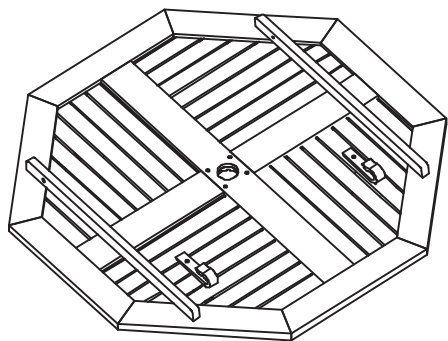


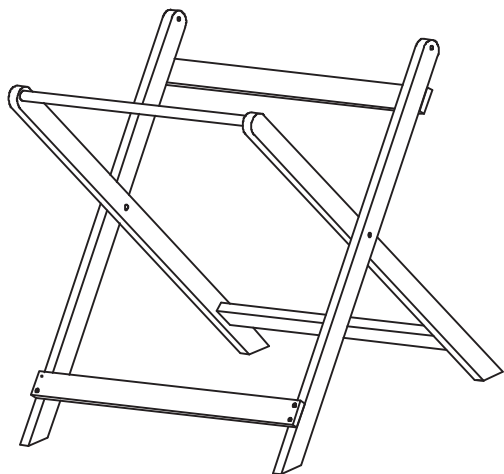


ASSEMBLY INSTRUCTION

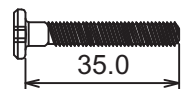
A=1pcs



B=1pcs



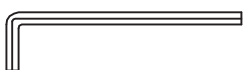
C=2pcs



D=2pcs



E=2pcs



F=2pcs

