





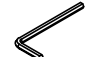
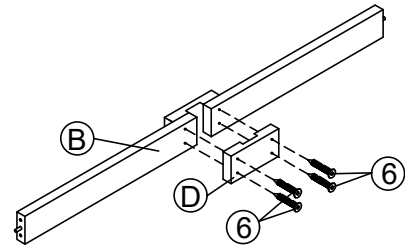
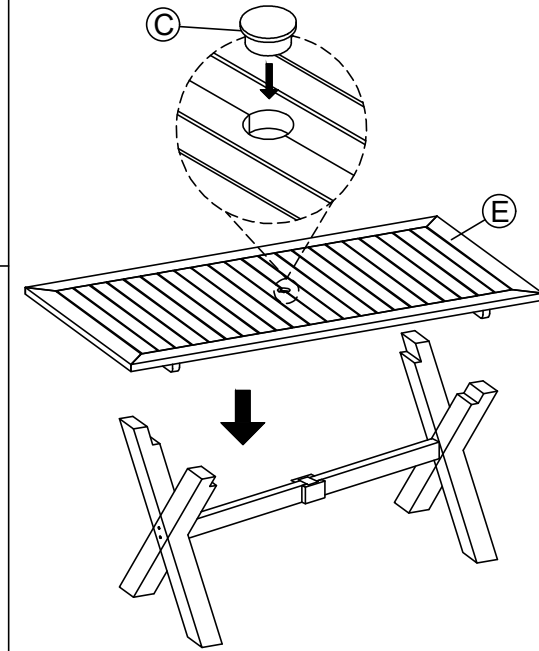


ASSEMBLY INSTRUCTION - X LEGS RECT TABLE

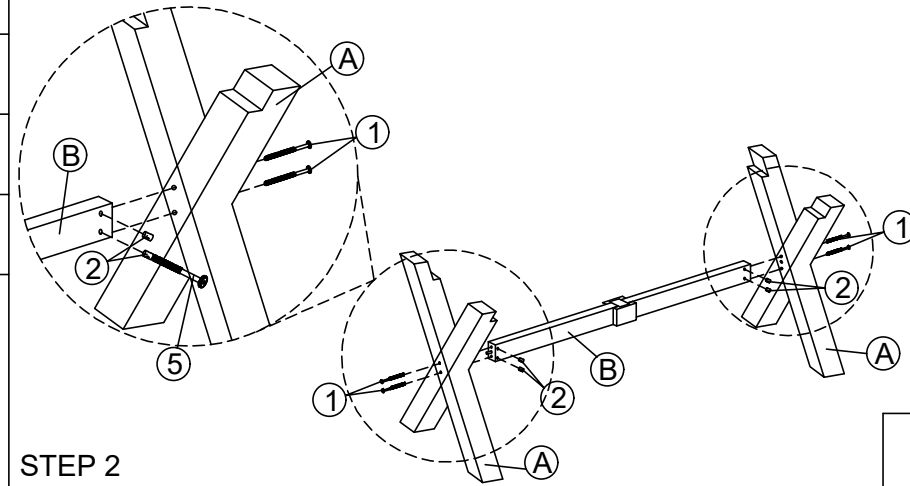
| No | LIST OF HARDWARE | FIG | Q.TY(pcs) |
|----|------------------|---|-----------|
| ① | Bolt M6x110 |  | 04 |
| ② | Insert Nut M6 |  | 04 |
| ③ | Bolt M6x80 |  | 04 |
| ④ | Nut 6x18x15 |  | 04 |
| ⑤ | Bolt M6x40 |  | 01 |
| ⑥ | Screw M4x40 |  | 04 |
| ⑦ | Allen Key |  | 01 |



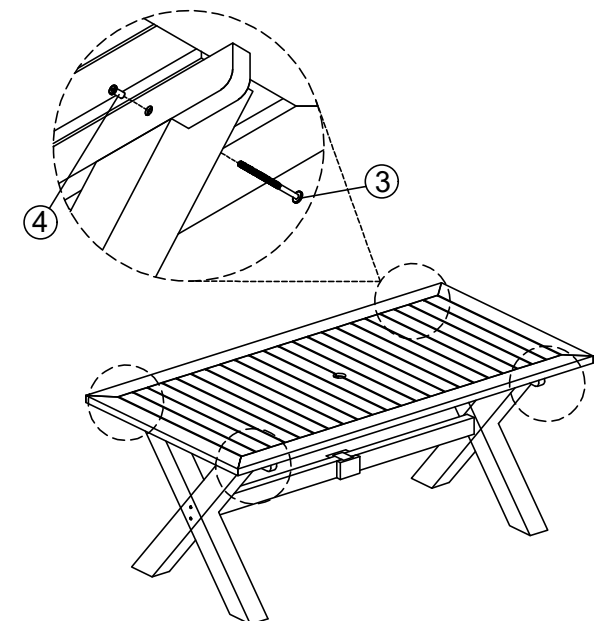
STEP 1



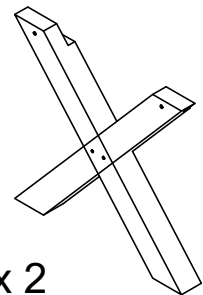
STEP 3



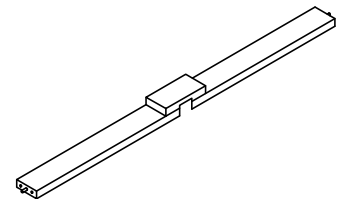
STEP 2



STEP 4



①x 2



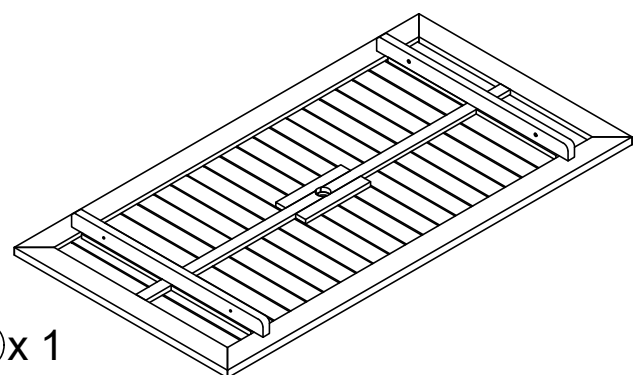
②x 1



③x 1



④x 1



⑤x 1

