
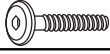
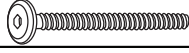




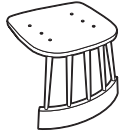
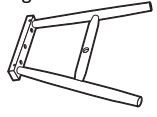
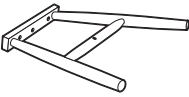
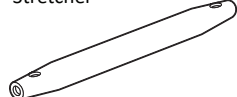
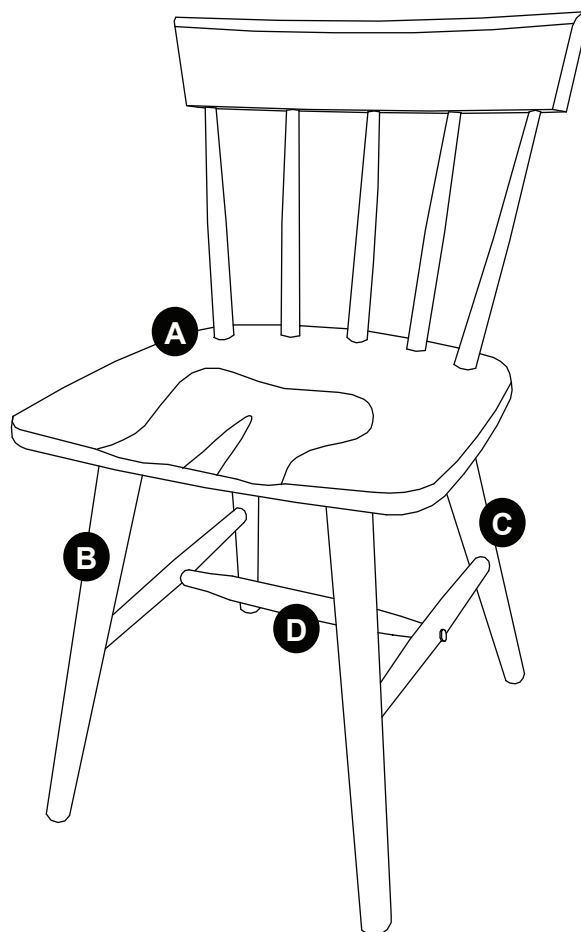


Wood Spindle Back Dining Side Chair w/Wood Seat

Examine all packaging material for small parts that may have come loose during shipment. Periodic checks are recommended to insure that all components are in proper position, tight and free from damage. Keep this assembly instruction for future reference. Adult assembly is required.

CODE	QTY	HARDWARE	
1	1	M4 x 110mm Allen Wrench	
2	6	M6 x 30mm JCBC Bolts	
3	2	M6 x 50mm JCBC Bolts	
4	8	1/4" Spring Washers	
5	8	M6 x 13mm Flat Washers	
6	2	M6 x 9.5 x 14mm Barrel Nuts	
7	2	∅14.5 x 9mm Wood Plugs	

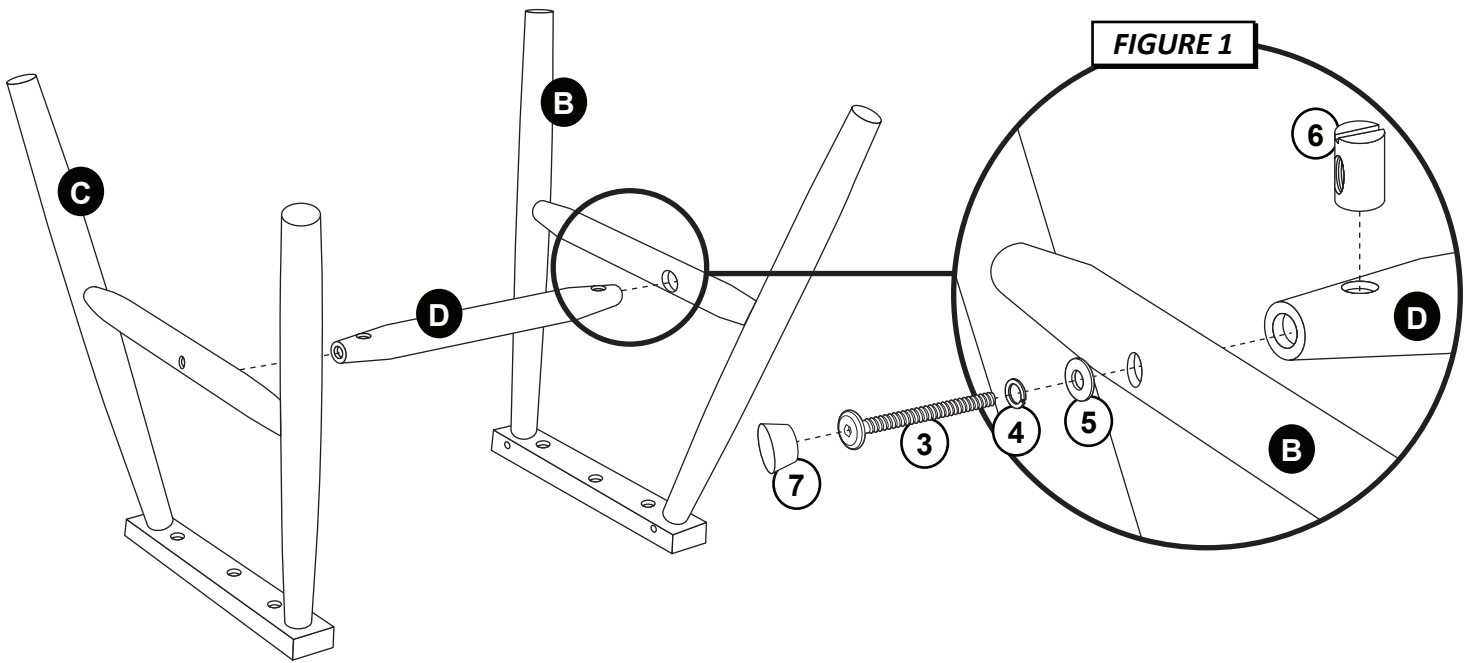
CODE	QTY	COMPONENTS	CODE	QTY	COMPONENTS
A	1	Seat 	B	1	Left Leg Panel 
C	1	Right Leg Panel 	D	1	Stretchers 



WARNING

- Do not let any sharp objects touch or rub the surface of the product.
- When assembling, do not let children play around the working area.
- Please confirm all parts are correct before starting the assembly process.
- Do not tighten all bolts and screws completely until the entire unit has been assembled and set up.
- Be careful if using power tools as they can over tighten screws and strip threads.

CARE & MAINTENANCE: The touch of a soft cloth is all the maintenance the finish will ever need. Please do not use harsh or abrasive cleaners for polishing, as they may cause damage to the finish. Periodic checks are recommended to make sure that all hardware is securely tightened.



STEP 1 - Figure 1

Begin assembly by attaching Stretcher (D) to Left and Right Leg Panels (B & C). Insert 1 Barrel Nut (6) into each side of Stretcher (D) and secure with 1 JCBC Bolt (3), 1 Spring Washer (4), and 1 Flat Washer (5) per side panel. Tighten bolts with Allen Wrench (1) provided. Add Wood Plug (7) after tightening.

STEP 2 - Figure 2

Attach leg assembly to Seat (A) using 6 JCBC Bolts (2), 6 Spring Washers (4) and 6 Flat Washers (5) per side. Tighten bolts with Allen Wrench (1) provided. The assembly is now complete.

