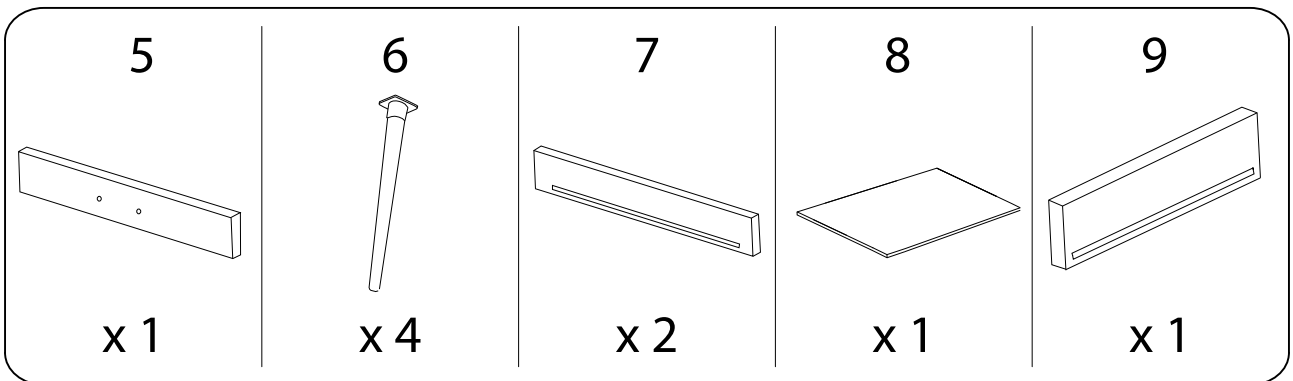
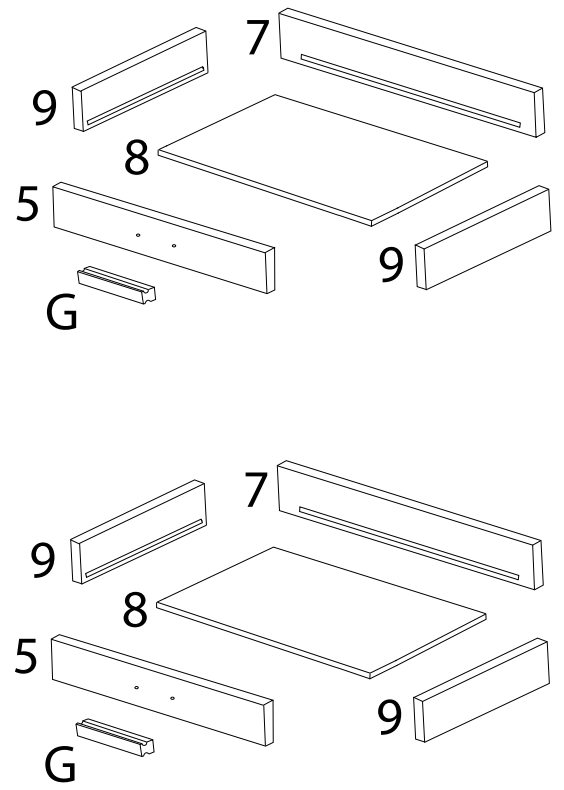
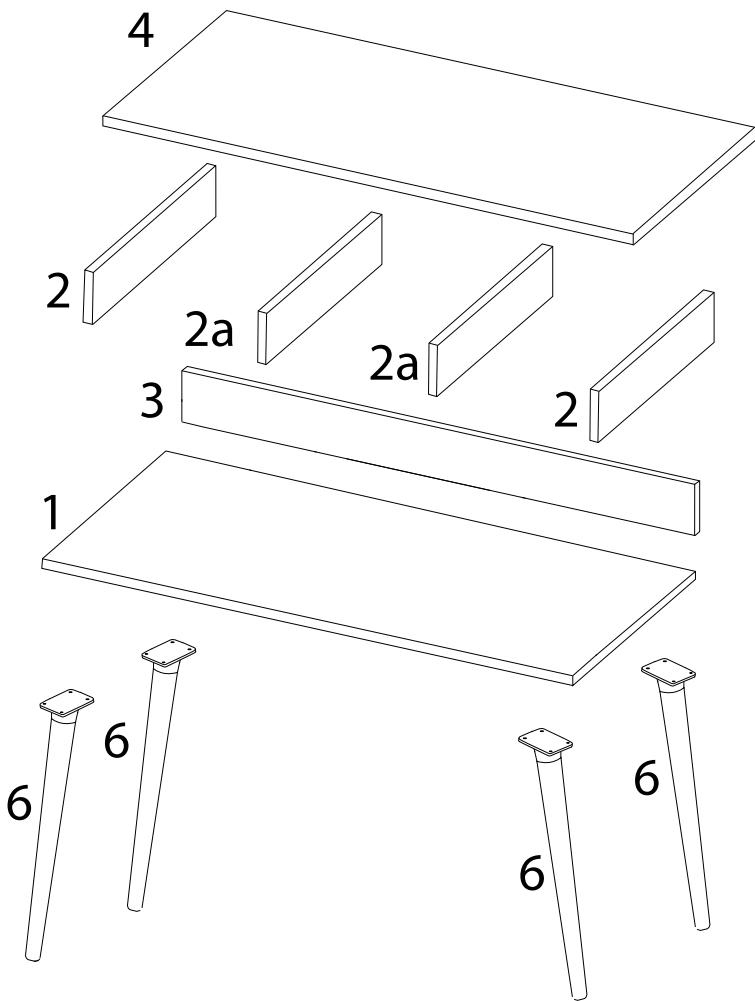
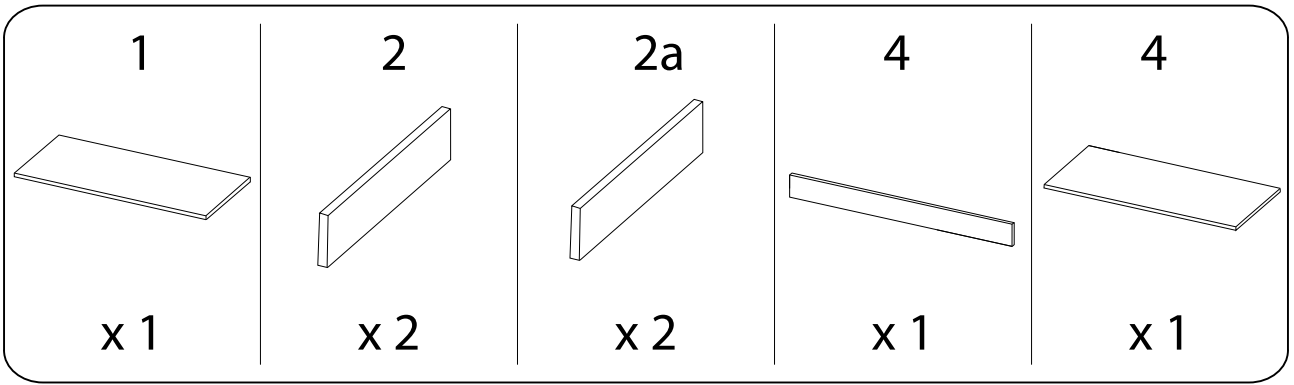
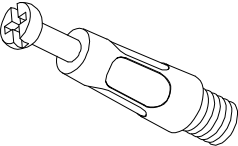
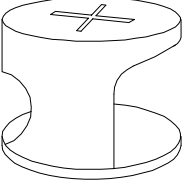
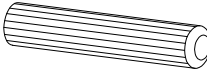
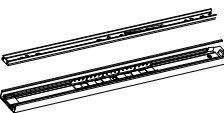
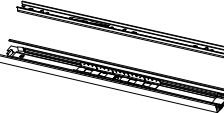
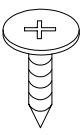
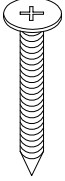
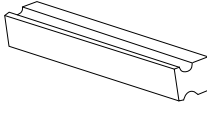
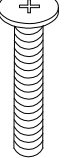
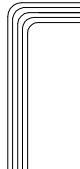
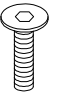
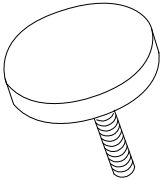


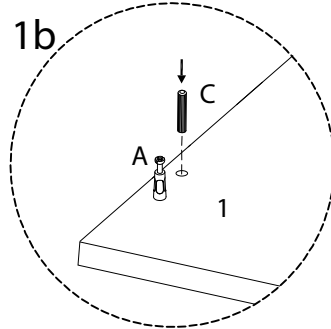
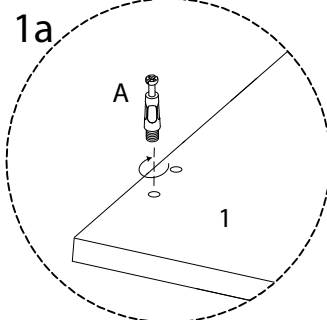
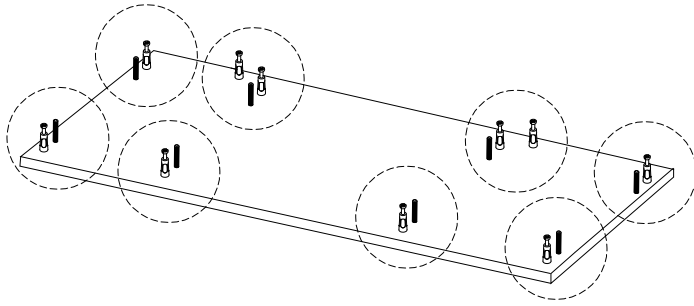
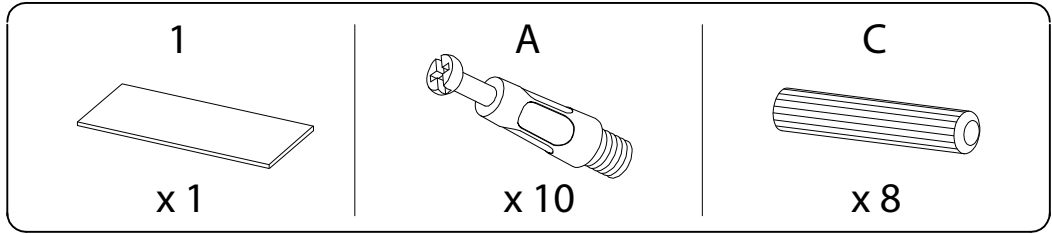
Assembly instructions for step 1/10:

- Tools:** A circle containing an Allen key, a hammer, and a screwdriver. A power drill is shown with a diagonal line through it, indicating it is not to be used.
- Warning:** A triangle with an exclamation mark.
- Time:** A clock icon with the text "60'" below it, indicating a 60-minute assembly time.
- Personnel:** A stick figure icon with the number "1" below it, indicating that one person is required for assembly.
- Diagram:** A circle showing a rectangular block being placed on a surface with a textured pattern. A second diagram shows the block being secured to the surface with a screw.

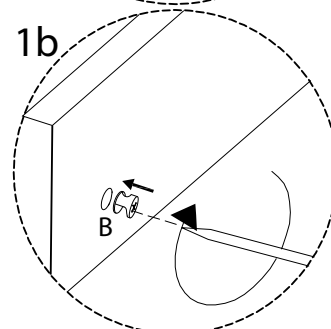
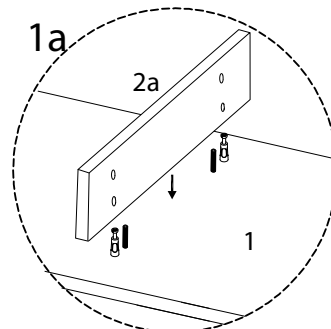
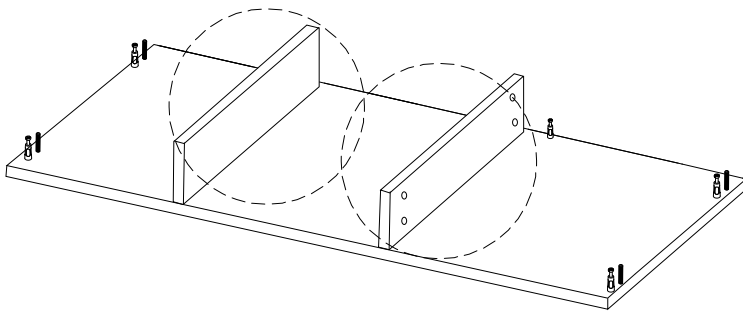
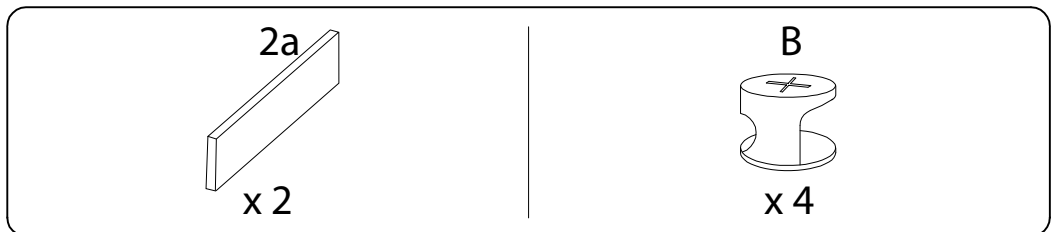


<p>A</p>  <p>x 30</p>	<p>B</p>  <p>x 30</p>	<p>C</p>  <p>x 16</p>	<p>D1</p>  <p>x 2</p>	<p>D2</p>  <p>x 2</p>
<p>E</p>  <p>M3.5 x 16</p> <p>x 16</p>	<p>F</p>  <p>M3.5 x 35</p> <p>x 8</p>	<p>G</p>  <p>x 2</p>	<p>H</p>  <p>M4 x 25</p> <p>x 4</p>	<p>I</p>  <p>x 1</p>
<p>J</p>  <p>M6 x 16</p> <p>x 16</p>		<p>K</p>  <p>x 4</p>		

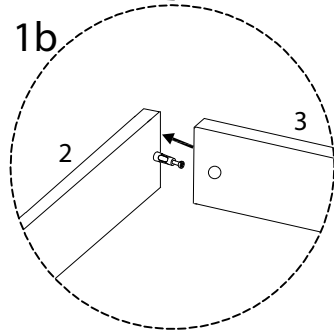
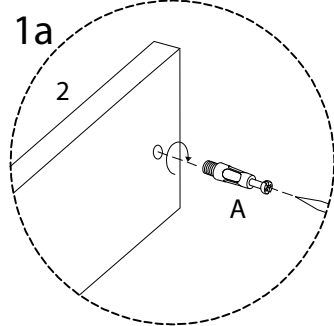
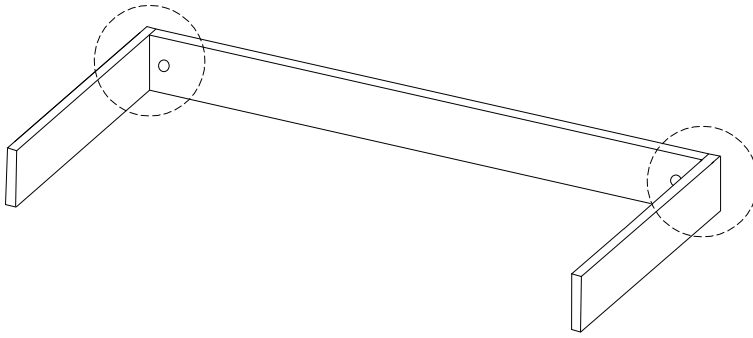
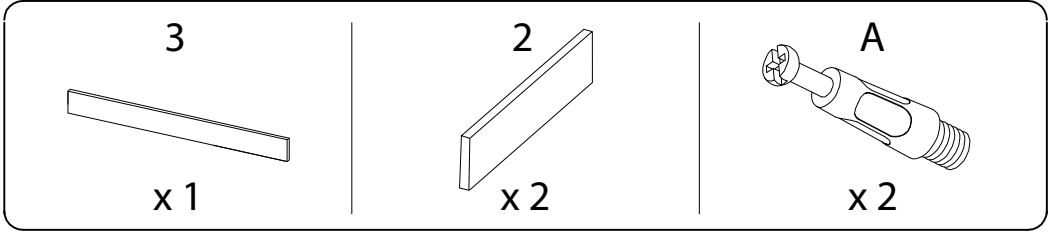
1



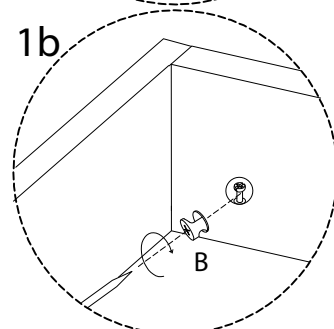
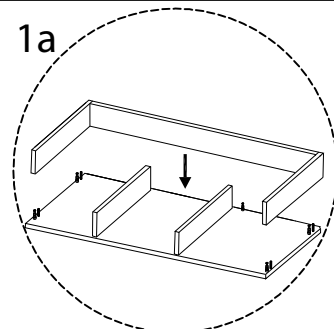
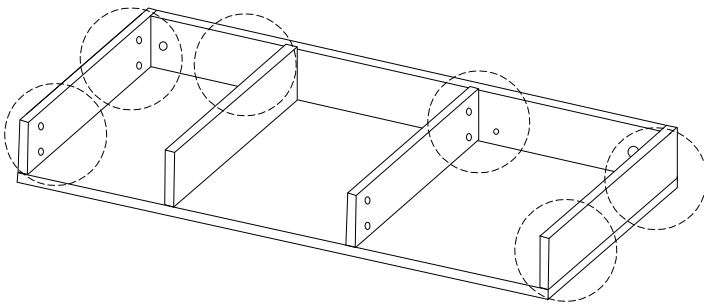
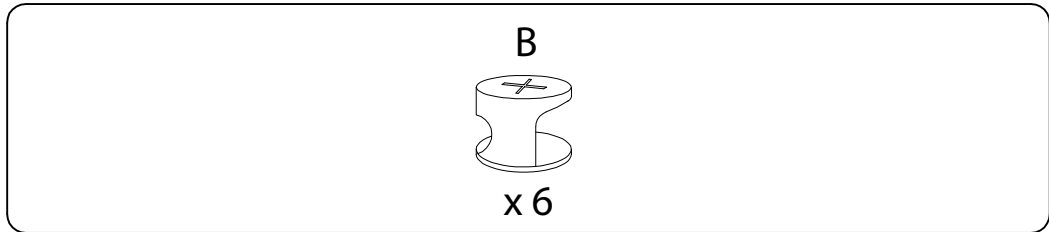
2



3

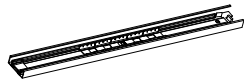


4



5

D1



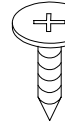
x 2

D2

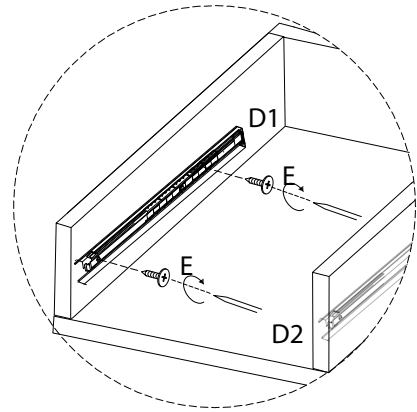
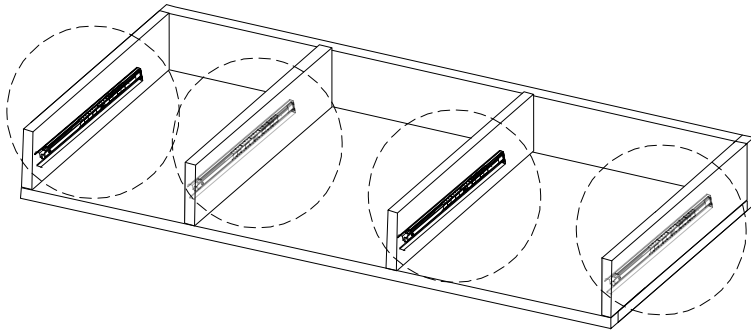


x 2

E

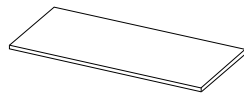


M5
x 16
x 8



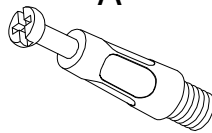
6

4



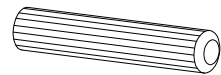
x 1

A

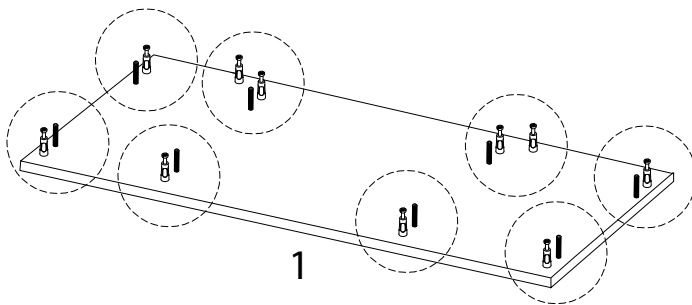


x 10

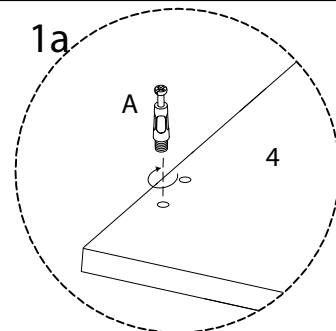
C



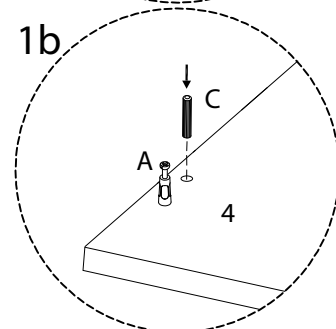
x 8



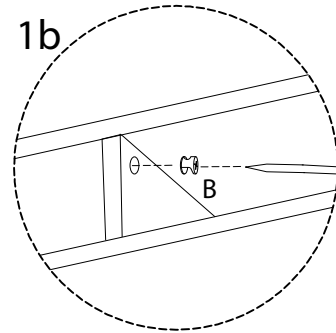
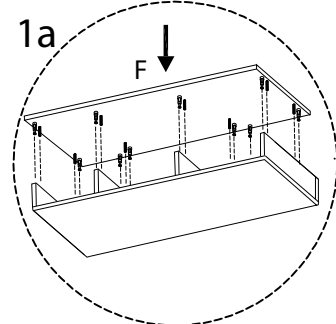
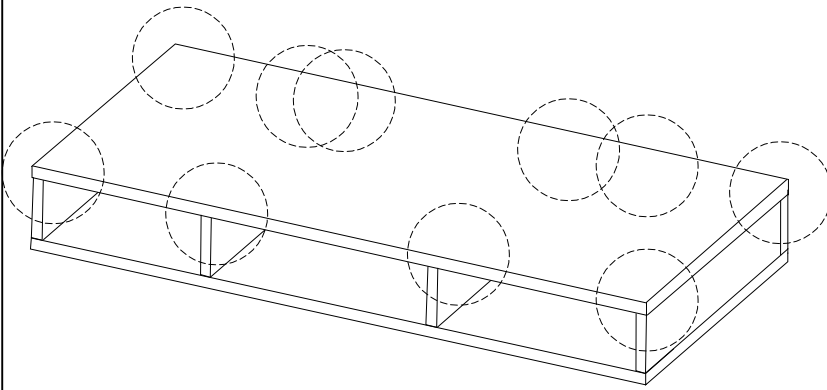
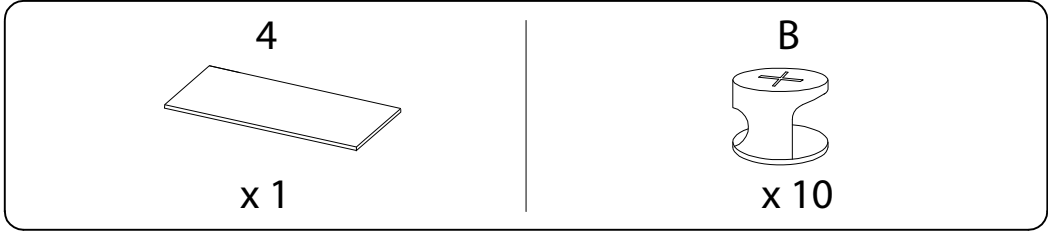
1a



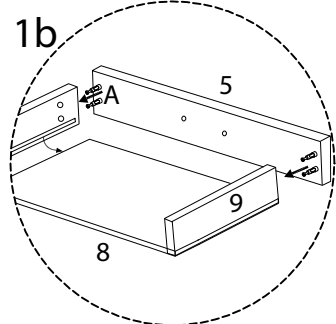
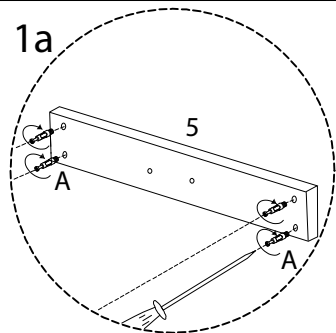
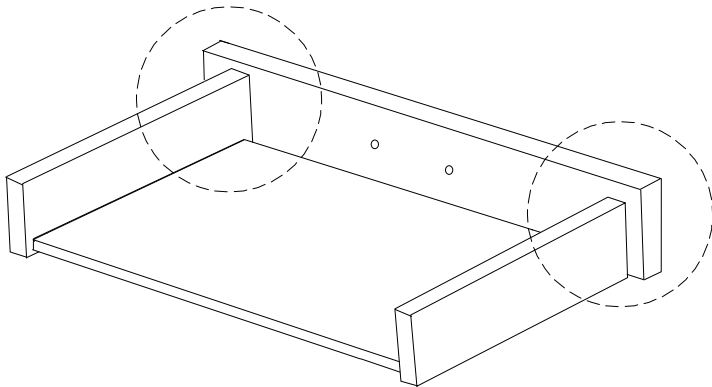
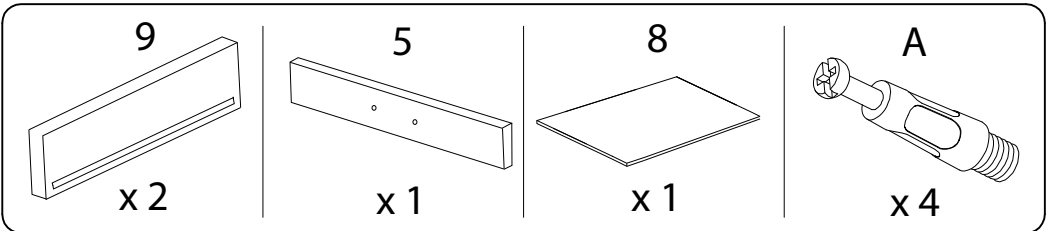
1b



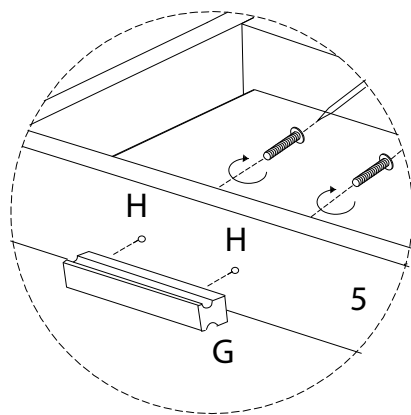
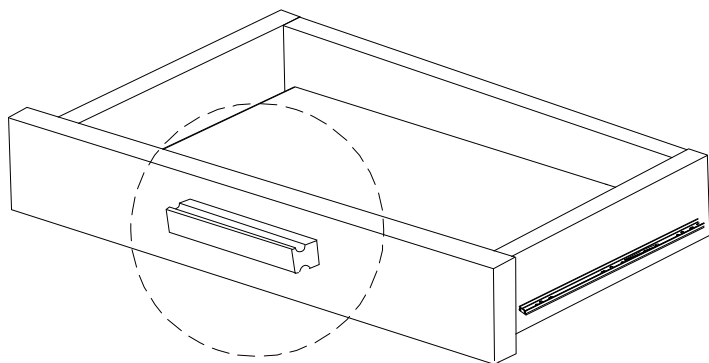
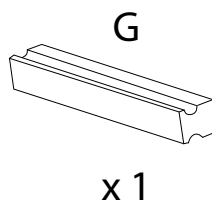
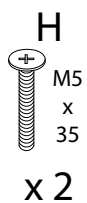
7



8 x 2



11 x2



12

