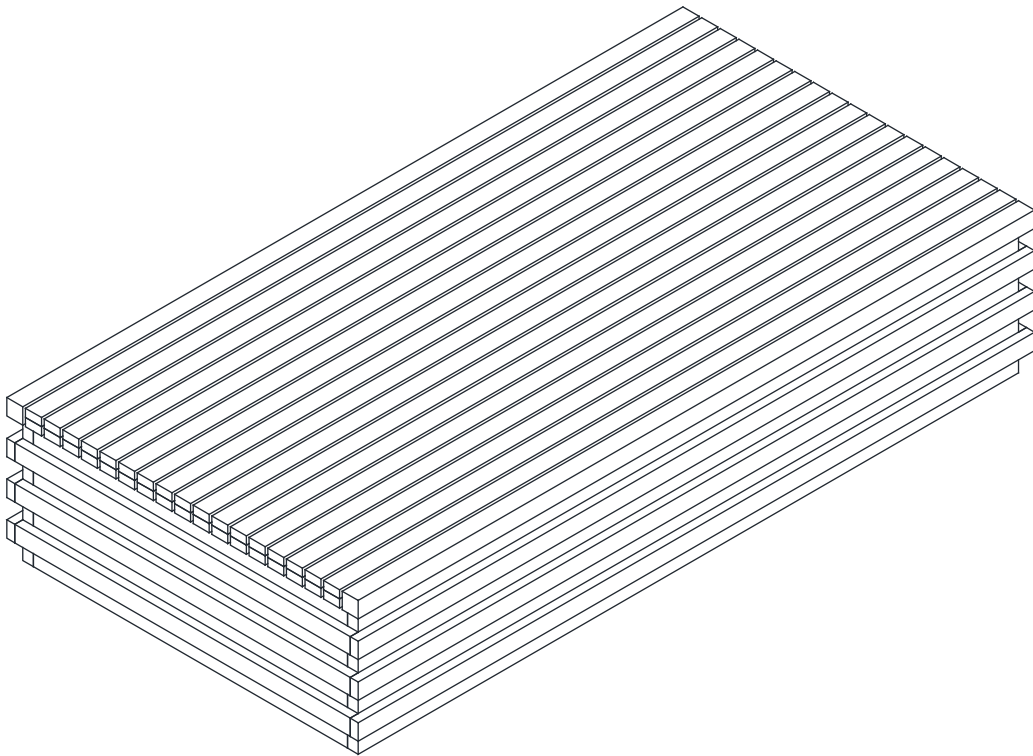


TORTUGA EUCALYPTUS PATIO COFFEE TABLE

DESIGN # CPT1046

Assembly Instructions



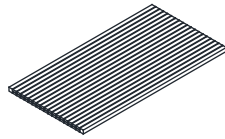
SAFAVIEH
C O U T U R E

Thanks for bringing Safavieh Couture into your home

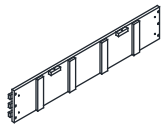
Everything We make is incredibly simple to set up, including your new dining chair. You won't need any additional tools.

Parts & hardware

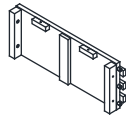
A x 1
Frame Top Table



B x 2
Frame Leg 1



C x 2
Frame Leg 2



HW1 x 8
Allen Screw: M6x0.5x35 mm



M6x35

HW2 x 8
Allen Bolt: M6x0.5x45 mm



M6x45

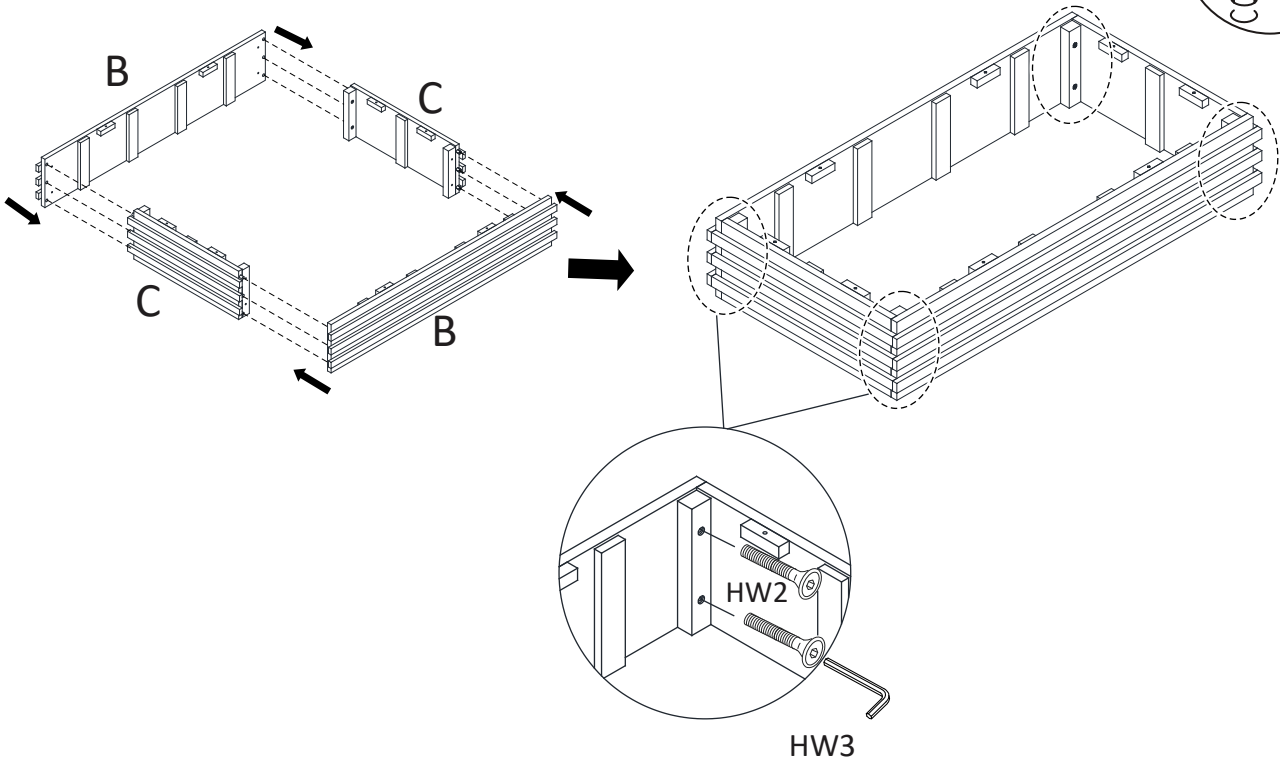
HW3 x 1
Allen key



LG4

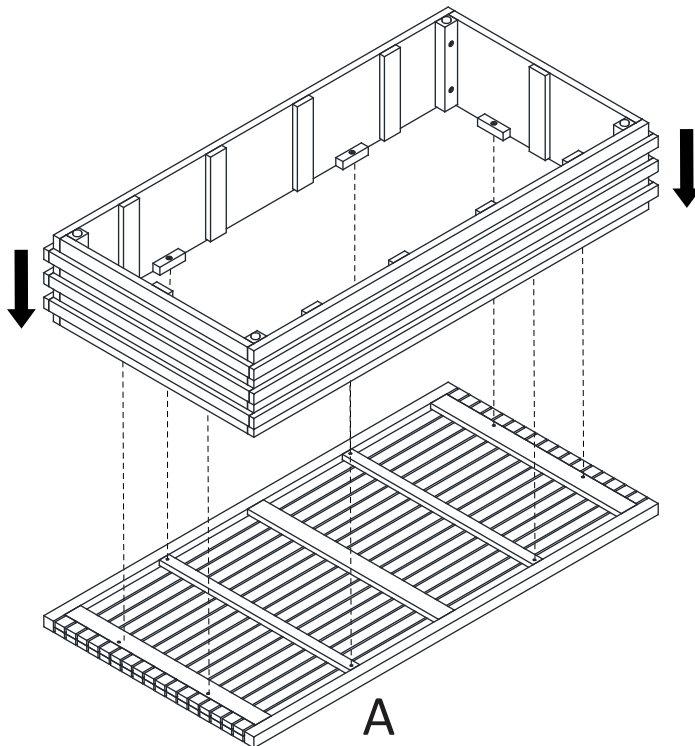
1

Attach Frame Leg 1 (B) to Frame Leg 2 (C)
use Bolts(HW1) tighten with Allen key (HW2) as shown above.



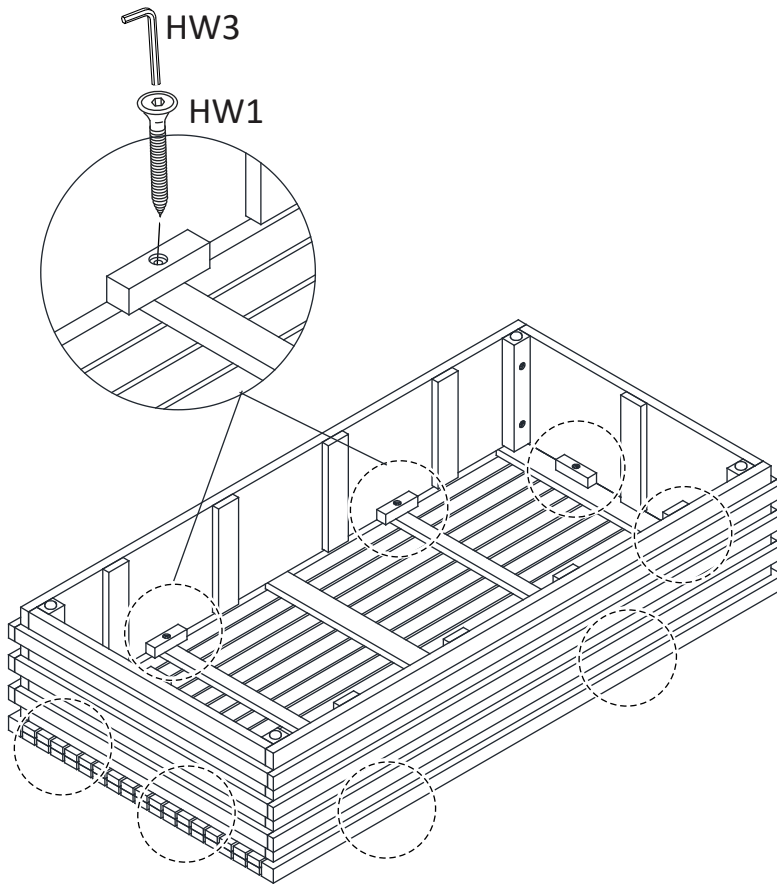
2

Attach Frame Leg to Frame Top Table (A) as shown above.



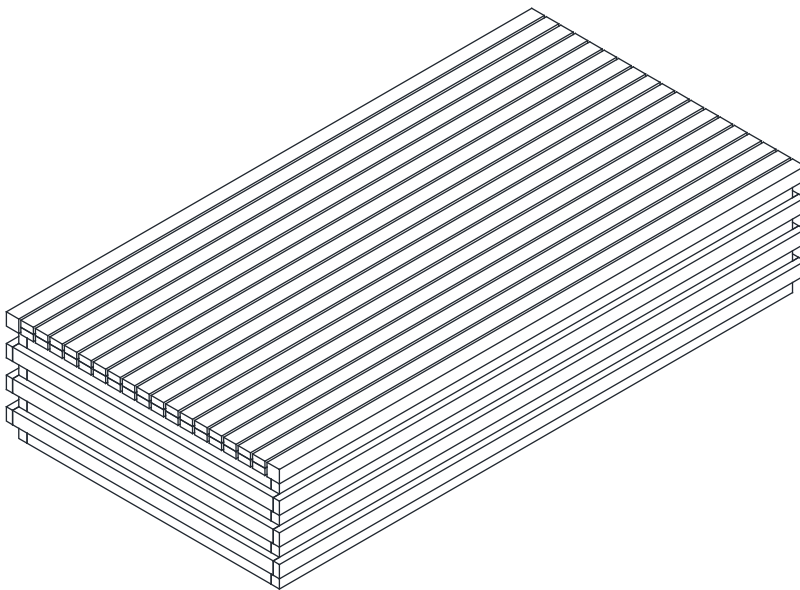
3

Use Screws (HW1) tighten with Allen key (HW3) as shown above.



4

Caution: This SideTable can only be used on a flat, level surface



Need help?

Feel free to contact us via email or call
If you have any specific question!

Contact us:

CS@safavieh.com
866-422-9070