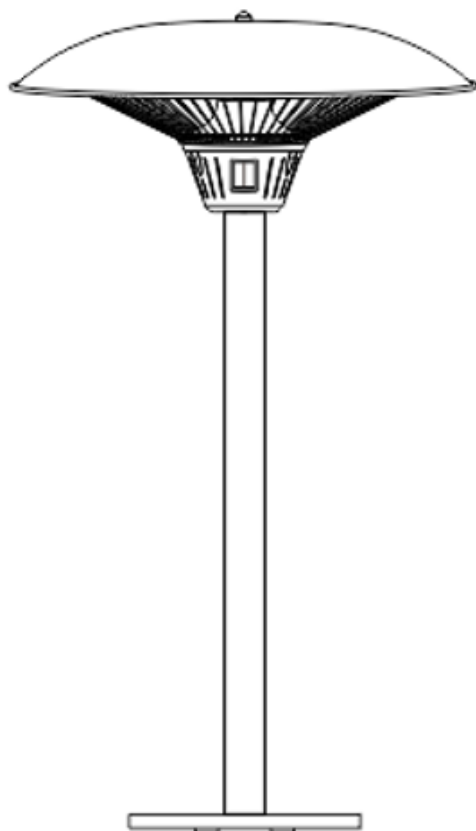


# ZANUSSI

---

## ZTTPTH5 Table Top Patio Heater Manual & Safety Instructions



**WARNING: PLEASE ENSURE YOU HAVE READ THROUGH THE SAFETY AND OPERATING INSTRUCTIONS BEFORE USE. PLEASE RETAIN INSTRUCTIONS FOR FUTURE REFERENCE**



Please scan the QR code for **step by step video assembly instructions**. Alternatively, you can visit: [zanussiheatingandcooling.uk](http://zanussiheatingandcooling.uk). From here, please select the product that you are looking to build and view the 'How To' video located at the bottom of the page.

For Customer Services & Spare Parts please call **0330 1230 597**  
Or visit us at [zanussiheatingandcooling.uk](http://zanussiheatingandcooling.uk)

# ZANUSSI

---

## PATIO HEATER

Safety Instructions	<b>3-8</b>
Parts List & Feature Diagram	<b>9</b>
Assembly	<b>10-14</b>
Operating Instructions	<b>15</b>
Maintenance & Care Instructions	<b>16</b>
Troubleshooting	<b>16</b>
Specification	<b>17</b>
Guarantee and Customer Services	<b>18</b>
Notes	<b>19</b>

# SAFETY INSTRUCTIONS

## **WARNING: IMPORTANT SAFETY INSTRUCTIONS**

### **READ CAREFULLY AND KEEP FOR FUTURE REFERENCE**

**Before you start to build and use your patio heater, please read these instructions thoroughly:**

- Please dispose of all plastic bags carefully and keep them away from children.
- Check all the parts provided against the list in this instruction manual to make sure you have all of the parts listed. If not, contact your customer services.
- Take a few moments to familiarize yourself with the contents and before starting, check all holes are clear of any paint residue.
- Extra packaging is added to some models for transportation protection which must be removed before assembly.
- When you are ready to start, make sure that you have plenty of space and a clean dry area for assembly.
- Using the steps in order and the detailed drawings in the steps to assemble the outdoor heater.
- **Important** - Whilst every care is taken in the manufacture of this product, care must be taken during assembly in case sharp edges are present.

**Please read and follow this advice when assembling your appliance:**

- **DO NOT** connect the outdoor heater to the electrical supply until the assembly is complete.
- **DO NOT** connect the outdoor heater to the electrical supply if any of the components or power cord is damaged in any way.
- **CAUTION** - Risk of Electric Shock. **DO NOT** open or try to repair the heater yourself.

# SAFETY INSTRUCTIONS

## WARNING: IMPORTANT SAFETY INSTRUCTIONS

### READ CAREFULLY AND KEEP FOR FUTURE REFERENCE

- Please do not use substitute parts. Use only additional or replacement parts supplied by Zanussi.
- In the unlikely event that this product has missing or damaged parts, please visit our website **zanussiheatingandcooling.uk**

#### **Safety Warnings:**

- **Warning:** This heater is not equipped with a device to control the room temperature.
- **DO NOT** use this heater indoors or in small/confined spaces that are occupied by persons not capable of leaving on their own, unless constant supervision is provided.
- Children of less than 3 years should be kept away unless continuously supervised.
- Children under 8 years shall not plug in, regulate and clean the appliance or perform user maintenance.
- This appliance is not intended for use by persons (including children) with reduced physical, sensory or mental capabilities or lack of experience and knowledge of how to use the appliance in a safe way or do not understand the hazards involved.
- Children should not play with the appliance.
- Cleaning and user maintenance should not be made by children without supervision.
- Do not use any other tools other than those recommended to build this product.
- **Caution:** Some parts of this product can become very hot and cause burns. Particular attention must be given where children, vulnerable people and animals are present.

- For floor mounted heaters only use the heater on a firm solid horizontal area where all the feet on the base are in contact with the floor (Should the heater be tilted or fall over the auto cut off switch will activate).
- Risk of Electric Shock. DO NOT open or try to repair the heater yourself.
- Any maintenance or repairs including replacing the tube(s) should only be carried out by a qualified electrician or by a qualified service centre.
- Site the heater outside or in a large open area and well away from any obstructions such as branches or where the heater is near any objects that can be affected by heat, such as furniture, curtains or other inflammable objects (minimum distance 1 metre).
- **DO NOT** use this heater in the immediate surroundings of a bath, a shower or a swimming pool. Do not use near water.
- **DO NOT** use in unventilated areas.
- **DO NOT** use where gas, petrol, paint or other surely flammable goods are stored.
- **DO NOT** push any items through, obstruct or cover the grill of the heater head.
- **DO NOT** position immediately above or below an electrical socket.
- **DO NOT** move when connected to an electrical supply and always wait for the patio heater to cool down before cleaning / storing away.
- **DO NOT** touch the heater head when in use.
- **DO NOT** leave turned on and unattended especially when children and or animals are in the vicinity.
- The indication of the different positions of switches shall be visible from a distance of 1M.
- The marking concerning covering should be visible after the heater has been installed. It shall not be placed on the back of portable heaters

- The unit must be placed with the clearance of 25cm from side wall and 50cm from anything above.
- The unit must be correctly installed according to the instructions.
- The unit is at high temperature during operation. It keeps hot for a period after shut down. Potential danger would occur when touching it during this period. Unplug the unit and wait till it cools before cleaning.
- **DO NOT** place the unit close to curtain and/or other flammable objects. Otherwise there will be a danger of catching fire.
- **DO NOT** cover the unit with anything during operation or a short time after it is shut down.
- **DO NOT** wrap the power supply cord on the unit.
- The unit must be handled with care, and avoid vibration or hitting.
- An apparatus with CLASS I construction shall be connected to a MAINS socket outlet with a protective earthing connection.
- **DO NOT** use if the unit or power cable is damaged.
- **DO NOT** attempt to repair or adjust any electrical or mechanical functions on this unit. Doing so will void your warranty. The inside of the unit contains no user serviceable parts. Servicing / Repair should only be performed by a qualified electrician or qualified service centre.
- **DO NOT** use this unit in place where causticity or volatile air exists, i.e. dust, steam, gas, etc.
- **DO NOT** use this unit as a cloth drier or towel drier.
- **DO NOT** use this unit as a sauna heater.
- **DO NOT** use this unit as a room heater.
- **DO NOT** use this unit in place of animal propagating and raising.

- **DO NOT** immerse this unit into water for cleaning.
- The unit should be plugged in a socket, which is easily visible and reachable.
- **DO NOT** use this heater with a programmer, timer or any other device that switches the heater on automatically, since a fire risk exists if the heater is covered or positioned incorrectly.
- Children should be supervised to ensure that they do not play with the appliance.
- When assembling, keep clear from any board or flammable material.
- **DO NOT** insert or allow foreign objects to enter any ventilation or exhaust opening as this may cause an electric shock or fire, or damage the heater.
- The unit is for household use only. It is not safe to use on a building site, greenhouse, barn or stable where there's flammable dust.
- Use only for intended household use as described in this manual. Any other use not recommended by the manufacturer may cause fire, electric shock, or injury to persons. The use of attachments not recommended or sold by unauthorized dealers may cause hazards.
- Avoid the use of an extension cord because the extension cord may overheat and cause a risk of fire. However, if you must use an extension cord, the cord shall be rated to 13A (Minimum conductor size 1.5mm<sup>2</sup>) and if the cord is on a reel it must be fully unwound before use.
- Disconnect the power cable from the electrical supply when the heater is not in use. If the power cord becomes damaged, it must be replaced by a qualified electrician.

- One dark point may exist on the surface of the heating elements during the first few minutes after it is turned on. This is normal, and will not affect the performance of the unit.
- To avoid fire or shock hazard, plug the unit directly into a 220-240V and 13A electrical socket outlet
- **WARNING!** These appliances must be earthed. Before installing or replacing the bulb, the appliance must be disconnected from the 220-240V mains supply.
- Generally the heater must be placed at a safe distance (clear space) of at least 2.0m from combustible materials and glass walls. If installed near where inflammable or combustible paints are used, the heater must be installed at a distance of at least 4.0m from the source of danger.
- If the heater is placed in areas where spray painting of any description is taking place, it should not be used during the painting operations.
- Never use the heater in particularly dusty and explosive areas.

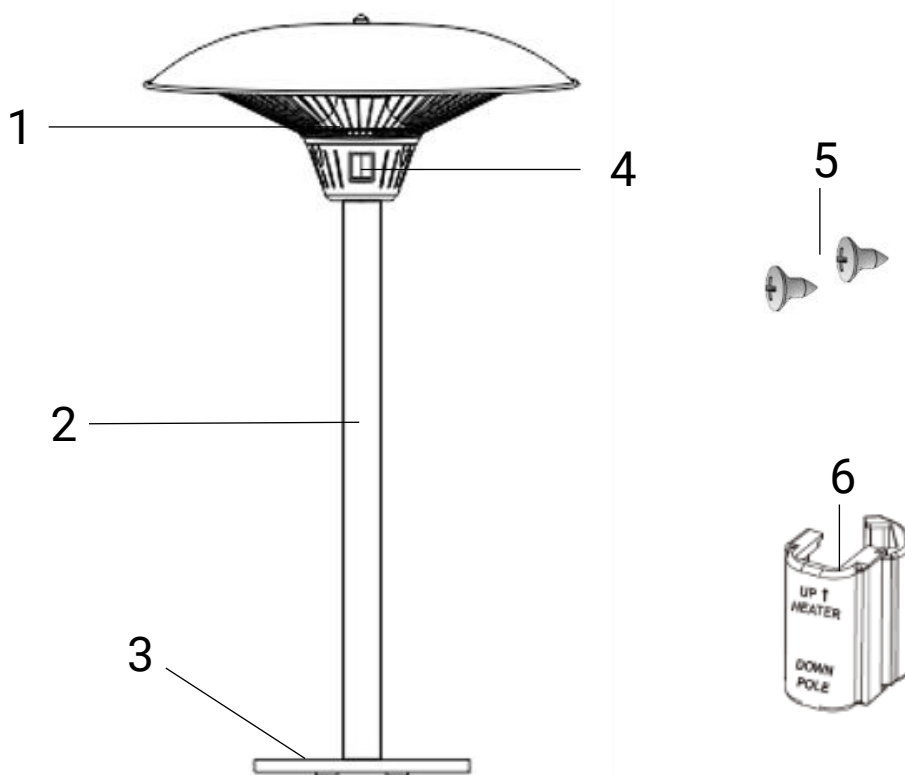
### **IMPORTANT NOTE:**

#### **Tip Over Switch**

- This appliance is fitted with an internal tip over switch, this means if the unit is tilted more than 45 degrees the unit will automatically turn off.
- This is a safety feature and is designed to prevent damage, fire and personal injury.
- If the unit is put back in the upright position the unit will automatically turn on and will operate as normal.

# WHAT'S INCLUDED?

Here's everything you need



1. Heater head
2. Pole
3. Weighted base
4. Power switches
5. 2 x Screws ( $\Phi 4 \times 8$ )
6. Cable connector cover

You will also need (not included):

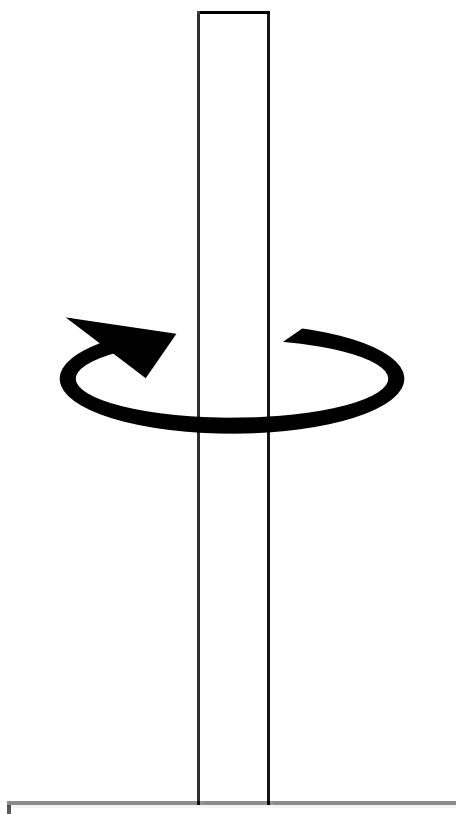


Phillips head  
screwdriver

# ASSEMBLY

## STEP 1

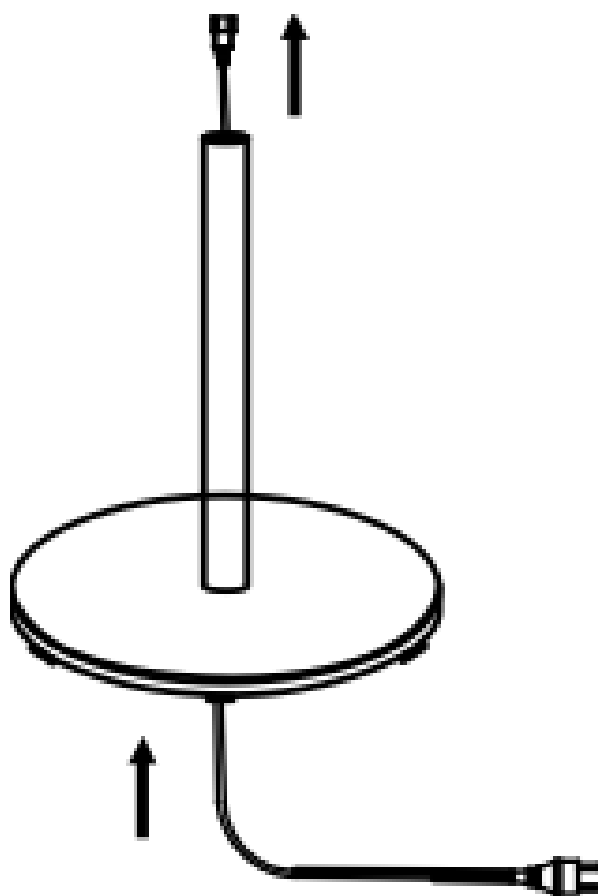
- Fix the tube onto the weighted base by screwing in the direction shown below.



# ASSEMBLY

## STEP 2

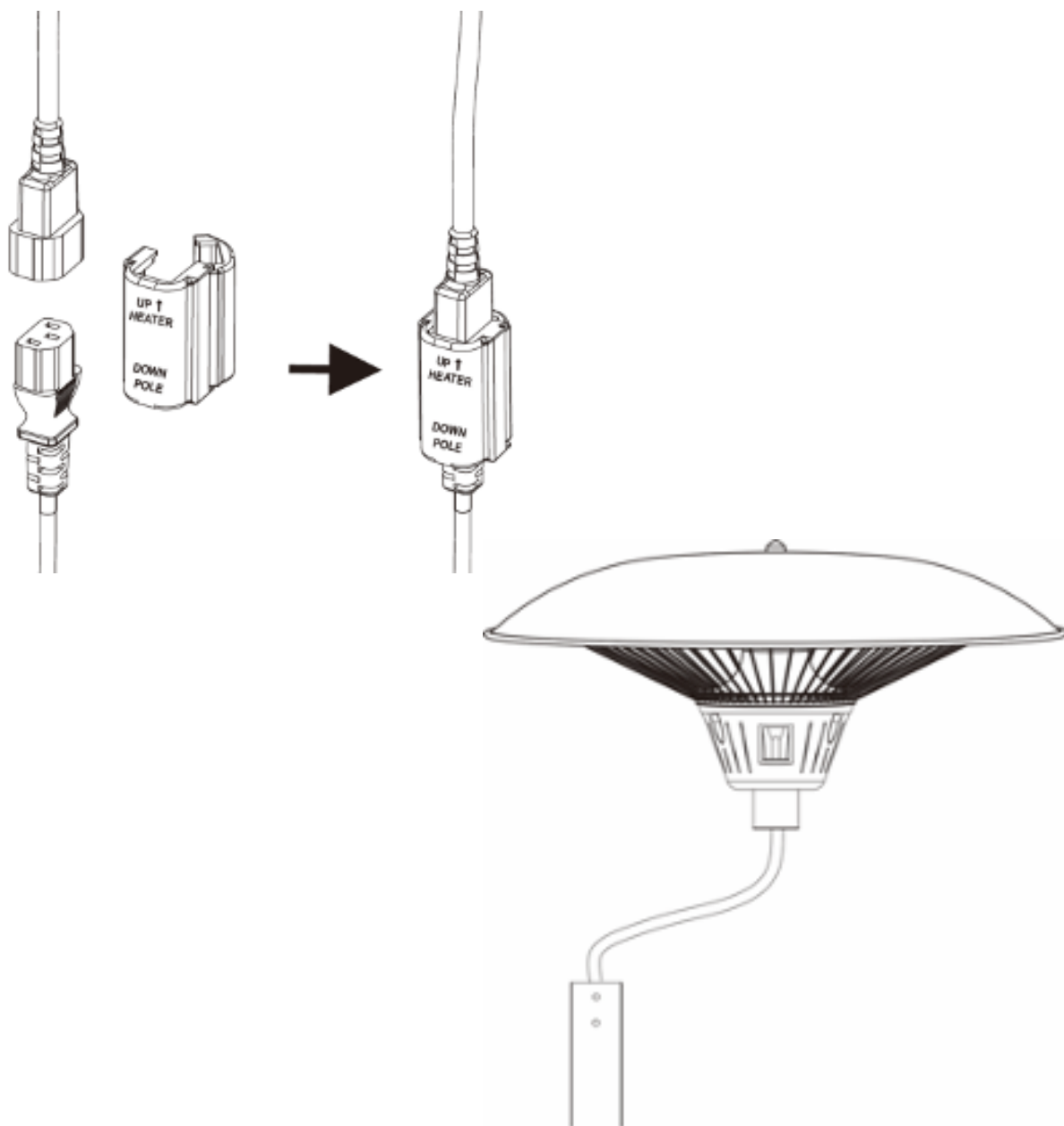
- Feed the power cord through the base and the pole.



# ASSEMBLY

## STEP 3

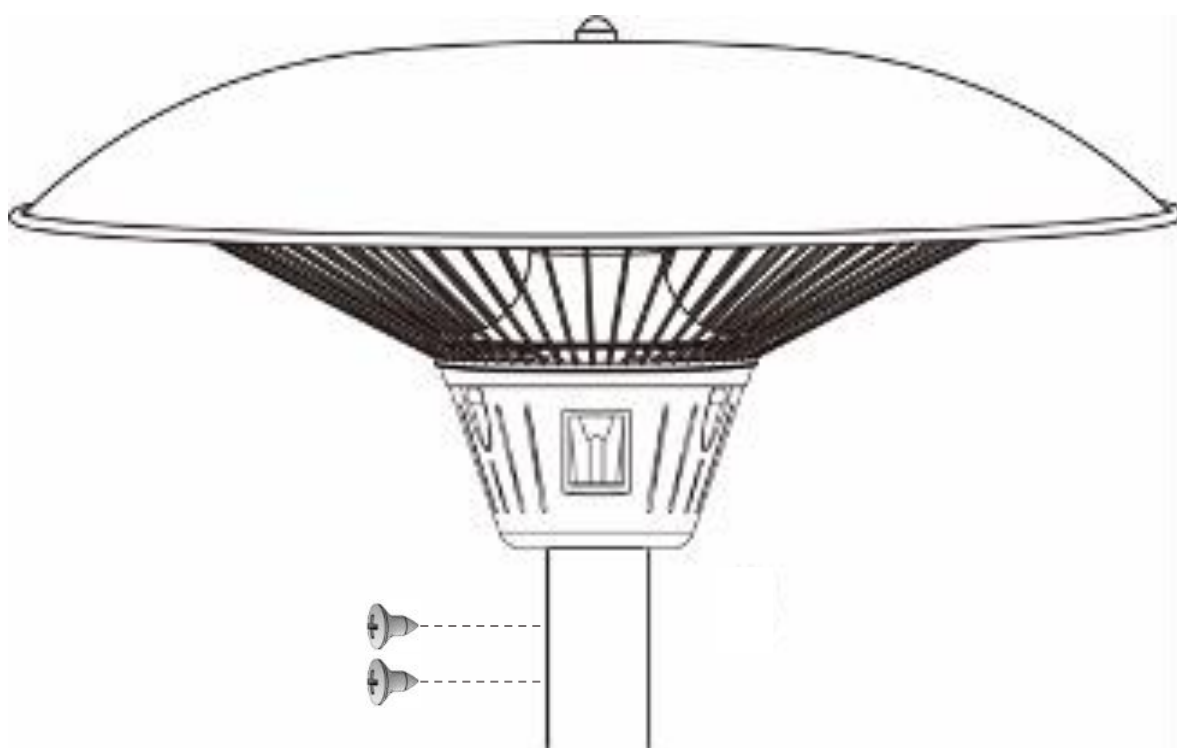
- Connect the power cord plug to the socket in the heater head.
- Then attach the connector cover.



# ASSEMBLY

## STEP 4

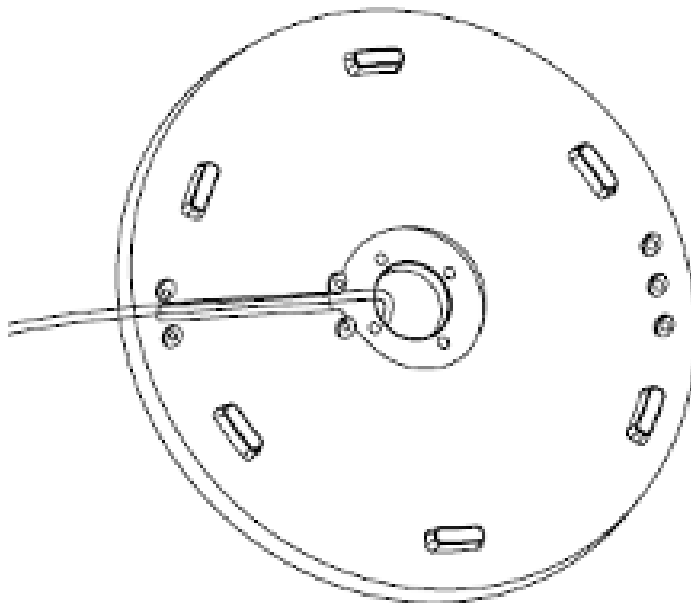
- Push the heater head onto the pole and fix in position using the 2 screws provided and a Phillips head screwdriver.



# ASSEMBLY

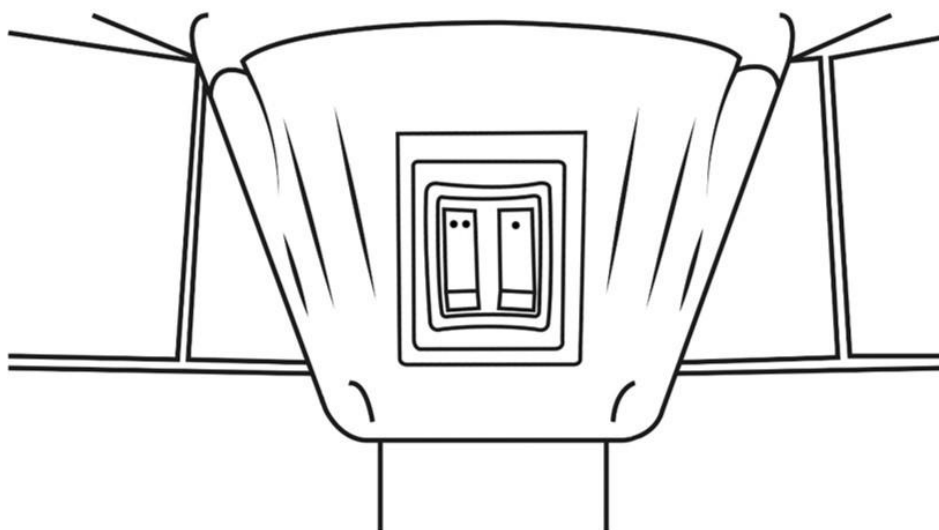
## STEP 5

- Pull the power cord gently out of the base as much as possible.
- Fix the power cord under the weighted base using the 4 X M4 nuts already attached to the weighted base.



# OPERATING INSTRUCTIONS

- Connect the power cable to a 220-240V, 13 amp supply that is located in a safe, dry area.
- The heater must be properly installed before it is used.
- Only operate the heater when it is in the upright position.
- This unit is equipped with three heat settings.



- The switches on the heater head are used to control the heat settings:
  - Turn on the (•) switch to operate the heater at 900W.
  - Turn on the (••) switch to operate the heater at 1200W.
  - Turn on both switches (•&••) to operate the heater at 2100W (MAX).
  - Turn all the switches to the off position to turn off the heater.
- **WARNING:** Although the table top heater is shower proof, do not use when raining or in wet conditions.
- **WARNING:** Always disconnect the power cable from the electrical supply when the parasol heater is not in use.

# MAINTAINANCE & CARE INSTRUCTIONS

**WARNING:** Ensure the appliance is cold before storing.

- Unplug the unit and let it cool completely.
  - When disconnected from the electrical supply, clean the outside of the patio heater with a damp cloth. Never use corrosive or solvent cleaners or immerse in water.
  - Any maintenance or repairs including replacing the halogen tube should only be carried out by a qualified electrician or by a qualified service centre.
- Storage
- If the heater will not be used for a long period of time, store it in a cool, dry location when not in use. To prevent dust and dirt build-up, use the original packaging to repack the unit

## TROUBLESHOOTING

If the heater will not operate, please check the following before seeking repair of service:

PROBLEM	POSSIBLE CAUSE/SOLUTION
Heater will not operate	<ul style="list-style-type: none"><li>• Check if the power cord is plugged into an electrical outlet, if not plug in</li><li>• Check if electricity to the main fuse is working.</li><li>• Make certain the power switches are turned on. If not, choose a setting</li><li>• Try another mains socket.</li></ul>

# SPECIFICATION

Power supply:	220-240V, 50-60Hz
Wattage:	2100W (max)
Insulation class:	I
IP rating	IP44
Dimensions (CMs)	81(H) x 50(W) x 50(D)

# GUARANTEE AND CUSTOMER SERVICES

This product is guaranteed for **12 months** from the date of the original purchase. If any defect arises due to faulty materials or workmanship, the faulty product must be returned to the place of purchase.

Refund or replacement is at the discretion of the retailer.

## **The following conditions apply:**

- The product must be returned to the retailer with the original proof of purchase.
- The product must be installed and used in accordance with the instructions contained in this instruction guide and any other instructions for use which are supplied.
- It must be used for domestic purposes only and for its intended use.
- This guarantee does not cover wear and tear, damage, misuse or consumable parts.

**This does not affect your statutory rights.**

For Customer Services & Spare Parts please call: **0330 1230 597**

Or visit us at **[zanussiheatingandcooling.uk](http://zanussiheatingandcooling.uk)**

# NOTES

This page is intentionally blank.

# ZANUSSI

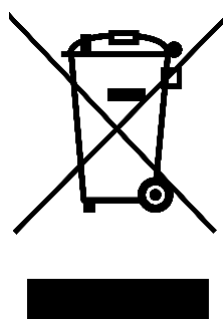
---



ZANUSSI is a registered trademark used under license from AB Electrolux (publ). Made by Product Care Trading Limited, Wigan, WN2 4AY/ PCT (NI) Ltd, Belfast, BT5 5AD.

For Customer Services & Spare Parts please call: **0330 1230 597**  
Or visit us at **zanussiheatingandcooling.uk**

UK  
CA



The 'wheeie bin' symbol is known as the 'Crossed-out wheeie bin Symbol'. When this symbol is marked on a product/batteries, it means that the product/batteries should not be disposed of with your general household waste. Only discard electrical/ electronic/battery items in separate collection schemes, which cater for the recovery and recycling of materials contained within. Your co-operation is vital to ensure the success of these schemes and for the protection of the environment. For your nearest disposal facility, visit [www.recycle-more.co.uk](http://www.recycle-more.co.uk) or ask in store for details.

SEDEX – Connecting businesses and their global suppliers to share ethical data and enabling improvement in ethical performance. Visit [www.sedex.org.uk](http://www.sedex.org.uk) for further information.

We reserve the right, due to possible changes to design, to alter the instruction manual without prior notice.