
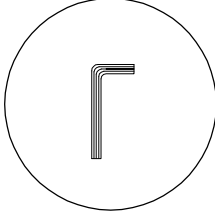
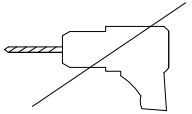
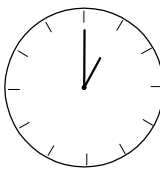

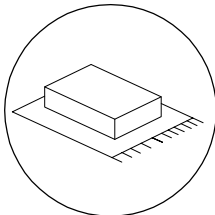
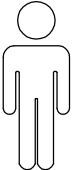
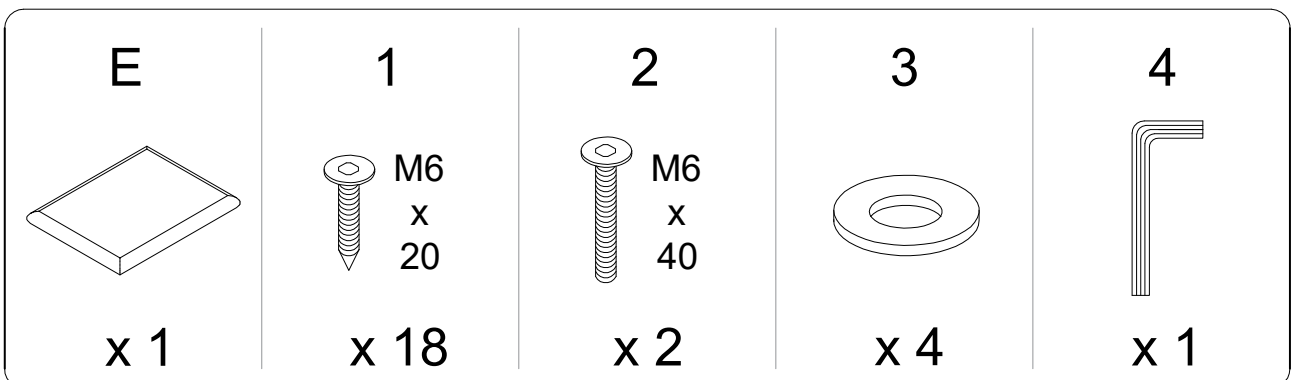
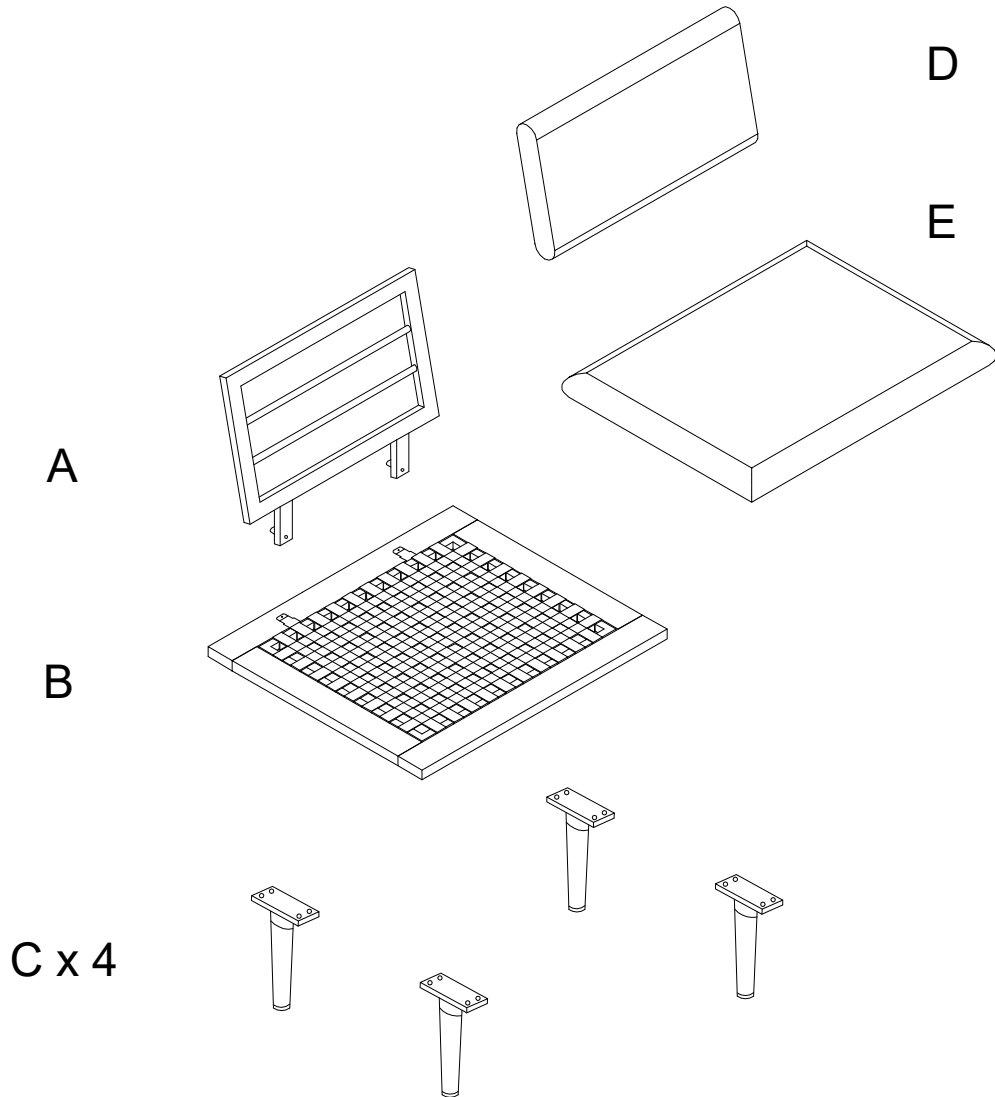
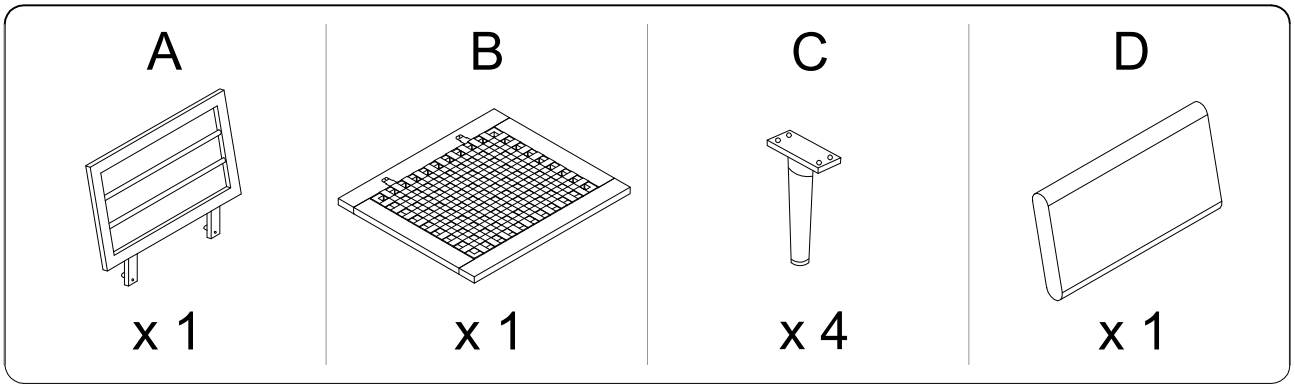


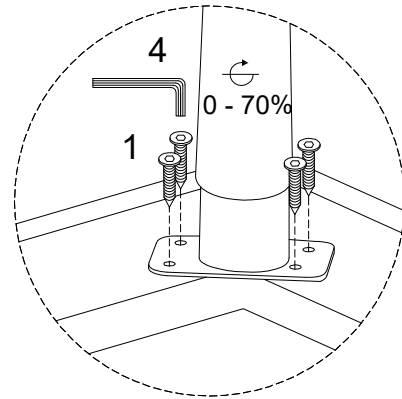
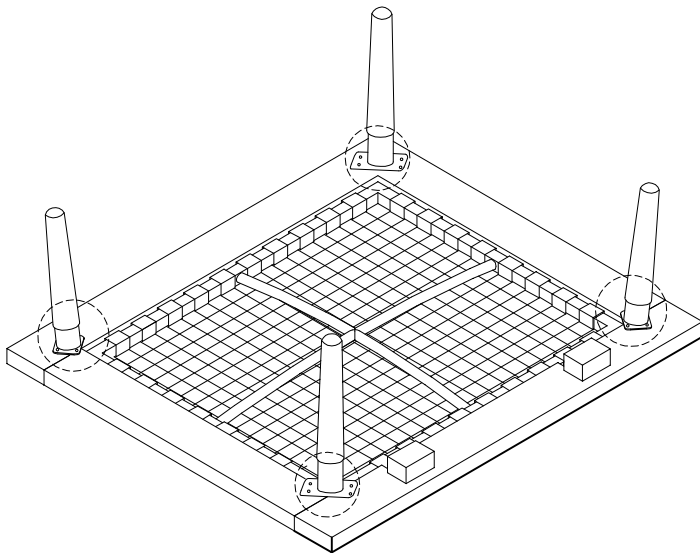
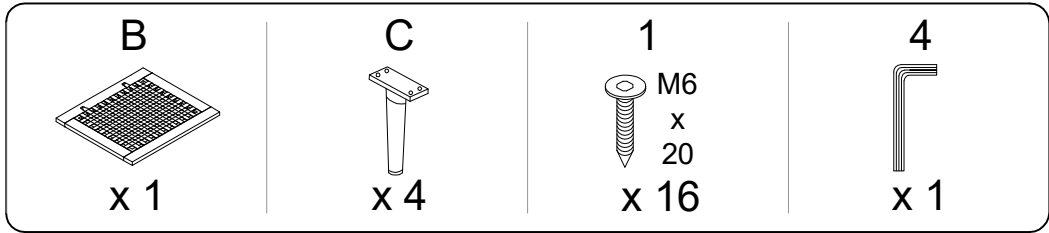
Assembly instructions and warnings:

-  A warning icon consisting of an exclamation mark inside a triangle.
-  An icon of an L-shaped bracket inside a circle.
-  An icon of a power drill with a diagonal slash through it, indicating that a power drill should not be used.
-  An icon of a clock face.
- 60'** Estimated assembly time.
-  A warning icon consisting of an exclamation mark inside a triangle.
-  An icon of a rectangular block on a surface with a diagonal slash through it, indicating that the block should not be placed on the surface.
-  An icon of a person.
- 2** Number of people required for assembly.

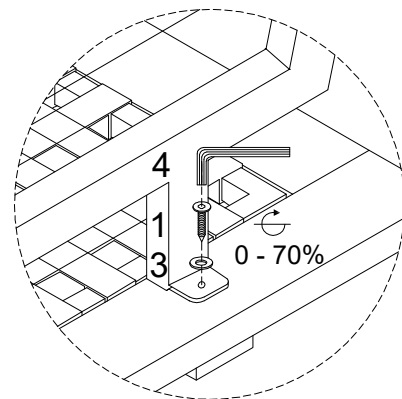
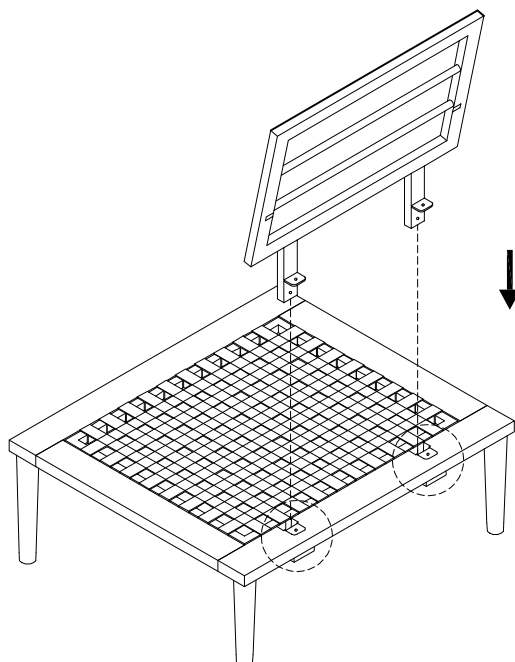
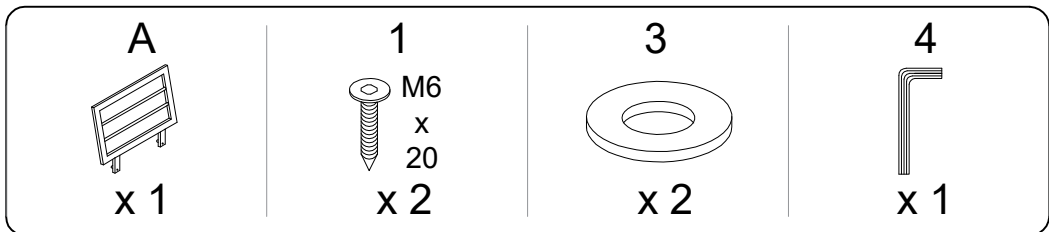
A x 4



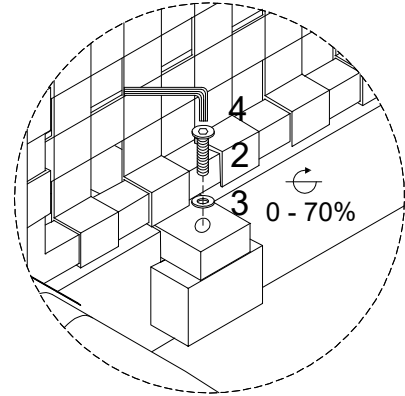
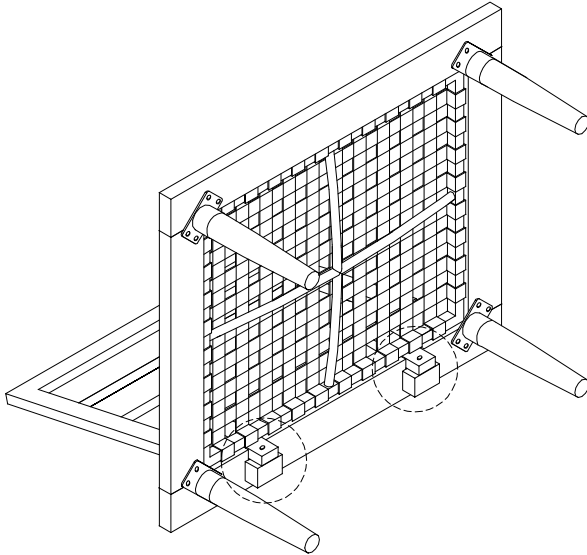
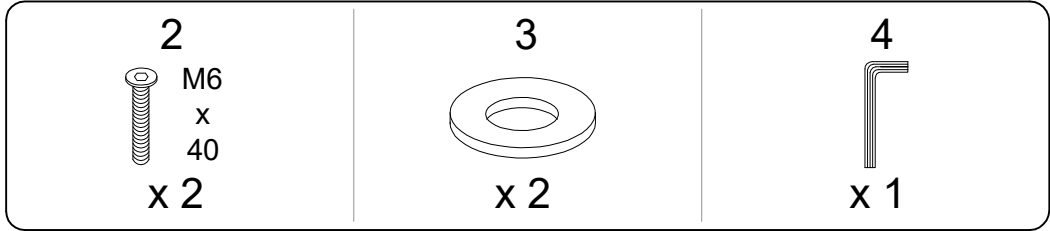
1



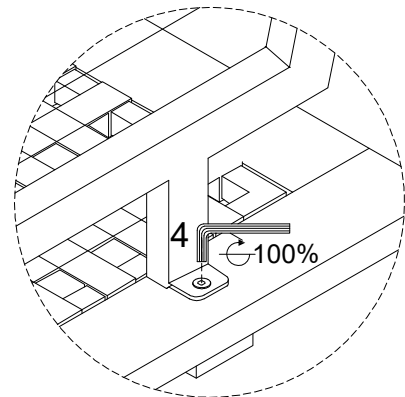
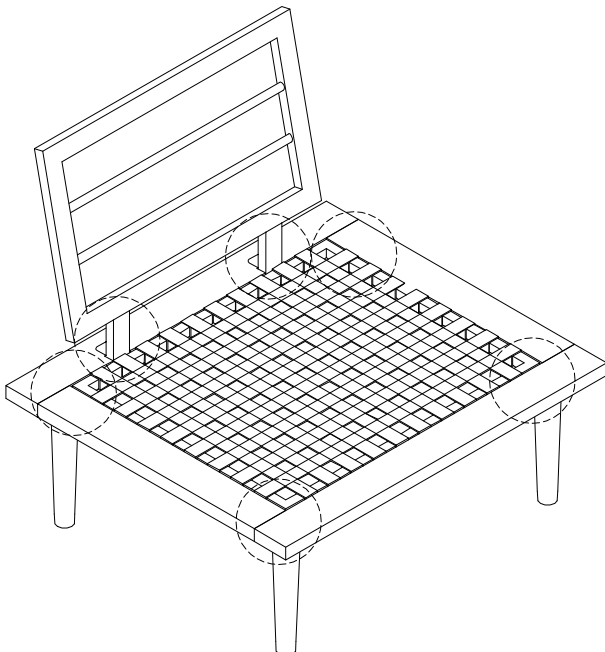
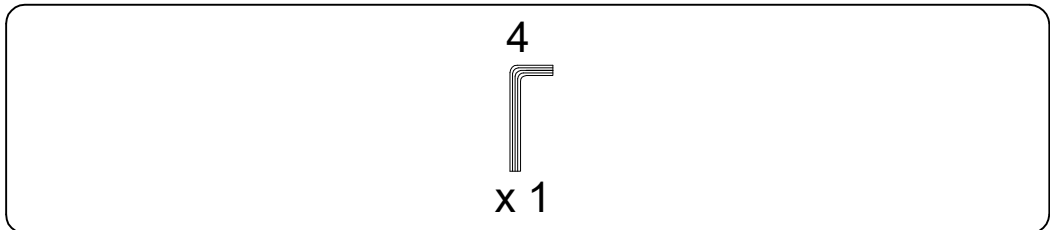
2



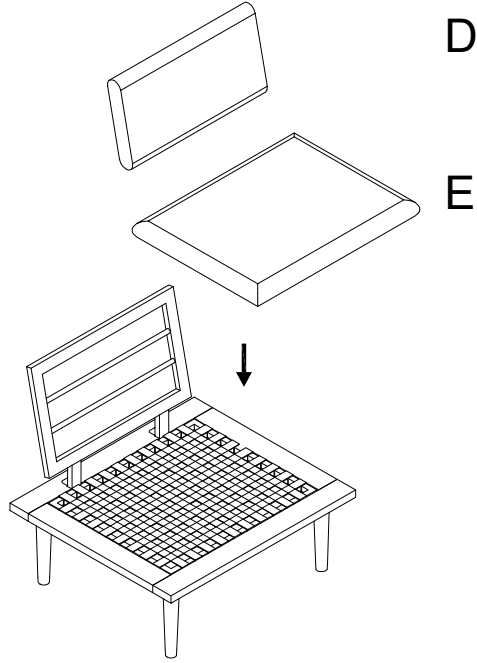
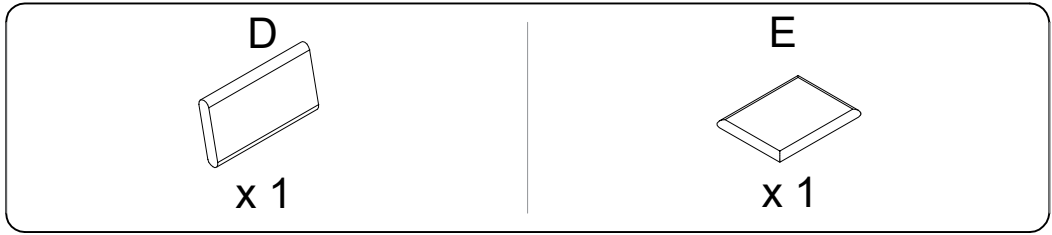
3



!

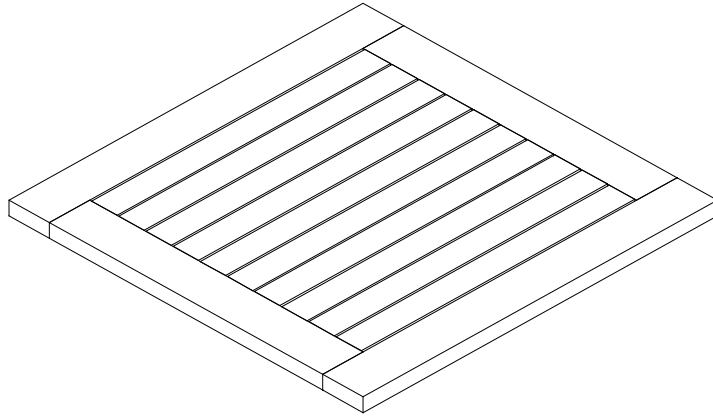


4

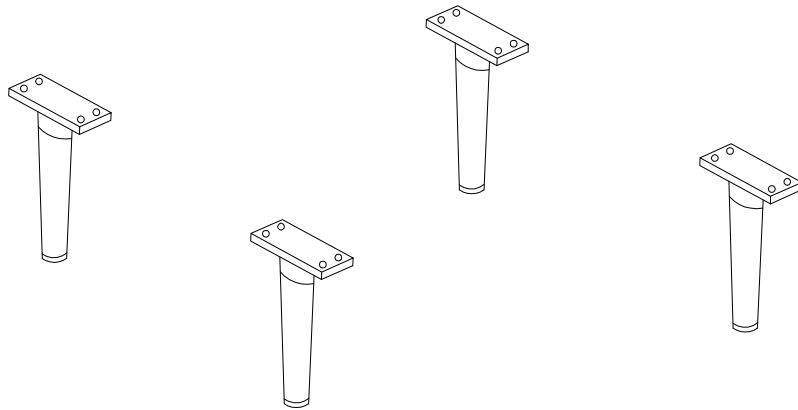


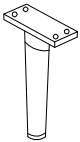
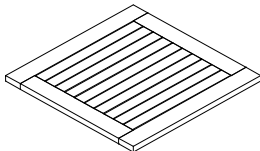
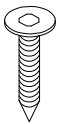

B x 2

H

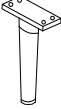
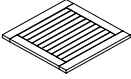
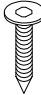
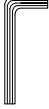


C x 4



C	H	1	4
			
x 4	x 1	M6 x 20 x 16	x 1

1

<p>C</p>  <p>x 4</p>	<p>H</p>  <p>x 1</p>	<p>1</p>  <p>M6 x 20</p> <p>x 16</p>	<p>4</p>  <p>x 1</p>
---	---	--	---

