

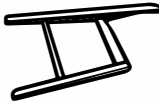
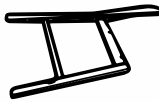












# ASSEMBLY INSTRUCTION

Thank you for purchasing this quality product. Be sure to check all packing materials carefully for small parts, which may have come loose inside the carton during shipment. Identify and count all items and compare with the parts list and/or hardware list shown below.

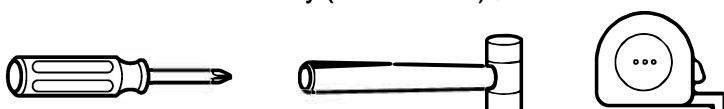
## CAUTION

1. Do not fully tighten the nuts or bolts until the table is fully assembled.
2. Please tighten by hand, not by a drill. Overtightening will damage threads. Do not overtighten.
3. Keep all hardware out of the reach of children.

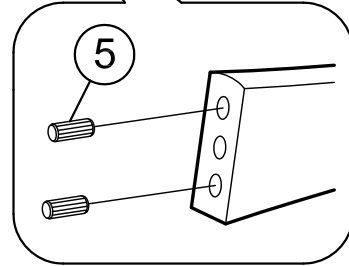
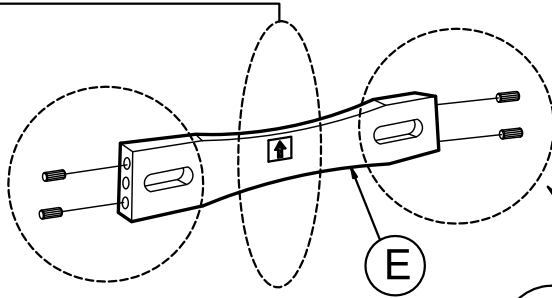
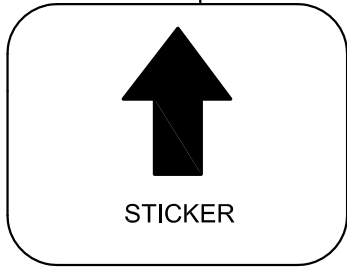
| PARTS LIST |   |       |
|------------|---|-------|
| NO         | DESCRIPTION   | QTY   |
| A          | CHAIR HEAD               | 2 PCS |
| B          | CHAIR SEAT               | 2 PCS |
| C          | SIDE LEG (LEFT)          | 2 PCS |
| D          | SIDE LEG (RIGHT)        | 2 PCS |
| E          | APRON                  | 4 PCS |
| F          | LOWER SIDE STRETCHERS  | 4 PCS |

| HARDWARE LIST |   |        |
|---------------|---|--------|
| NO            | DESCRIPTION   | QTY    |
| 1             | JCBC M6 x 50MM                     | 8 PCS  |
| 2             | JCBC WOOD SCREW M7 x 25MM (BLACK)  | 8 PCS  |
| 3             | SPRING WASHER 5/16"                | 8 PCS  |
| 4             | CSK M4 x32MM                       | 8 PCS  |
| 5             | DOWEL M8 x 30MM                    | 20 PCS |
| 6             | PAN HEAD SCREW #8 x 1 1/2"         | 8 PCS  |
| 7             | DOWEL M6 x 30MM                    | 4 PCS  |
| 8             | ALLEN KEY (LONG)                   | 1 PC   |

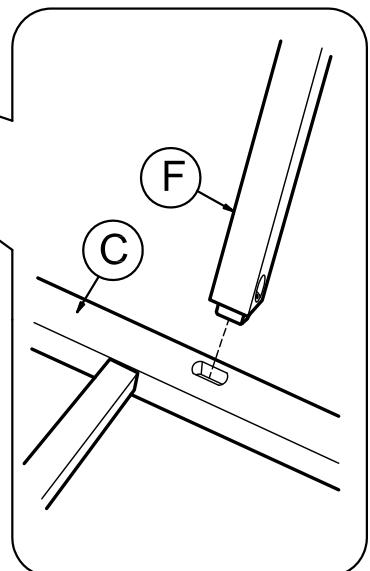
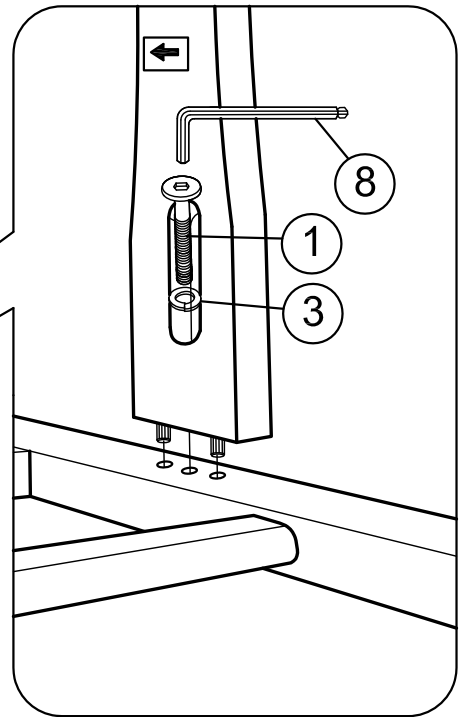
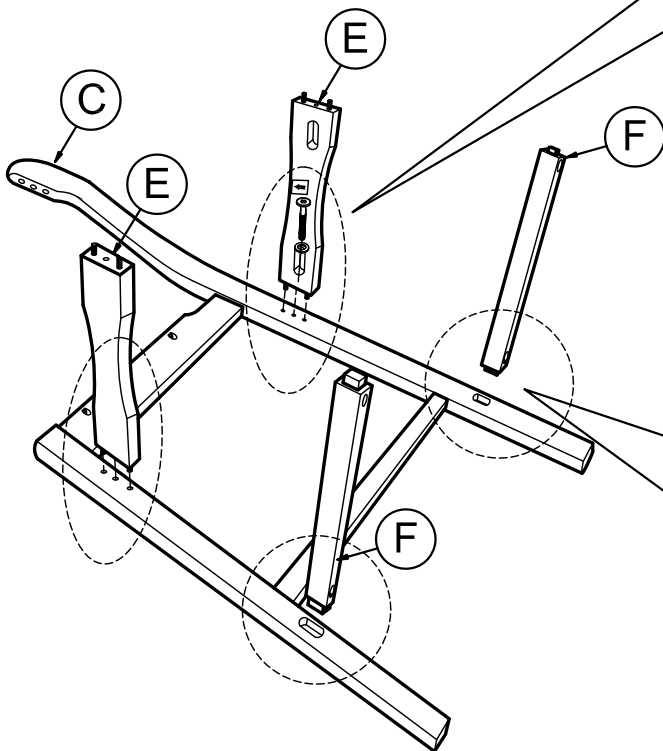
Tools needed for assembly (not included) :



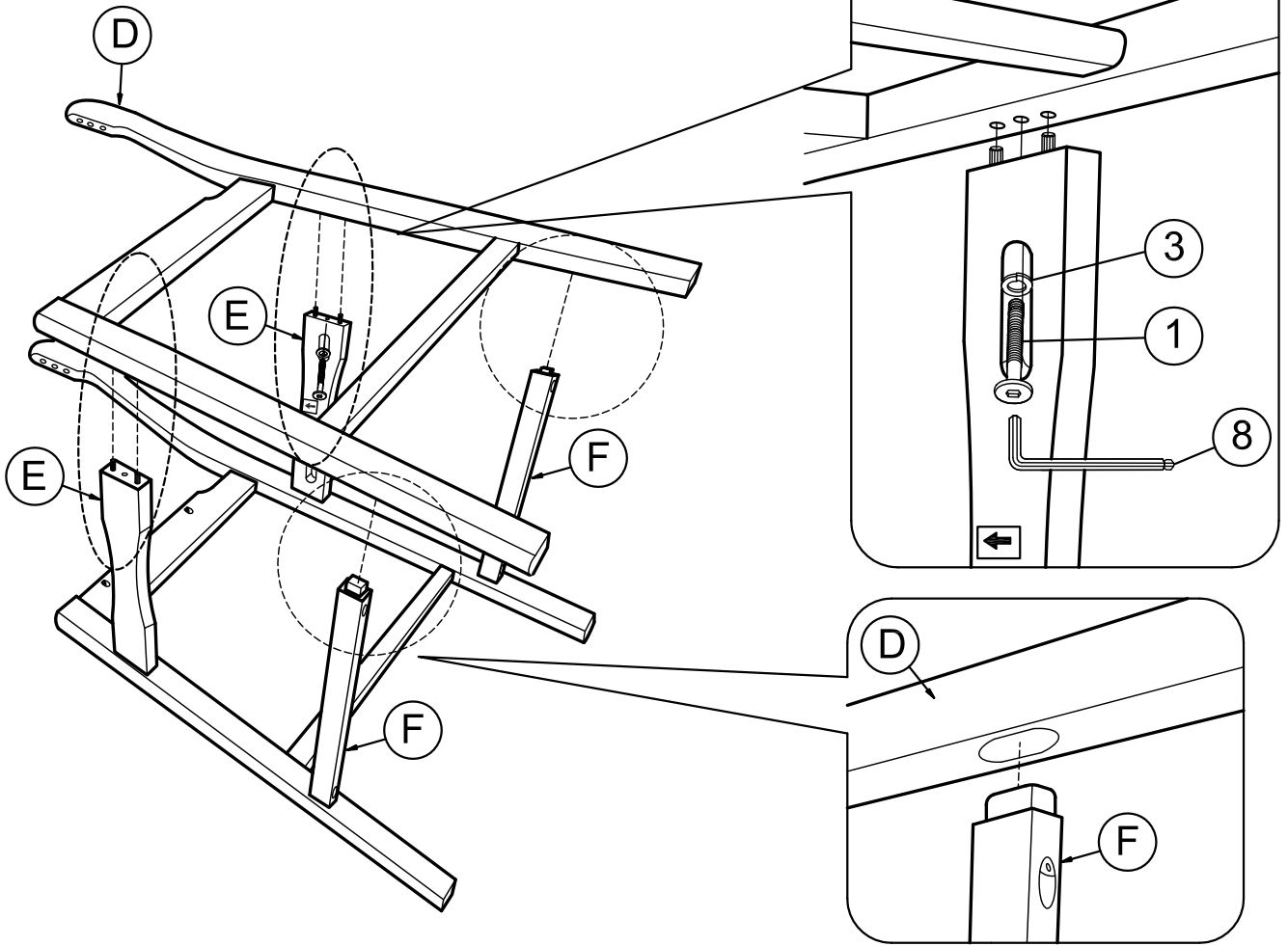
STEP 1



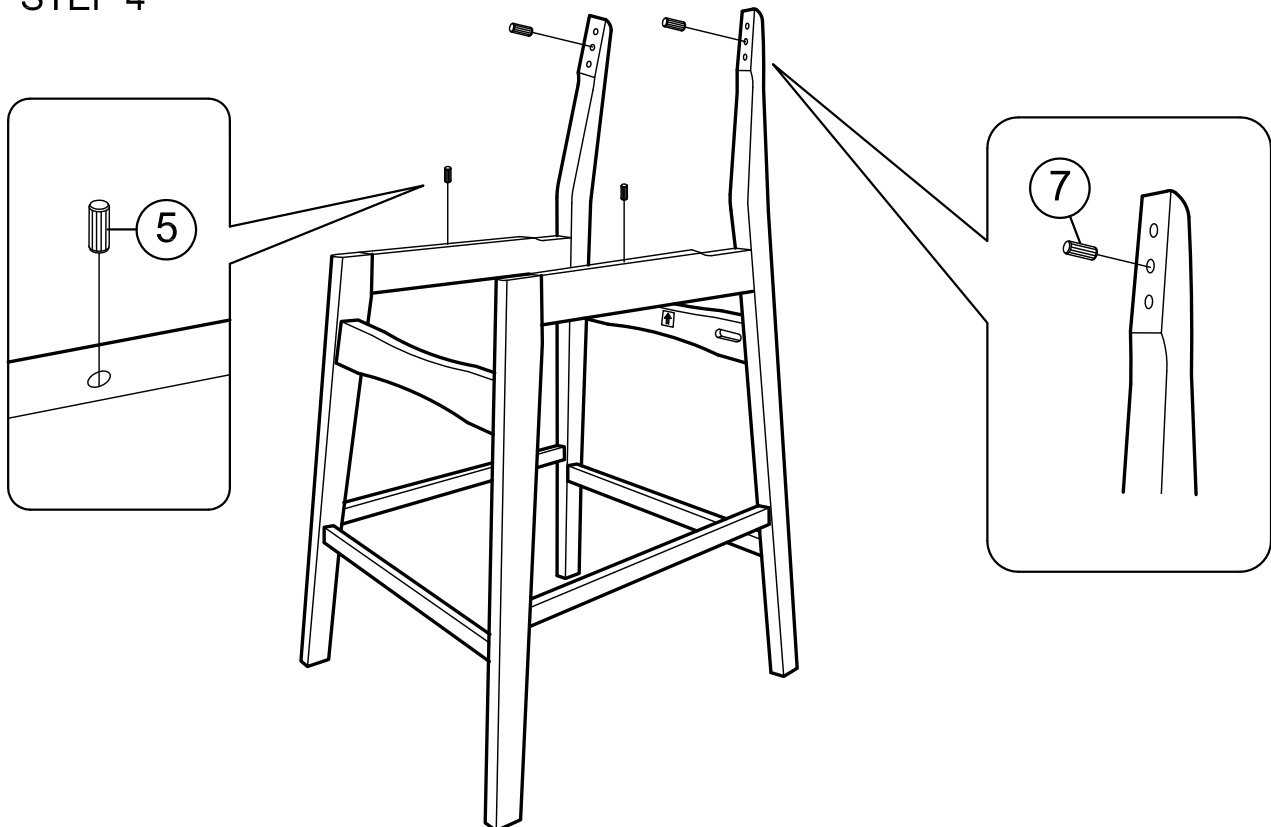
STEP 2



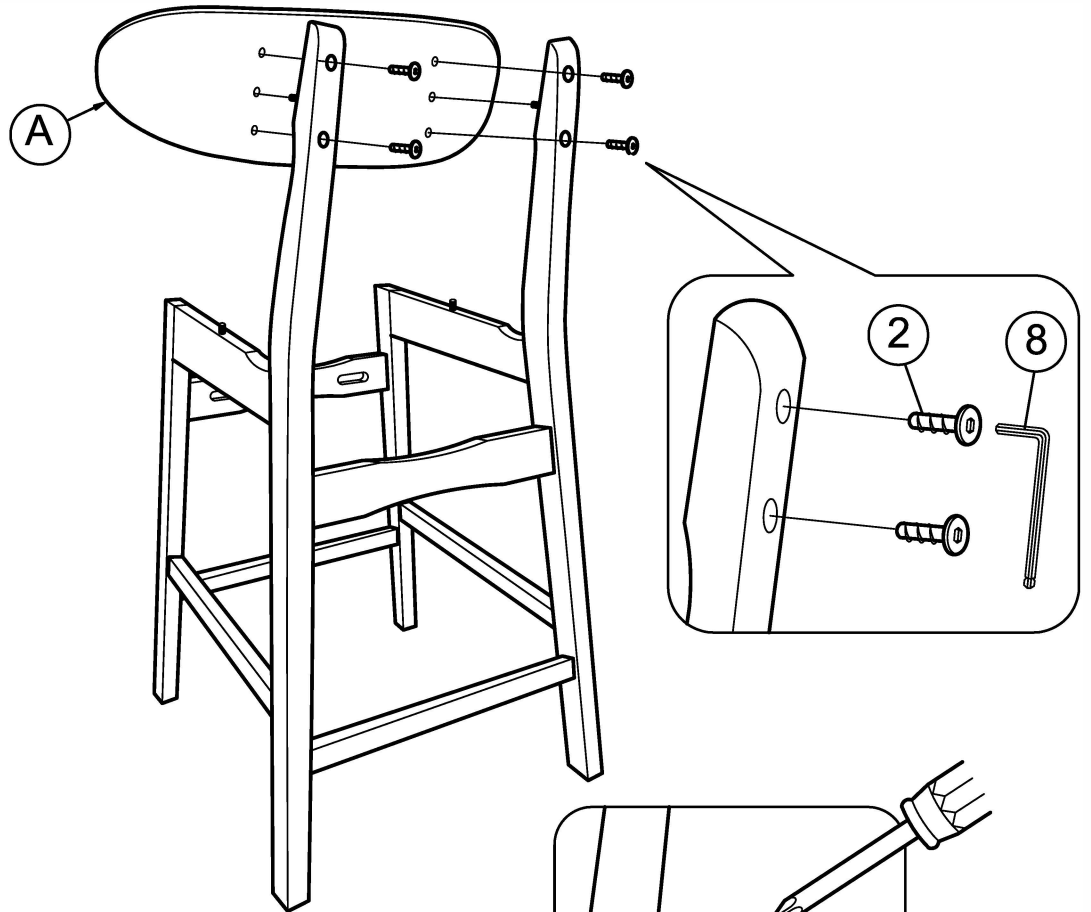
STEP 3



STEP 4



STEP 5



STEP 6

