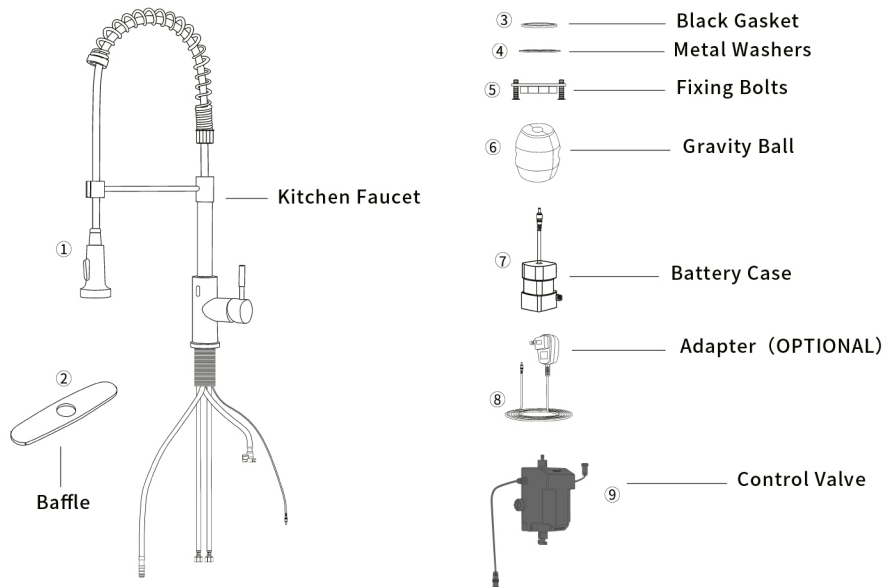
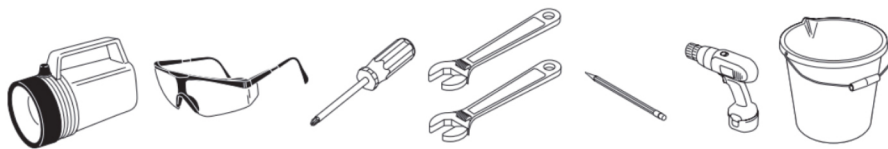


ITEMS IN THE PACKAGE



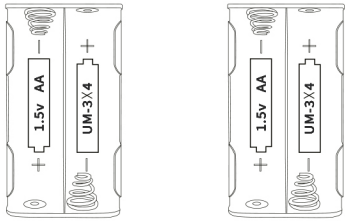
You may need:



Solenoid Troubleshooting

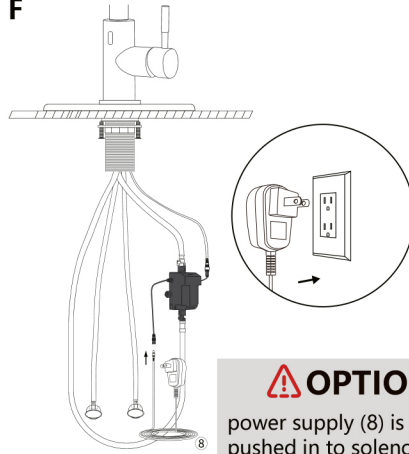
Note: Normal operation of the faucet will turn off water flow if faucet is not touchless for 3 minutes.

1. If your spout flashes a red light on then off and then keeps repeating this, replace the batteries. If the spout still flashes a red light, please replace solenoid
2. If your spout displays the proper light, but no water is coming out of the spout,
 - a. Verify the handle is in the "on" position.
 - b. Verify the water supplies are turned to the "on" position.
 - c. Move handle to the "off" position. Unscrew hose from spray head and check for any debris in the spray head inlet. Move handle to the "on" position to verify water is reaching the sprayer. Replace spray head.
 - d. Move handle to the "off" position. Remove the hose from the solenoid and move handle to the "on" position to check for flow coming from the solenoid. Reconnect hose to solenoid.
 - e. With handle in the "off" position, remove the hose from the faucet to the solenoid. Move handle to the "on" position to check if water is going through the manual valve and reaching the solenoid. If water is getting to the solenoid, but it is not getting through the solenoid, replace solenoid and electronics kit

E

⚠ CAUTION!

Two sections on each side "AA" Batteries 1.5V Alkaline only (Last approximately 1 year)

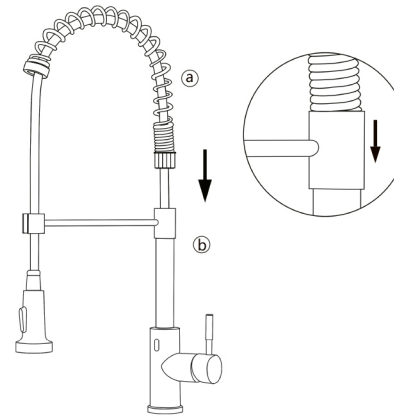
F

⚠ OPTIONAL

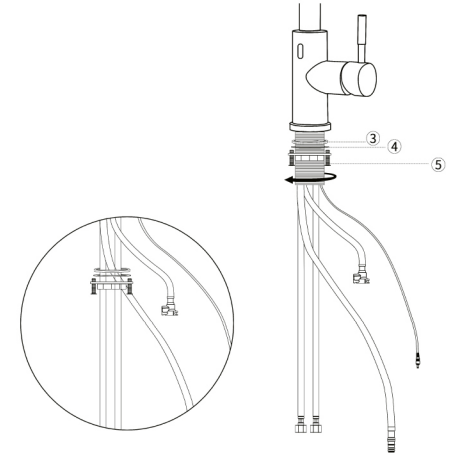
power supply (8) is properly pushed in to solenoid. Make sure wire extends away from solenoid. For proper functionality DO NOT tie, twist or bunch the wires

1 INSTALL

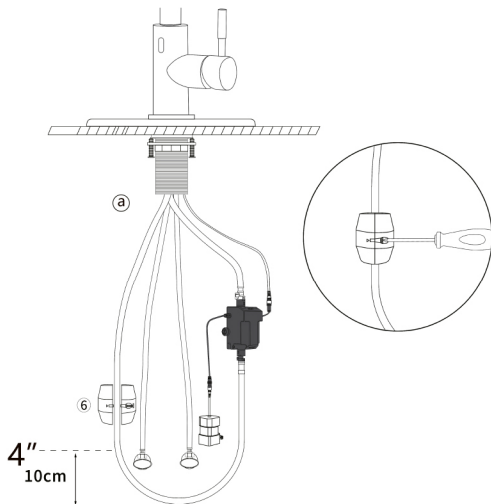
A Insert faucet spring (a) into the faucet mounting bracket (b)



B Before installation, please unscrew the accessory nut



6 GRAVITY BALL INSTALLATION

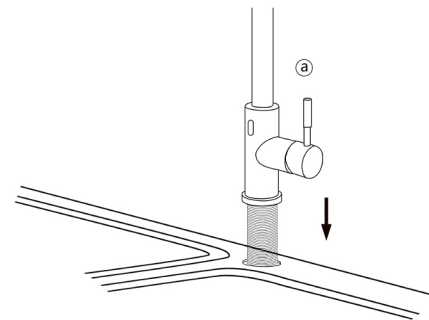
A

Secure the gravity ball(6) to the hose(a), then tighten locking screws using a Phillips screwdriver.

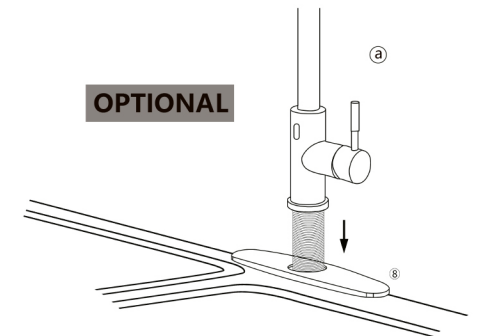
NOTE: Recommended mounting height is 25 inches from bottom of tube

2 MOUNT FAUCET TO DECK

A Insert faucet tubes and shank through mounting hole in sink; and place faucet (a) over mounting hole. Ensure that the light at the base is facing forward.



B Before installation, please unscrew the accessory nut



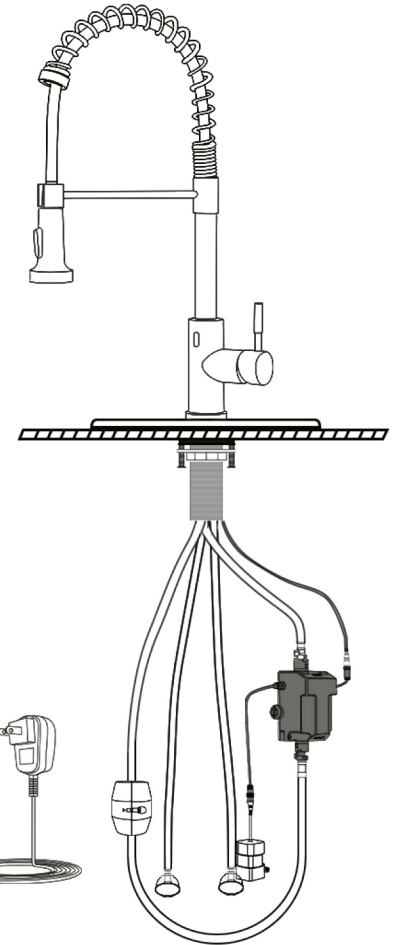
OPTIONAL

TOUCHLESS PULL-DOWN KITCHEN & BAR/ PREP FAUCET

READ ALL INSTRUCTIONS PRIOR TO INSTALLATION

CAUTION

Failure to read these instructions prior to installation may result in personal injury, property damage, or product failure. Manufacturer assumes no responsibility for product failure due to improper installation.



OPTIONAL

WARRANTY

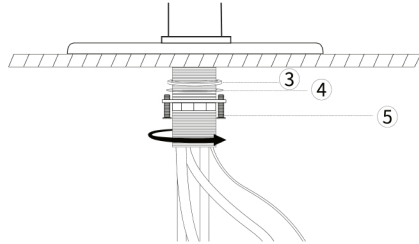
- Parts and Finish - Lifetime limited warranty; or for commercial purchasers, 10 years for multi-family residential (apartments and condominiums) and 5 years for all other commercial uses, in each case from the date of purchase.
- Electronic Parts and Batteries (if applicable) - 5 years from the date of purchase; or for commercial purchasers, 1 year from the date of purchase. No warranty is provided on batteries.

CLEANING AND CARE

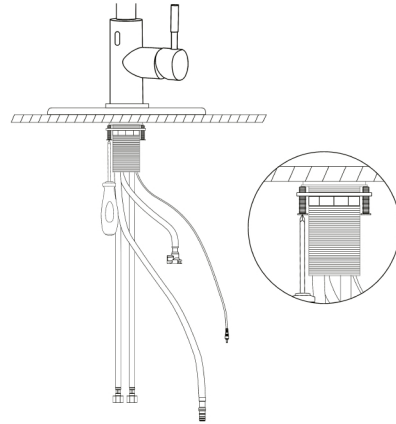
- Care should be given to the cleaning of this product. Although its finish is extremely durable, it can be damaged by harsh abrasives or polish. To clean, simply wipe gently with a damp cloth and blot dry with a soft towel

3 MOUNT FAUCET TO DECK

A Secure faucet to sink with mounting bracket (5) and Black Gasket (3) and Metal Gasket (4), ensure parts are oriented as shown in Insert D. Mount underneath sink, hand tighten.



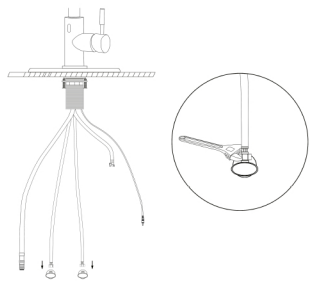
B Shank must not touch edge of sink to ensure proper touch operation. Adjust position of faucet above sink then tighten locking screws (5) using a Phillips screwdriver, shown in Insert E.



4 CHECK VALVE INSTALLATION

A Important: To ensure proper operation of your plumbing it is essential to install these check valve assemblies onto your supply stops.

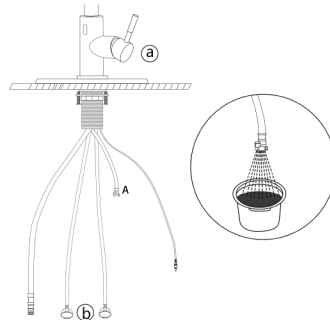
1. Thread on check valve and tighten the nut with a wrench until secured. Repeat for other supply stop.
2. Loop tubing if it is too long.



Note: Recommended tubing minimum bend diameter is 8". Tighten the nut with a wrench until secured, while using a second wrench to ensure you do not over tighten the check valves. Repeat for other supply stop. Turn on water, examine for leaks

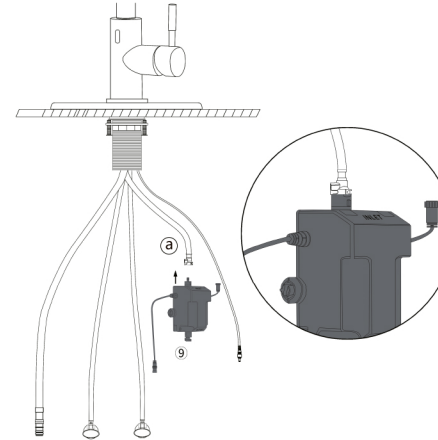
B Because your sprayer has been factory assembled to the hose, we do not recommend removing to flush the lines. Instead, if possible, we recommend placing a bucket below the outlet fitting and one of two options.

1. With the valve in mix open position (a), slowly open and close the supply stops (b).
2. With the supply stops open (b), slowly open and close the handle in the mix position (a). This will prevent debris from being lodged in the hose and sprayer.

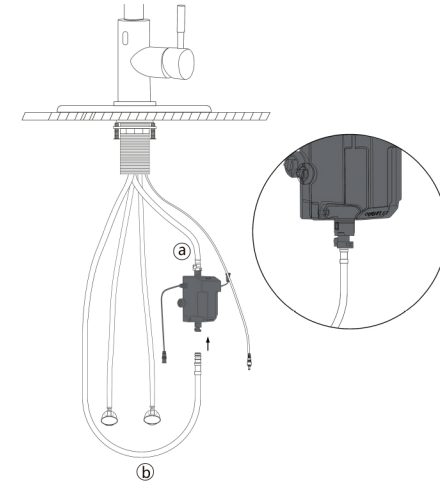


5 SOLENOID VALVE INSTALLATION

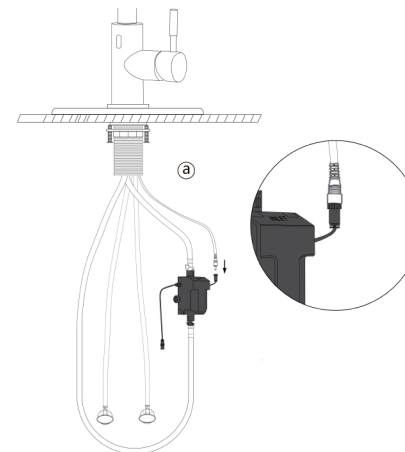
A Slide tube (a) into the top solenoid nipple (9). Pull down moderately to ensure the connection has been made.



B Push hose end (a) onto solenoid assembly outlet (9). Pull down moderately to ensure connection has been made.



C wire (a) is properly pushed in to solenoid. Make sure wire extends away from solenoid. For proper functionality DO NOT tie, twist or bunch the wires



D (7) is properly pushed in to solenoid. Make sure wire extends away from solenoid. For proper functionality DO NOT tie, twist or bunch the wires

