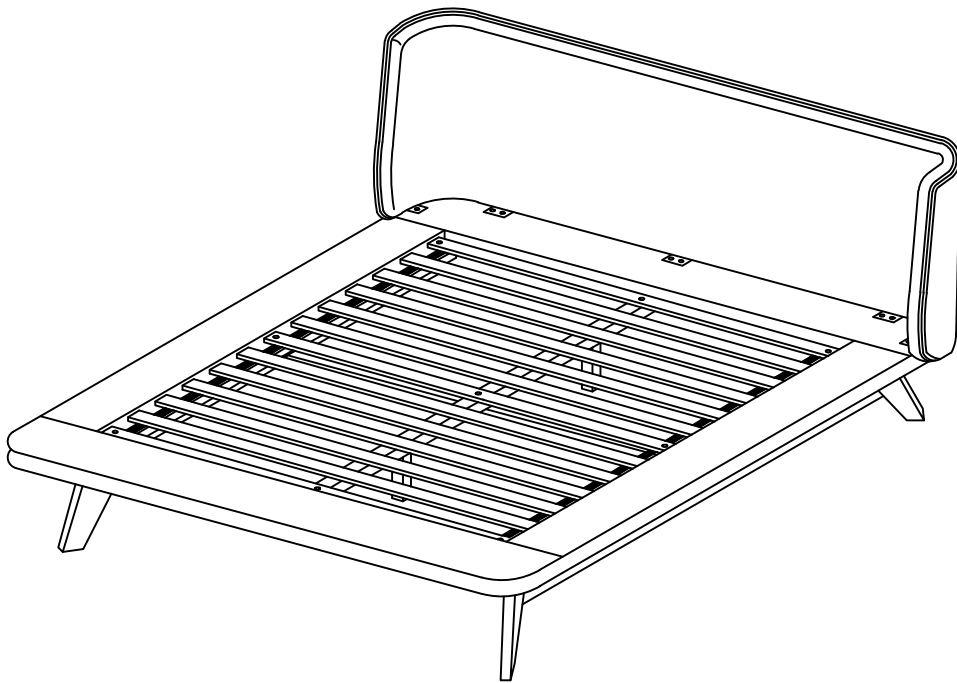


# ASSEMBLY INSTRUCTIONS



## TOOLS REQUIRED



Allen Wrench

(Included)



Phillips  
Screwdriver

(Not Included)



2 - Persons  
Recommended

## ASSEMBLY RATING



EASY ————— DIFFICULT

The Assembly Rating is a 5-point system showing the level of effort needed to assemble a specific product.



## **CHECK BEFORE STARTING**

### **Are you missing anything?**

Double-check all parts, hardware and accessories listed on Page 6 are accounted for.

### **Check out our Quick Tips!**

We recommend reviewing the pre-assembly handouts. Even experts need a refresher now and then!

### **Should we send any replacements?**

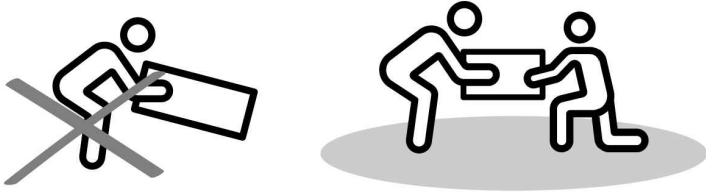
Are there any irregularities or flaws in the parts? We can send replacements!

### **Prep Time!**

Please review the assembly instructions and all diagrams prior to assembling. Set up your workspace by laying the parts and hardware out separately, then begin!

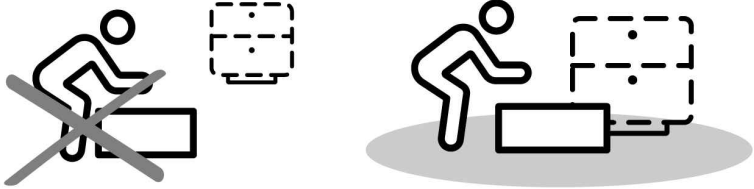
# PRE ASSEMBLY INTRODUCTION

We understand building ready-to-assemble furniture can be a challenging experience for some. To help avoid confusion, we have provided some helpful tips that may speed up the process.



### Teamwork

ALWAYS have at least two people to help with transporting and assembling the product to avoid potential injury and/or damage.



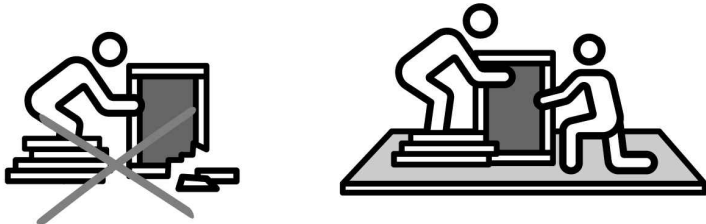
### Suitable Location

Assembling near the area of the intended location is highly recommended.



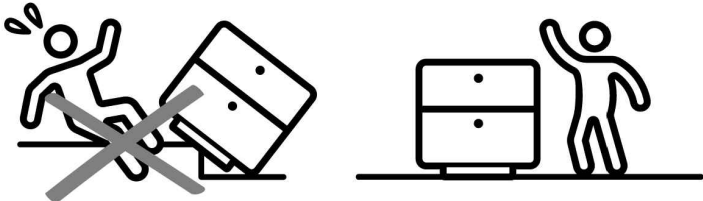
### Sufficient Space

Make sure you have enough space to move around during the assembly.



### Avoid Scratches

Use cardboard, blankets or a carpeted area while assembling furniture to prevent scratches.



### Flat Surface

Make sure the furniture rests on a flat and level surface with each leg evenly touching the floor.

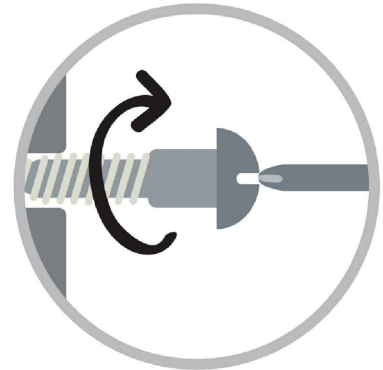
# ASSEMBLY AND CARE ADVICE



**FAILURE TO FOLLOW THE GUIDELINES BELOW MAY RESULT IN INJURY AND/OR PROPERTY DAMAGE.**



Position each part correctly and insert screws or bolts into their respective holes.



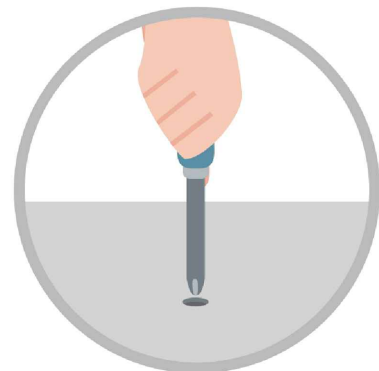
Turn clockwise to tighten and only tighten when step is completed or when instructed to do so.



Use the appropriate hand tools or power tools for assembly. Select steps, such as tightening screws and/or bolts, may require hand tools to avoid causing damage during assembly.



Save the instructions and store any supplied tools for later maintenance.



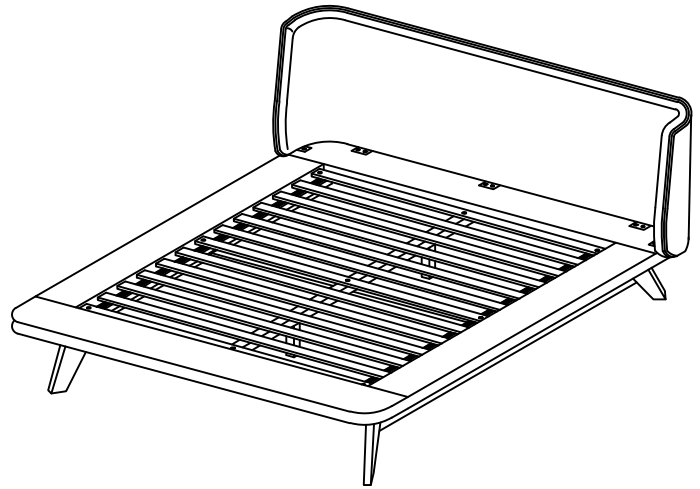
After two weeks, check and tighten any loose hardware and repeat again every six months thereafter.

**IT IS THE USER'S RESPONSIBILITY TO MAINTAIN THE FURNITURE. THE HARDWARE MAY LOOSEN OVER TIME AND MAY CAUSE THE FURNITURE TO BE WOBBLY AND UNABLE TO SUPPORT ITS INTENDED WEIGHT CAPACITY. THIS MAY LEAD TO COLLAPSE AND MAY CAUSE SERIOUS INJURY.**

# KING BED

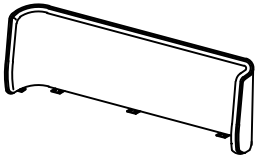


• Please keep instructions for future reference.  
 • Check the quantity and irregularity of parts and hardware before you start.



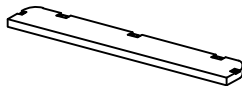
## PARTS

#1 1pc



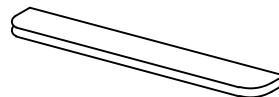
Headboard

#2 1pc



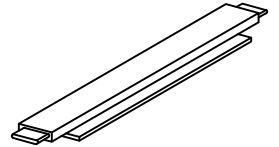
Headboard Panel

#3 1pc



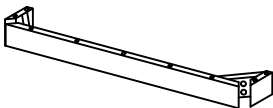
Footboard Panel

#4 2pcs



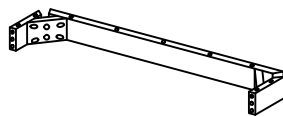
Side Rail Panel

#5 1pc



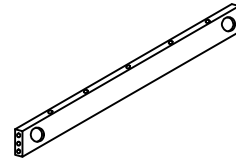
HB Support Wood

#6 1pc



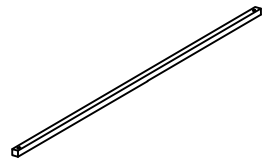
FB Support Wood

#7 2pcs



SR Support Wood

#8 1pc



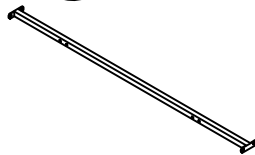
Center Rail

#9 2pcs



Center Support Leg

#10 1pc



Metal Rail

#11 2pcs



Metal Support Leg

#12 4pcs



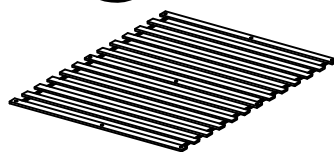
Corner Block

#13 4pcs



Bed Leg

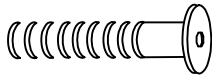
#14 1set



Slat

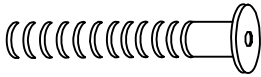
## HARDWARE

#A 12pcs



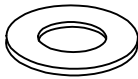
Jcbc Bolt M6 x 20mm

#D 8pcs



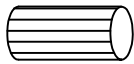
Jcbb Bolt M8 x 50mm

#G 8pcs



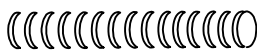
M8 Flat Washer

#J 12pcs



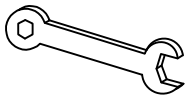
Wood Dowel M8 x 30mm

#M 4pcs



Stud Screw M8 x 95 MS

#P 1pc



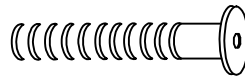
Combination Spanner (13mm)

#S 2pcs



6 Hole Metal Bracket

#B 4pcs



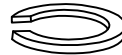
Jcbc Bolt M6 x 40mm (Black)

#E 14pcs



M6 Flat Washer

#H 8pcs



M8 Spring Washer

#K 4pcs



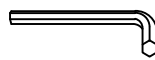
M6 Hex Nut (Black)

#N 4pcs



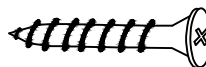
Trub Nut M8

#Q 1pc



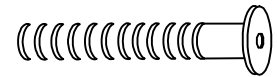
M4 Allen Wrench

#T 12pcs



Wood Screw M3.5 x 16mm

#C 2pcs



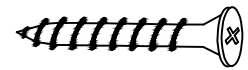
Jcbc Bolt M6 x 50mm

#F 14pcs



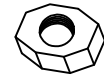
M6 Spring Washer

#I 45pcs



Wood Screw M4 x 32mm

#L 4pcs



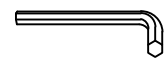
M8 Hex Nut

#O 1pc




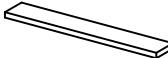
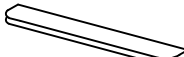




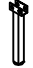

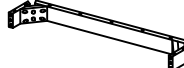




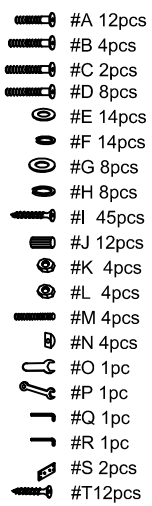
Spanner (10mm)

#R 1pc



M5 Allen Wrench

# POINT 3 CARTONS

Carton	Designation	Part	
	Headboard (1pc)	#1	
	Headboard Panel (1pc)	#2	
	Footboard Panel (1pc)	#3	
	Side Rail Panel (2pcs)	#4	
	SR Support Wood (2pcs)	#7	
	Center Rail (1pc)	#8	
	Center Support Leg (2pcs)	#9	
	Metal Support Leg (2pcs)	#11	
	HB Support Wood (1pc)	#5	
	FB Support Wood (1pc)	#6	
	Metal Rail (1pc)	#10	
	Corner Block (4pcs)	#12	
	Bed Leg (4pcs)	#13	
	Bed Slat (1set)	#14	
			

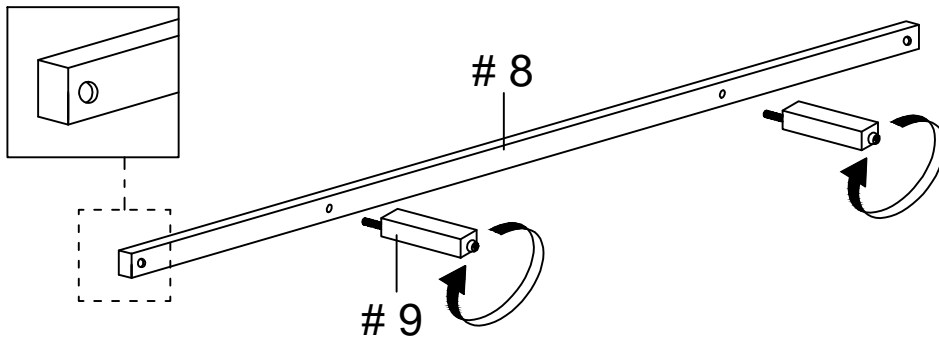
# ASSEMBLY INSTRUCTIONS

1

Attach the center support leg (#9) to the center rail (#8) as shown in the diagram.

Part #8 x1pc

Part #9 x2pcs



2

Attach to metal support leg (#11) to the metal rail (#10) by using Bolt (#B) and securing the end of the bolt with hex nut (#K).

Part #10 x1pc

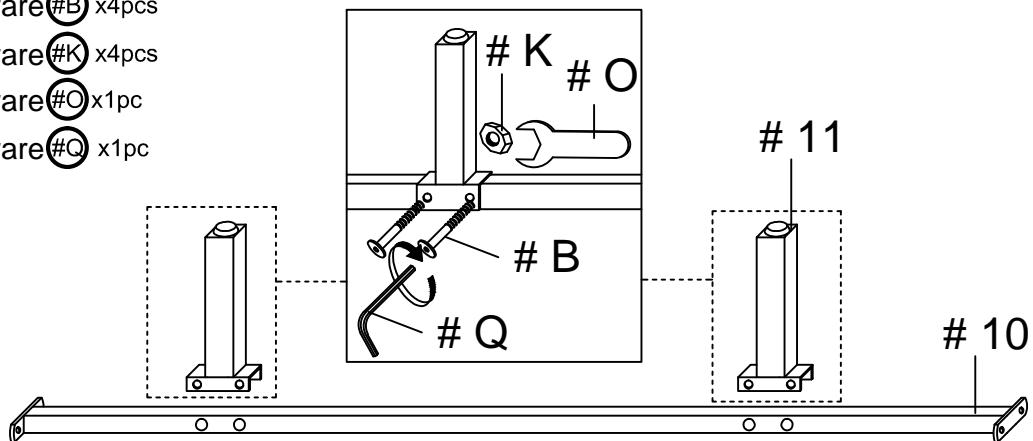
Part #11 x 2pcs

Hardware #B x4pcs

Hardware #K x4pcs

Hardware #O x1pc

Hardware #Q x1pc

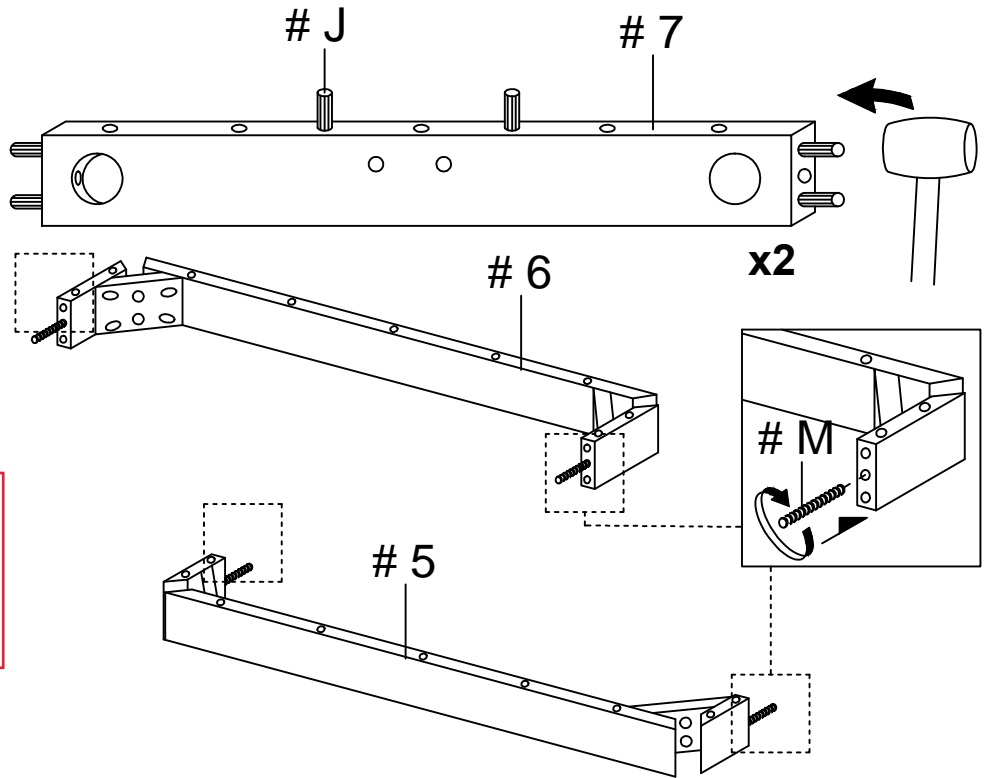


# ASSEMBLY INSTRUCTIONS

I. Attach wood dowel (#J) to the SR support wood (#7) as shown in the diagram.

## 3

- Part #5 x1pc
- Part #6 x1pc
- Part #7 x2pcs
- Hardware #J x12pcs
- Hardware #M x4pcs

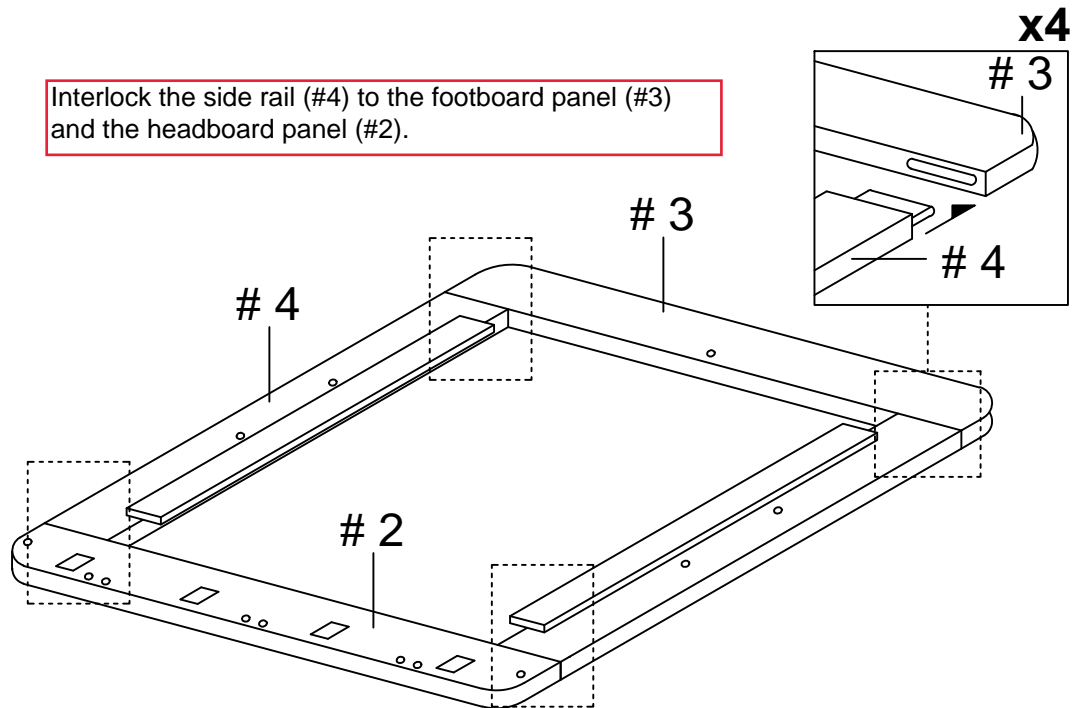


II. Attach the stud screw (#M) to both HB support wood (#5) and FB support wood (#6) as shown in the diagram.

## 4

- Part #2 x1pc
- Part #3 x1pc
- Part #4 x2pcs

Interlock the side rail (#4) to the footboard panel (#3) and the headboard panel (#2).



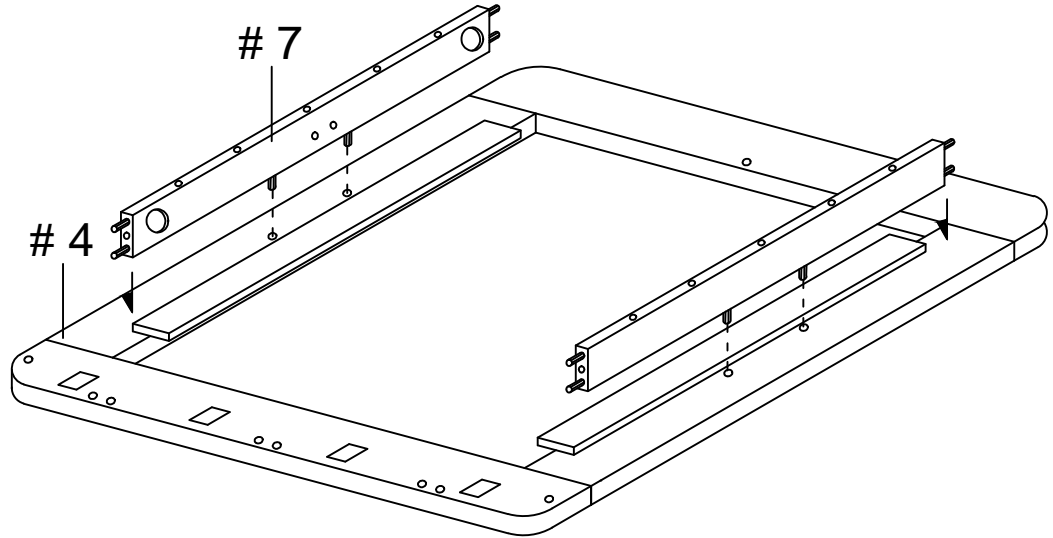
# ASSEMBLY INSTRUCTIONS

Align the SR support wood (#7) to the side rail panel (#4).

## 5

Part #4 x2pcs

Part #7 x2pcs



I. Align the FB support wood (#6) to the SR support wood (#7).  
Secure by using the trub nut (#N) and hex nut (#L).  
II. Align the HB support wood (#5) to the SR support wood (#7).  
Secure by using the trub nut (#N) and hex nut (#L).

## 6

Part #5 x1pc

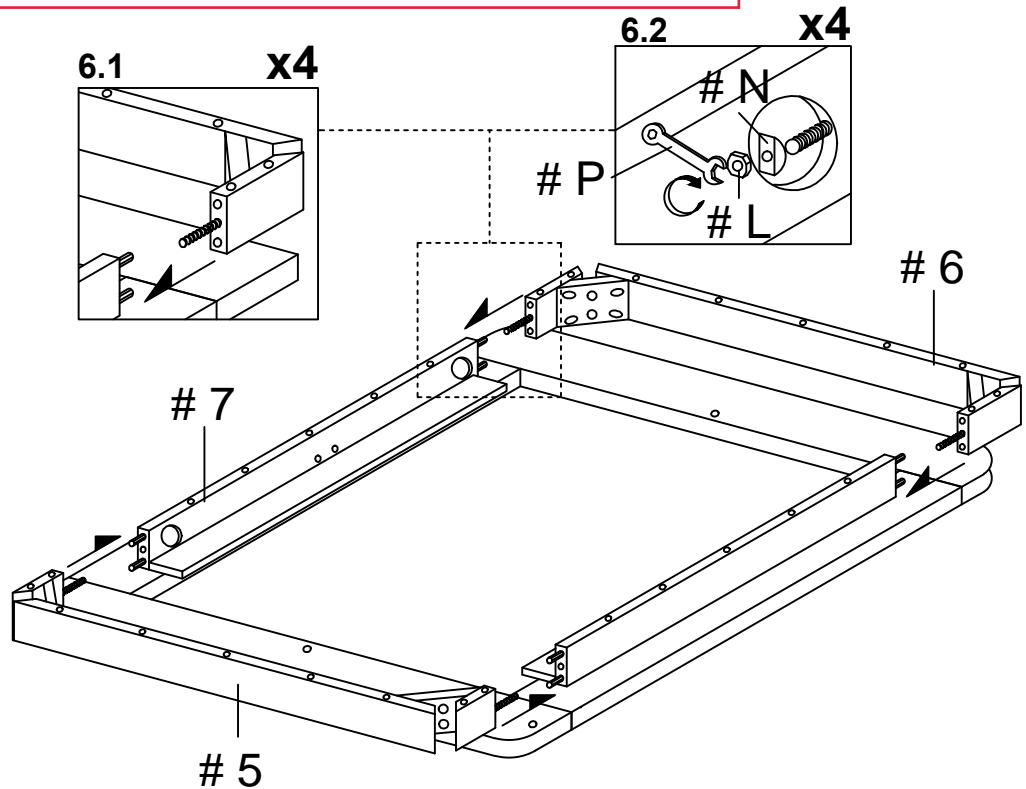
Part #6 x1pc

Part #7 x2pcs

Hardware #L x4pcs

Hardware #N x4pcs

Hardware #P x1pc

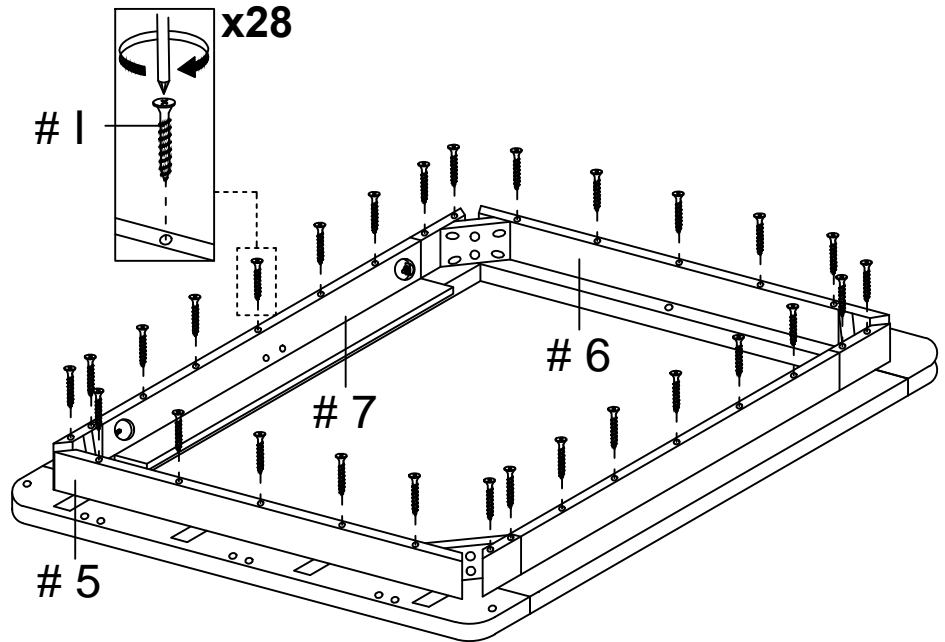


# ASSEMBLY INSTRUCTIONS

Use screw (#1) to secure frame to the side rail panels (#4) and the headboard panel (#2) and footboard panel (#3).

## 7

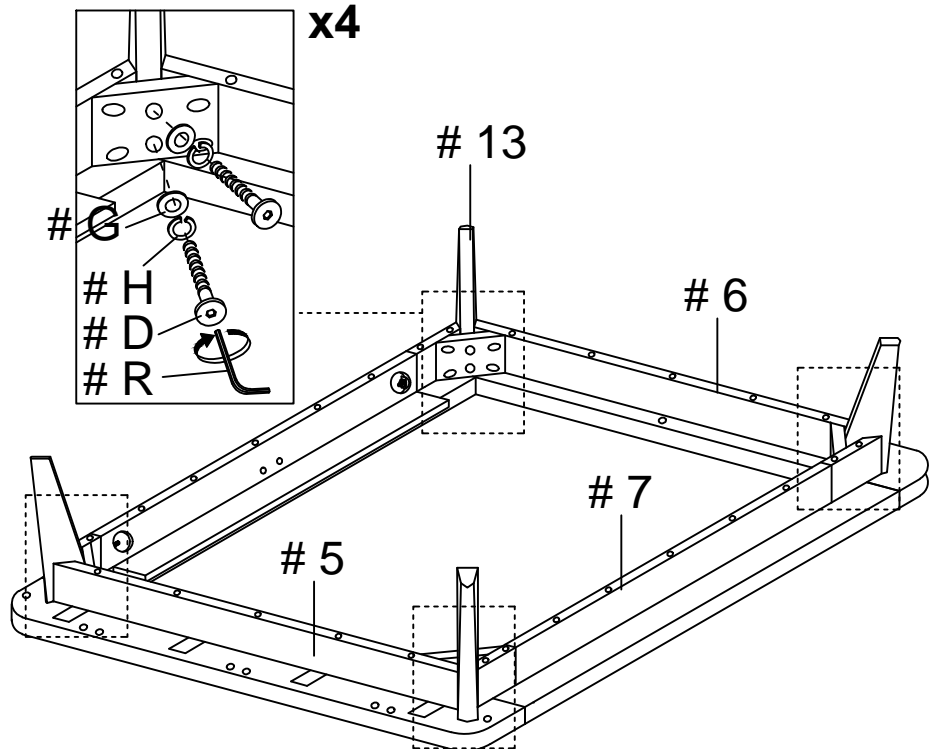
- Part #5 x1pc
- Part #6 x1pc
- Part #7 x2pcs
- Hardware #1 x28pcs



Align the bed leg (#13) to corner and secure by using bolt assembly of bolt (#D) with spring washer (#H) and flat washer (#G).

## 8

- Part #5 x1pc
- Part #6 x1pc
- Part #7 x2pcs
- Part #13 x 4pcs
- Hardware #D x8pcs
- Hardware #G x8pcs
- Hardware #H x8pcs
- Hardware #R x1pc

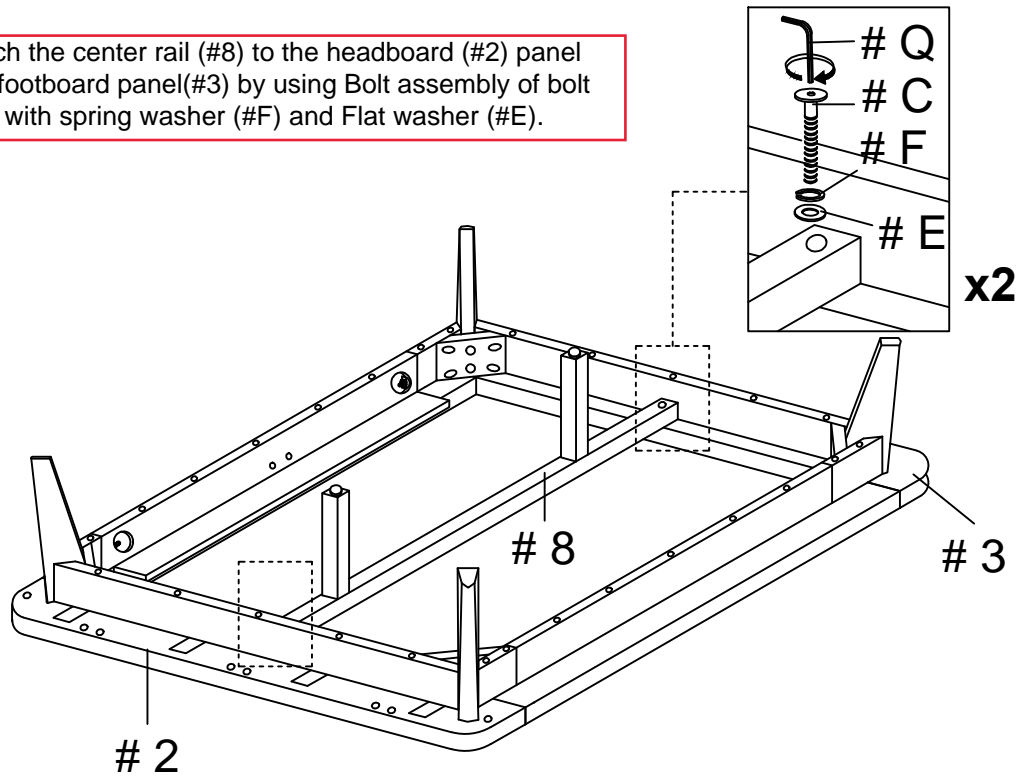


# ASSEMBLY INSTRUCTIONS

## 9

- Part #2 x1pc
- Part #3 x1pc
- Part #8 x1pc
- Hardware #C x2pcs
- Hardware #E x2pcs
- Hardware #F x2pcs
- Hardware #Q x1pc

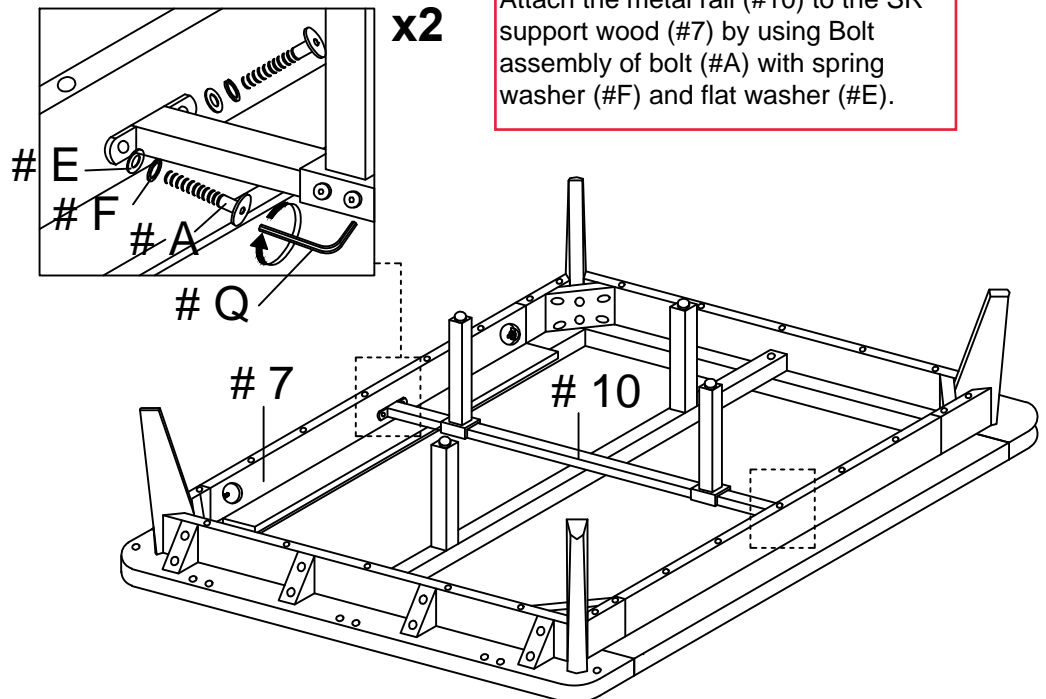
Attach the center rail (#8) to the headboard (#2) panel and footboard panel (#3) by using Bolt assembly of bolt (#C) with spring washer (#F) and Flat washer (#E).



## 10

- Part #7 x2pcs
- Part #10 x1pc
- Hardware #A x4pcs
- Hardware #E x4pcs
- Hardware #F x4pcs
- Hardware #Q x1pc

Attach the metal rail (#10) to the SR support wood (#7) by using Bolt assembly of bolt (#A) with spring washer (#F) and flat washer (#E).

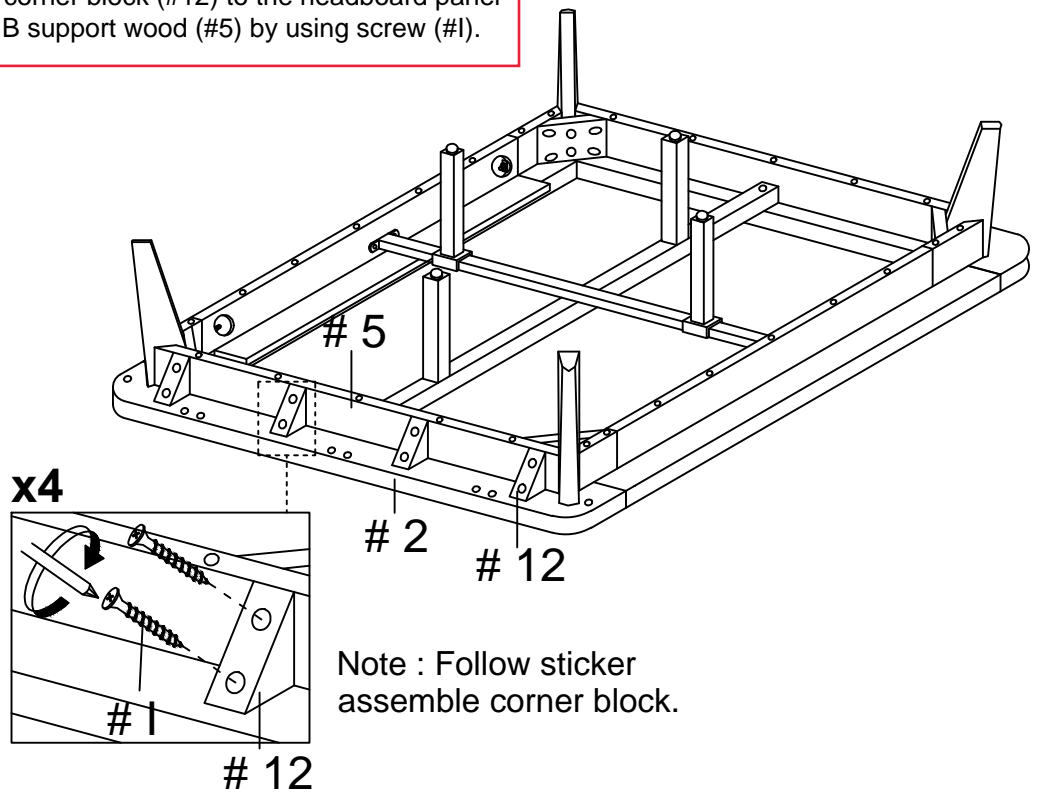


# ASSEMBLY INSTRUCTIONS

## 11

Attach the corner block (#12) to the headboard panel (#2) and HB support wood (#5) by using screw (#1).

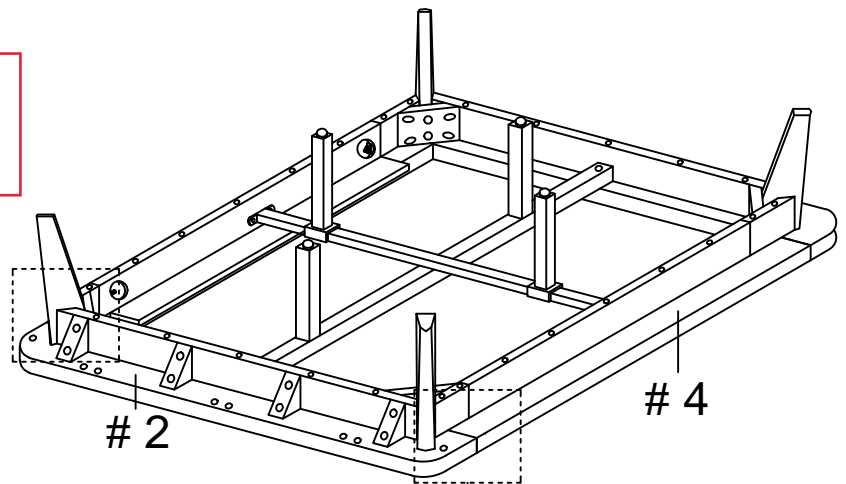
- Part #2 x1pc
- Part #5 x1pc
- Part #12 x4pcs
- Hardware #1 x8pcs



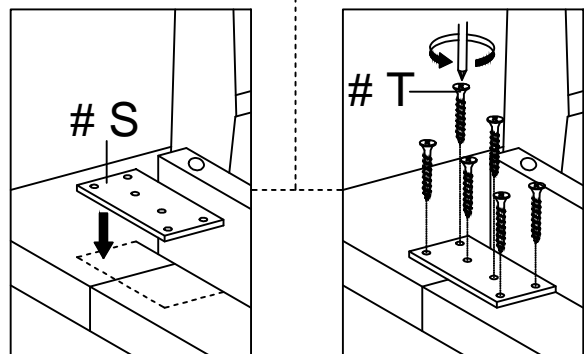
## 12

Use bracket (#S) with screws (#T) to secure headboard panel (#2) and side rail panel (#4).

- Part #2 x1pc
- Part #4 x2pcs
- Hardware #S x2pcs
- Hardware #T x12pcs



NOTE: Follow the line to assemble hardware S.

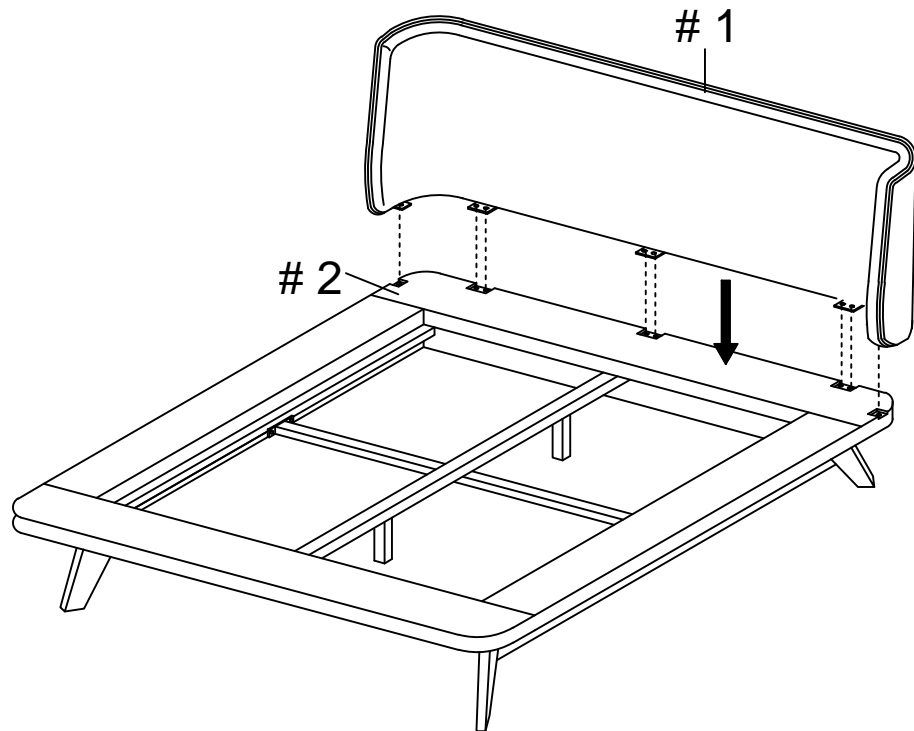


# ASSEMBLY INSTRUCTIONS

Turn bedframe over upright and align the headboard (#1).

## 13

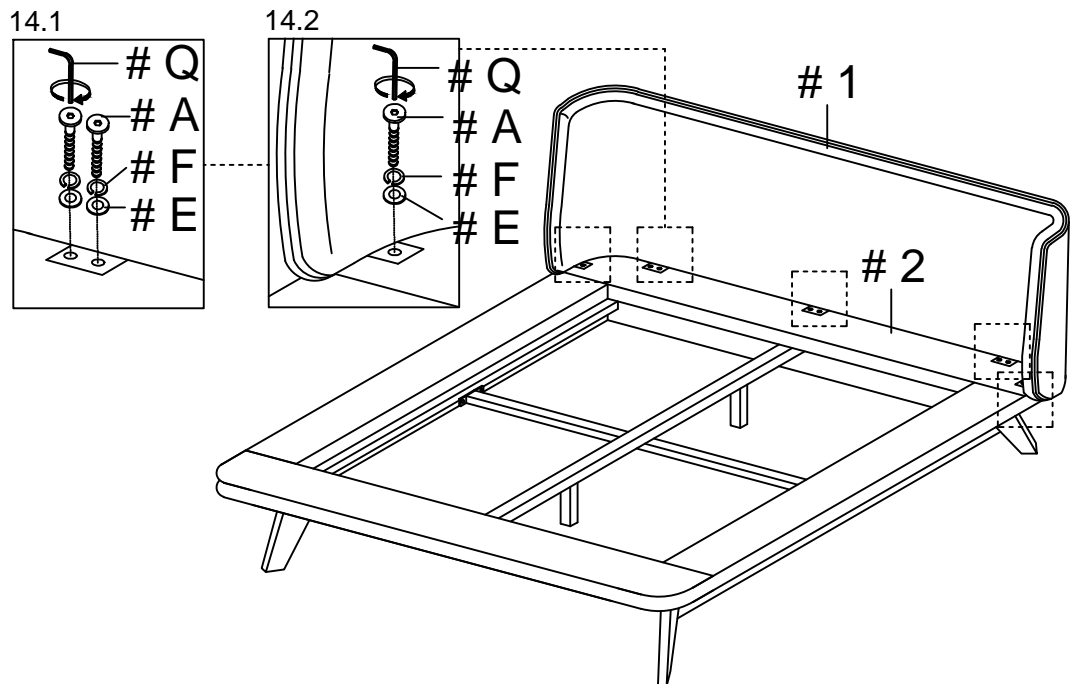
Part #1 x1pc  
Part #2 x1pc



Use bolt assembly of bolt (#A) with spring washer (#F) and flat washer (#E) to attach the center of headboard (#1). Then secure the wings.

## 14

Part #1 x1pc  
Part #2 x1pc  
Hardware #A x8pcs  
Hardware #E x8pcs  
Hardware #F x8pcs  
Hardware #Q x1pc

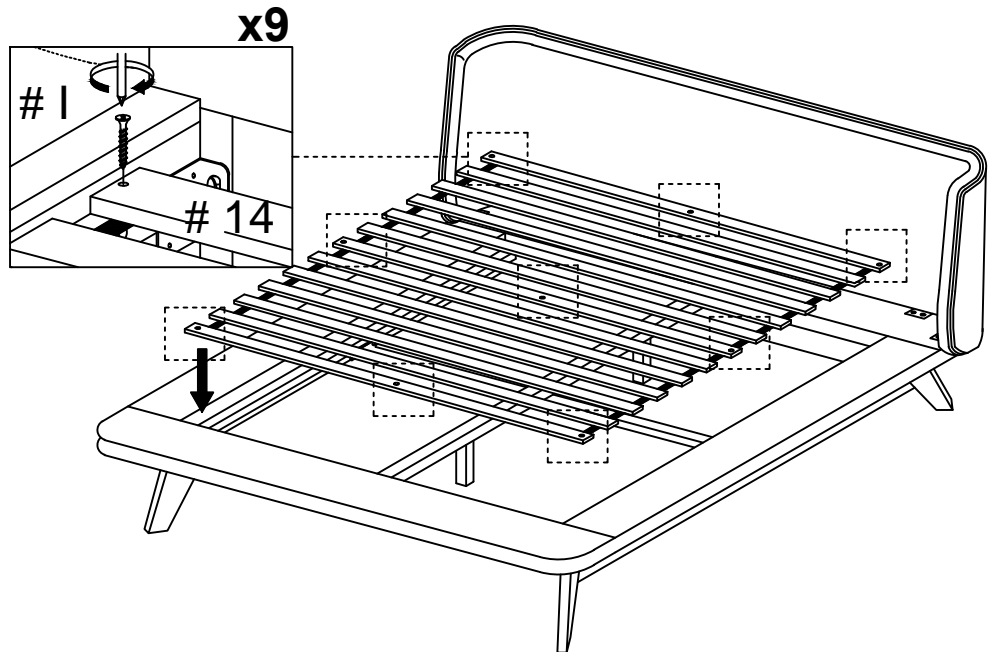


# ASSEMBLY INSTRUCTIONS

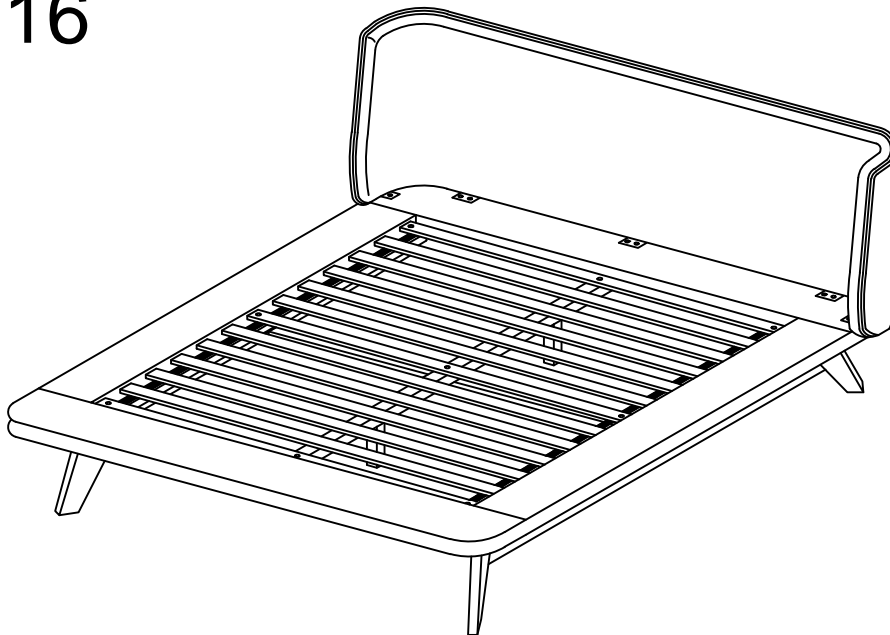
## 15

Part **#14** x1set  
Hardware **#1** x9pcs

Extend slat (**#14**) evenly over side rails and secure by using screw (**#1**).



## 16



### ASSEMBLY COMPLETED



Please ensure the furniture rests on an even and flat surface. If the product wobbles or feels loose, double-check all bolts and/or screws are properly tightened and secured.

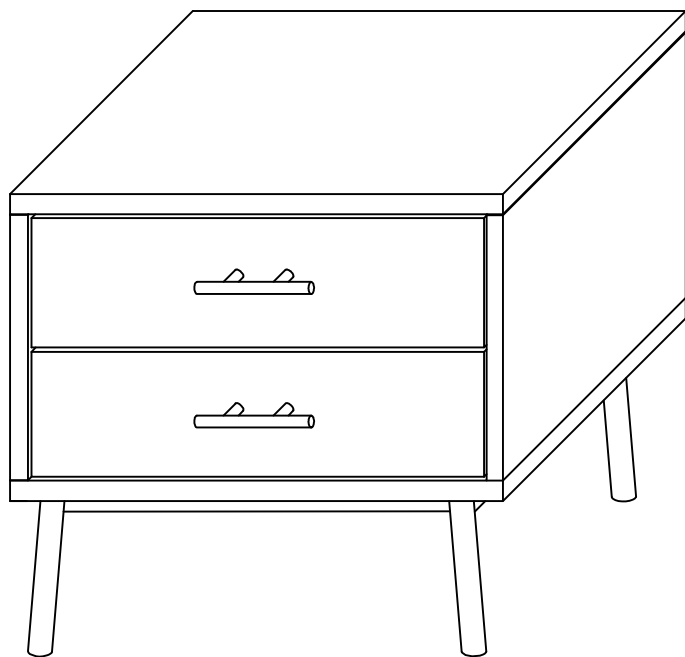
#### Keep this handy!

Please retain this instruction manual and any order-related information for future reference.

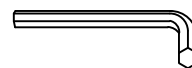
This product is intended for RESIDENTIAL USE ONLY and not for commercial use.

# ASSEMBLY INSTRUCTIONS

---



## TOOLS REQUIRED



Allen Wrench

(Included)



Phillips  
Screwdriver

(Not Included)



2 – Persons  
Recommended

## ASSEMBLY RATING



EASY ————— DIFFICULT

The Assembly Rating is a 5-point system showing the level of effort needed to assemble a specific product.



## **CHECK BEFORE STARTING**

### **Are you missing anything?**

Double-check all parts, hardware and accessories listed on Page 6 are accounted for.

### **Check out our Quick Tips!**

We recommend reviewing the pre-assembly handouts. Even experts need a refresher now and then!

### **Should we send any replacements?**

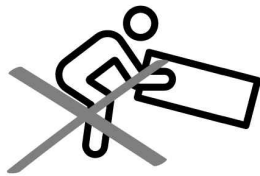
Are there any irregularities or flaws in the parts? We can send replacements!

### **Prep Time!**

Please review the assembly instructions and all diagrams prior to assembling. Set up your workspace by laying the parts and hardware out separately, then begin!

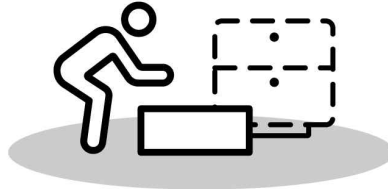
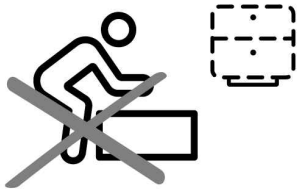
# PRE ASSEMBLY INTRODUCTION

We understand building ready-to-assemble furniture can be a challenging experience for some. To help avoid confusion, we have provided some helpful tips that may speed up the process.



## Teamwork

ALWAYS have at least two people to help with transporting and assembling the product to avoid potential injury and/or damage.



## Suitable Location

Assembling near the area of the intended location is highly recommended.



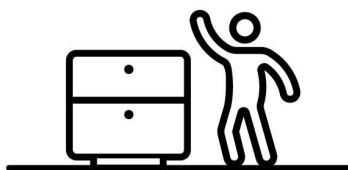
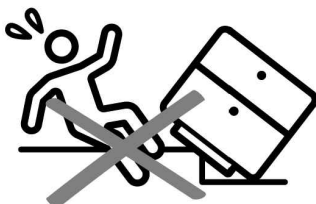
## Sufficient Space

Make sure you have enough space to move around during the assembly.



## Avoid Scratches

Use cardboard, blankets or a carpeted area while assembling furniture to prevent scratches.



## Flat Surface

Make sure the furniture rests on a flat and level surface with each leg evenly touching the floor.

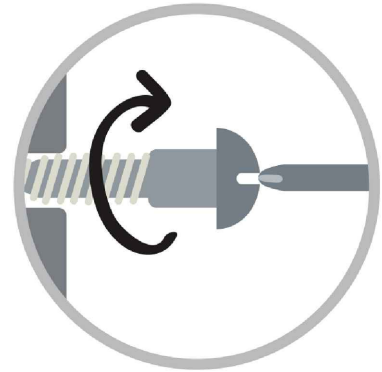
# ASSEMBLY AND CARE ADVICE



**FAILURE TO FOLLOW THE GUIDELINES BELOW MAY RESULT IN INJURY AND/OR PROPERTY DAMAGE.**



Position each part correctly and insert screws or bolts into their respective holes.



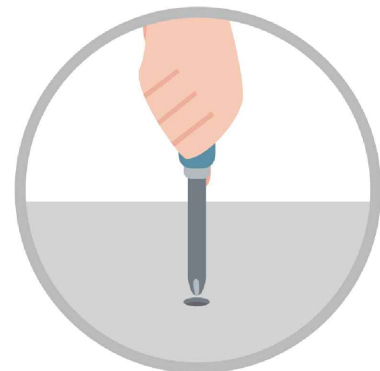
Turn clockwise to tighten and only tighten when step is completed or when instructed to do so.



Use the appropriate hand tools or power tools for assembly. Select steps, such as tightening screws and/or bolts, may require hand tools to avoid causing damage during assembly.



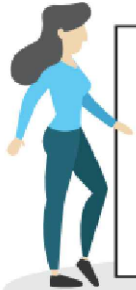
Save the instructions and store any supplied tools for later maintenance.



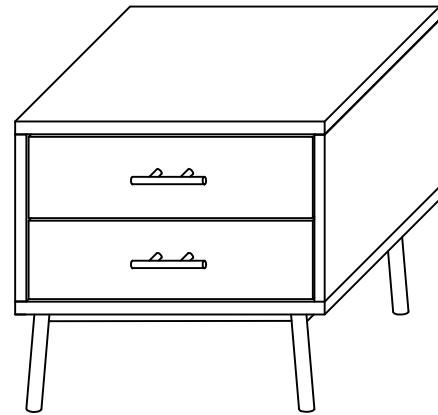
After two weeks, check and tighten any loose hardware and repeat again every six months thereafter.

**IT IS THE USER'S RESPONSIBILITY TO MAINTAIN THE FURNITURE. THE HARDWARE MAY LOOSEN OVER TIME AND MAY CAUSE THE FURNITURE TO BE WOBBLY AND UNABLE TO SUPPORT ITS INTENDED WEIGHT CAPACITY. THIS MAY LEAD TO COLLAPSE AND MAY CAUSE SERIOUS INJURY.**

# NIGHTSTAND



- Please keep instructions for future reference.
- Check the quantity and irregularity of parts and hardware before you start.



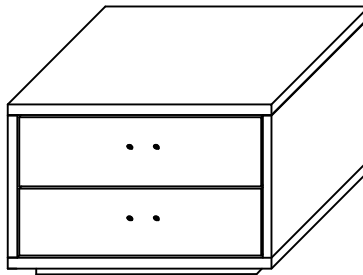
## PARTS

#1 4pcs



Leg

#2 1pc



Nightstand

## HARDWARE

#A 4pcs



Jcbc Bolt M6 x 60mm

#B 4pcs



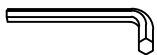
M6 Flat Washer

#C 4pcs



M6 Spring Washer

#D 1pc



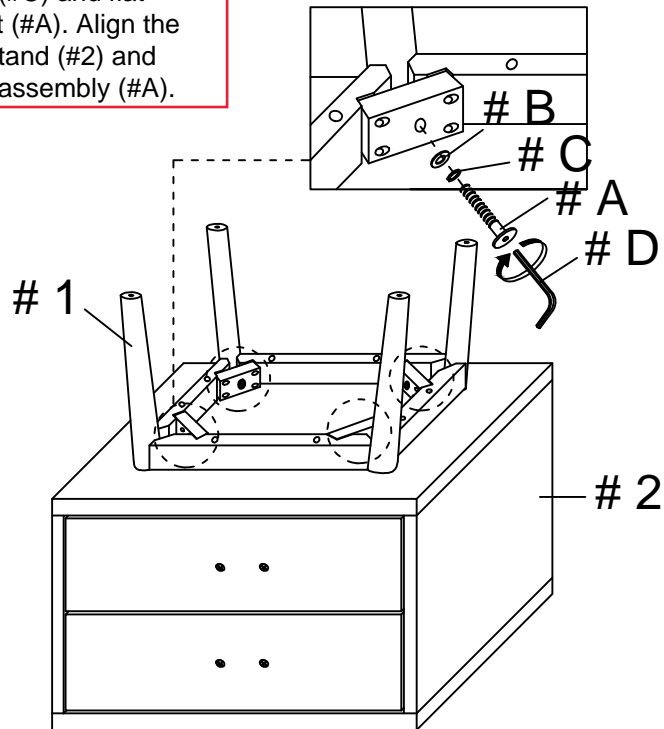
Allen Wrench

# ASSEMBLY INSTRUCTIONS

1

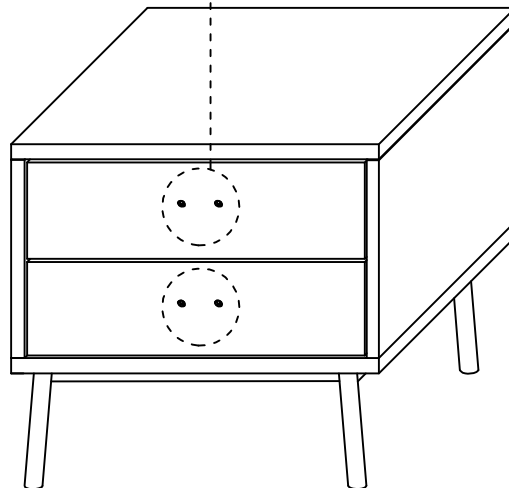
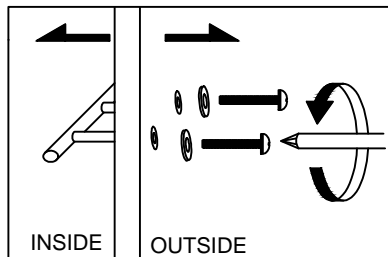
Insert spring washer (#C) and flat washer (#B) onto bolt (#A). Align the leg (#1) to the Nightstand (#2) and secure by using Bolt assembly (#A).

- Part #1 x4pcs
- Part #2 x1pc
- Hardware #A x4pcs
- Hardware #B x4pcs
- Hardware #C x4pcs
- Hardware #D x1pc



2

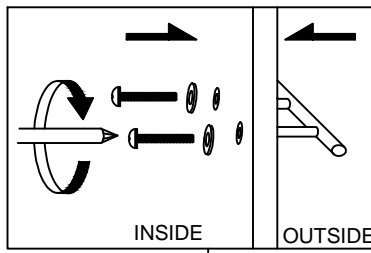
Remove the handle from within the drawers.



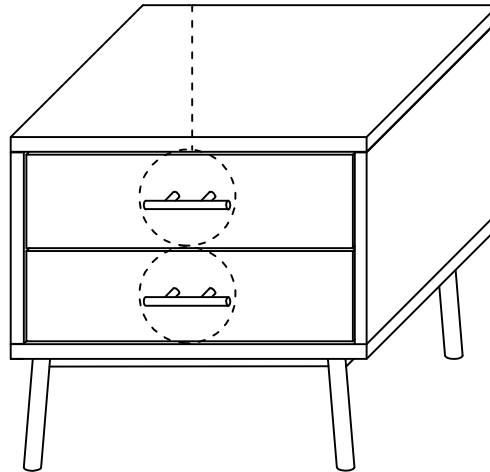
# ASSEMBLY INSTRUCTIONS

3

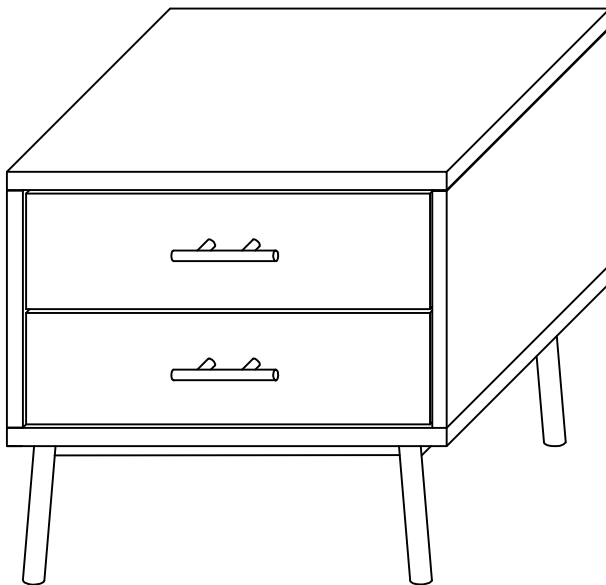
Note :  
Hold the handle flat and then tighten the screws



Place on the drawer front.



4



## ASSEMBLY COMPLETED



Please ensure the furniture rests on an even and flat surface. If the product wobbles or feels loose, double-check all bolts and/or screws are properly tightened and secured.



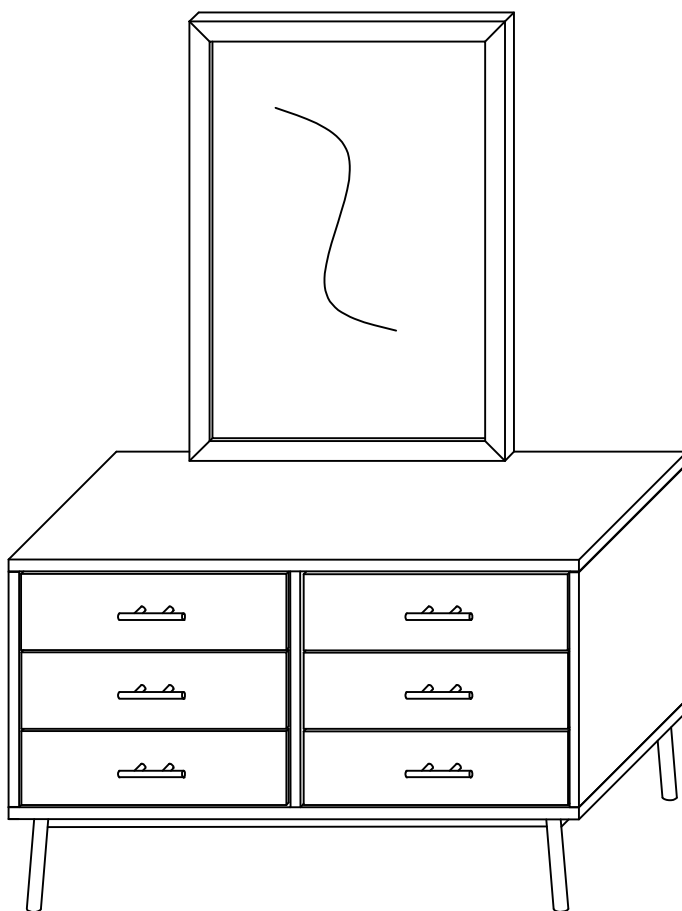
### Keep this handy!

Please retain this instruction manual and any order-related information for future reference.

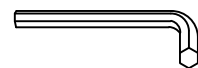
This product is intended for RESIDENTIAL USE ONLY and not for commercial use.

# ASSEMBLY INSTRUCTIONS

---



## TOOLS REQUIRED



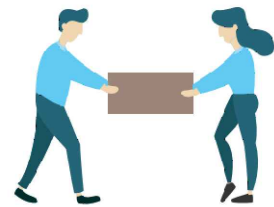
Allen Wrench

(Included)



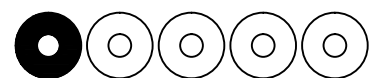
Phillips  
Screwdriver

(Not Included)



2 – Persons  
Recommended

## ASSEMBLY RATING



EASY ————— DIFFICULT

The Assembly Rating is a 5-point system showing the level of effort needed to assemble a specific product.



## **CHECK BEFORE STARTING**

### **Are you missing anything?**

Double-check all parts, hardware and accessories listed on Page 6 are accounted for.

### **Check out our Quick Tips!**

We recommend reviewing the pre-assembly handouts. Even experts need a refresher now and then!

### **Should we send any replacements?**

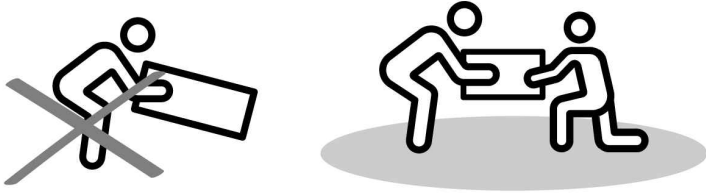
Are there any irregularities or flaws in the parts? We can send replacements!

### **Prep Time!**

Please review the assembly instructions and all diagrams prior to assembling. Set up your workspace by laying the parts and hardware out separately, then begin!

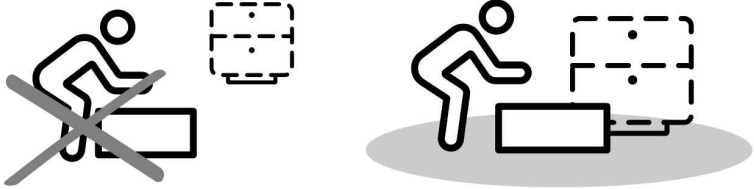
# PRE ASSEMBLY INTRODUCTION

We understand building ready-to-assemble furniture can be a challenging experience for some. To help avoid confusion, we have provided some helpful tips that may speed up the process.



### Teamwork

ALWAYS have at least two people to help with transporting and assembling the product to avoid potential injury and/or damage.



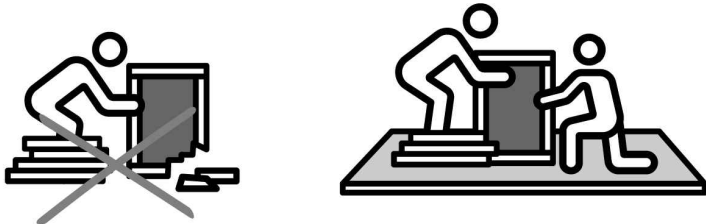
### Suitable Location

Assembling near the area of the intended location is highly recommended.



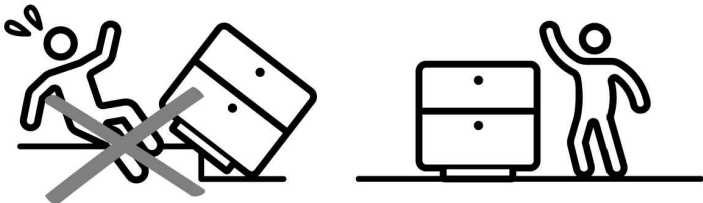
### Sufficient Space

Make sure you have enough space to move around during the assembly.



### Avoid Scratches

Use cardboard, blankets or a carpeted area while assembling furniture to prevent scratches.



### Flat Surface

Make sure the furniture rests on a flat and level surface with each leg evenly touching the floor.

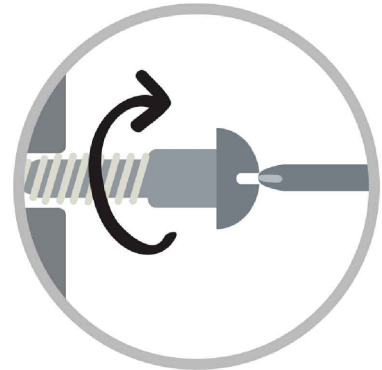
# ASSEMBLY AND CARE ADVICE



**FAILURE TO FOLLOW THE GUIDELINES BELOW MAY RESULT IN INJURY AND/OR PROPERTY DAMAGE.**



Position each part correctly and insert screws or bolts into their respective holes.



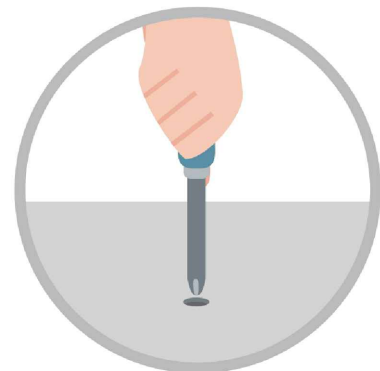
Turn clockwise to tighten and only tighten when step is completed or when instructed to do so.



Use the appropriate hand tools or power tools for assembly. Select steps, such as tightening screws and/or bolts, may require hand tools to avoid causing damage during assembly.



Save the instructions and store any supplied tools for later maintenance.

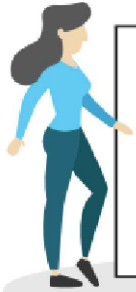


After two weeks, check and tighten any loose hardware and repeat again every six months thereafter.

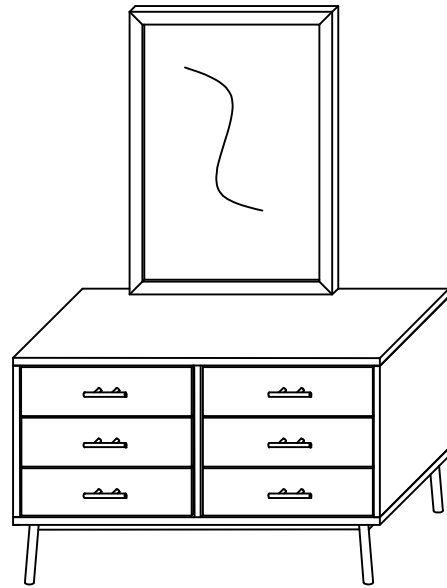
**IT IS THE USER'S RESPONSIBILITY TO MAINTAIN THE FURNITURE. THE HARDWARE MAY LOOSEN OVER TIME AND MAY CAUSE THE FURNITURE TO BE WOBBLY AND UNABLE TO SUPPORT ITS INTENDED WEIGHT CAPACITY. THIS MAY LEAD TO COLLAPSE AND MAY CAUSE SERIOUS INJURY.**

# MIRROR

---



- Please keep instructions for future reference.
- Check the quantity and irregularity of parts and hardware before you start.



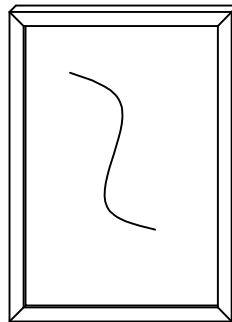
## PARTS

#1 1pc



Dresser

#2 1pc



Mirror

#3 2pcs



Board Support

## HARDWARE

#A 8pcs



Jcbc Bolt M6 x 35mm

#B 1pc



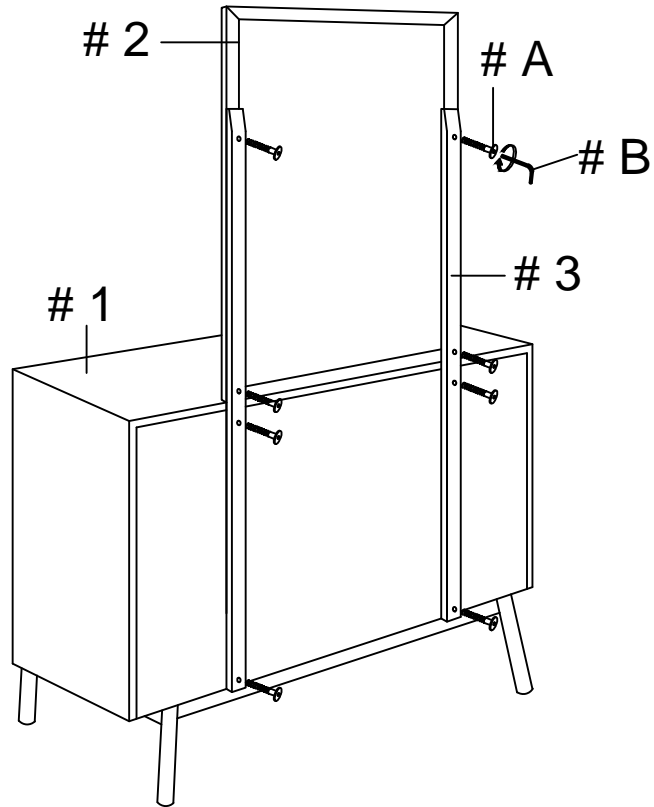
Allen Wrench

# ASSEMBLY INSTRUCTIONS

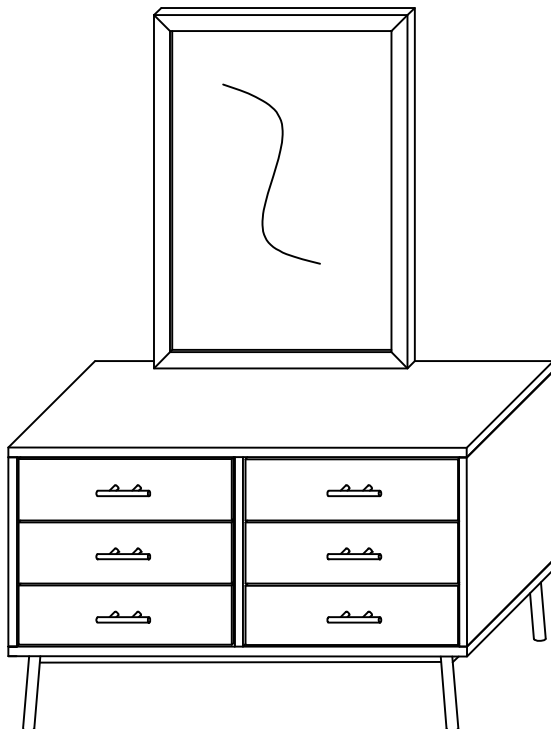
Align the board support (#3) to the dresser (#1) and secure by using bolt (#A).  
Align the mirror (#2) to the board supports (#3) and secure by using bolt (#A).

1

- Part #1 x1pc
- Part #2 x1pc
- Part #3 x2pcs
- Hardware #A x8pcs
- Hardware #B x1pc



2



## ASSEMBLY COMPLETED



Please ensure the furniture rests on an even and flat surface. If the product wobbles or feels loose, double-check all bolts and/or screws are properly tightened and secured.



### Keep this handy!

Please retain this instruction manual and any order-related information for future reference.

This product is intended for RESIDENTIAL USE ONLY and not for commercial use.