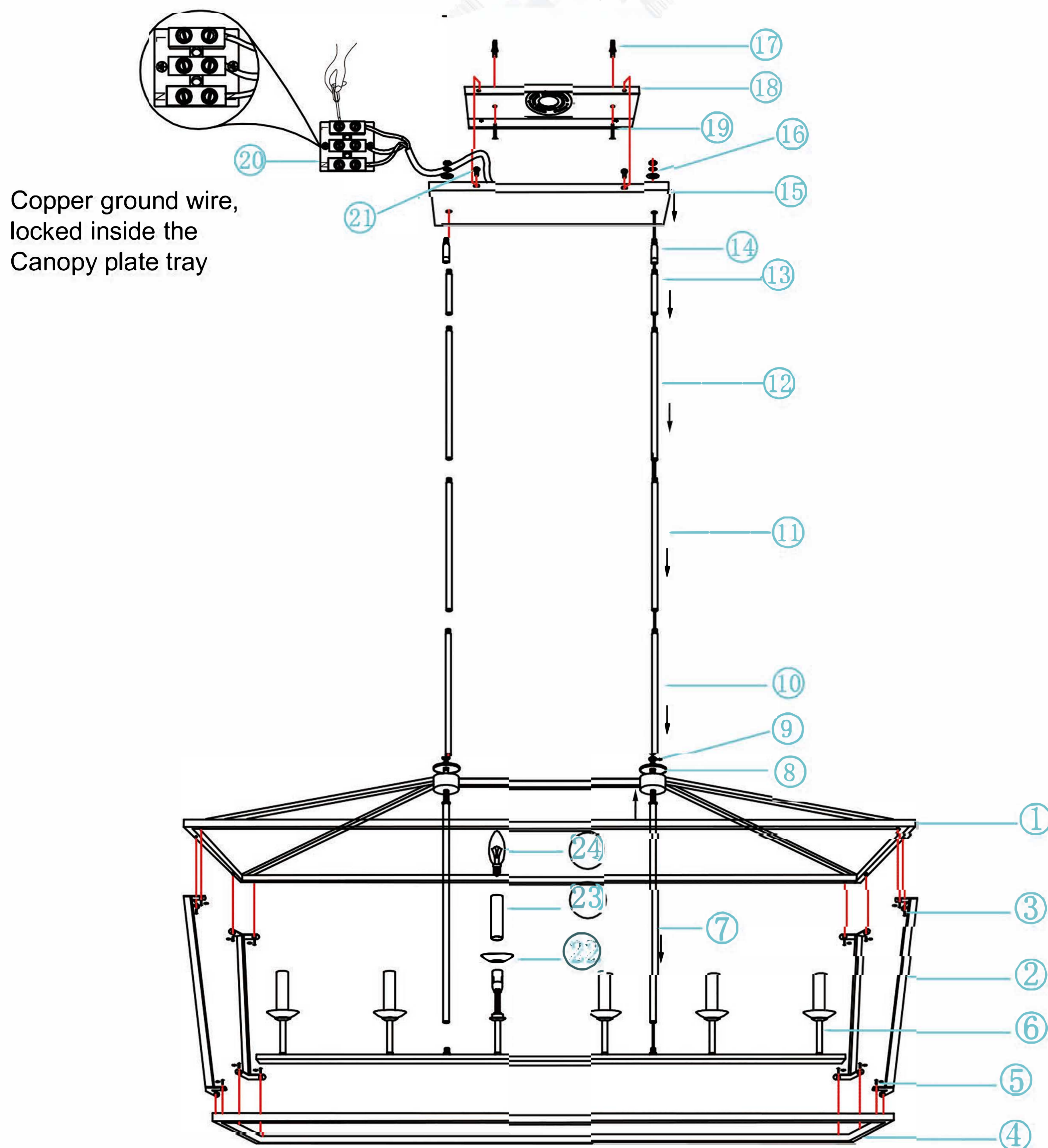


FIXTURE ASSEMBLY STEPS:

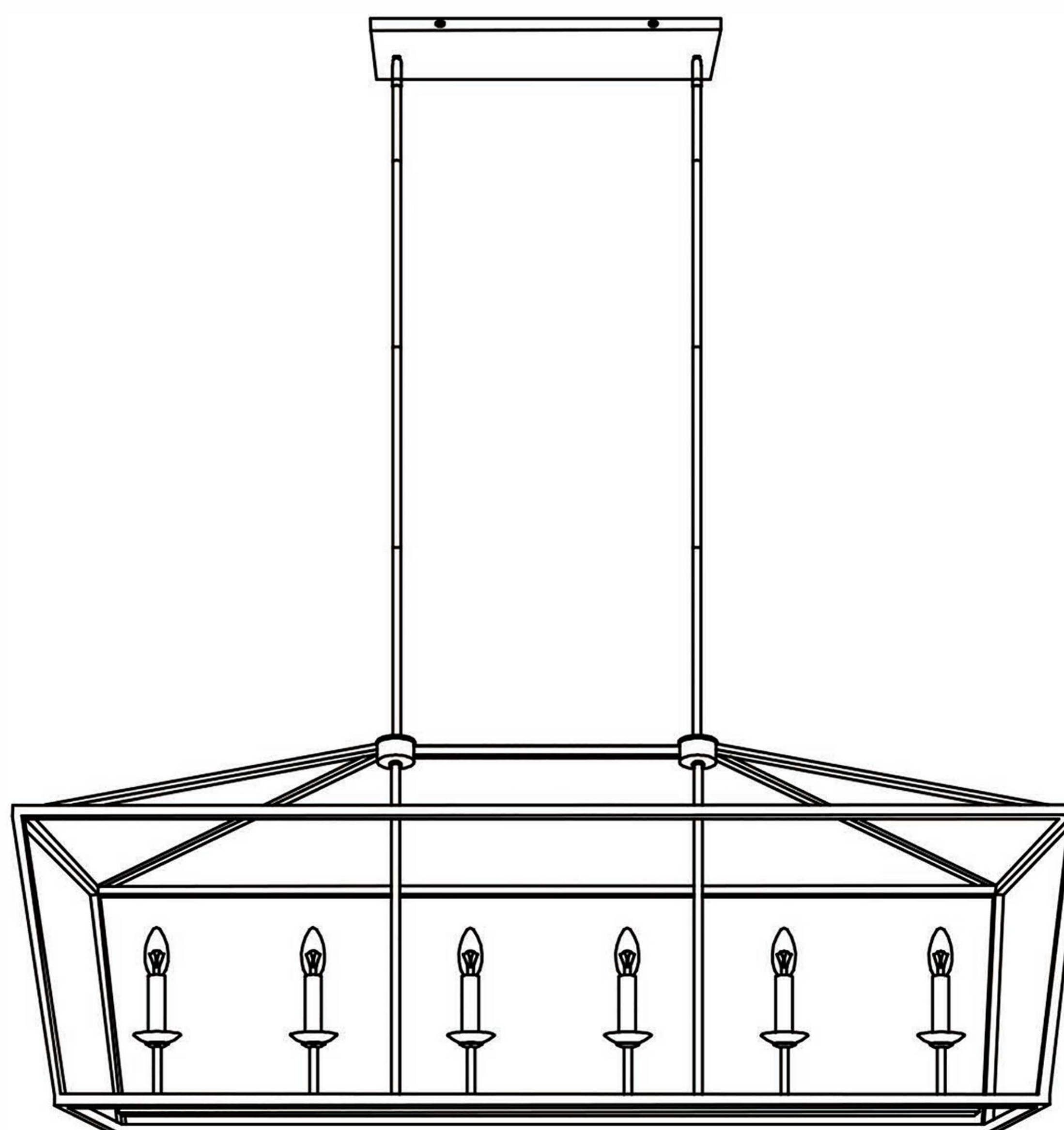
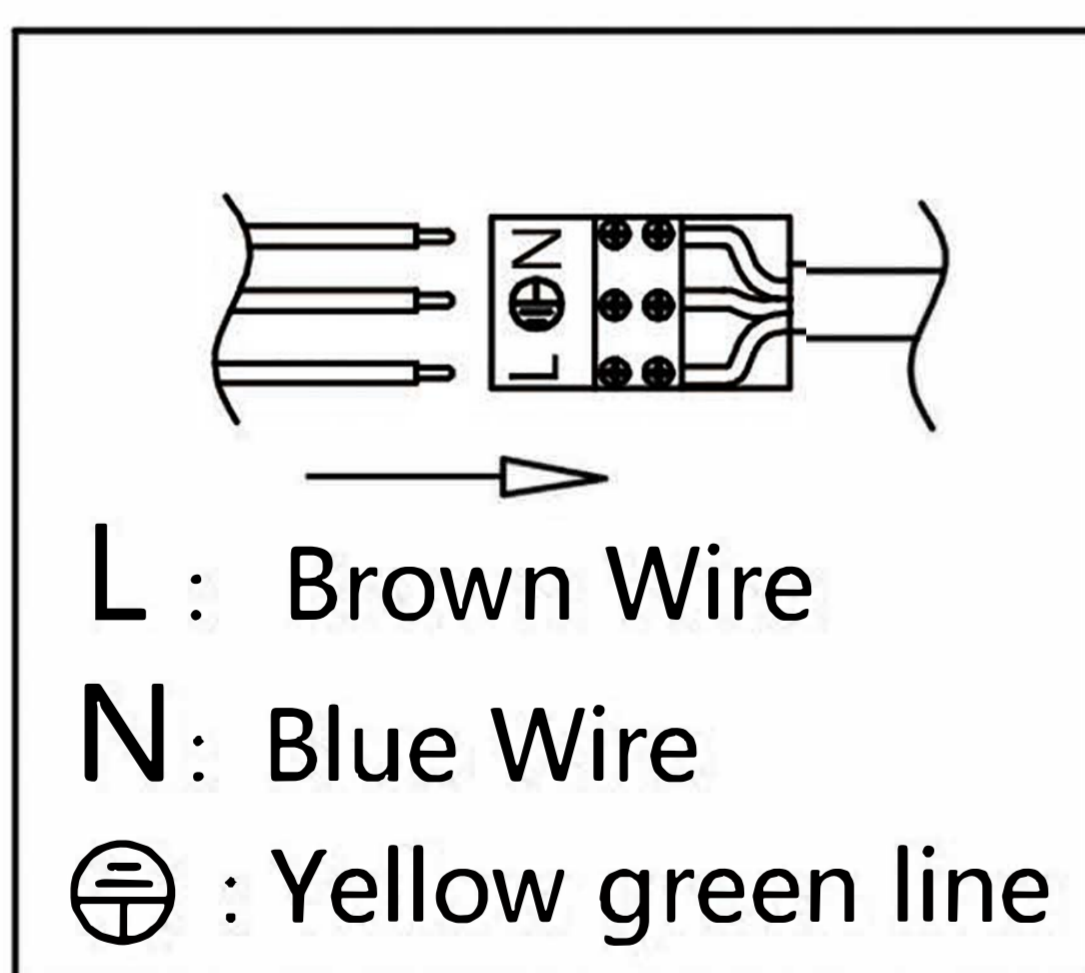
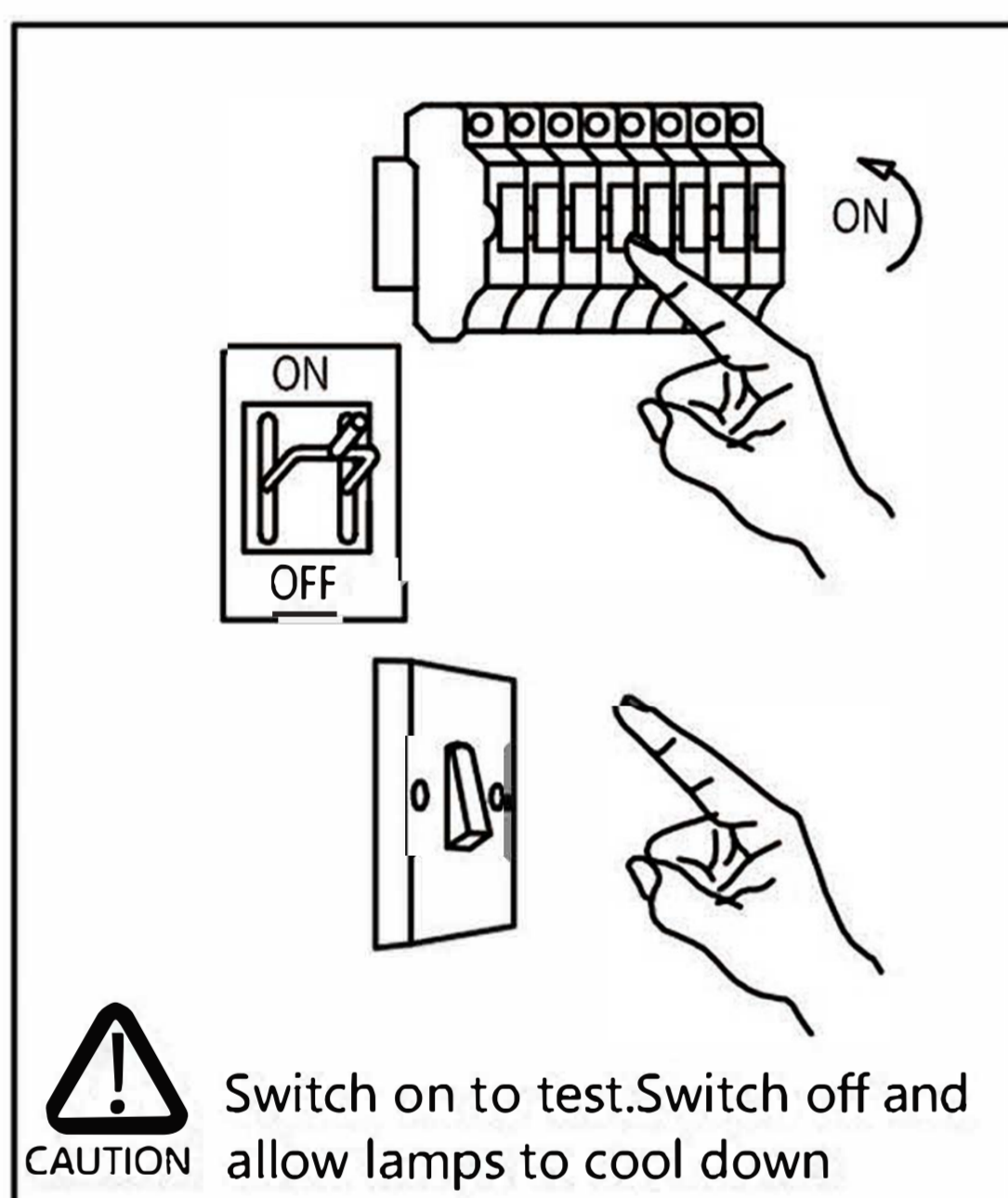
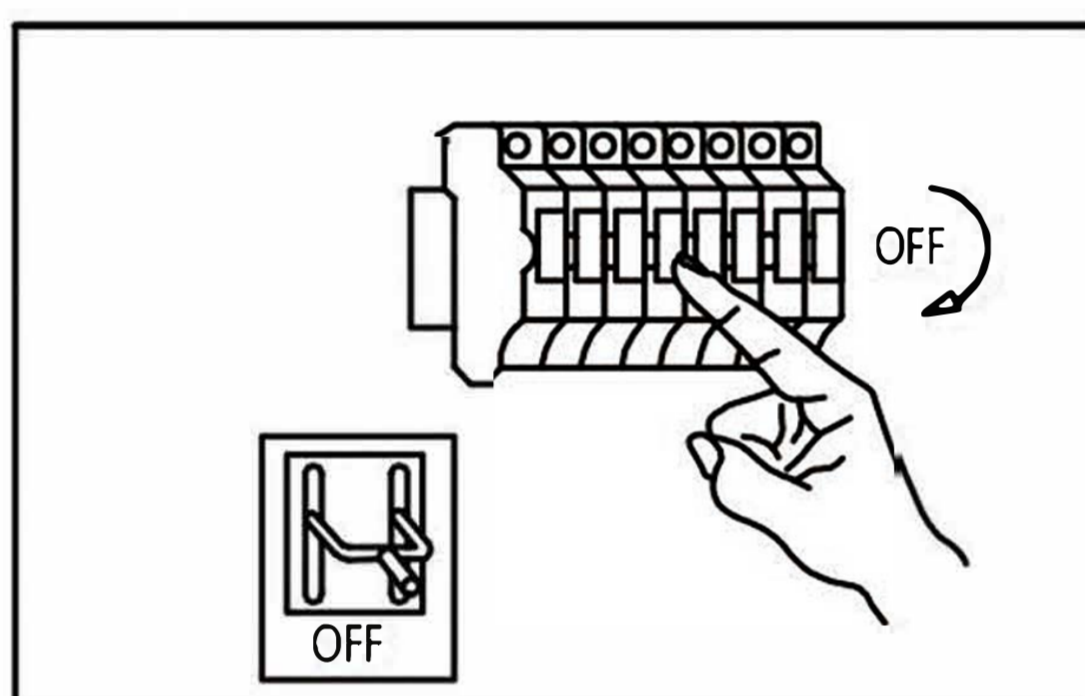


DESCRIPTION	PICTURE	CODE	QTY
Canopy+Mounting Plate		15 /18 / 21	1 SET
Line bank		20	1 PCS
Gecko and wood screw		17 / 19	2 SET
Fix the lamp body frame screws		3 / 5	16 PCS
Down Rod 30.5 cm		10 / 11 /12	6 PCS
Down Rod 8.5cm+Hooke's joint +Reinforce gasket + Nut		13 / 14 / 16	2 SET
Lamp holder casing		23	6 PCS
Flying saucer		22	6 PCS
Lamp body center tube+Nut		7 / 9	2 SET
Lamp Cover		8	2 PCS
Lamp Body		6	1 PCS
Lamp body frame (Lower part)		4	1 PCS
Lamp body frame (support tube)		2	4 PCS
Lamp body frame (upper)		1	1 PCS

WARNING - if any Special Control Devices are used with this Fixture, Follow the instructions Carefully to assure full compliance With N.E.C. requirements. if there are any questions, contact a Qualified Electrical Contractor.
CAUTION - All glass is fragile, use care when handling Glass component(s) and or Lamp(s).

CANOPY MOUNTING & WIRE CONNECTION ASSEMBLY STEPS:

FIXTURE ASSEMBLY STEPS:



220-240V / 50Hz
E14 6*MAX 60W TYPE B
(Do not contain light bulb)

1. AC220~240V,50Hz.The Max lamps power is 60W TYPE B Bulb.
2. Avoid to scratch the surface of lighting and the wires when install it.
3. Connect the live wire with the Brown wire (L) ,Connect the netural wire to the Blue wire(N) ,Yellow-green wire grounding wire (⊕) (L-L,N-N, ⊕ ⊕)
4. Don't install it to the ceiling before it's completely dry, thesurrounding around must be ventilated and dry.
5. Keep away from the acid, basicity objects and gases, clean withsoft cloth, water washing is not allowed.
6. Be careful when you install glass lamp shade
7. The lighting must be installed by professional electrician and used indoor only.
8. Please keep attention to cut off the power supply when installing, cleaning, and replacing bulb.