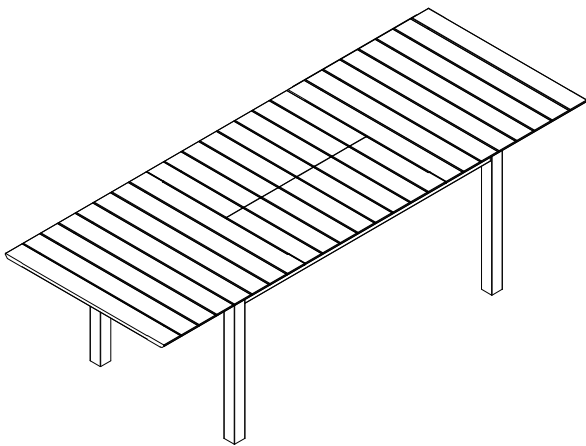


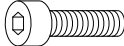

Thank you for purchasing the Table 1

Before you start, here is some helpful advice:

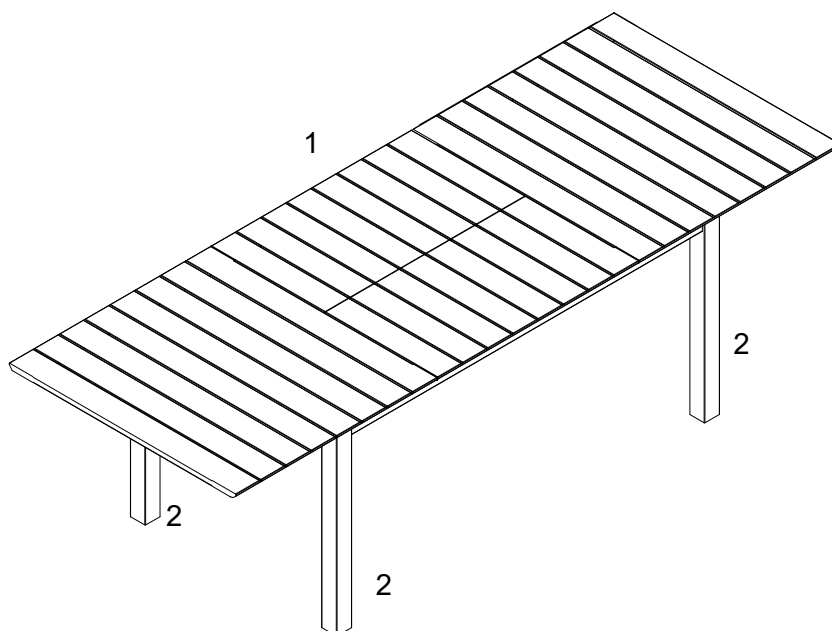
1. We suggest you spend a short time reading through this leaflet and then follow the simple step by step instructions.
2. Owing to the size and weight of the table, we recommend that it is assembled by two adults, on a carpeted or padded area, in the room that it is intended for. Approx assembly time: 30 minutes.
3. Please do not use any tools other than those provided or recommended in these instructions.
4. Please do not throw away any of the packaging or the instruction until you have checked all the components and hardware and the furniture is fully assembled. Please ensure that the packaging is disposed of in a safe environmentally friendly way.
5. Assemble all components loosely until advised to tighten. Depending on use, it may be necessary to tighten the components from time to time, so please save the tools that has been provided.
6. Please keep all fitting out of reach of children.



Hardware:

- | | | | |
|---|--|--------------|----|
| A |  | Bolt M8x35mm | x8 |
| B |  | Allen Wrench | x1 |

Component:



1 Table Top x1

2 Leg x4

TABLE

STEP 1:

Remove the plastic covers which pre-install in the end of the **Table Top (1)** by using **Allen Wrench (B)**.

Please put the **Table Top (1)** upside down on a carpeted or padded area.

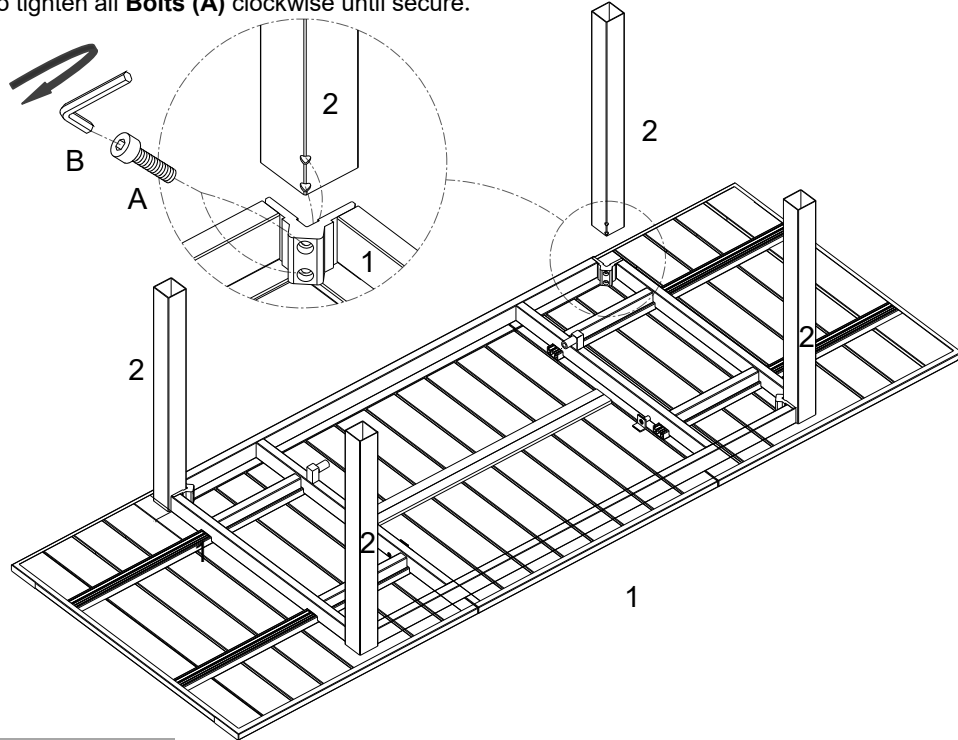
Position 1 piece of **Leg (2)** at one of four metal corners.

Insert 2 pieces of **Bolts (A)** into the corner to connect the **Leg (2)**.

Do not fully tighten **Bolts (A)** at this step.

Repeat the same steps for the remaining 3 pieces of **Leg (2)**.

Use **Allen Wrench (B)** to tighten all **Bolts (A)** clockwise until secure.



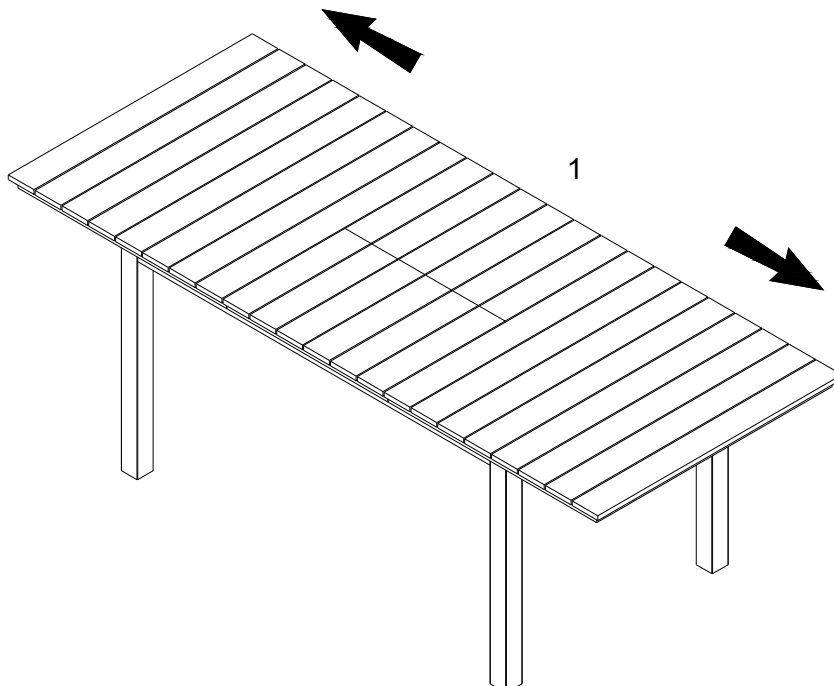
Ax8	Bx1

Hardware & Tool required

STEP 2:

Carefully turn over the assembled table.

To Shorten the table, slides the **Table Top (1)** apart as shown.

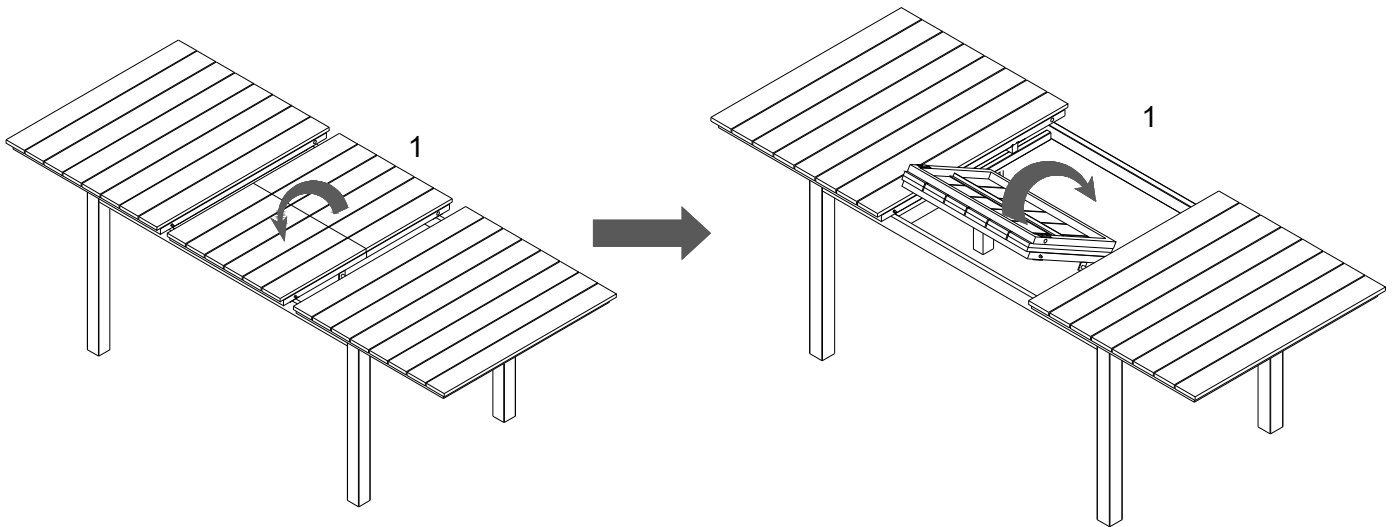


TABLE

STEP 3:

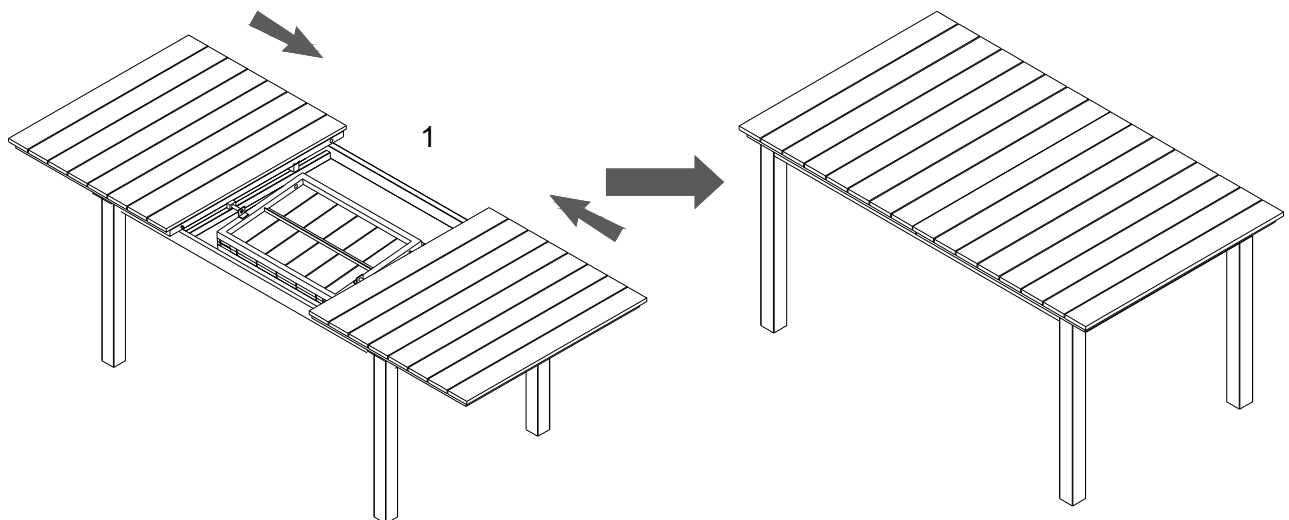
Lift one side of the leaf as shown.

Then lift both leaf ends together and flip up the leaf to under the **Table Top (1)** as shown.



STEP 4:

Carefully shorten the table by two adults.



Assembly is completed. The table is ready to enjoy now!