

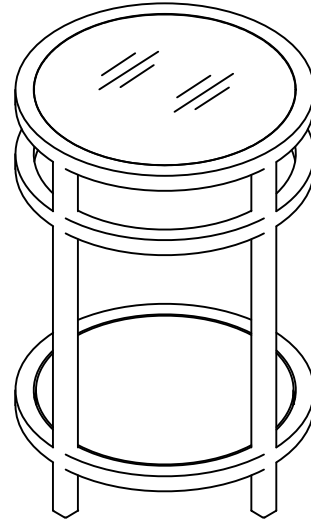
# ASSEMBLY INSTRUCTIONS

## BEFORE YOU START:

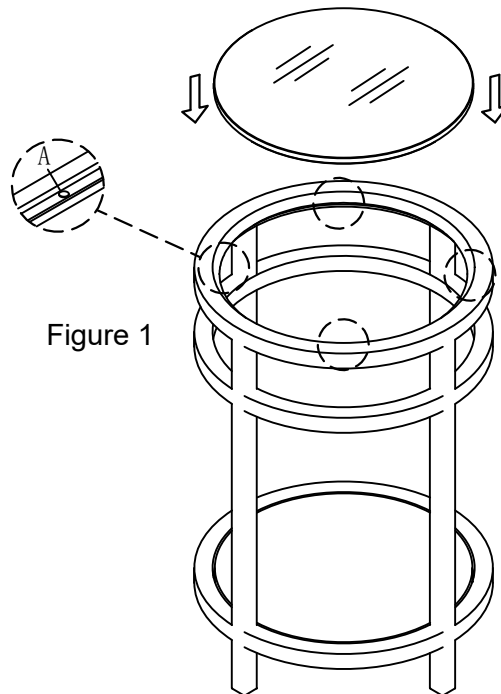
1. Check the hardware against the hardware list to make sure all items are present.
2. Assemble your furniture on a soft, flat surface to avoid scratching the finish.
3. **CAUTION:** Do not over tighten screws, nuts or bolts during assembly.
4. Your furniture may require occasional tightening.

## INSTRUCTIONS:

Step 1. Place glass on the top frame. Use the plastic pad (A) to install the glass as shown in Figure 1.



074-914  
ROUND END TABLE



HARDWARE LIST			
A	○	Plastic Pad (Ø10*1mm)	4pcs