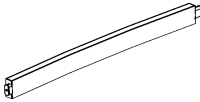
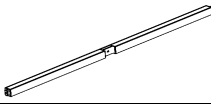
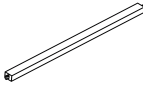
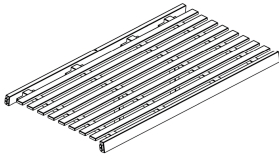

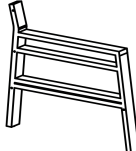
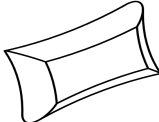
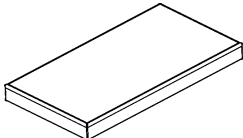

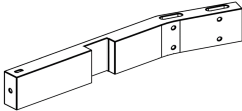


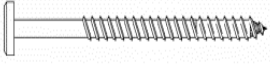



**Hello! Please read these important attentions...**

Please put a thick carpet on the ground to protect the furniture finish and corners. During the installation process, **DON' T** fasten screws tight 100% at a time.

# ASSEMBLY INSTRUCTION

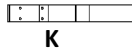
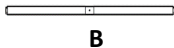
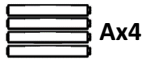
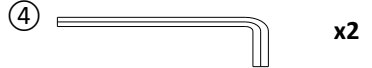
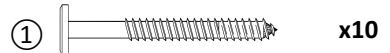
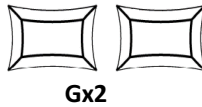
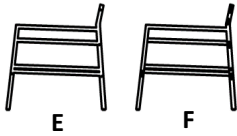
| NUMBER | COMPONENT  | QUANTITY |
|--------|--|----------|
| A      |  Upper Back Slat    | 4        |
| B      |  Middle Back Slat   | 1        |
| C      |  Lower Back Slat    | 2        |
| D      |  Seat Panel         | 1        |
| E      |  Right Leg Panel    | 1        |
| F      |  Left Leg Panel    | 1        |
| G      |  Back Cushion     | 2        |
| H      |  Seat Cushion     | 1        |
| I      |  Support Leg      | 2        |
| K      |  Back Support Bar | 1        |

# ASSEMBLY INSTRUCTION

| NUMBER | COMPONENT   | QUANTITY |
|--------|---|----------|
| ①      |  | 10       |
| ②      |  | 6        |
| ③      |  | 5        |
| ④      |  | 2        |

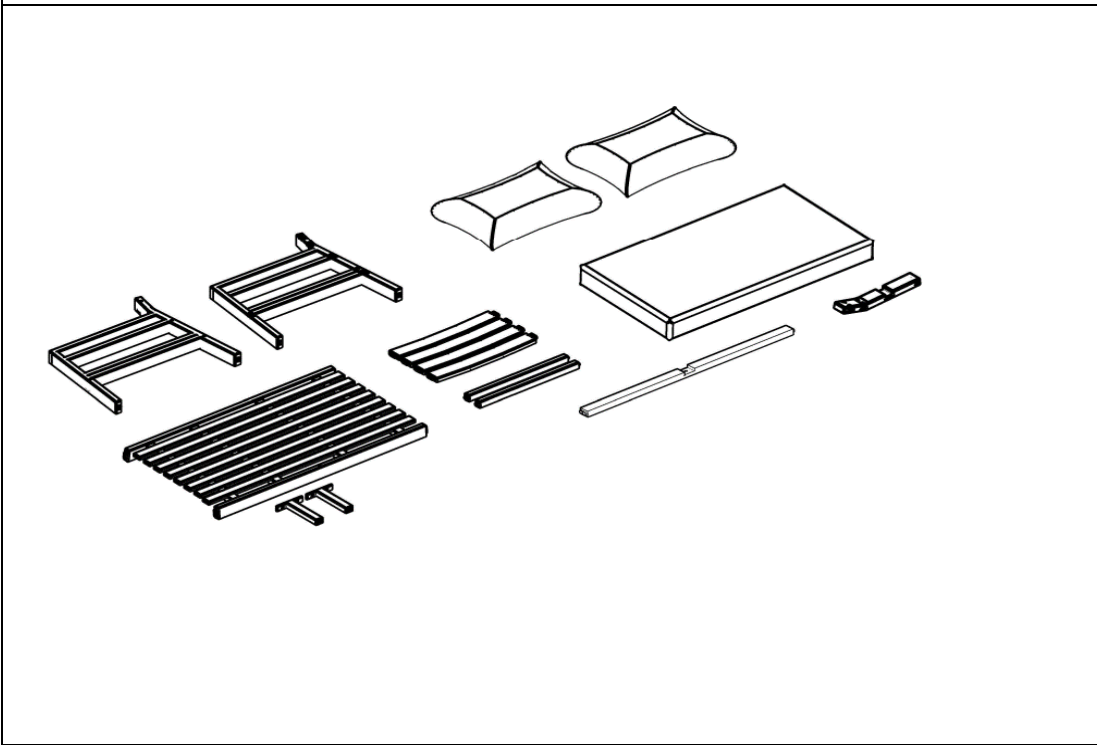
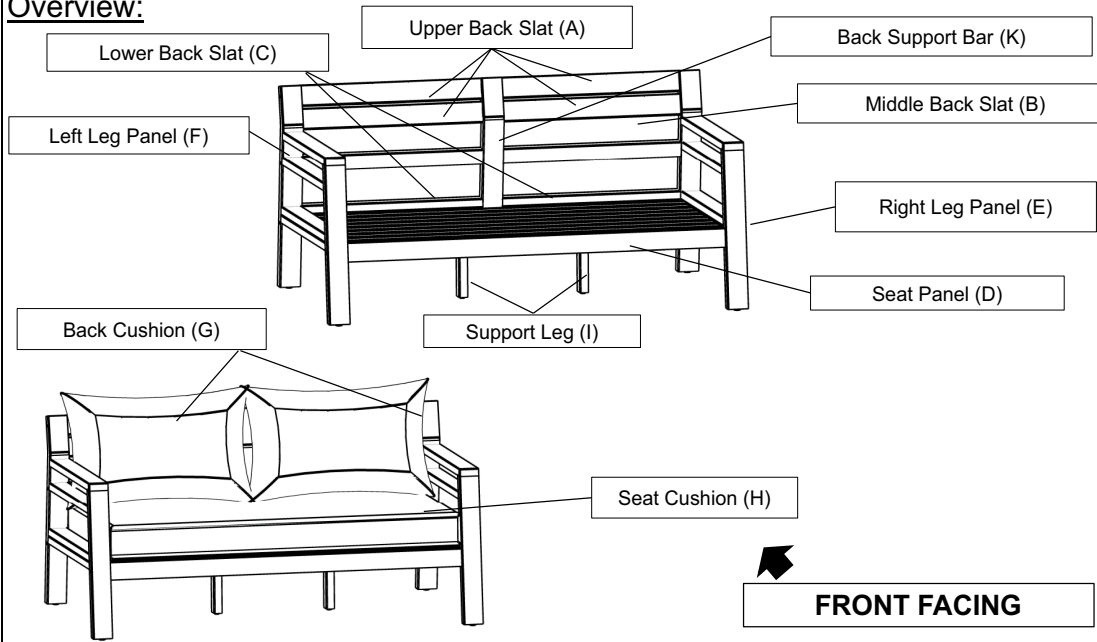
## Assembly Preparation:

Before Beginning Assembly:



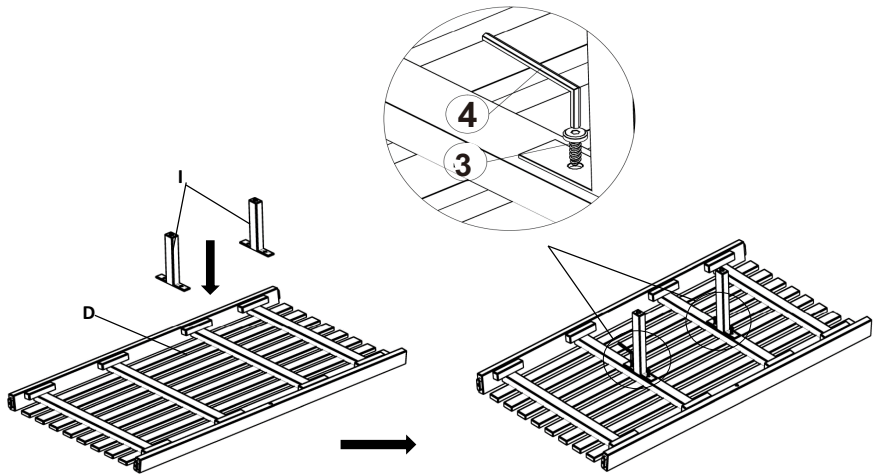
# Assembly Steps:

## Overview:



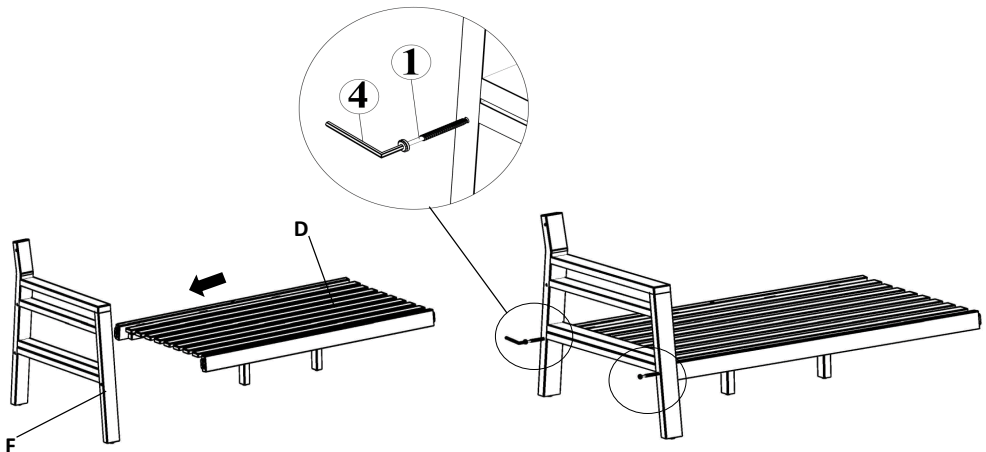
# ASSEMBLY INSTRUCTION

①



With the help of your adult partner, place the Seat Panel (D) with its underside skywards onto a clean, soft surface to avoid any scratch or damage to the product.  
Attach the Support Leg (I) to the Seat Panel (D) by using Screws (3) and Allen Wrench (4) as shown above.

②

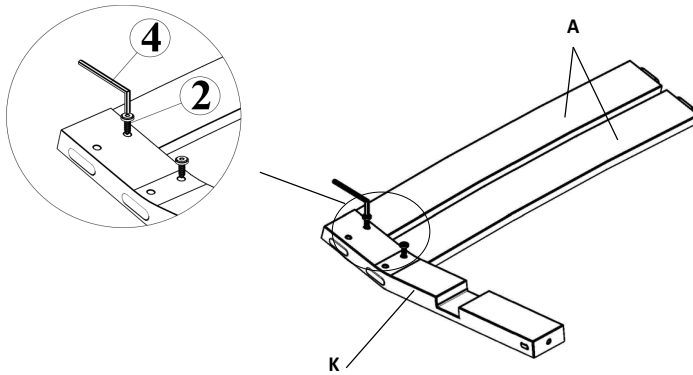


With the help of your adult partner, turn the assembled part in Step 1 right side up.  
Attach the Left Leg Panel (F) to the Seat Panel (D) and then secure by using Screws (1) and Allen Wrench (4) as shown above.

**Note : only eighteen 80%.**

# ASSEMBLY INSTRUCTION

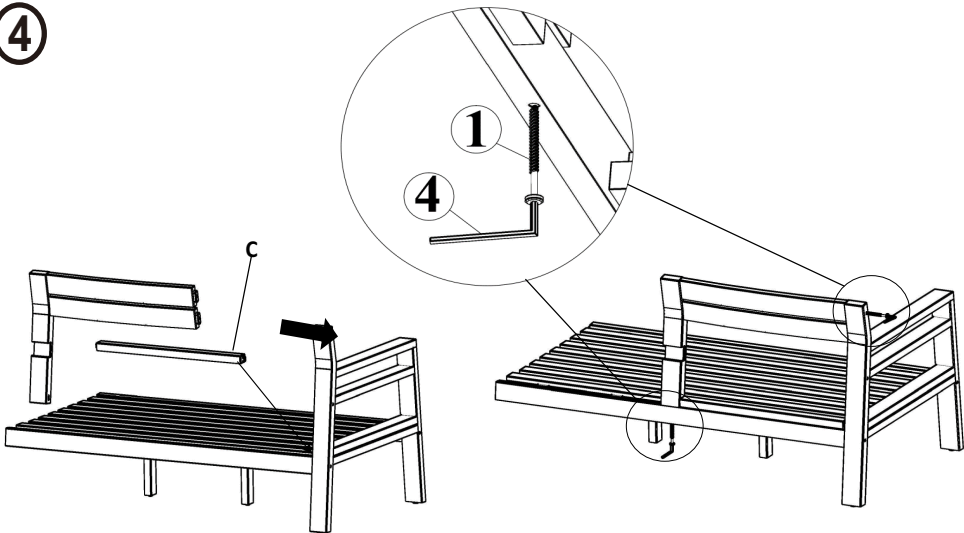
③



Attach 2 Upper Back Slats (A) to the left side of the Back Support Bar (K) by using Screws (2) and Allen Wrench (4) as shown above.

**Note : only eighteen 80%.**

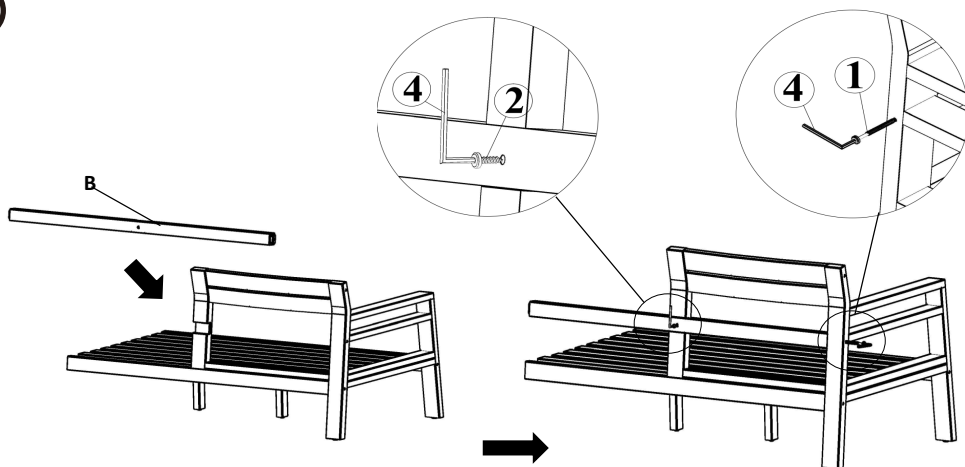
④



With the help of your adult partner,  
Put the tenon of the Lower Back Slat (C) to the mortise of Back Support Bar (K) in the assembled part in Step 3 and then put the tenons of above frame to the mortises of Left Leg Panel (F) as shown above.  
Secure the Left Leg Panel (F) to the Upper Back Slat (A) by using Screw (1) and Allen Wrench (4) as shown above.  
Secure the Back Support Bar (K) to the Seat Panel (D) by using Screws (1) and Allen Wrench (4) as shown above.

# ASSEMBLY INSTRUCTION

5

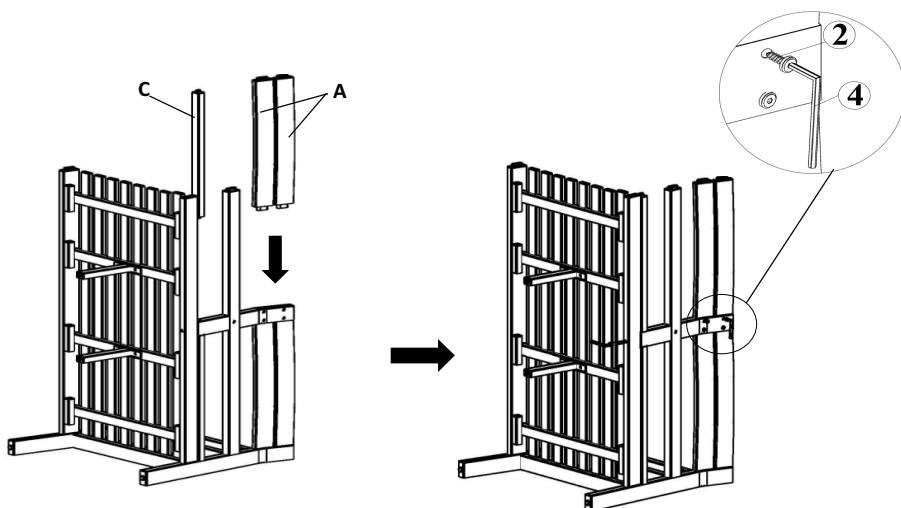


Attach the Middle Back Slat (B) to the assembled part in Step 5 and then, Secure the Middle Back Slat (B) to the Back Support Bar (K) by using Screw (2) and Allen Wrench (4) as shown above.

Secure the Middle Back Slat (B) to the Left Leg Panel (F) by using Screw (1) and Allen Wrench (4).

**Note : only eighteen 80%.**

6



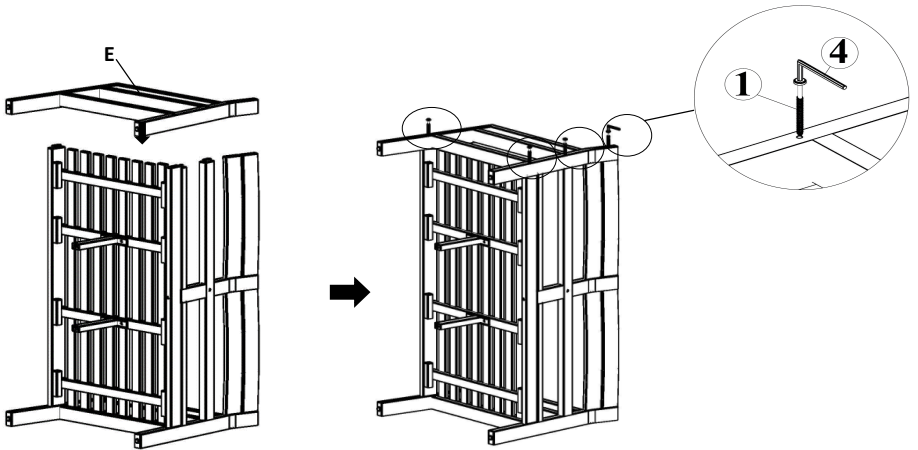
With the help of your adult partner, turn the assembled part in Step 6 left side down and put the tenons of the remaining Upper Back Slats (A) and Lower Back Slat (C) to the mortises of the Back Support Bar (K) as shown above.

Then secure the Upper Back Slats (A) to the Back Support Bar (K) by using Screws (2) and Allen Wrench (4) as shown above.

**Note : only eighteen 80%.**

# ASSEMBLY INSTRUCTION

7



With the help of your adult partner, attach the Right Leg Panel (E) to the assembled part in Step 7 and then secure the Right Leg Panel (E) to the Seat Panel (D), Middle Back Slat (B) and Upper Back Slats (A) by using Screws (1) and Allen Wrench (4) as shown above.

**Note : only eighteen 80%.**

8

