



Assembly Instruction Manual

Please read instructions thoroughly before beginning assembly.

Check boxes carefully for contents listed. Some parts are packaged inside of others.

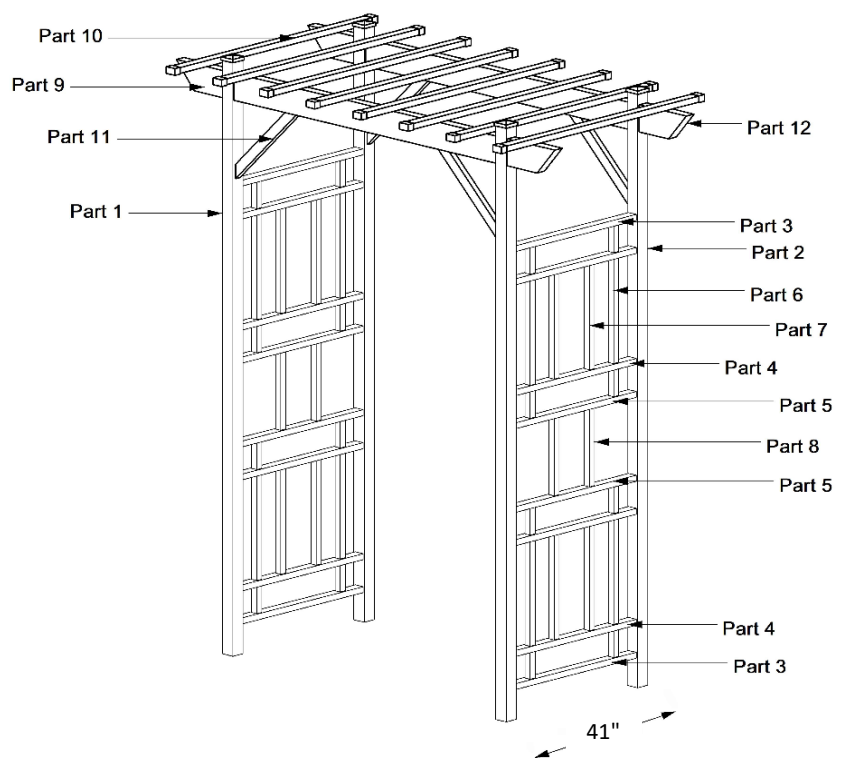
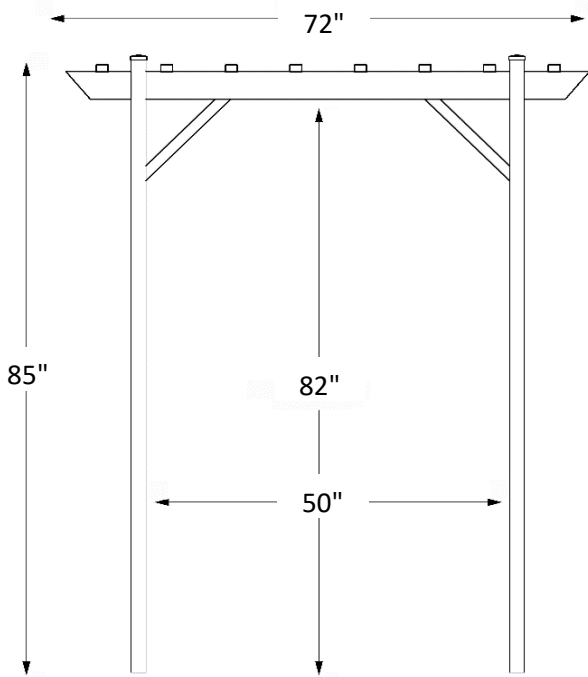
Assemble on a clean, flat, non-abrasive surface to prevent scratching.

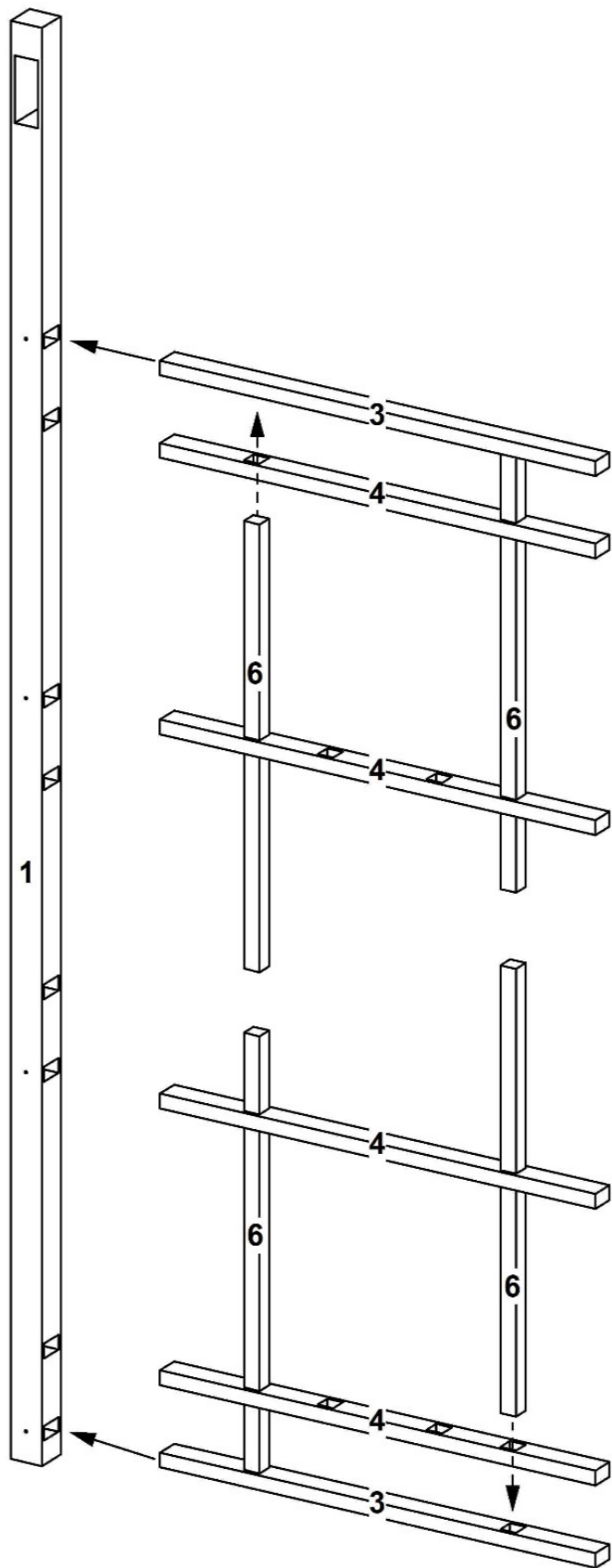
In the event of missing or damaged parts please call or email our customer service department at the contact info below.

Tools Required

- Battery or Electric Drill (#2 phillips bit)
- Tape Measure
- Hammer or Rubber Mallet (Recommended)
- Shovel or Post Hole Digger (Recommended)

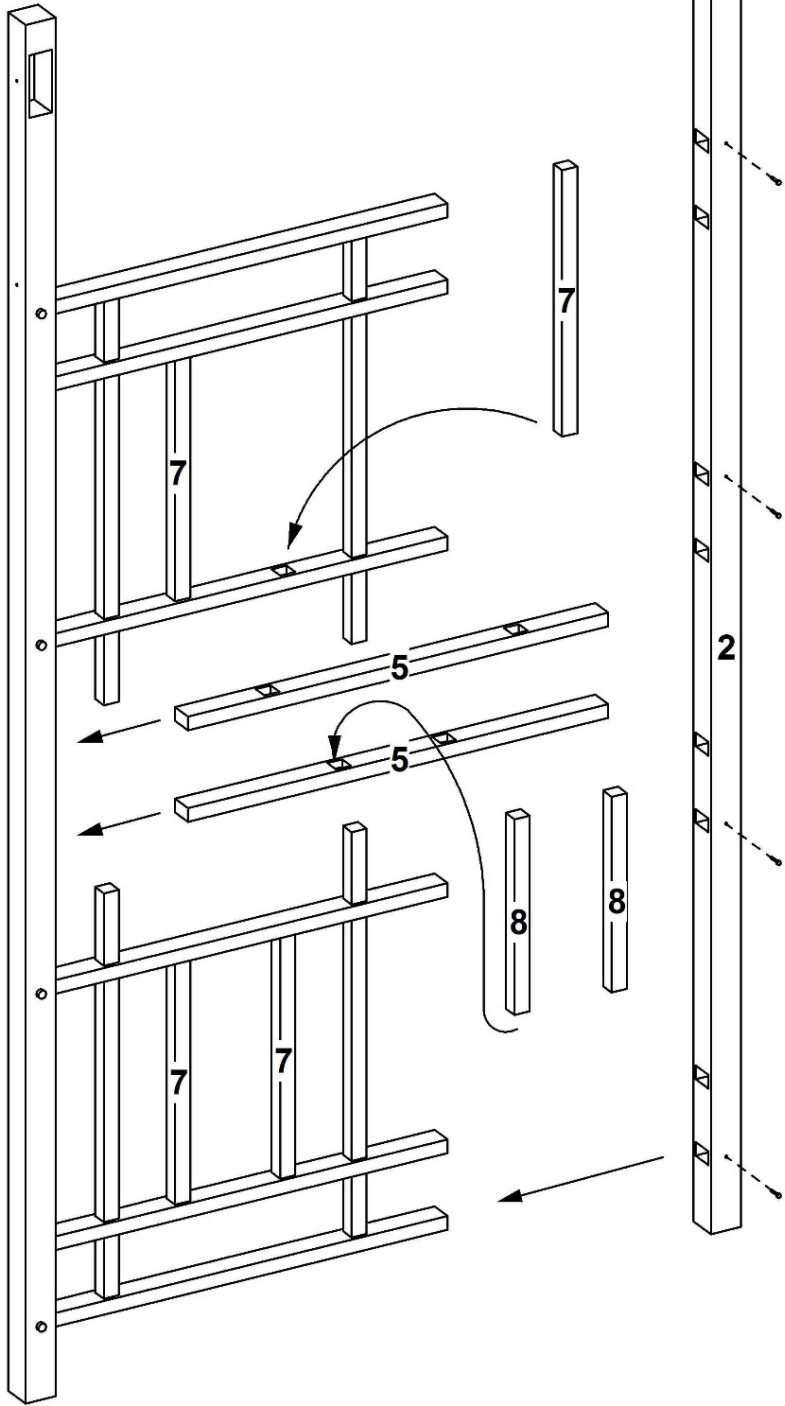
Part #	Description	Dimension	Box #	Qty
1	Left Post	2" sq. x 84"	1	2
2	Right Post	2" sq. x 84"	1	2
3	Outer Cross Rail	7/8" x 1 1/2" x 27 1/2"	1	4
4	Inner Cross Rail	7/8" x 1 1/2" x 27 1/2"	1	8
5	Center Cross Rail	7/8" x 1 1/2" x 27 1/2"	1	4
6	Vertical Rail	1" x 1" x 26 1/2"	1	8
7	Vertical Rail	1" x 1" x 16 3/4"	1	8
8	Vertical Rail	1" x 1" x 13"	1	4
9	Top Rail	1 1/2" x 4" x 72"	1	2
10	Top Cross Rail	7/8" x 1 1/2" x 41"	1	8
11	Corner Brace	7/8" x 1 1/2" x 18"	1	4
12	Top End Cap	5 3/8"	1	4
13	Ground Anchor	14"	1	1
14	Hardware Bag (Includes):		1	1
	▪ Post Cap	2" square		4
	▪ End Cap	7/8" x 1 1/2"		16
	▪ Painted Screw	1 1/4"		28
	▪ Painted Screw	3/4"		16
	▪ Painted Self Tapping Screw	1" (#8)		8
	▪ Super Glue	Tube		1





1 Starting at bottom of one 84" left post (part 1), insert one 27½" outer cross rail (part 3) and two 27½" inner cross rails (part 4). When inserting two inner cross rails insert sides with four routed holes facing each other. Insert two 26½" vertical rails (part 6) through outer holes of inner cross rails and into outer holes of outer cross rail.

2 Starting at top of same 84" left post, insert another 27½" outer cross rail (part 3) and two more 27½" inner cross rails (part 4). When inserting two inner cross rails insert sides with four routed holes facing each other. Insert to 26½" vertical rails (part 6) through outer holes of inner cross rails and into outer holes of outer cross rail.



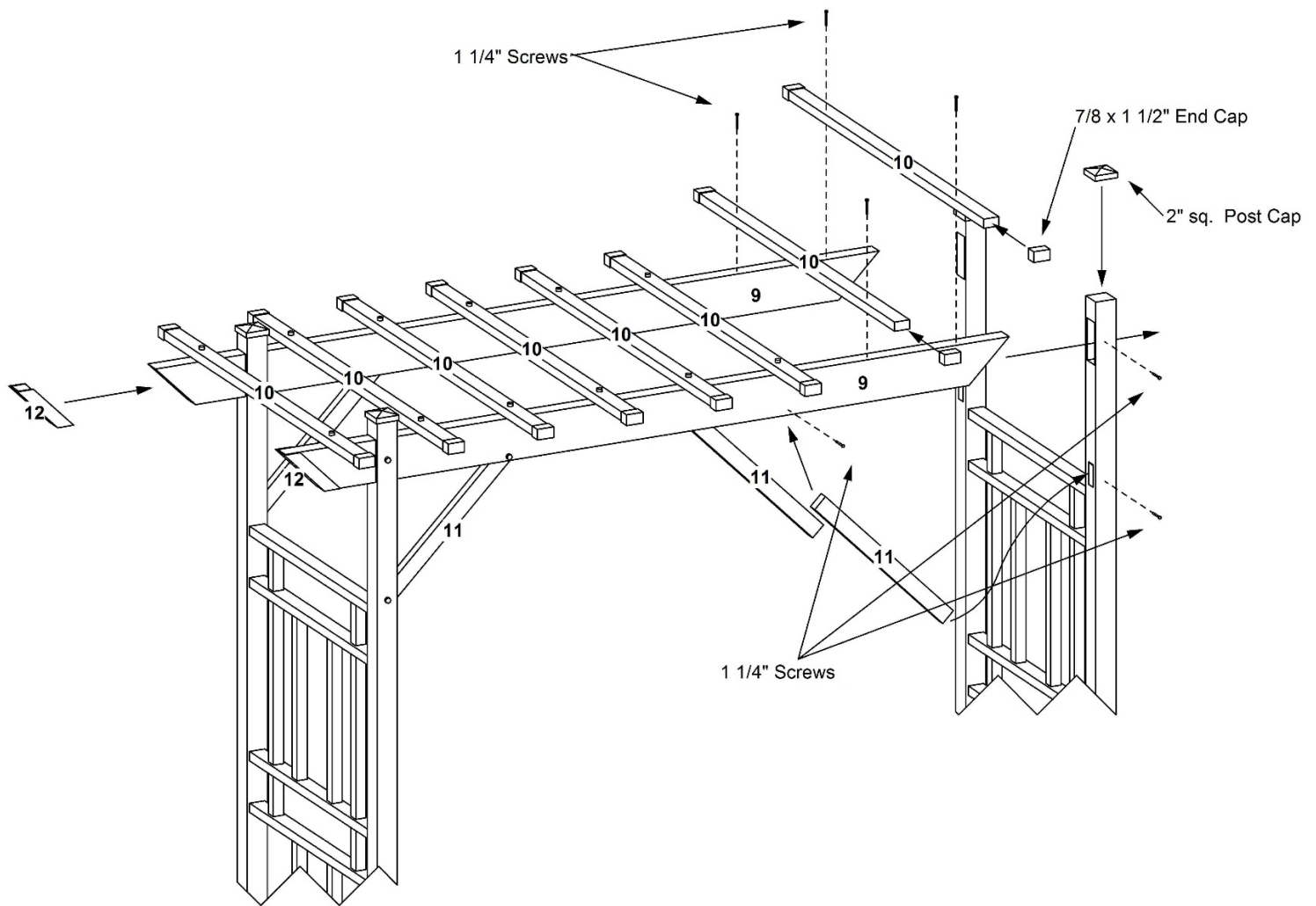
3

Insert two 27½" middle cross rails (part 5) into remaining routed holes in side of post, inserting free ends of 26½" vertical rails into middle cross rail. Insert four 16¾" vertical rails (part 7) into remaining holes in inside cross rails. Insert two 13" vertical rails (part 8) into remaining holes in middle cross rails. Insert free ends of cross rails into one 84" right post (part 2).

3/4" Screws

4

Using eight ¾" screws, fasten together arbor panel. Be sure all parts are fully inserted into posts before securing. REPEAT steps to assemble second arbor panel.

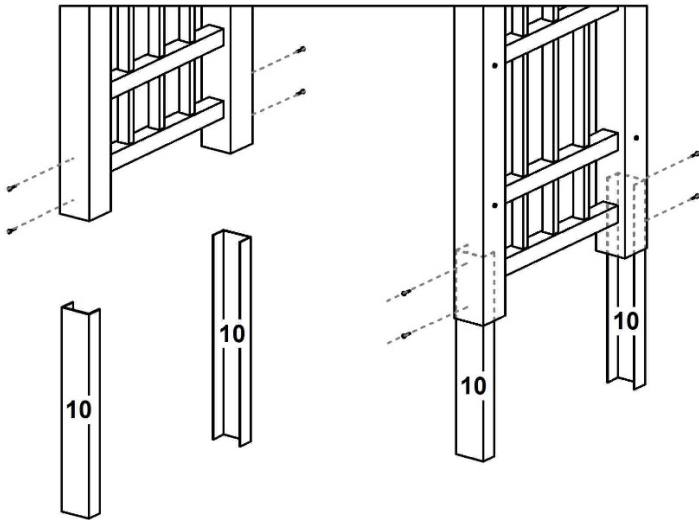


5 Insert two 18" corner braces (part 11) into each 72" arbor top (part 9). Slide ends of arbor top rail through holes at top of post, inserting corner braces into posts. Measure 9 inches from tips of arbor top rails and slide posts so outside of post in 9 inches from end of arbor top rails. Using two 1¼" screws per post, fasten together posts, arbor top rails and corner braces.

6 Using two 1¼" screws per part, fasten all eight arbor top cross rails (part 10) to arbor top rails, using small pilot holes to line up screws.

7 Using included super glue tube, glue 7/8 x 1½" end caps onto ends of each arbor top cross rail. Glue four 5/8" arbor top end caps (part 12) onto ends of arbor top rails. Glue four 2" sq. post caps onto tops of post.

Ground Anchor Installation

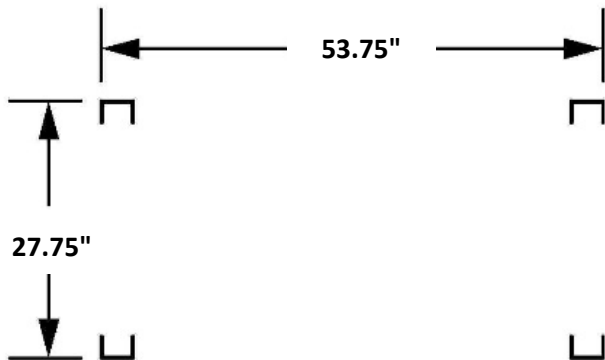


Option 1 (soft ground)

Slide one ground anchor (part 10) into bottom of each post until it meets bottom cross rail. Using two 1" self-tapping screws per post, screw the post to ground anchor using the pilot holes for guides.

Using ground anchor installation layout drawing, dig holes approximately 16" deep. Set arbor in holes and level. Back fill with soil removed from holes.

Ground Anchor Installation Layout



Option 2 (permanent installation)

NOTE: There is very little room for error with this installation method.

Using ground anchor installation layout drawing, dig holes 16" deep according to dimensions. Fill with cement and place ground anchors in wet cement. Be sure that ground anchors are straight and in accordance with dimension of ground anchor installation layout drawing. Allow cement to dry.

Slide arbor over ground anchors. Using two 1" self-tapping screws, fasten post to ground anchor.

Warranty Statement

20 Year Guarantee

Our products are warranted to be free from manufacturing defects resulting in delaminating, peeling, flaking, corroding, cracking, crazing, or extreme amounts of fading or bleaching causing the PVC to change to its natural color for a period of 20 years from the date of purchase.

Normal weathering is defined as exposure to sunlight and extremes of weather and atmosphere which will cause any colored surface to gradually fade.

CONDITIONS NOT COVERED BY THIS WARRANTY:

- A. Physical abuse, misuse, neglect, or improper storage.
- B. Improper installation or installation not in strict adherence to the instructions written by us.
- C. This warranty does not apply if materials are painted, varnished, or coated with any substance.
- D. We are not responsible for damages to product during shipping.
- E. Damage attributable to atmospheric pollutants, hail, lightning, hurricane, tornado, wind borne objects, earthquake, fire, mildew, casualty, act of God, building or ground settlement, or subsection to stress or weight.

CLAIMS AND REMEDIES:

If our product is determined to have a manufacturing defect which is covered by this warranty, we will replace the material containing the defect (labor not included) F.O.B from the point of manufacture. We will not be responsible for any cost incurred in the removal or reinstallation of the product.

Important: All claims must be sent to the following address and should describe the defect claim.

We reserve the right to discontinue or change its design and/or color. If the original color or style is not available, we shall have the right to substitute a product designated by us.

We shall not be liable for any incidental, special, or consequential damages arising out of the use of these products.