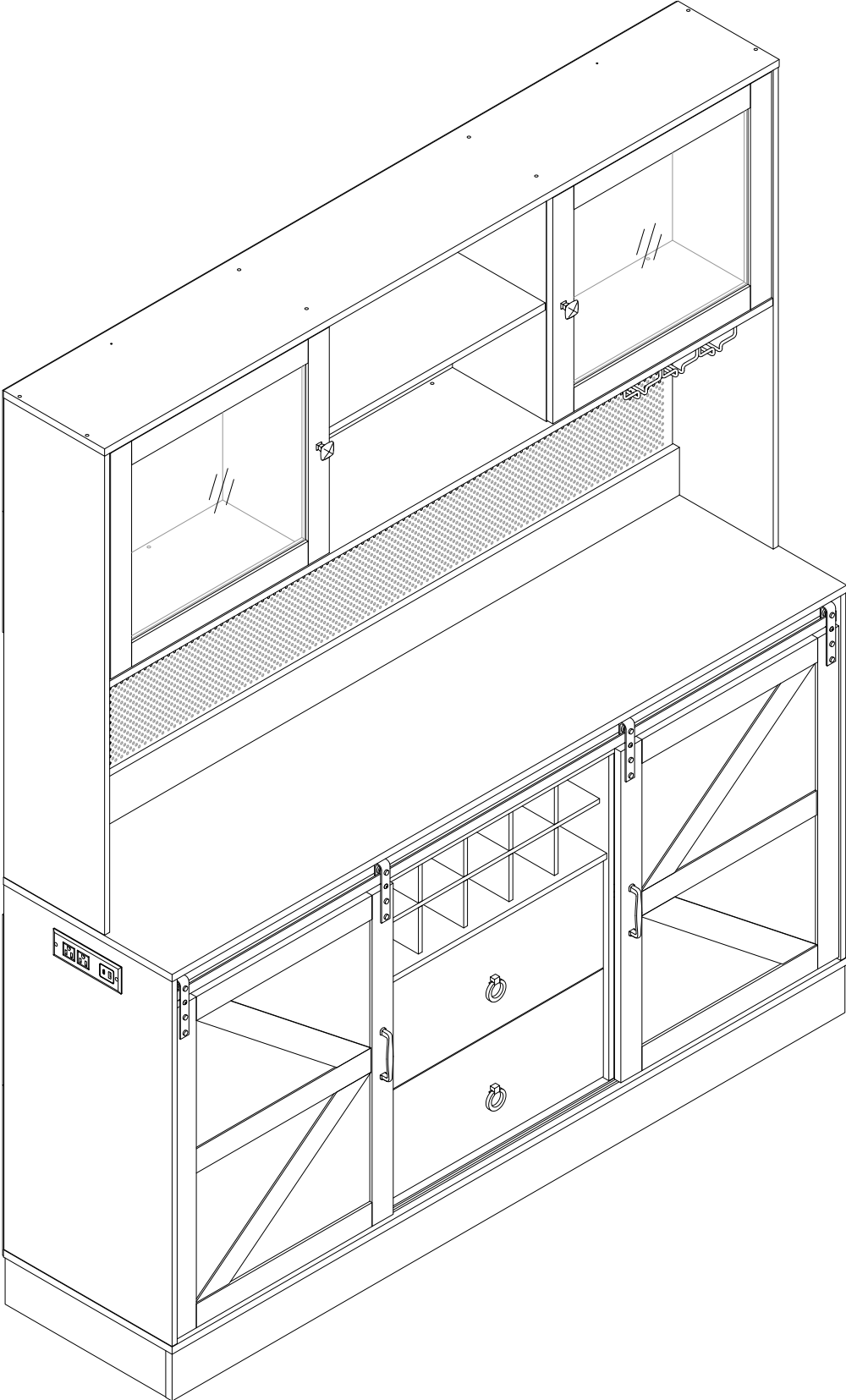
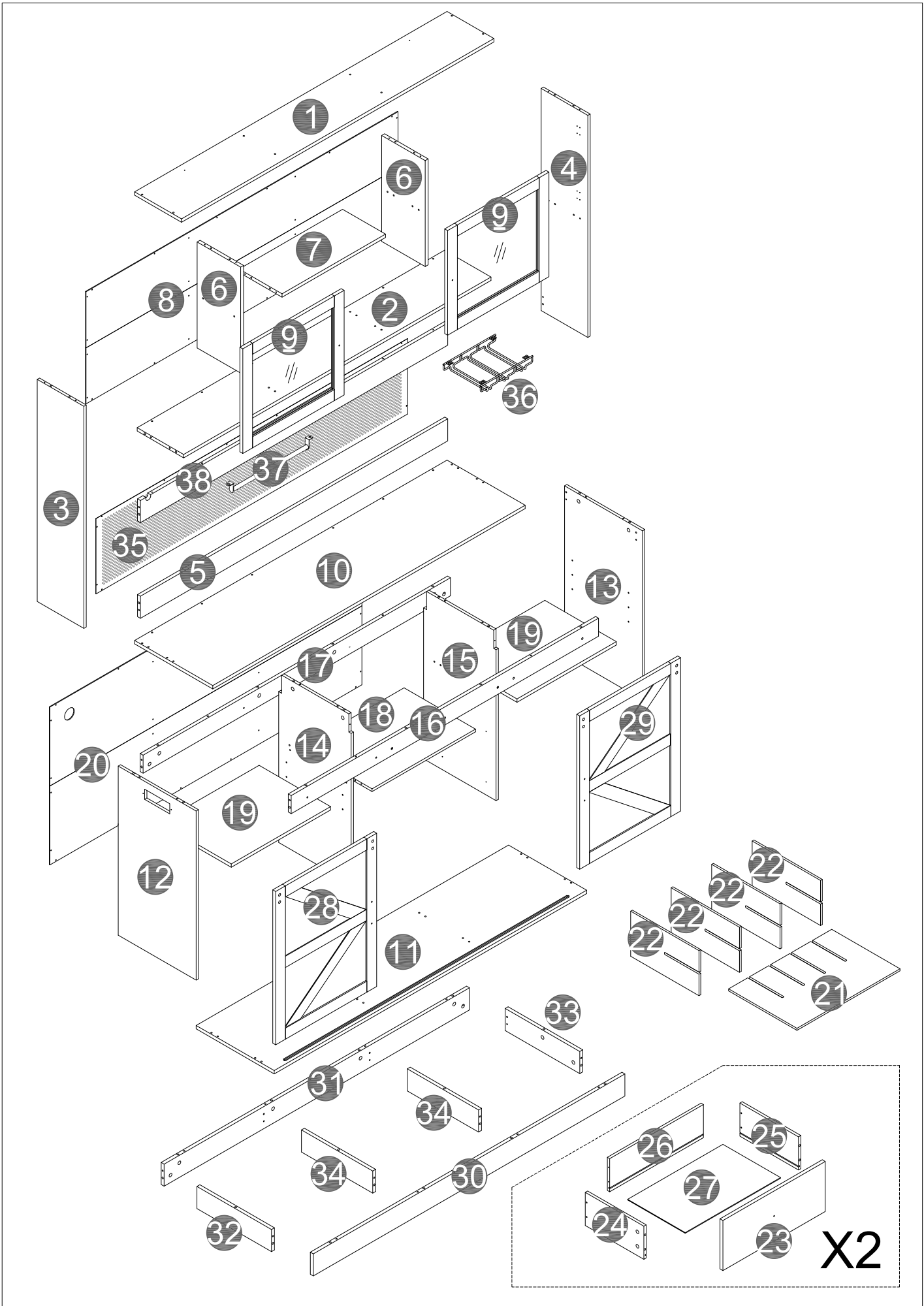
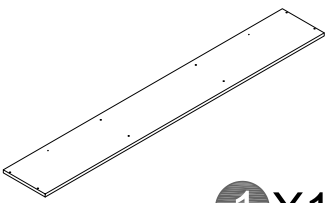
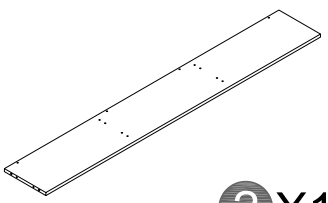

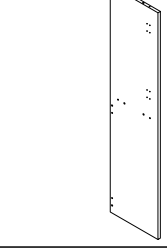
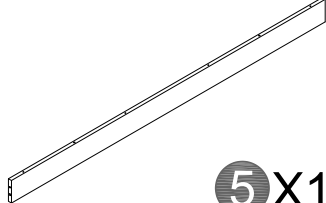

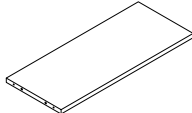
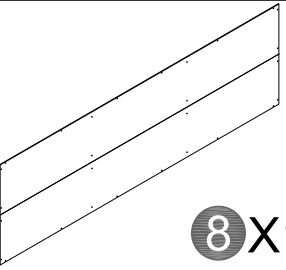
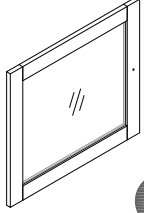
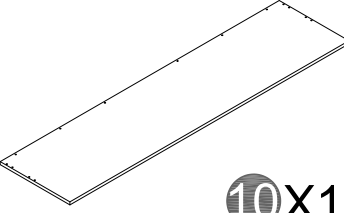
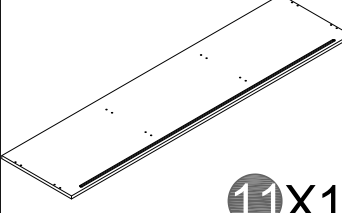
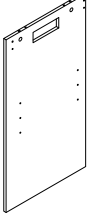
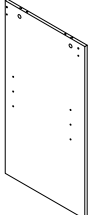


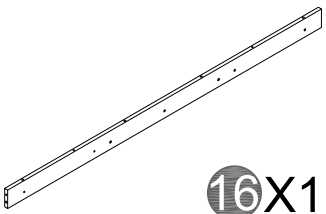
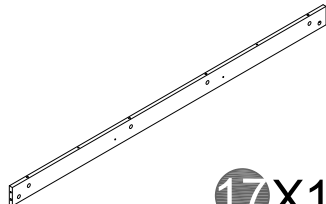
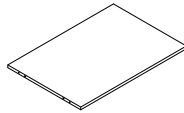
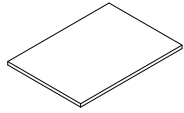
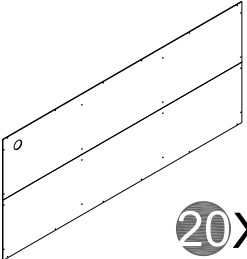
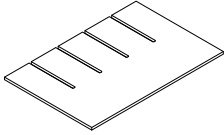
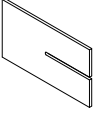
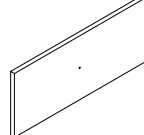
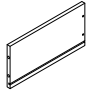
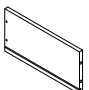
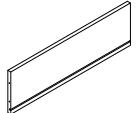
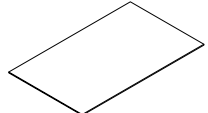
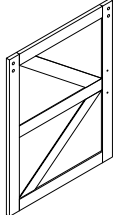


DJ0744

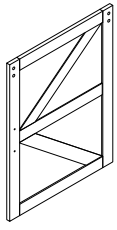




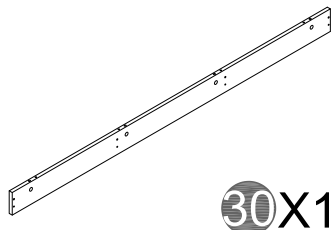
PARTS LIST

 1X1	 2X1	 3X1	 4X1
 5X1	 6X2	 7X1	 8X1
 9X2	 10X1	 11X1	 12X1
 13X1	 14X1	 15X1	 16X1
 17X1	 18X1	 19X2	 20X1
 21X1	 22X4	 23X2	 24X2
 25X2	 26X2	 27X2	 28X1

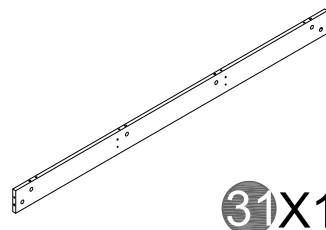
PARTS LIST



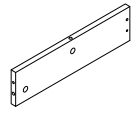
29X1



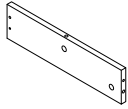
30X1



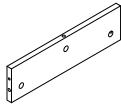
31X1



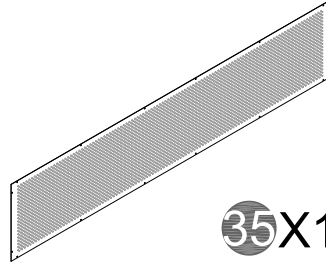
32X1



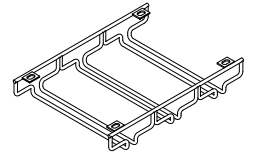
33X1



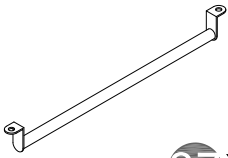
34X2



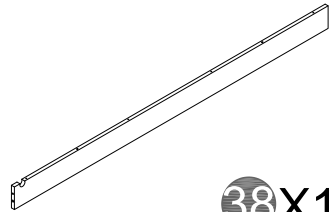
35X1



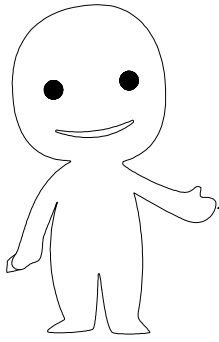
36X1



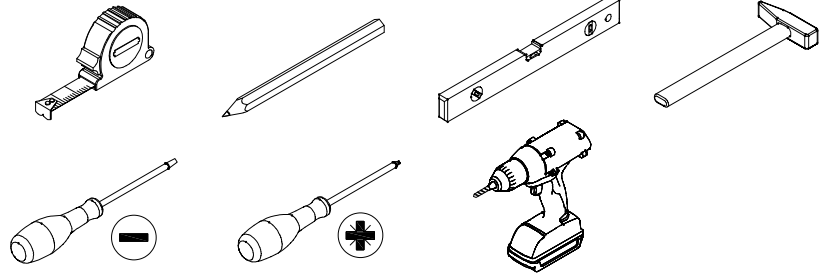
37X1

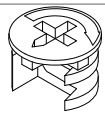


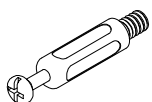
38X1




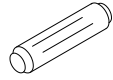
Please prepare the following tools

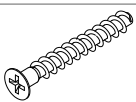



A 56+2 PCS

 Ø15 x 9.5 mm


B 56+2 PCS


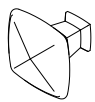
C 56+2 PCS


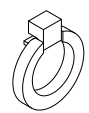
D 76+2 PCS

 Ø6 x30 mm


E 40+2 PCS

 Ø5 x40 mm


F_{1.2} 6+2 PCS

 M6 x 12

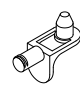
F_{2.5} 5+1 PCS

 M6 x 25

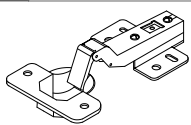
I 2 PCS



I₁ 2 PCS



I₂ 2 PCS



J 8+2 PCS

 M4 x 18


K₄ 8+2 PCS


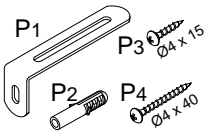
M 4 PCS


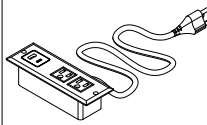
N 50+2 PCS

 Ø3.5 x 12

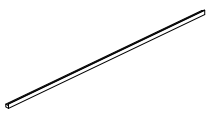
N₃ 12+2 PCS

 Ø3.5 x 30

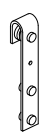
O 72+2 PCS

 Ø3 x 14

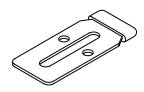
O₁ 5+1 PCS

 Ø3 x 10


P 2 PCS

 P1 P2 P3 P4
 Ø4 x 15
 Ø4 x 40

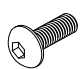
R 1 PC


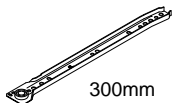
S 1 PC


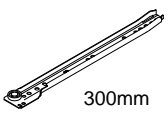
S₂ 4 PCS


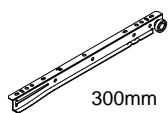
S₃ 4 PCS


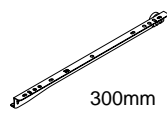
S₄ 4+1 PCS

 M4 x 18


S₆ 8+2 PCS

 1/4" x 12mm

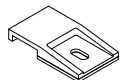
CL 2 PCS

 300mm


CR 2 PCS

 300mm

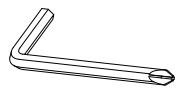
DL 2 PCS

 300mm

DR 2 PCS

 300mm

LED 1 PC


Y 5+1 PCS


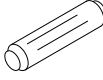
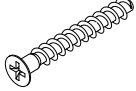
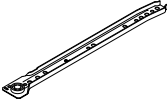
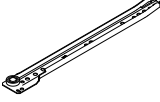
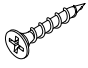
SG 8 PC


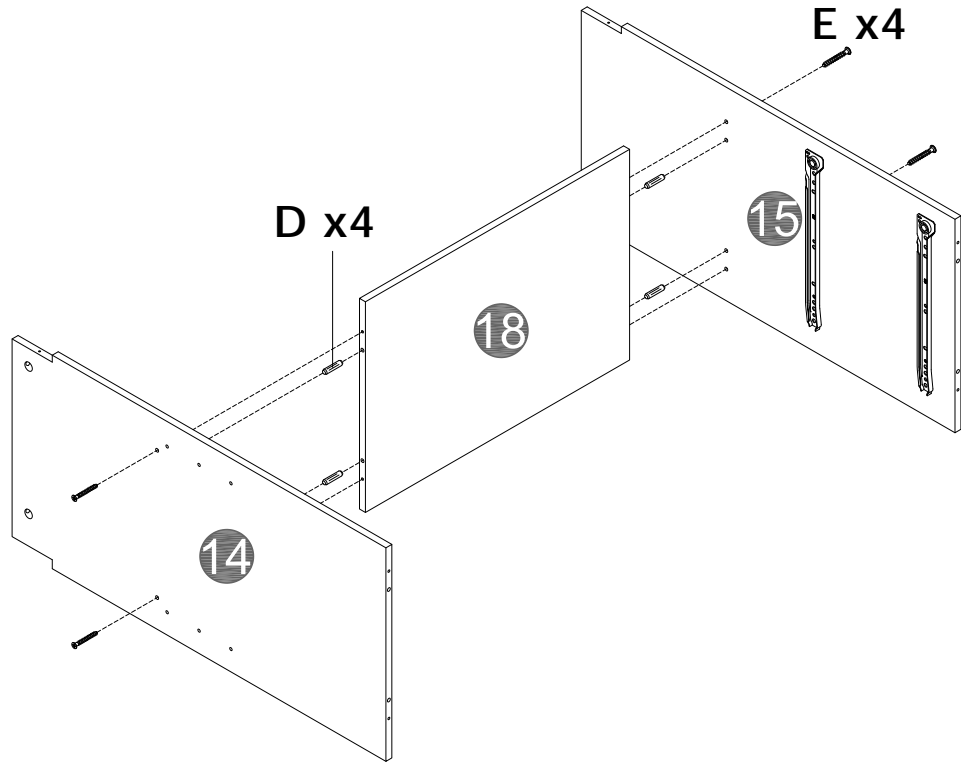
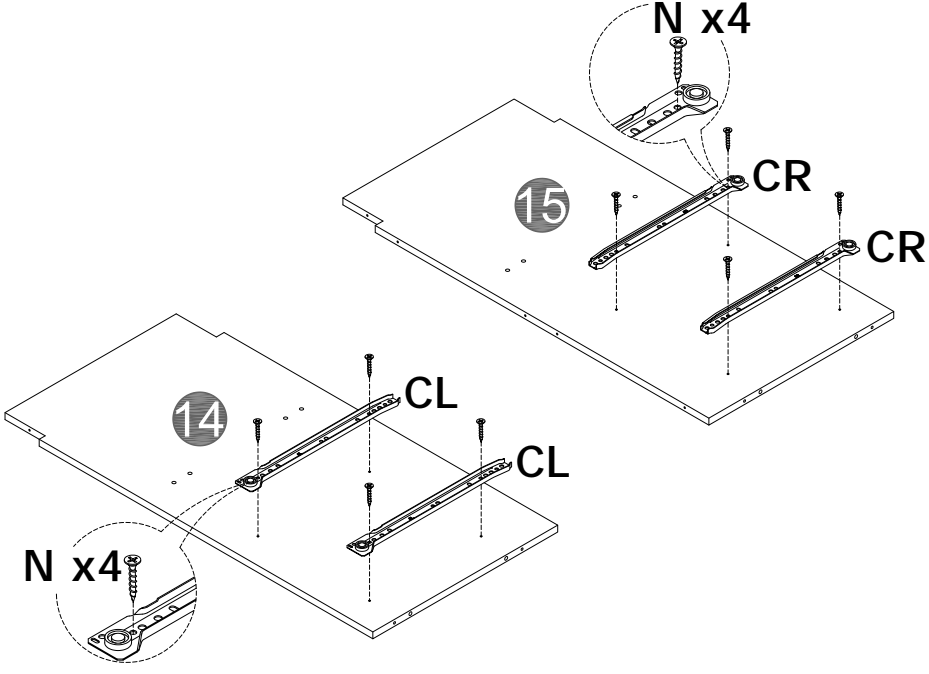
Z 1 PC

 4mm



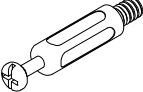

Tips: The number after "+" represents the spare hardware.

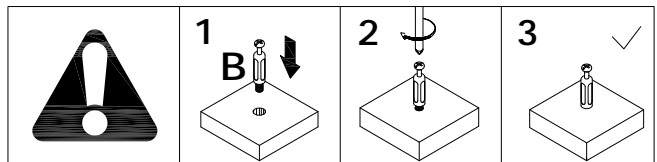
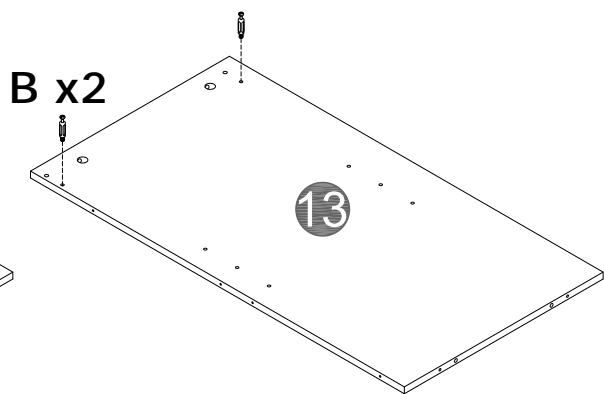
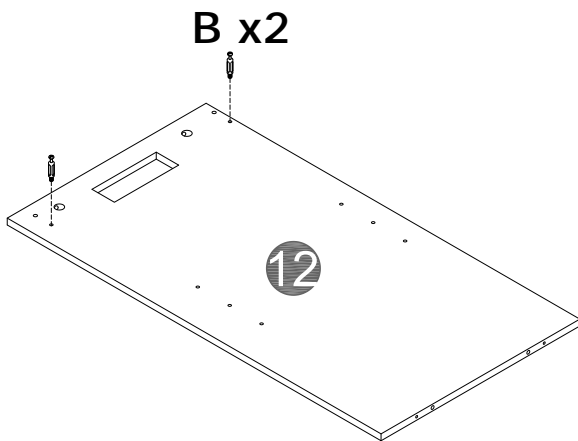
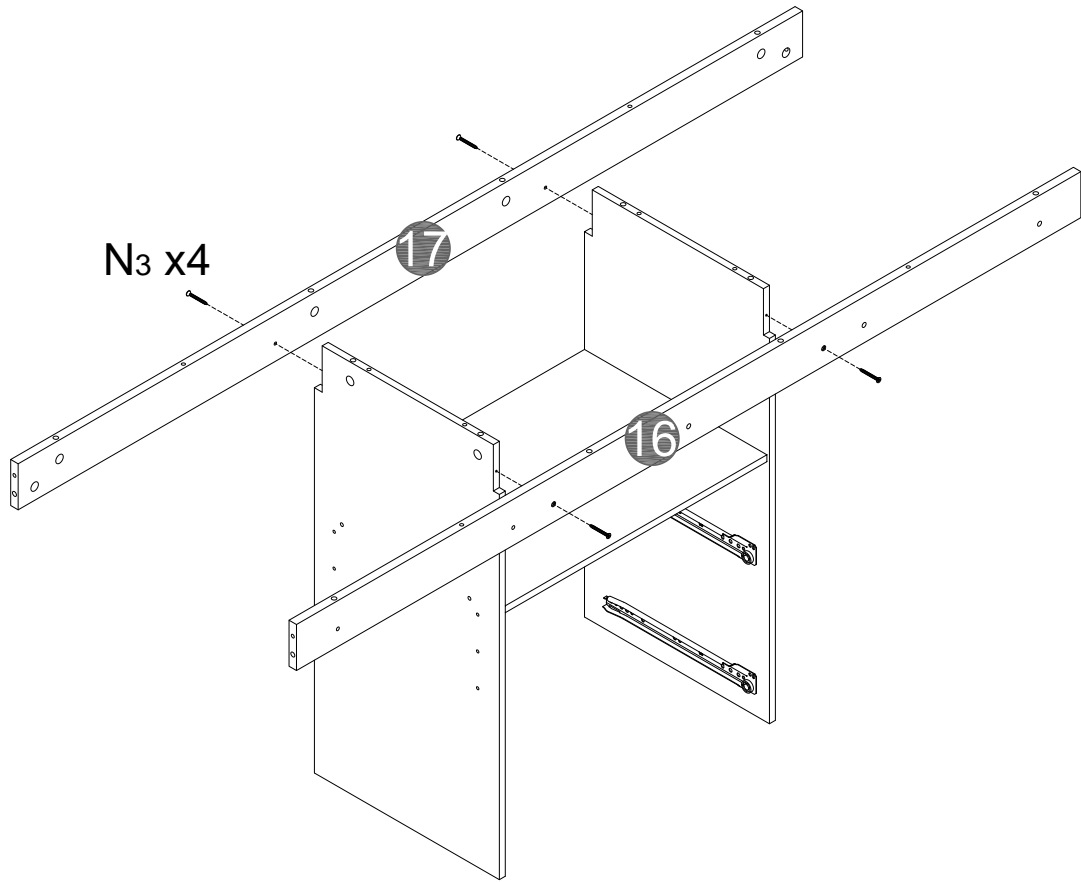
1

D	4 PCS	E	4 PCS	CL	2 PCS	CR	2 PCS	N	8 PCS
									

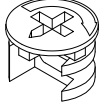
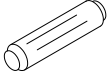


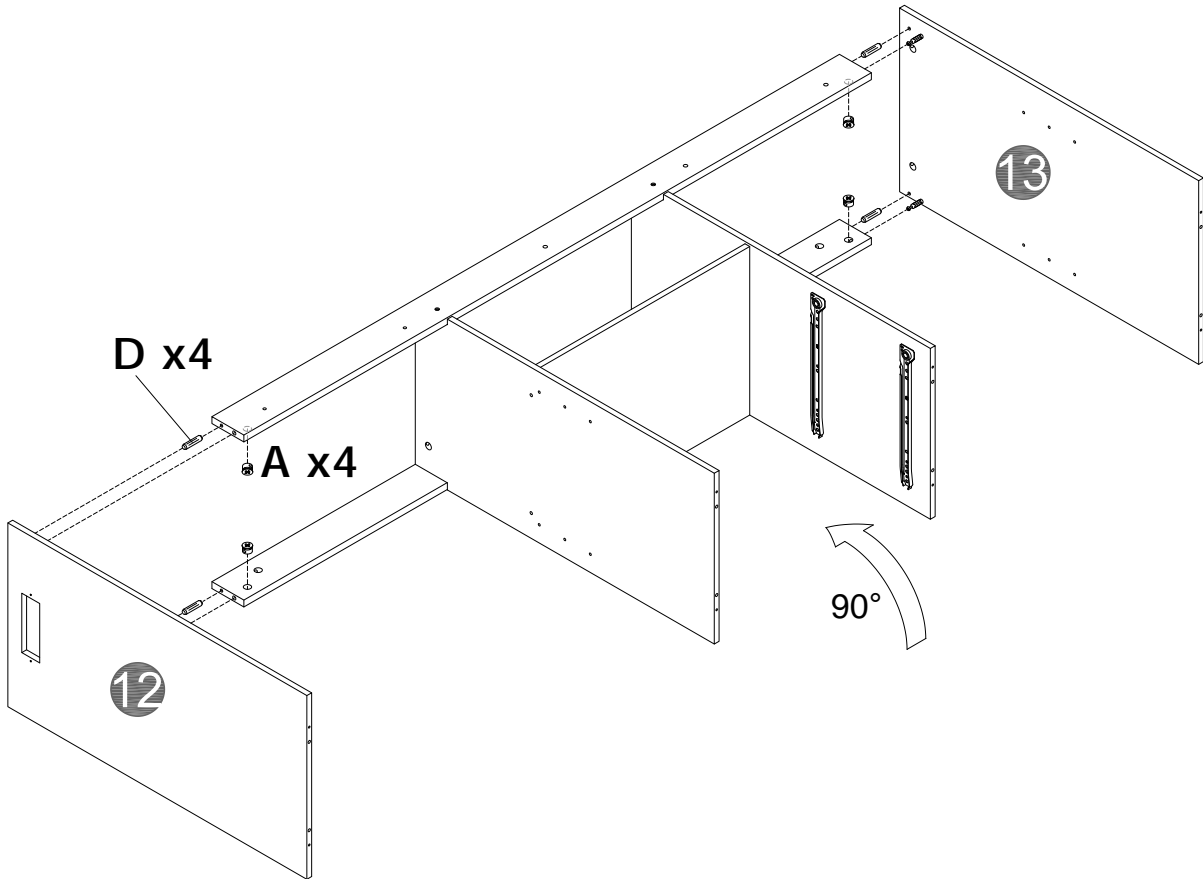
2

B	4 PCS	N3	4 PCS
			

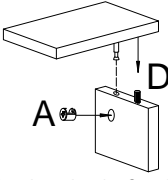
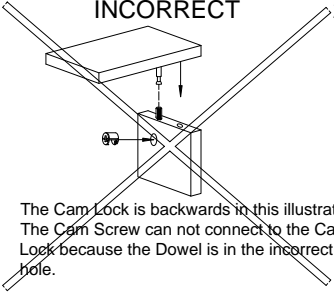
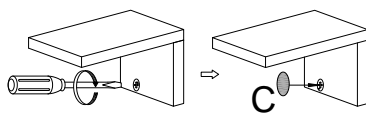


3

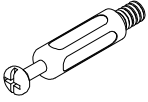
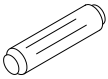
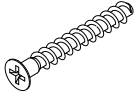
A	4 PCS	D	4 PCS
			

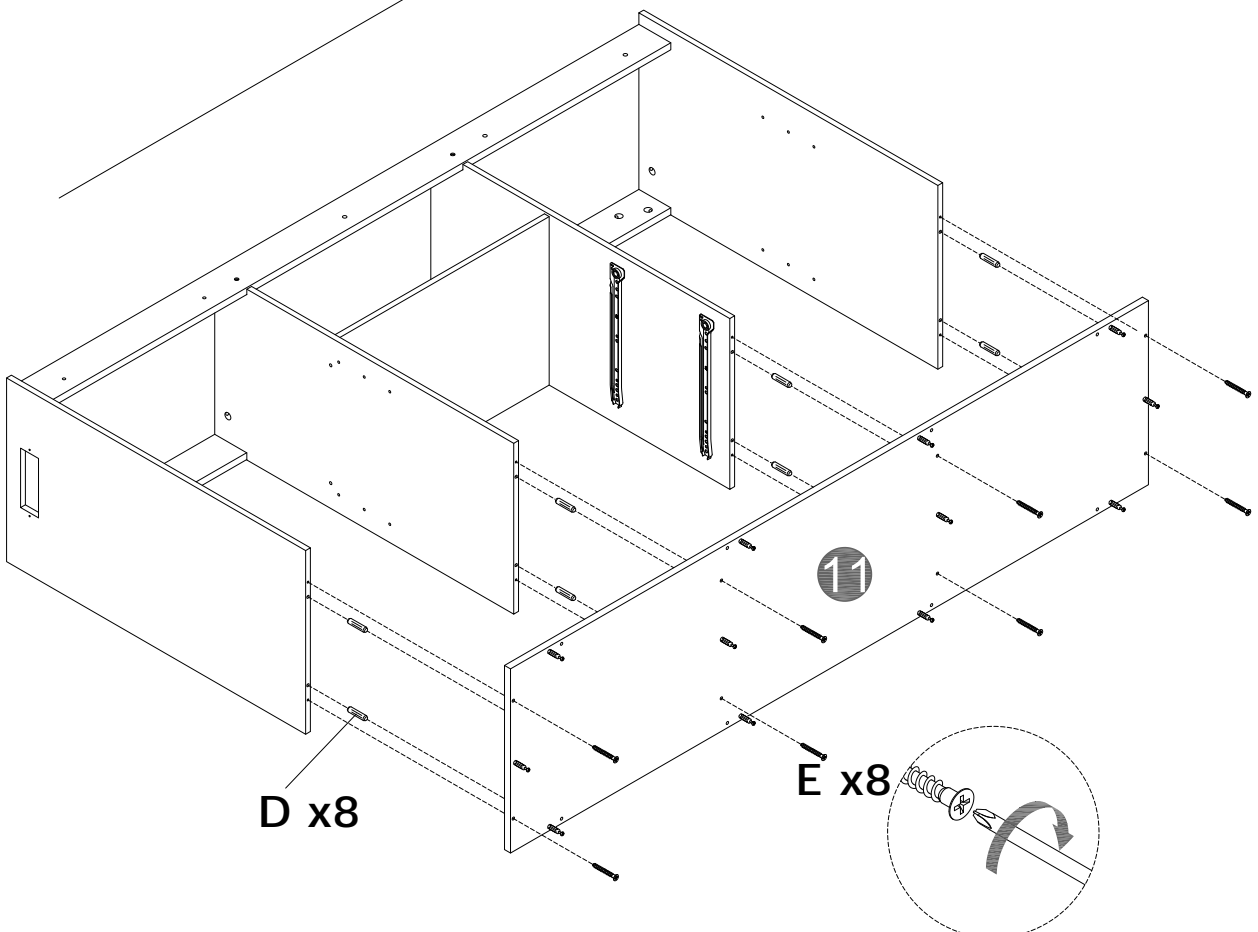
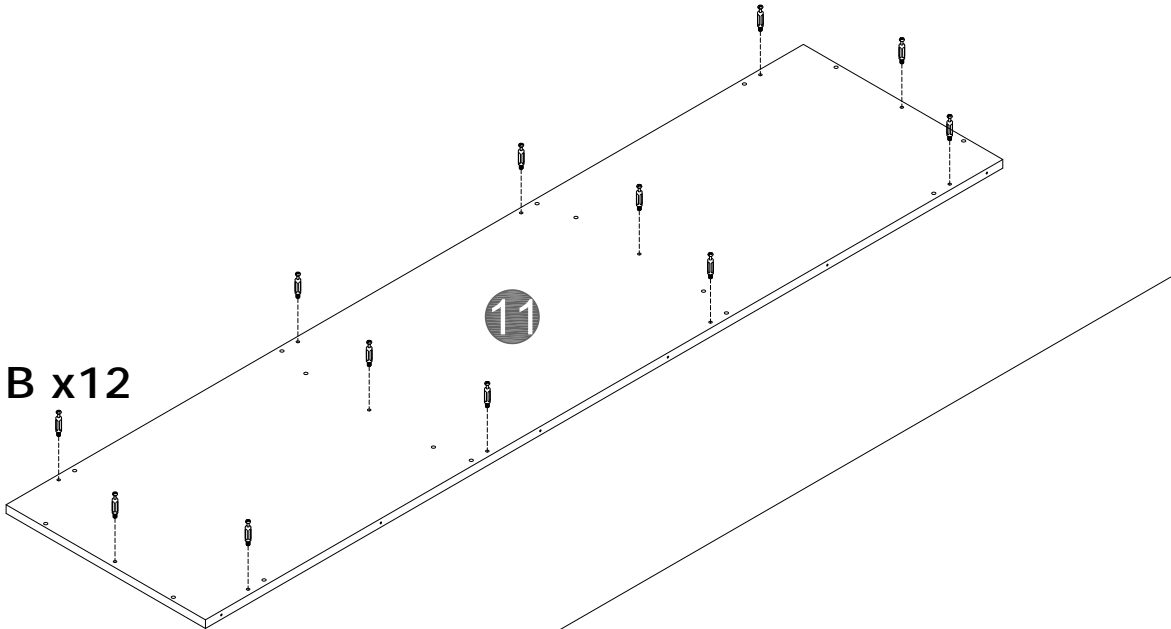


Cam Lock/Dowel Placement Supplement


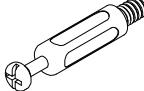
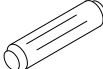
<p>CORRECT 1</p>  <p>When inserting the Cam lock, make sure that the open End of the cam Lock faces the Cam Screw Entry. The Dowel will be inserted in the hole NEXT to the Cam Lock/Cam Screw hole.</p>	<p>INCORRECT 2</p>  <p>The Cam Lock is backwards in this illustration. The Cam Screw can not connect to the Cam Lock because the Dowel is in the incorrect hole.</p>	<p>3</p>  <p>To tighten, turn the Cam Lock CLOCKWISE until the arrow or "△" signs point AWAY from the connected Panel.</p> <p>*NOTE: DO NOT USE AN AUTOMATIC SCREWDRIVER TO TIGHTEN CAM LOCKS, DO NOT OVER-TIGHTEN.</p>
--	--	---

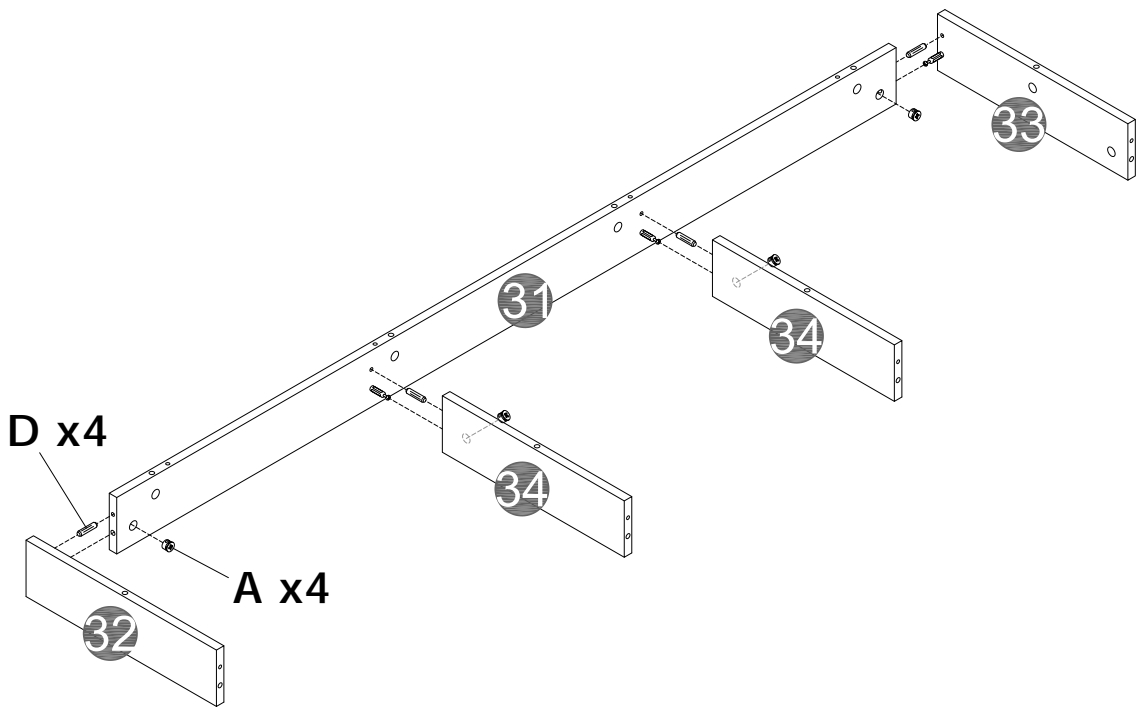
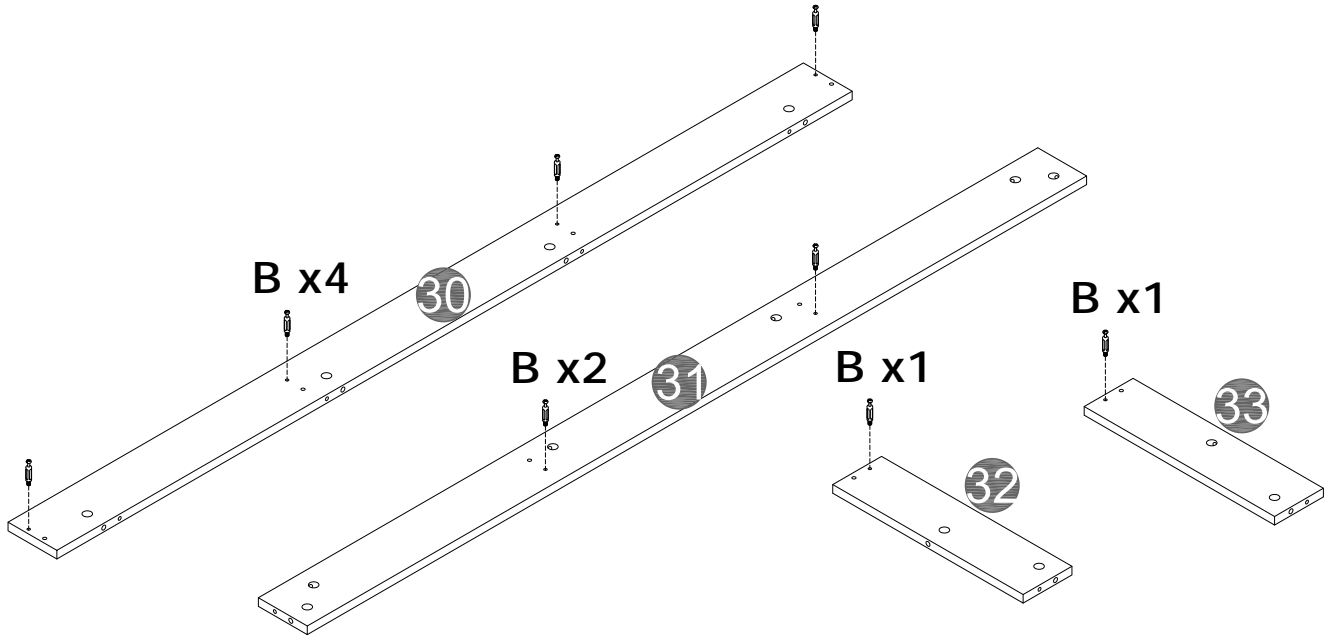
4

B	12 PCS	D	8 PCS	E	8 PCS
					


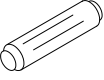


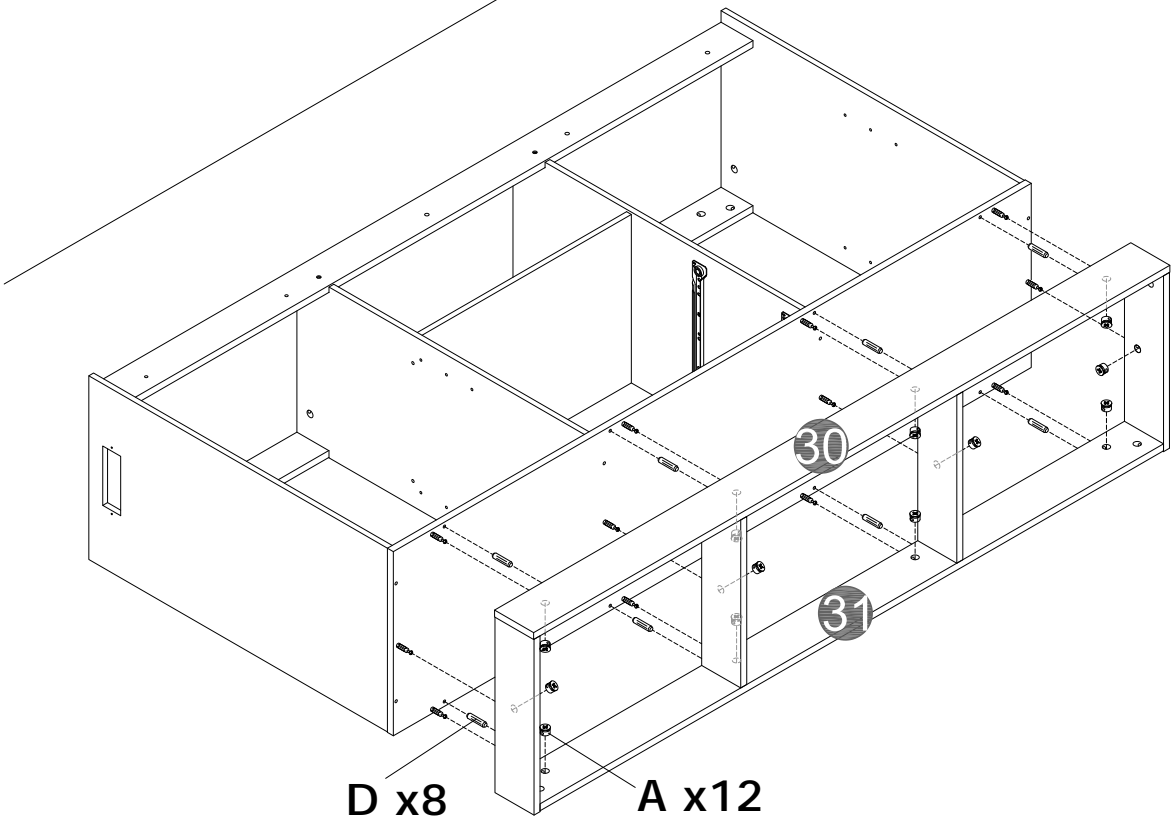
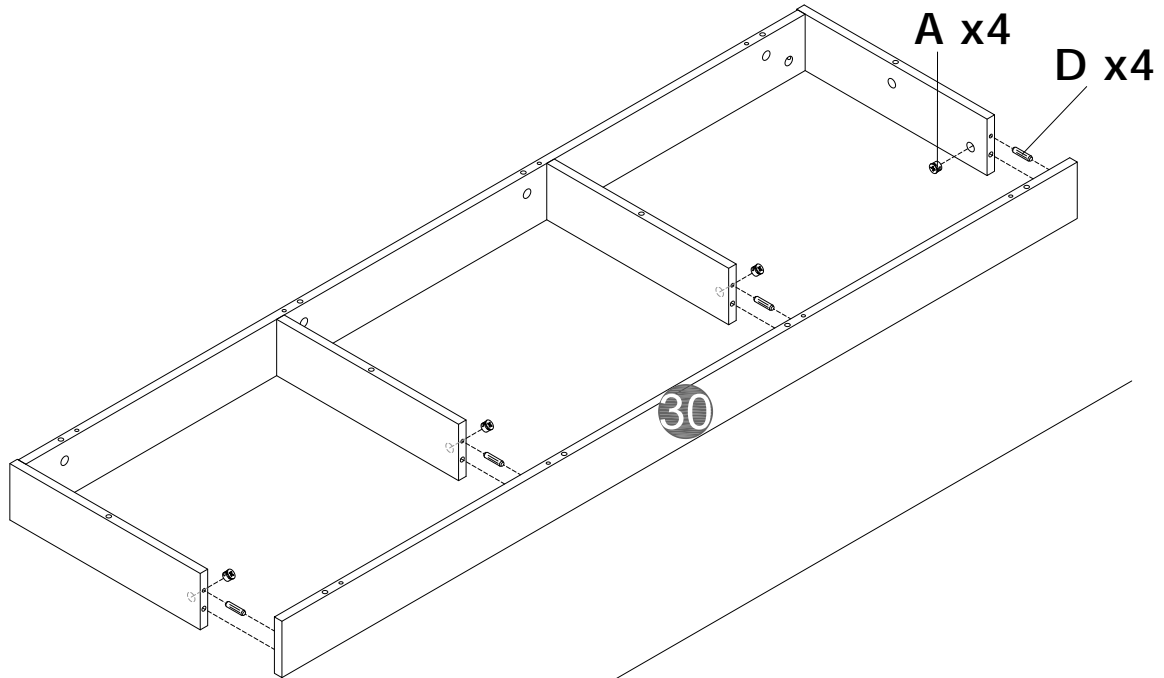
5

A	4 PCS	B	8 PCS	D	4 PCS
					



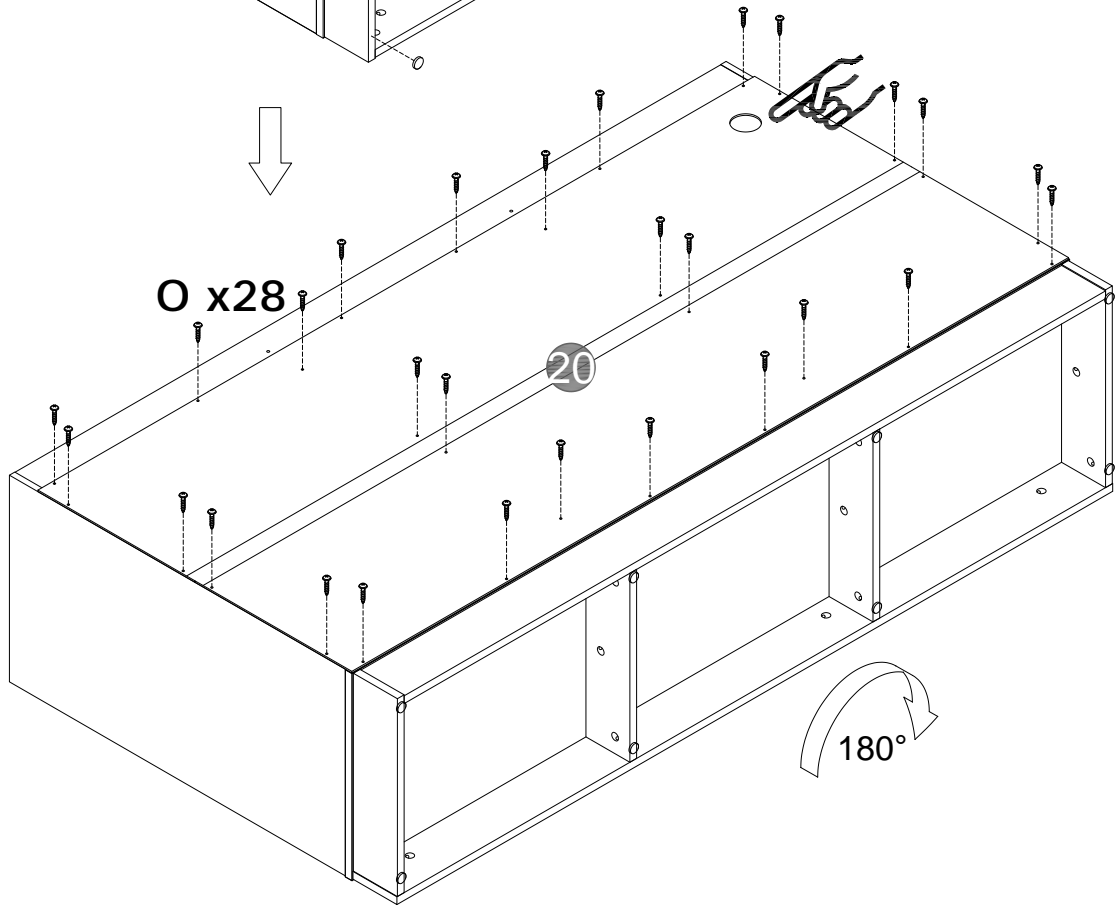
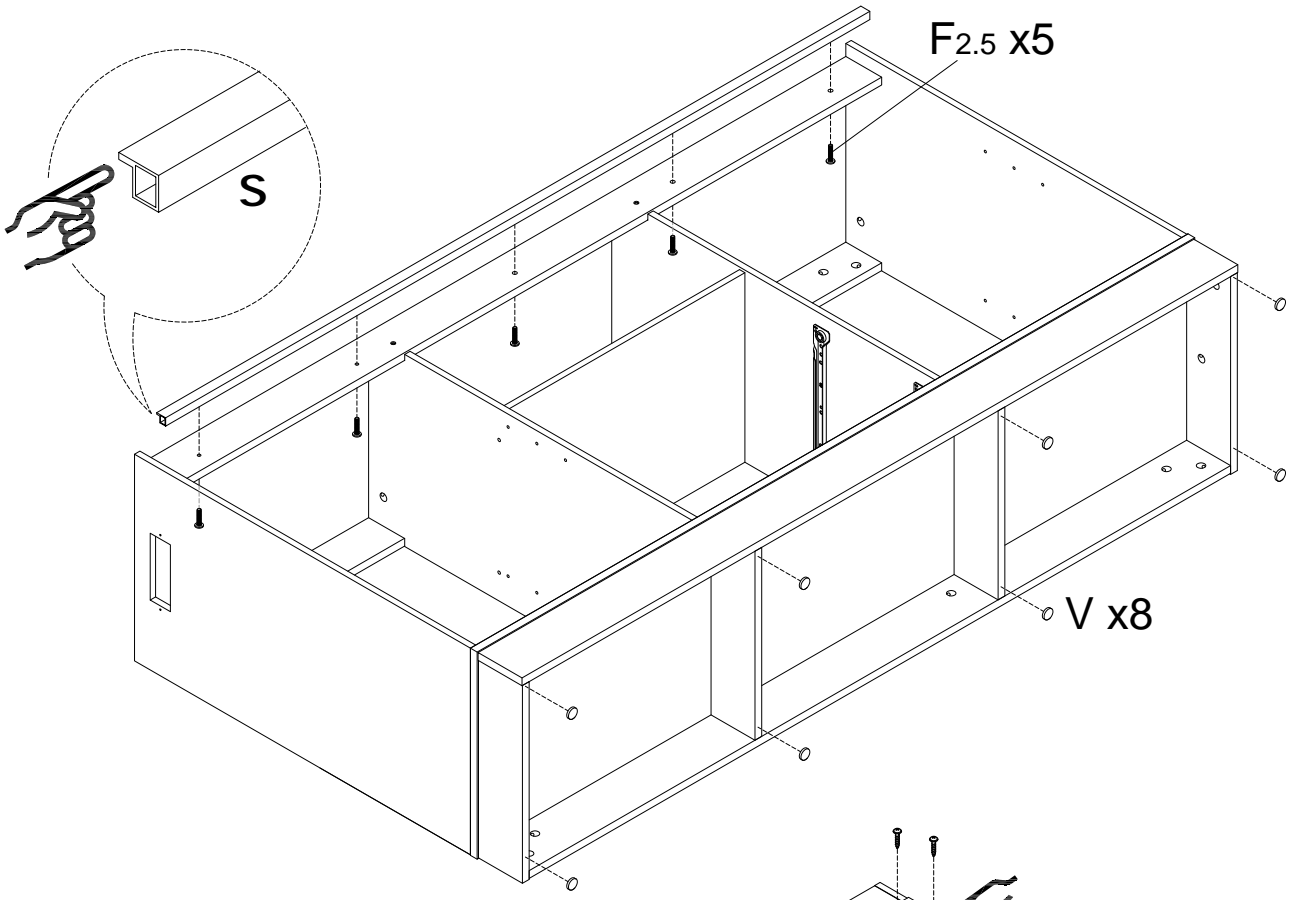


A	D
16 PCS 	12 PCS 

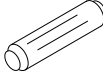
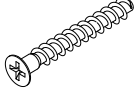


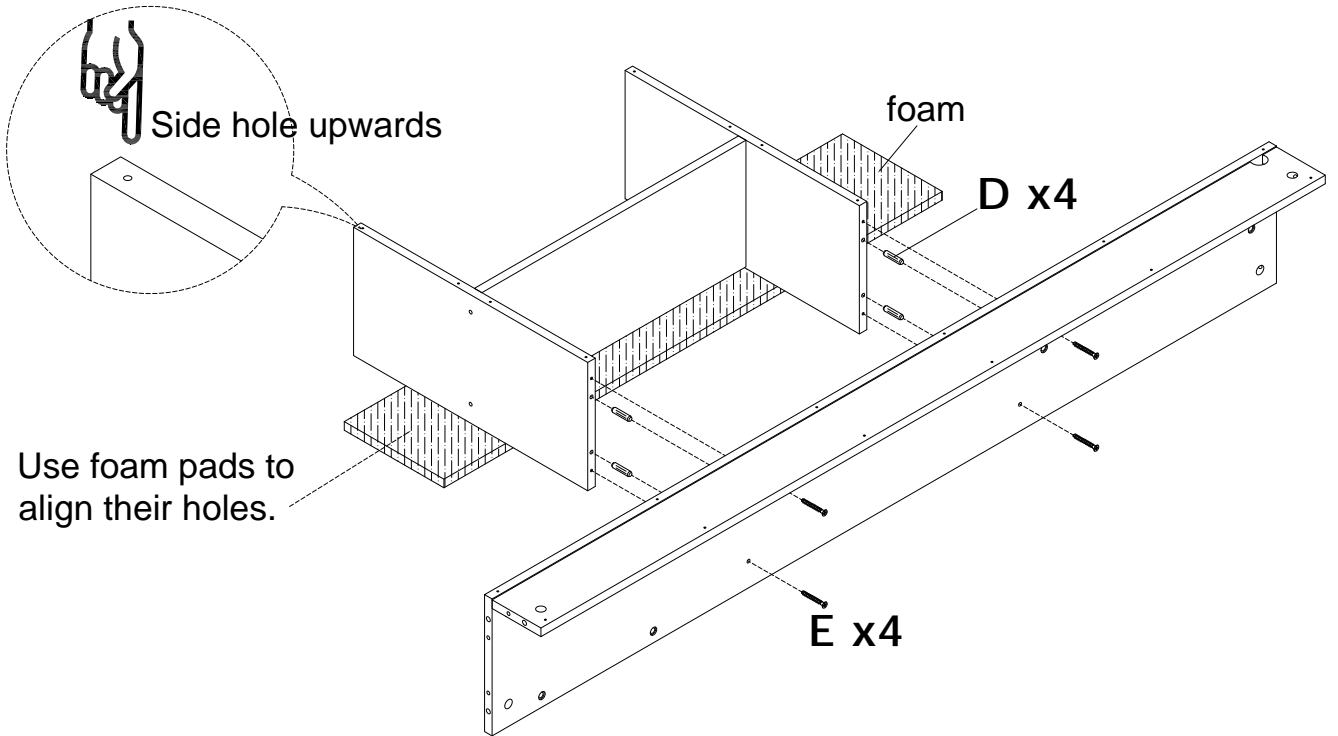
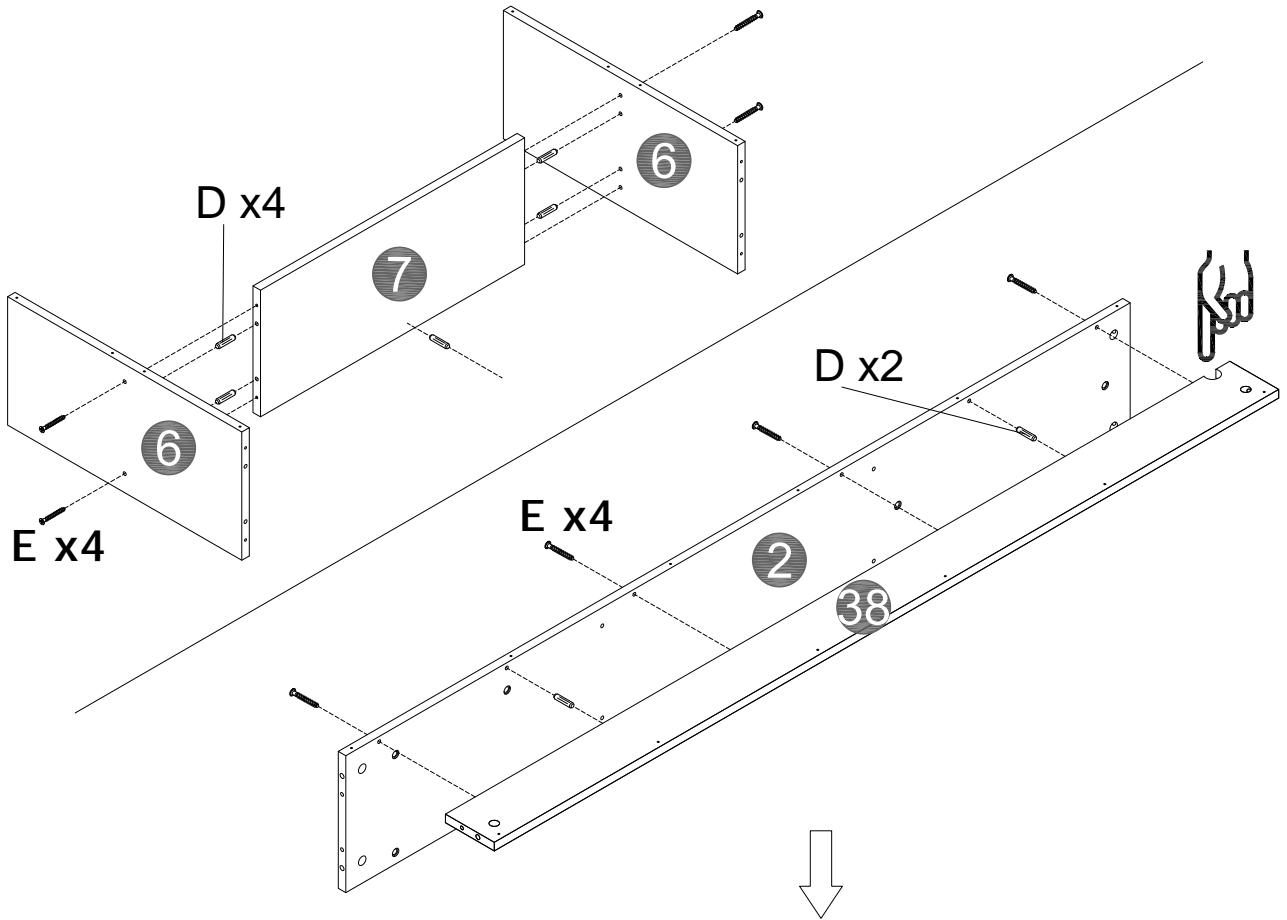
7

F2.5	5 PCS	O	28 PCS	S	1 PC	V	8 PCS



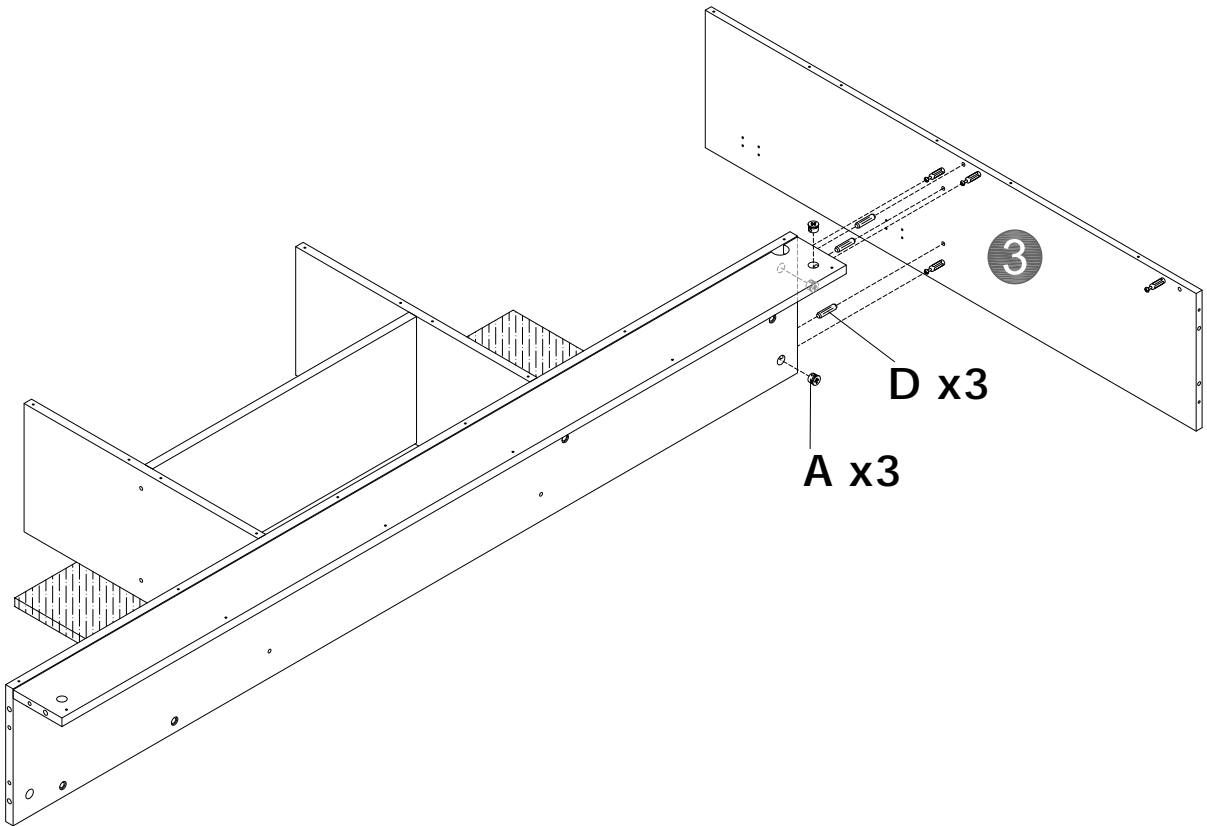
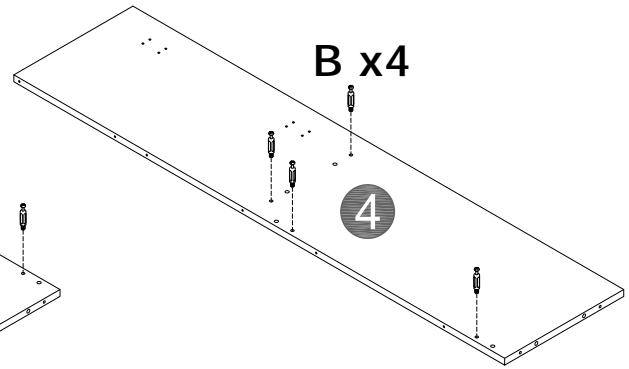
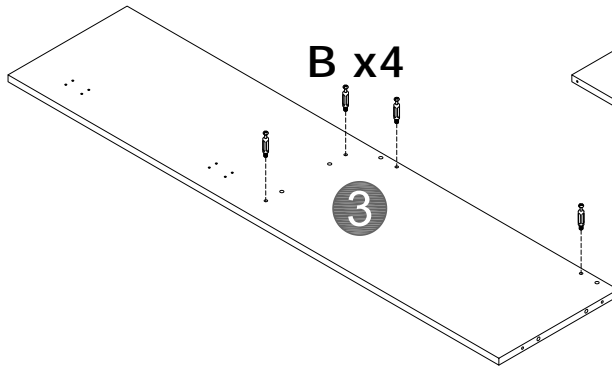


D	10PCS	E	12PCS
			

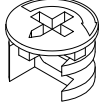
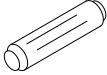
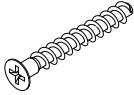


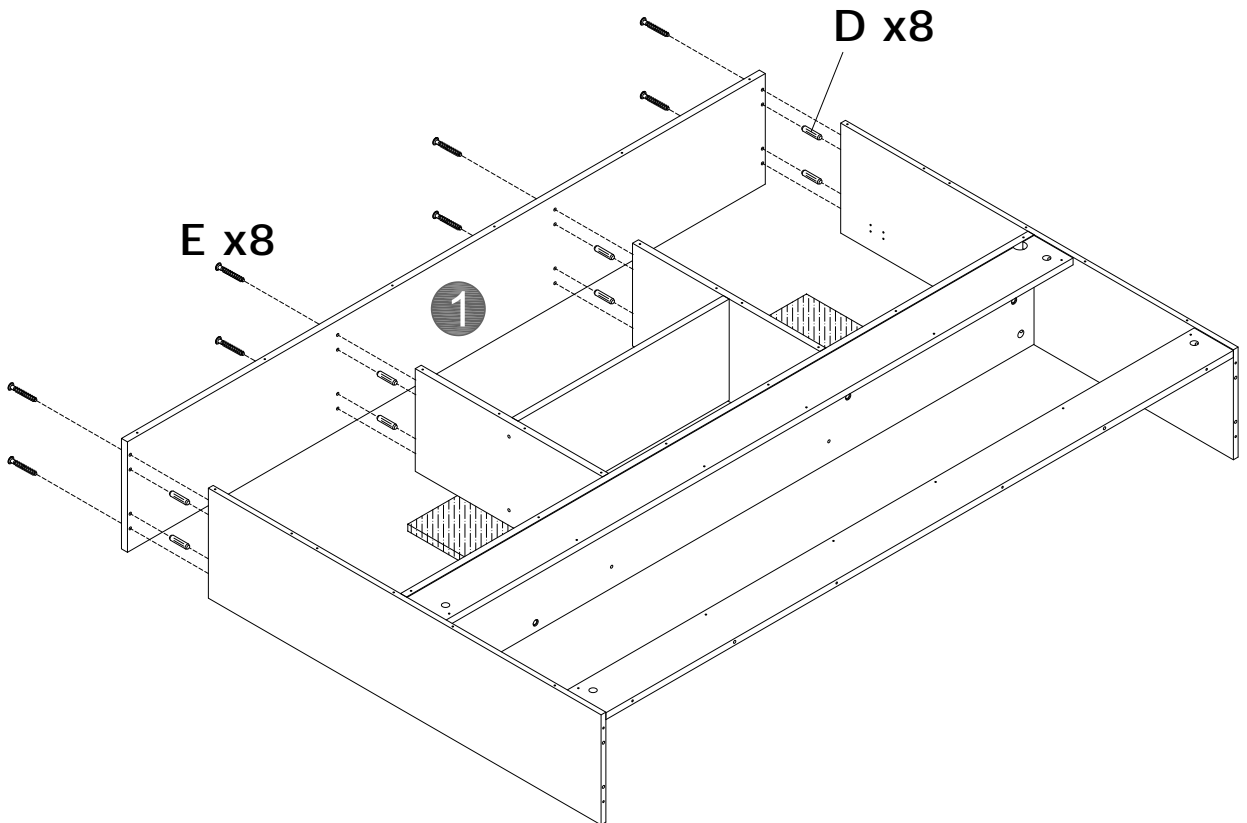
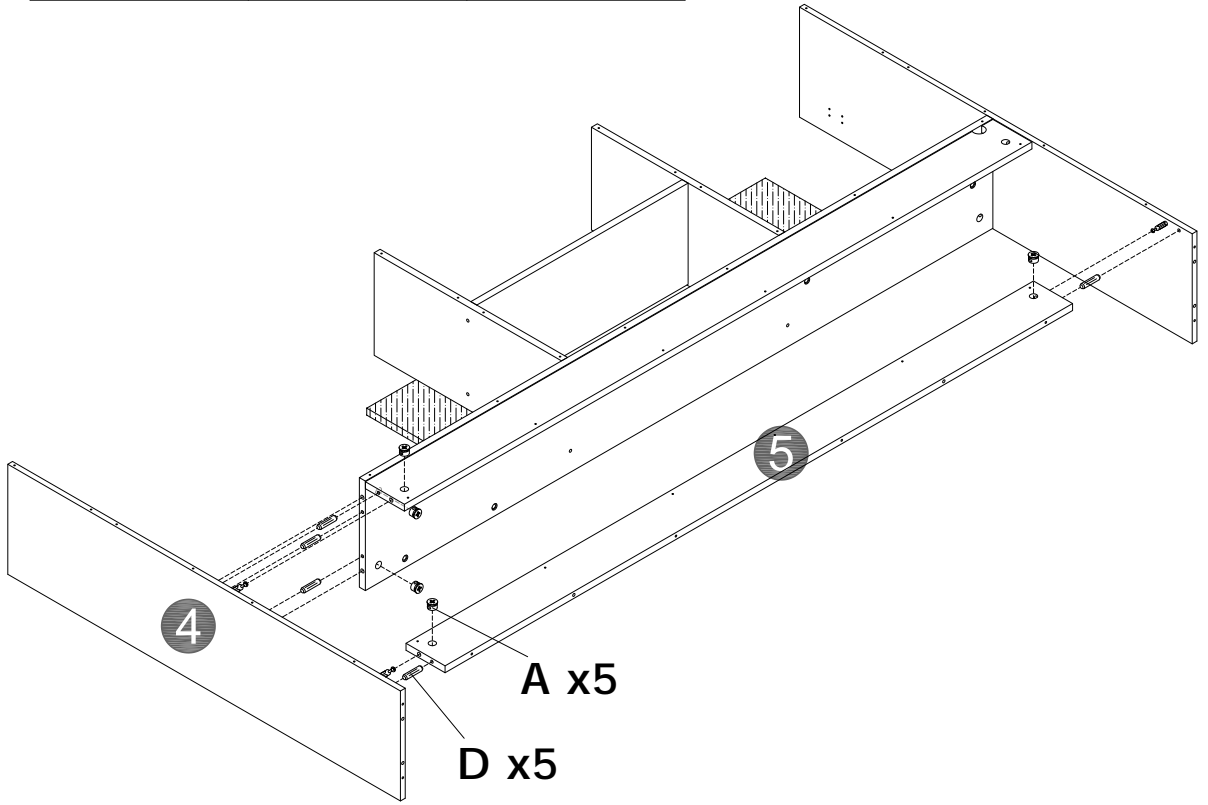


A	3PCS	B	8PCS	D	3PCS



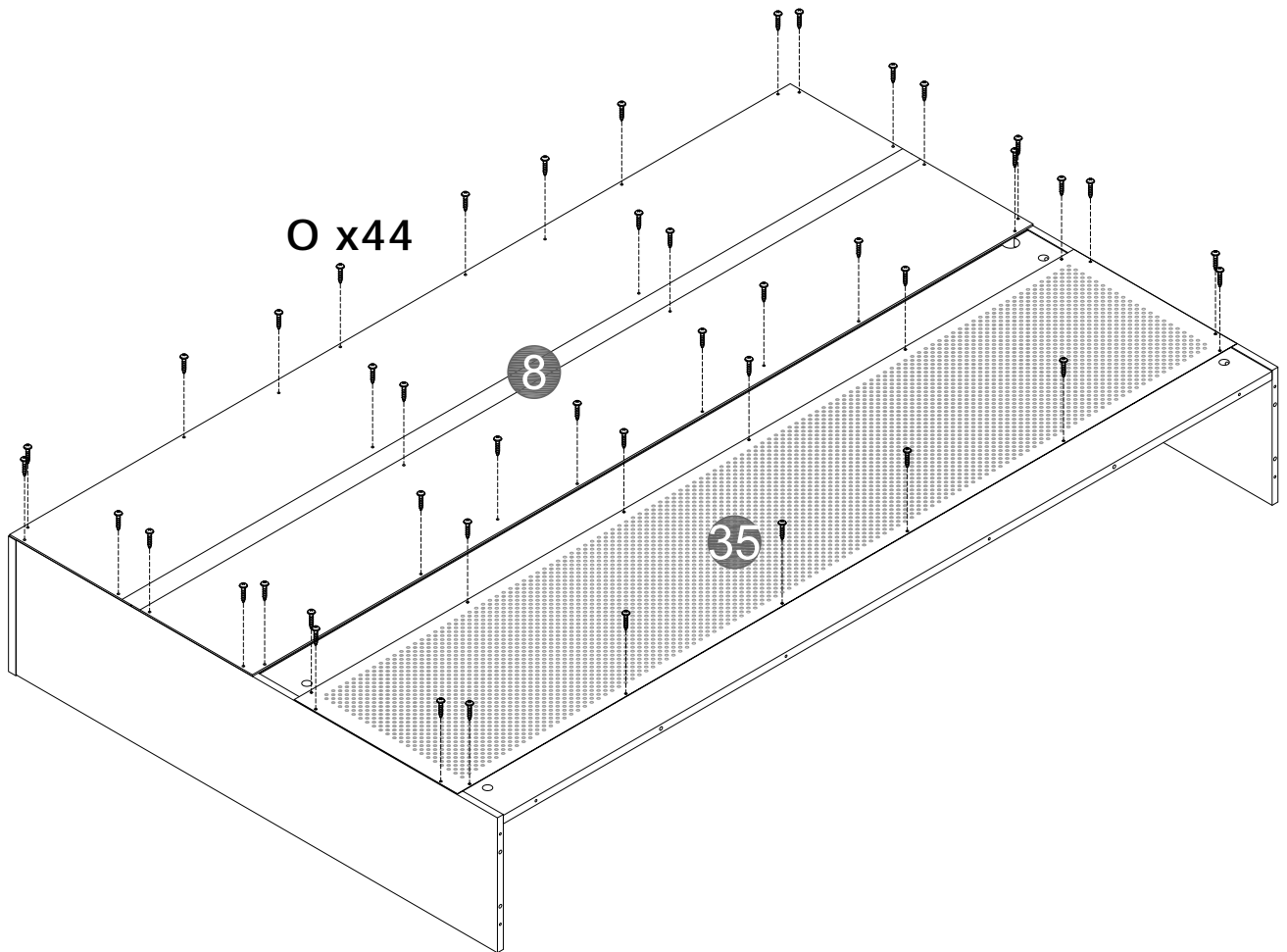
10

A	5PCS	D	13PCS	E	8PCS
					

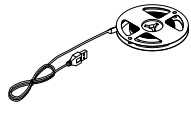
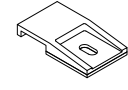



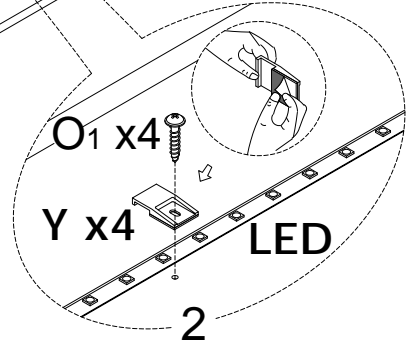
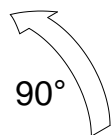
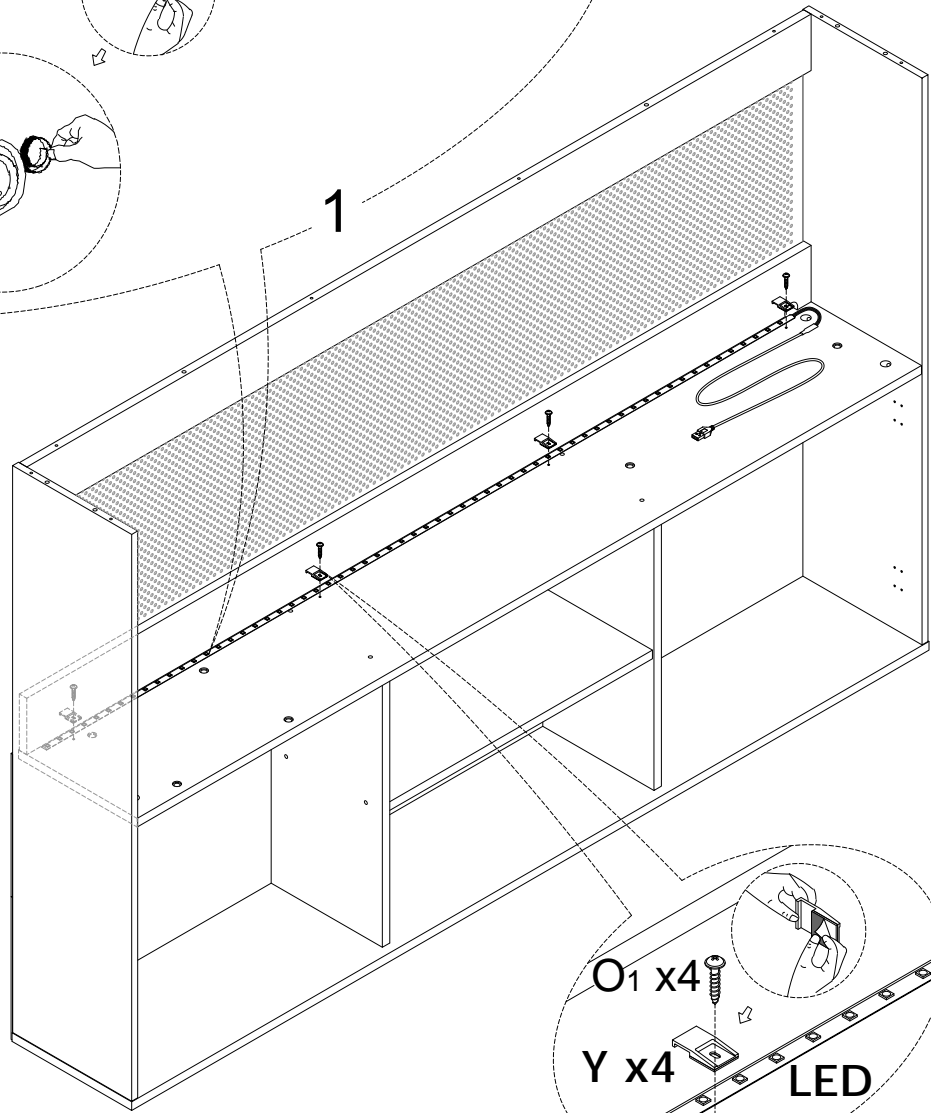
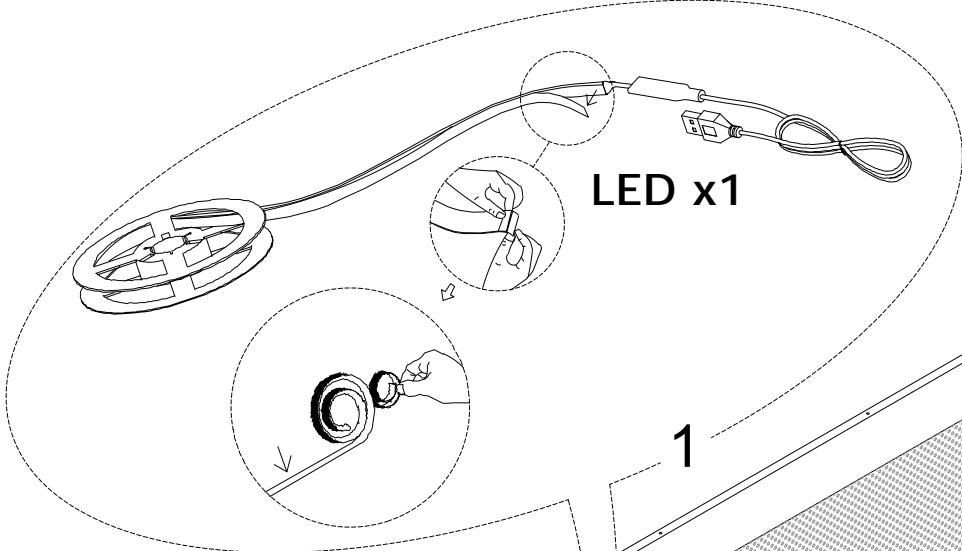


44 PCS




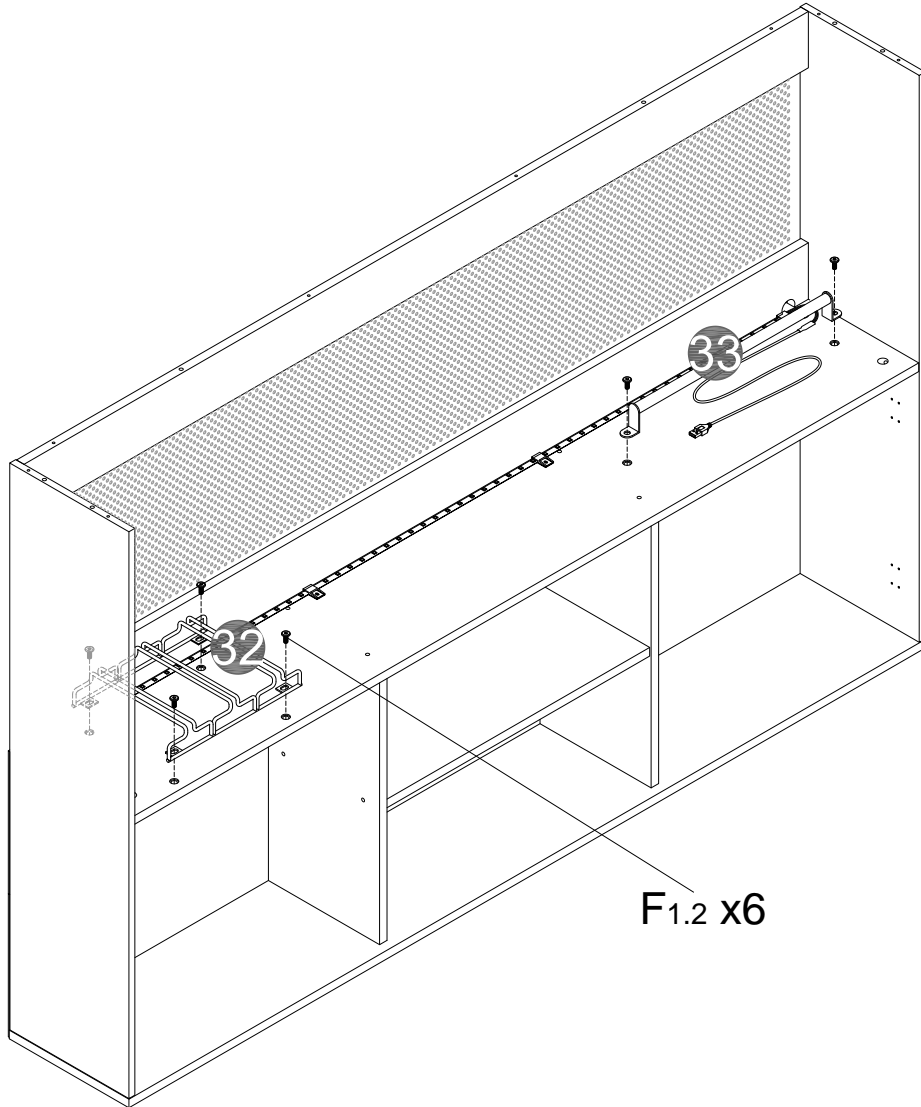
12

LED	1 PC	Y	4 PCS	O1	4 PCS
					

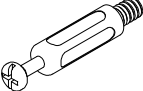
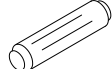
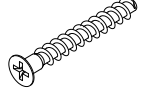


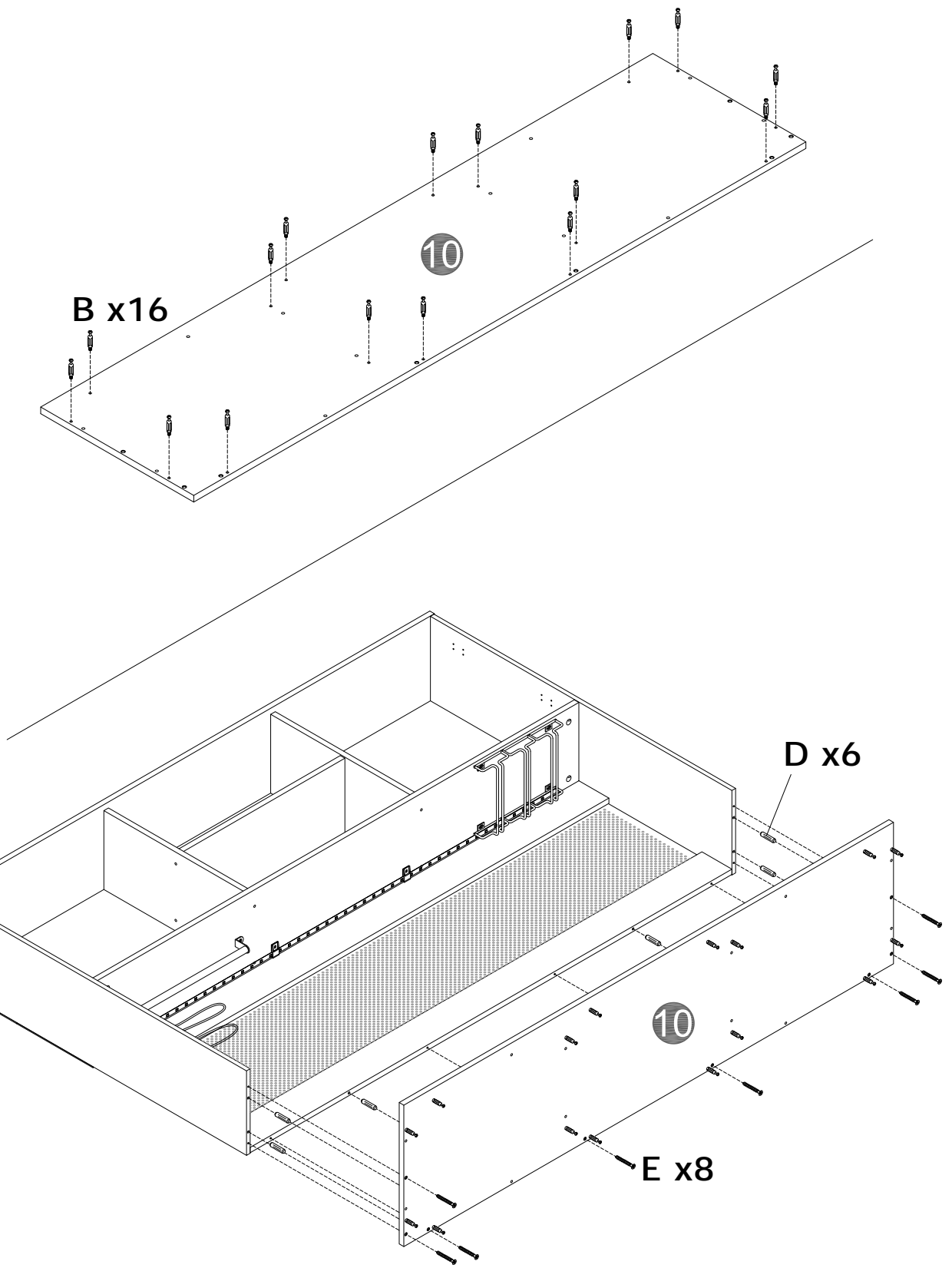
13

F1.2	6PCS
	

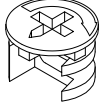
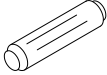


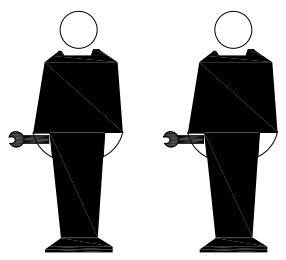
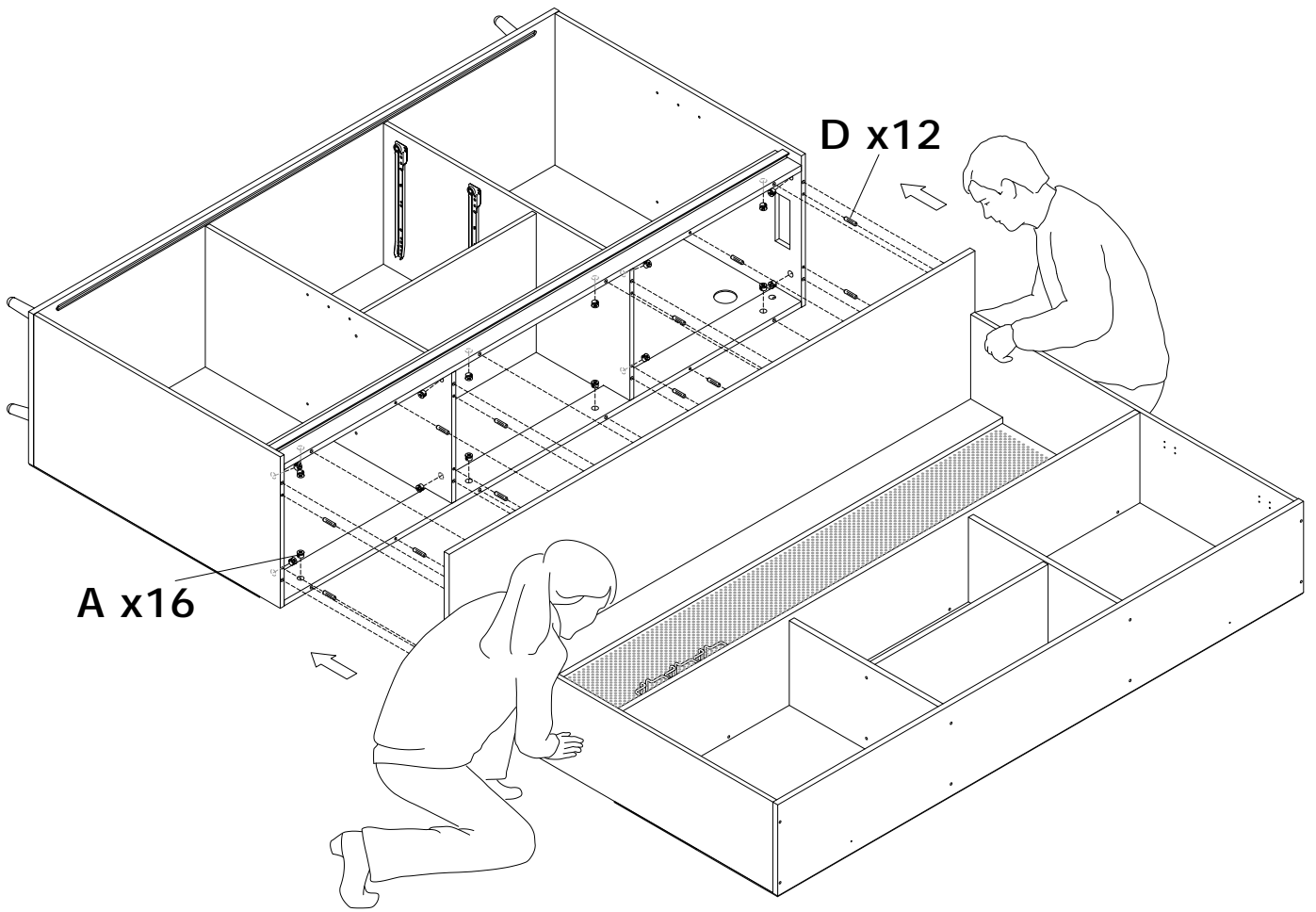
14

B	16 PCS	D	6 PCS	E	8 PCS
					



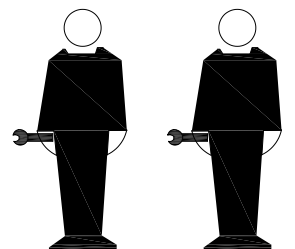
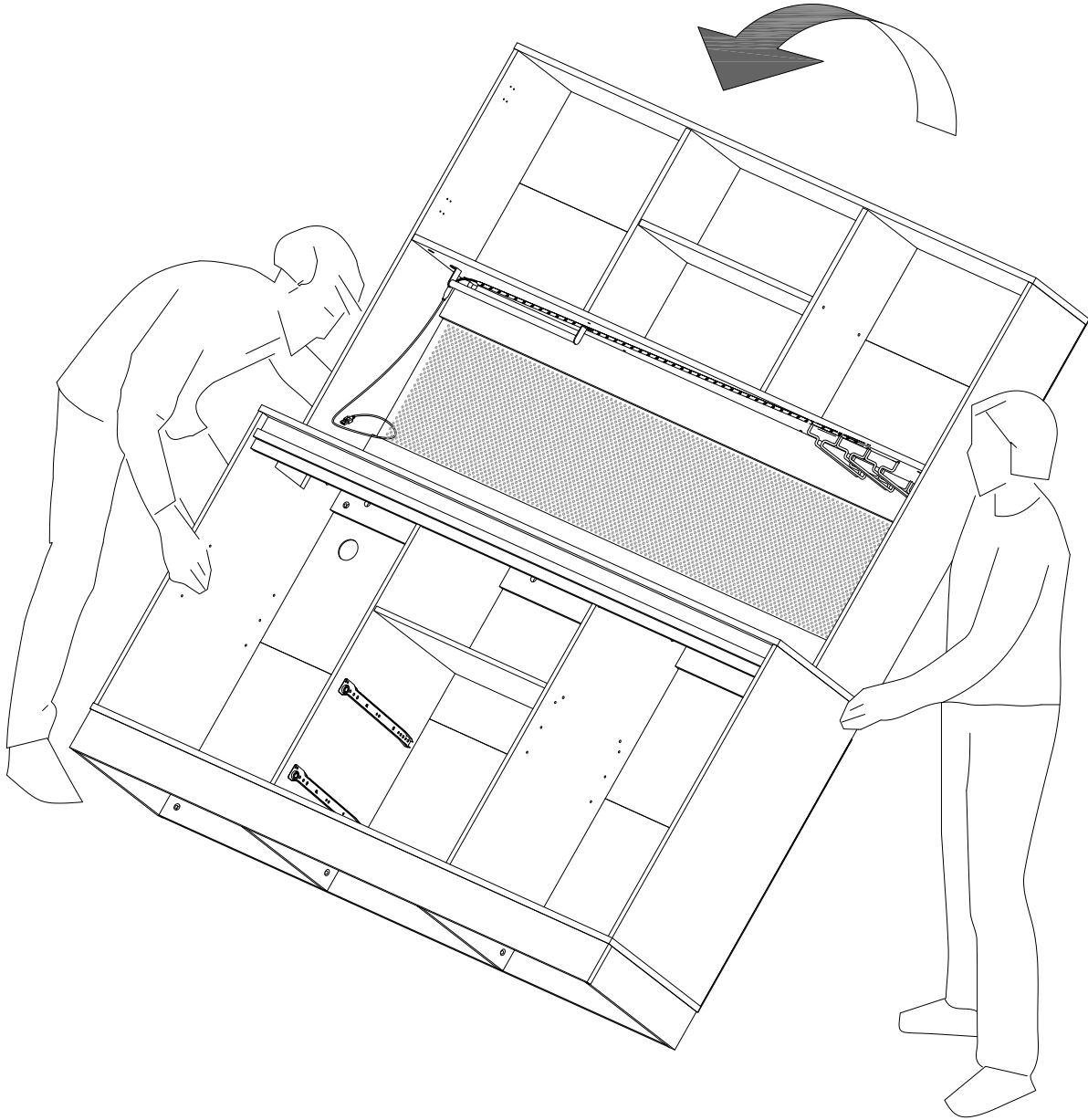
15

A	16PCS	D	12PCS
			



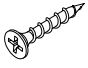
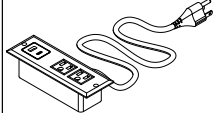
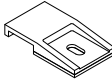

This step requires two people to complete

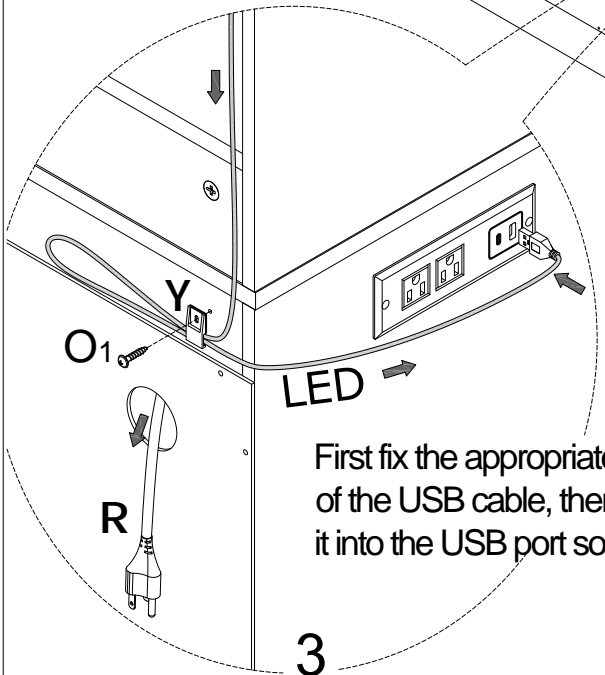
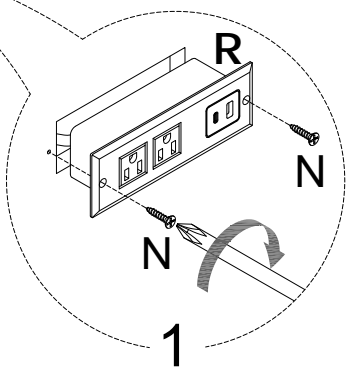
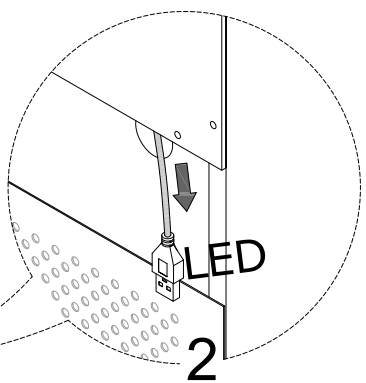
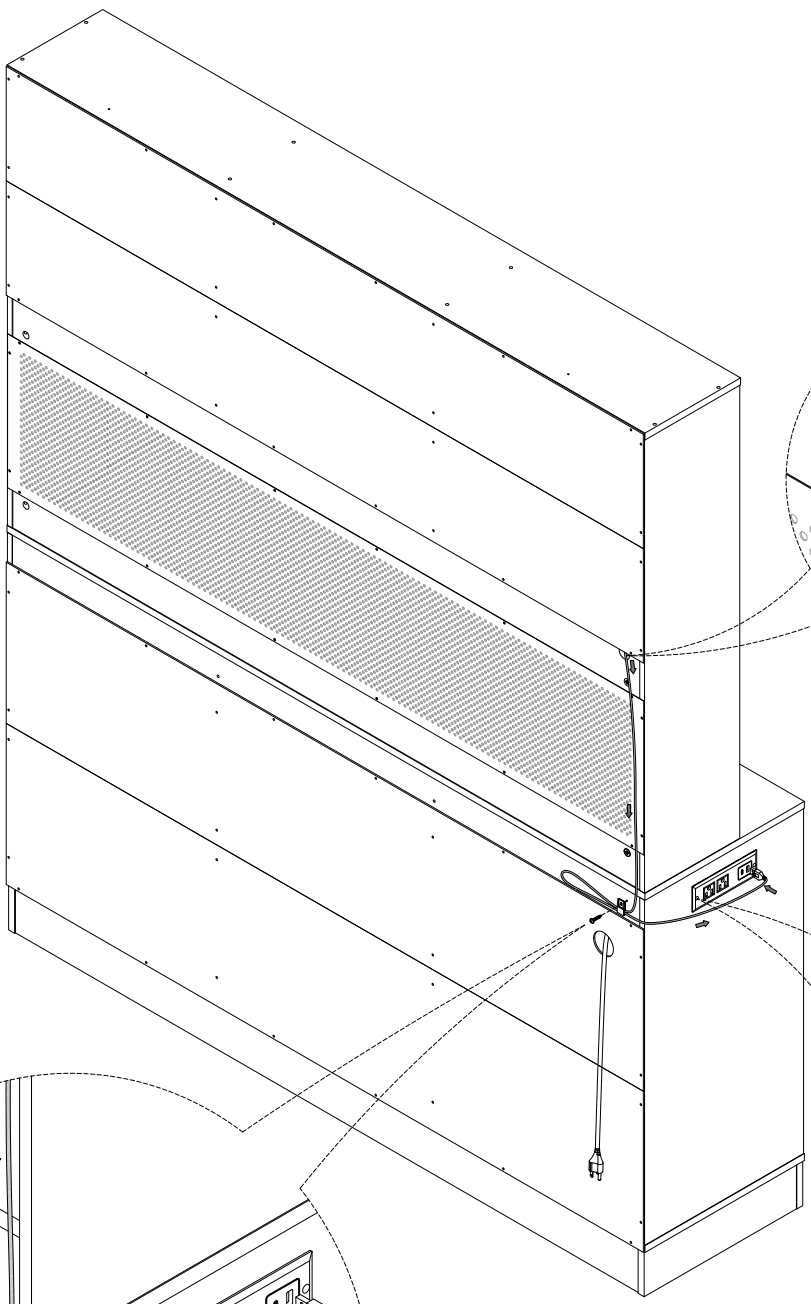
16



This step requires two people to complete

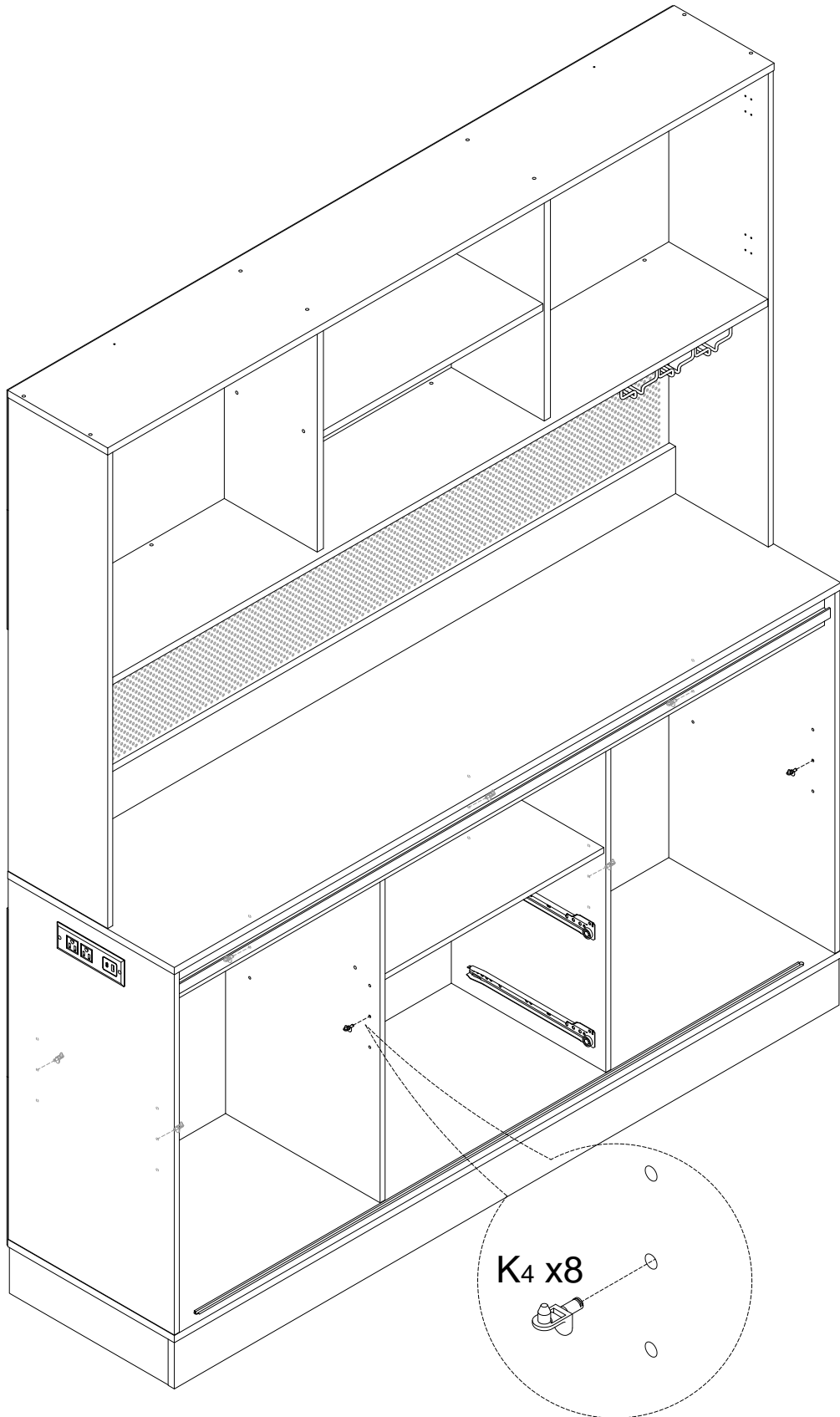
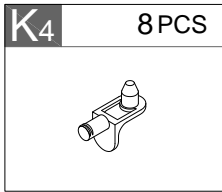
17

N	2 PCS	R	1 PC	Y	1 PCS	O1	1 PCS
							

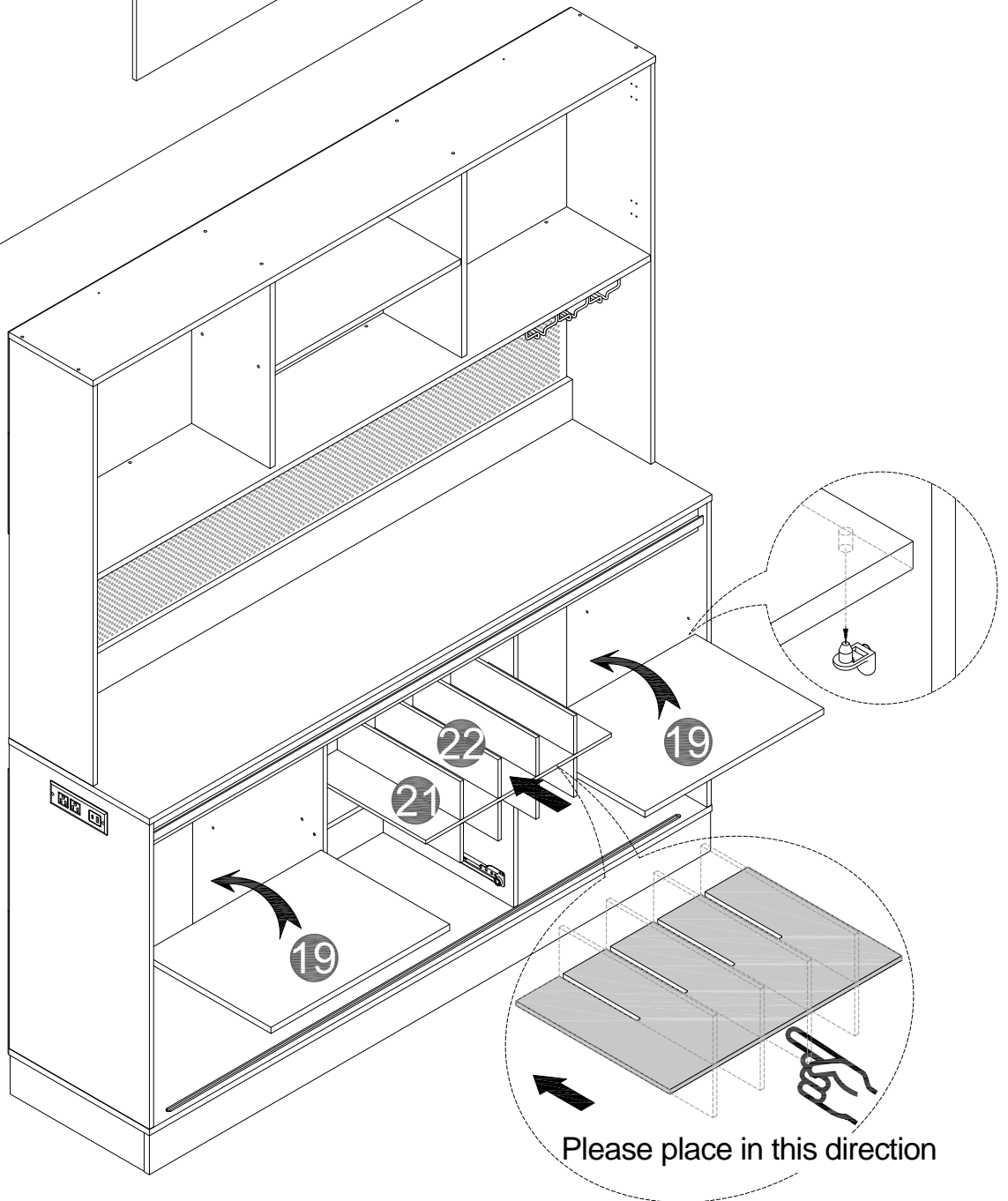
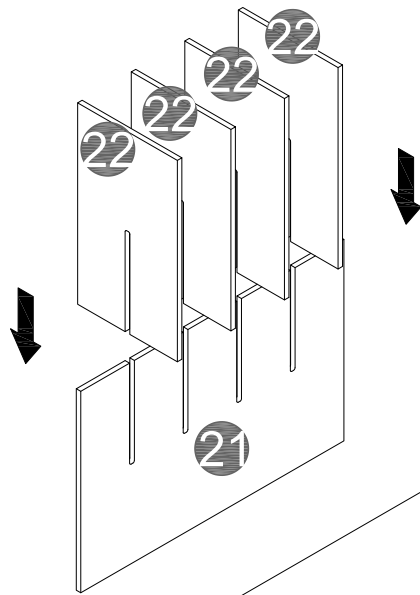


First fix the appropriate length of the USB cable, then insert it into the USB port socket.

18

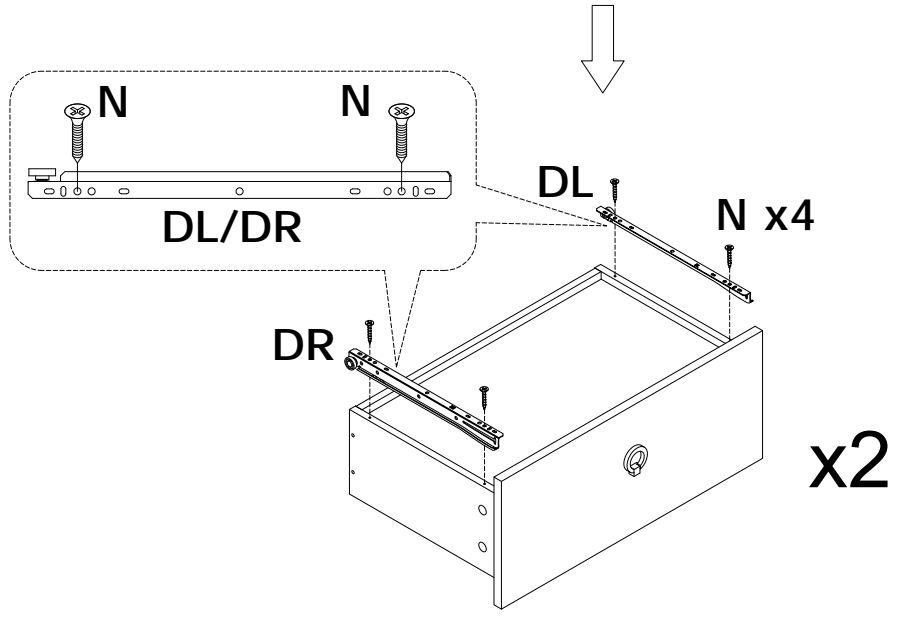
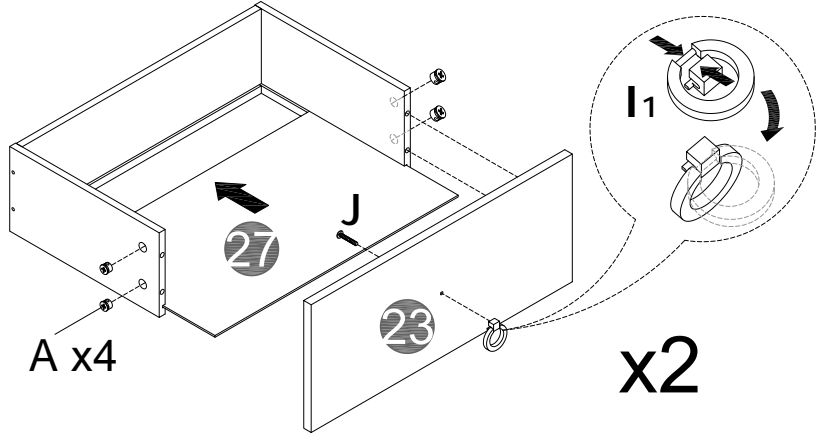
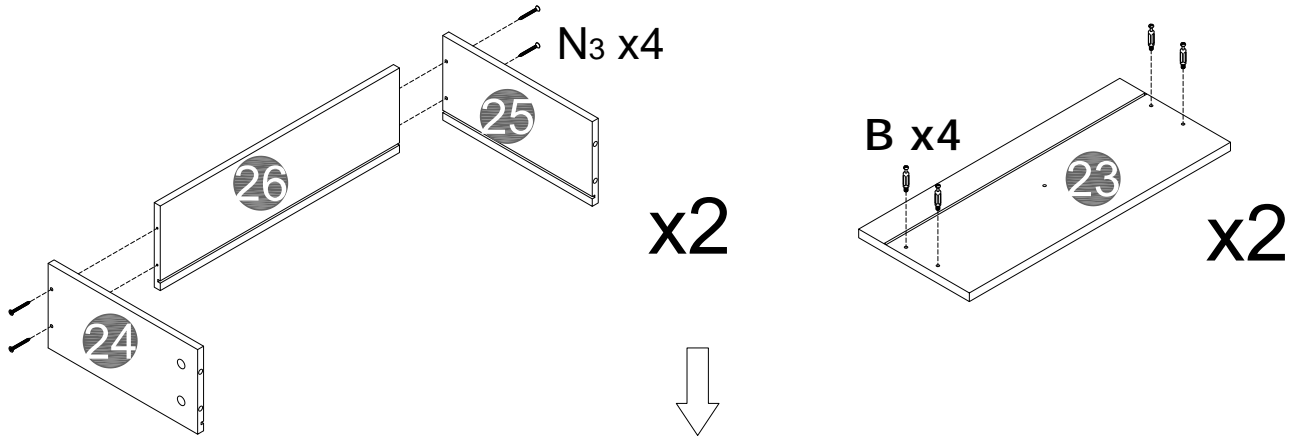


19

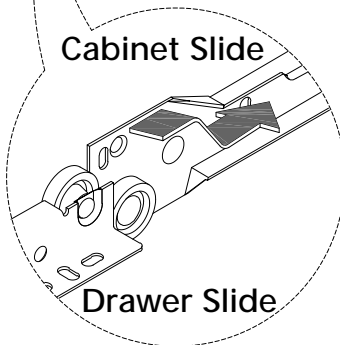
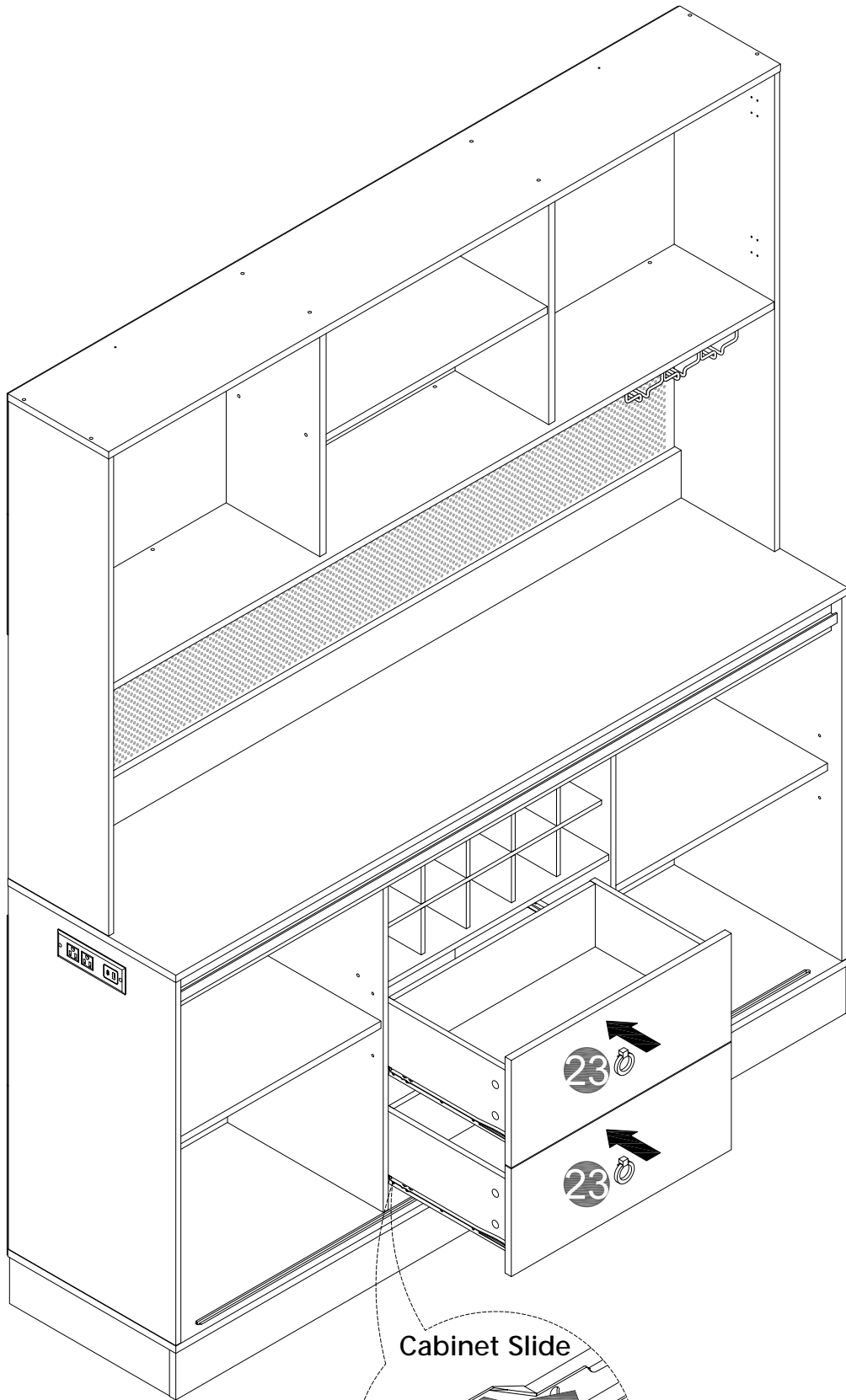


20

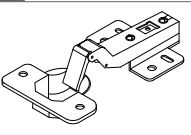
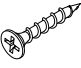
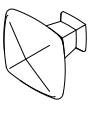
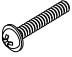
A 8PCS	B 8PCS	DL 2PCS	DR 2PCS	N 8PCS
N3 8PCS	I1 2PCS	J 2PCS		

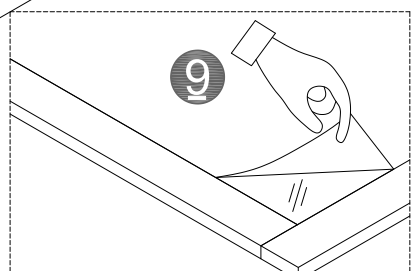
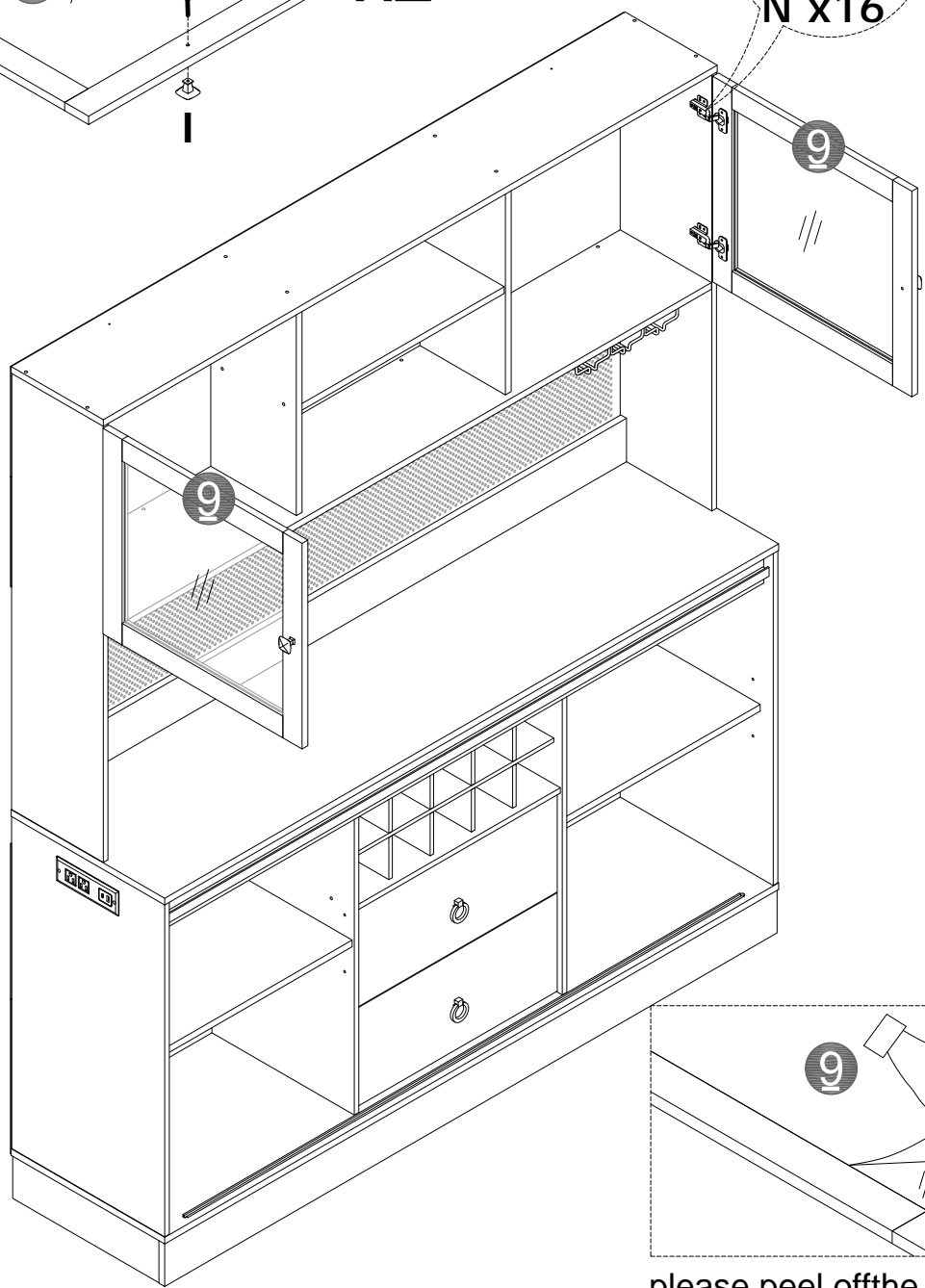
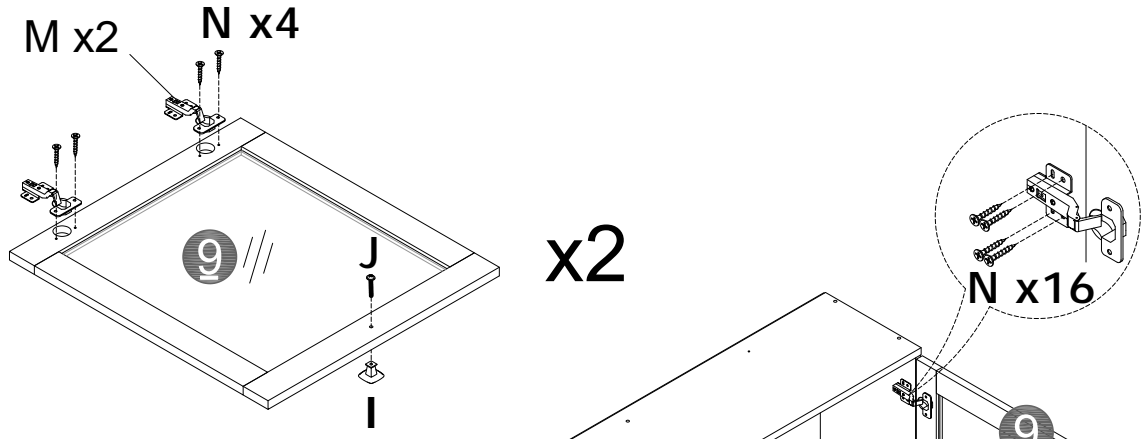


21



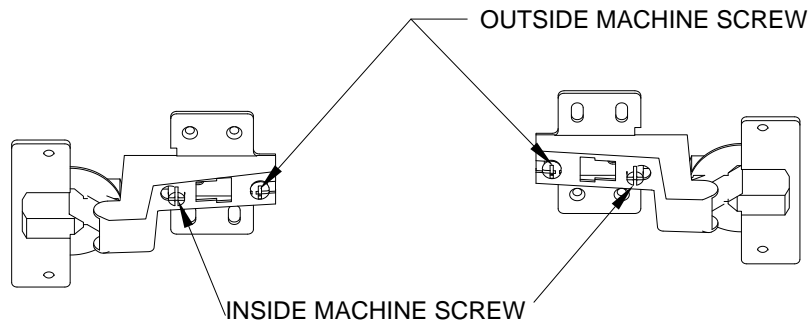
22

M	4 PCS	N	24 PCS	I	2 PCS	J	2 PCS
							



please peel off the plastic film after assembling

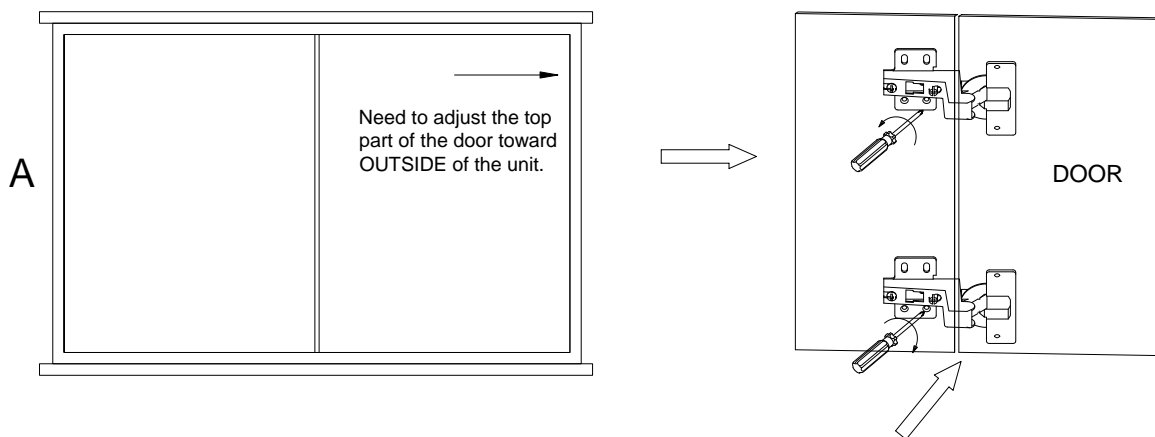
HINGE ADJUSTMENT SUPPLEMENT



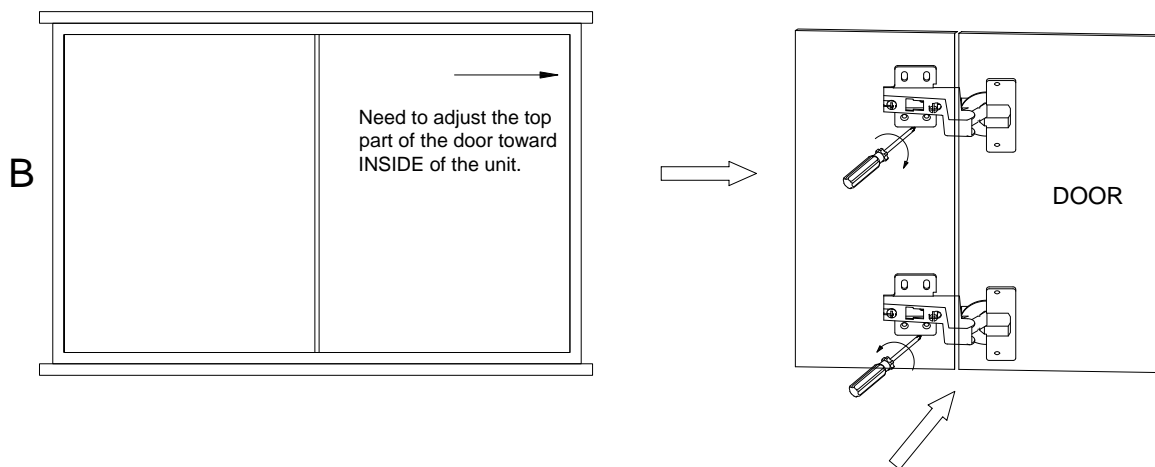
In the event that the door does not align properly, the INSIDE machine Screw located on the Hinges are for adjusting slightly to the Left or Right. **DO NOT LOOSEN THE OUTSIDE MACHINE SCREW FOR ADJUSTMENT.**
A. To adjust the door toward the OUTSIDE of the unit, turn the Inside Machine Screws to the LEFT, or COUNTERCLOCKWISE. (See Figure A)
B. To adjust the door toward the INSIDE of the unit, turn the Inside Machine screws to the RIGHT, or CLOCKWISE. (See Figure B)

***Note: Please be patient, it may take several minutes to adjust properly.**

Only once the door is in the desired position, fully tighten the OUTSIDE Machine Screws. This will ensure that the door is secure.



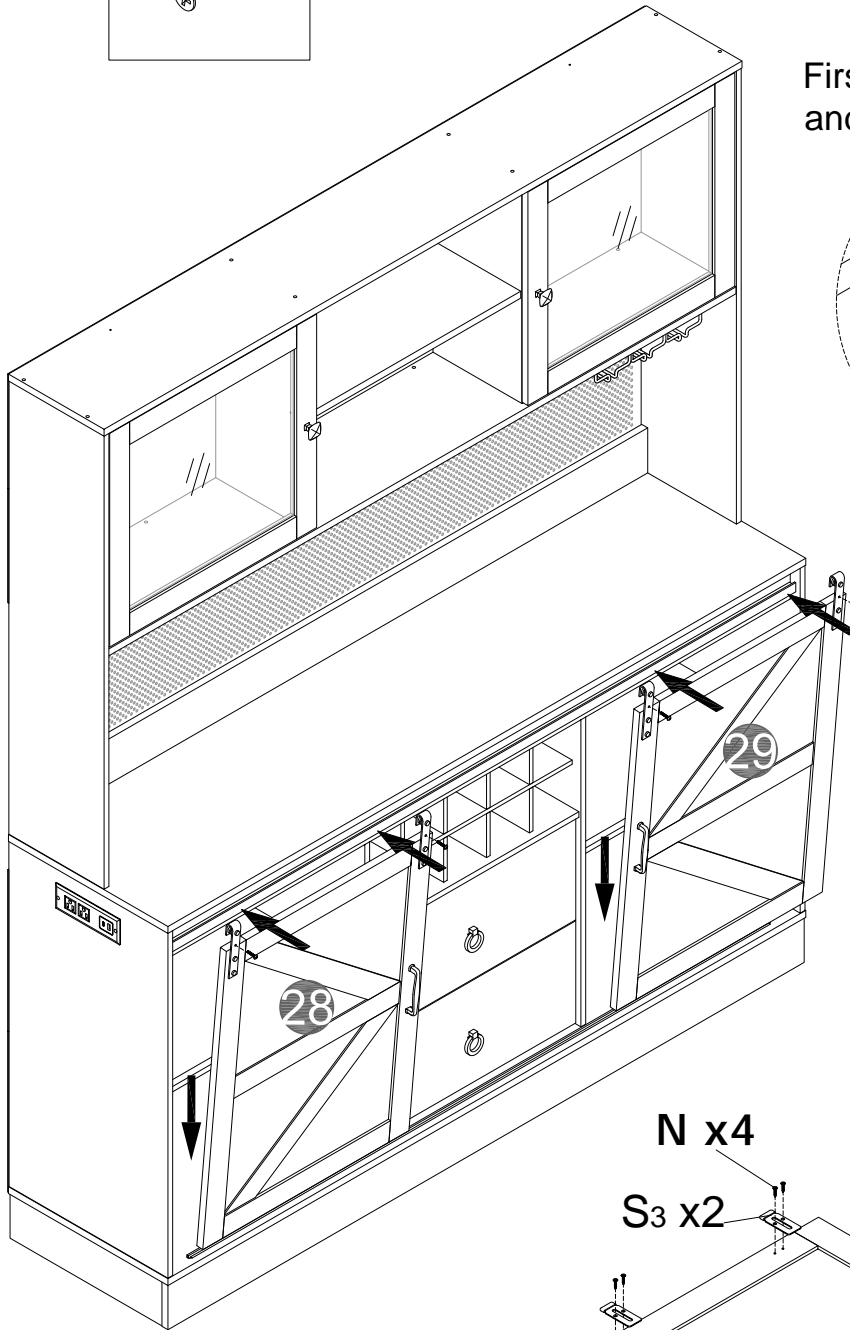
You may also need to adjust slightly the lower part of the door toward INSIDE of the unit at the same time.



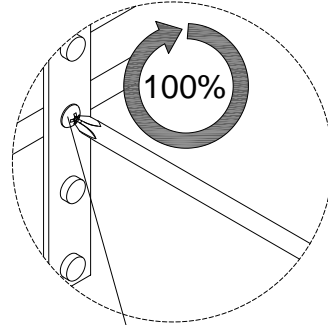
You may also need to adjust slightly the lower part of the door toward OUTSIDE of the unit at the same time.

23

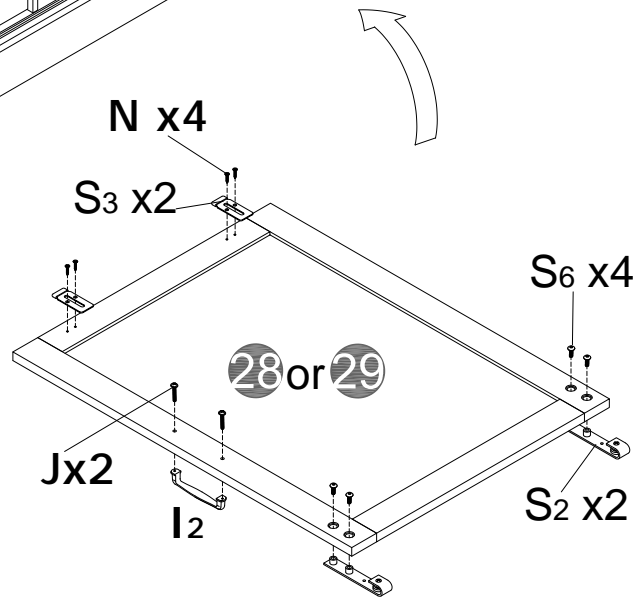
I₂	2 PCS	J	4 PCS	S₂	4 PCS	S₃	4 PCS	S₄	4 PCS	S₆	8 PCS
N	8 PCS										



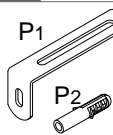
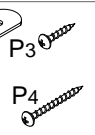


First hang the door panel up, and finally tighten the limit screw

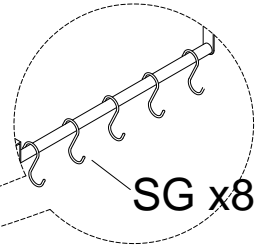
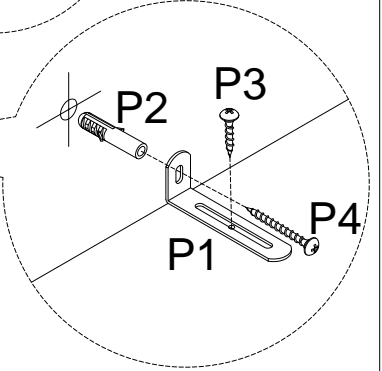
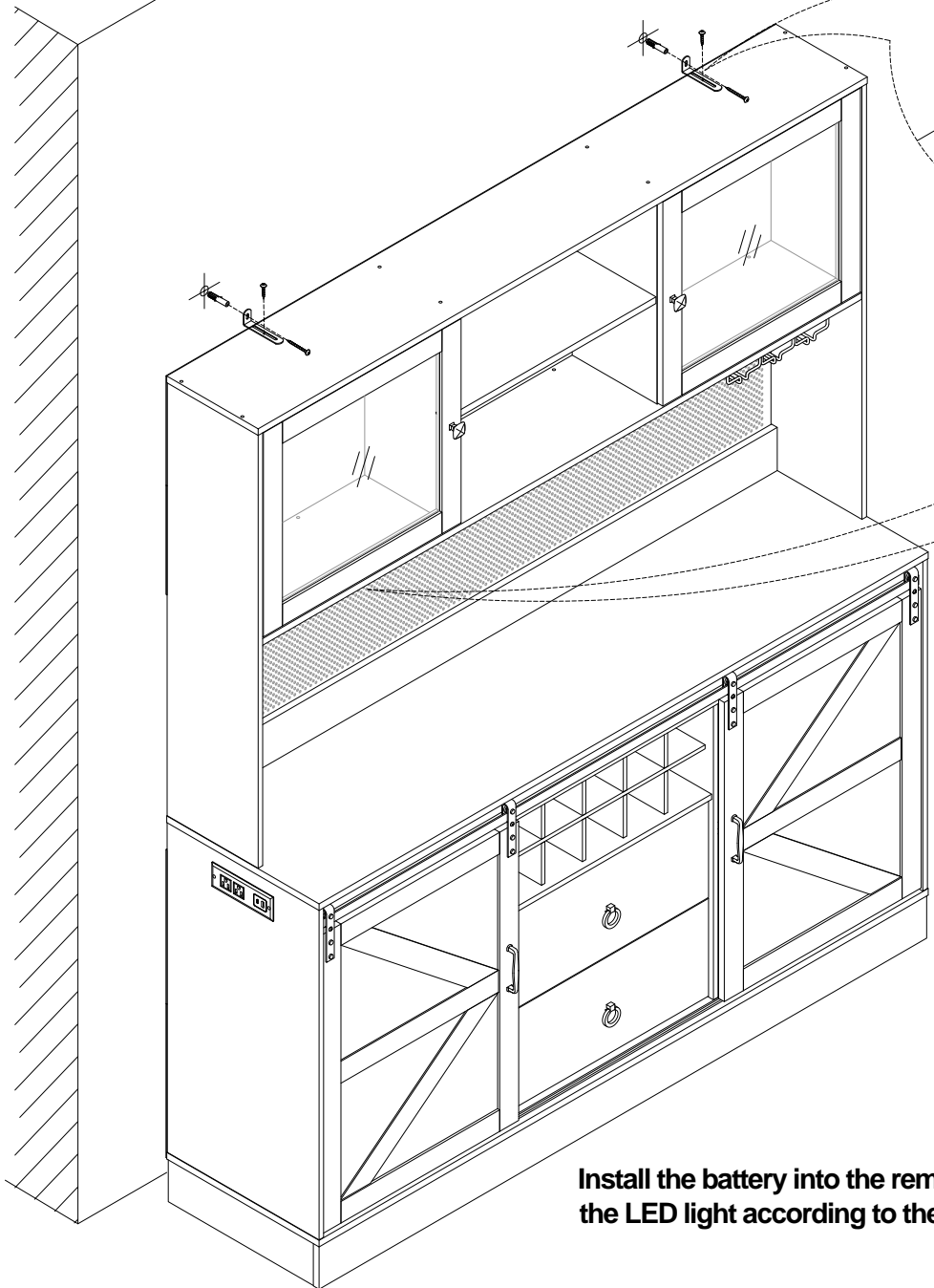
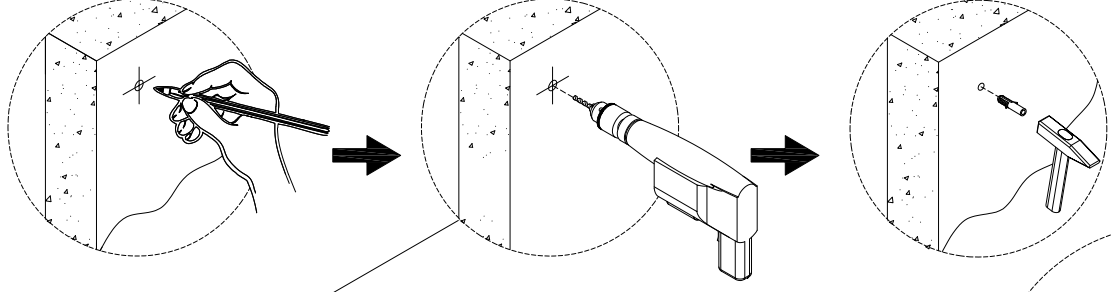


S₄ x2



24

P	2 PCS	SG	8 PC	LED	1 PC
					



The hook can be hung on the iron rod or on the hole of the backboard iron plate.



LED

Install the battery into the remote control and operate the LED light according to the LED manual.