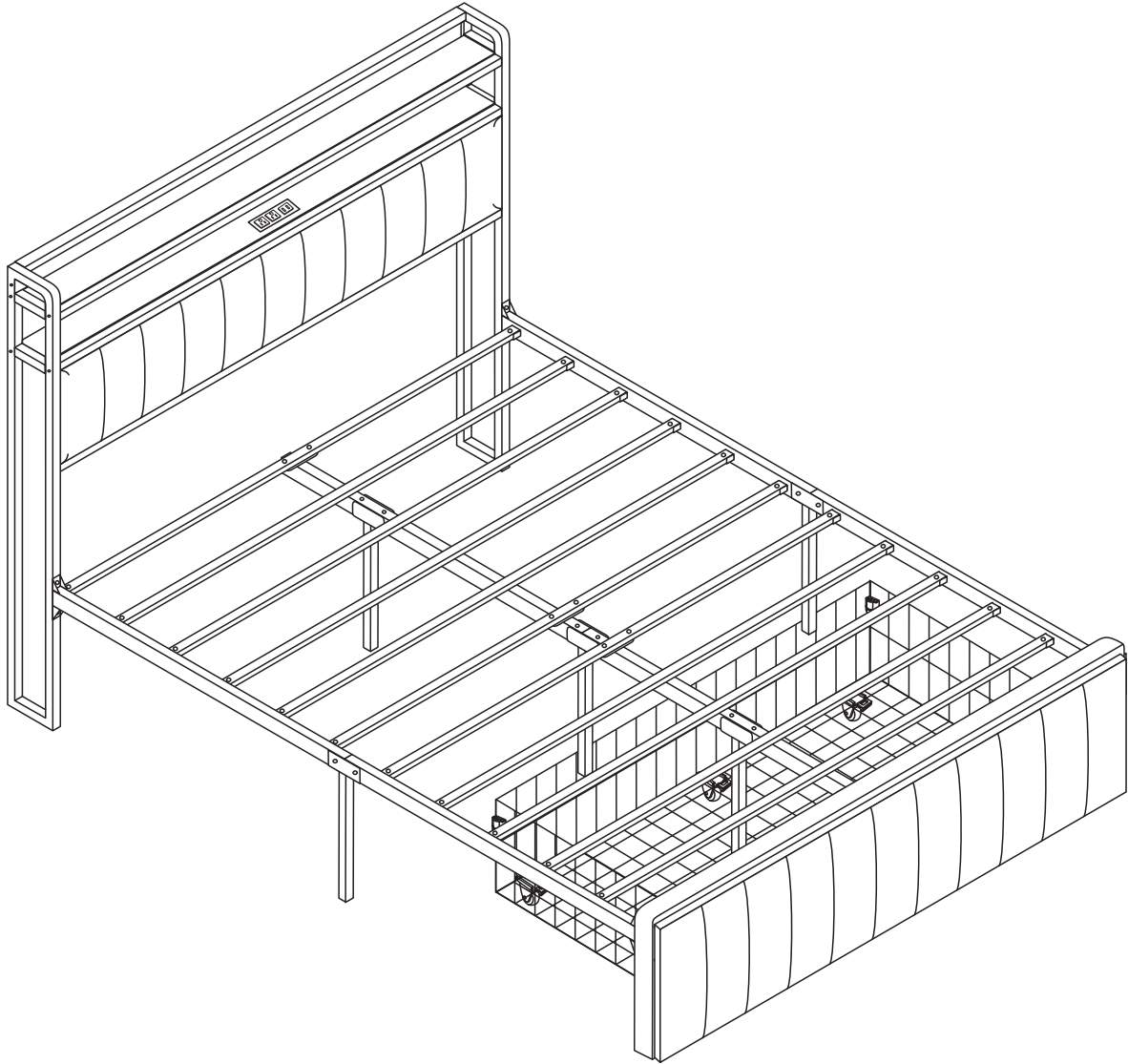


Bed Frame with Storage Headboard & Charging Station Assembly Instructions

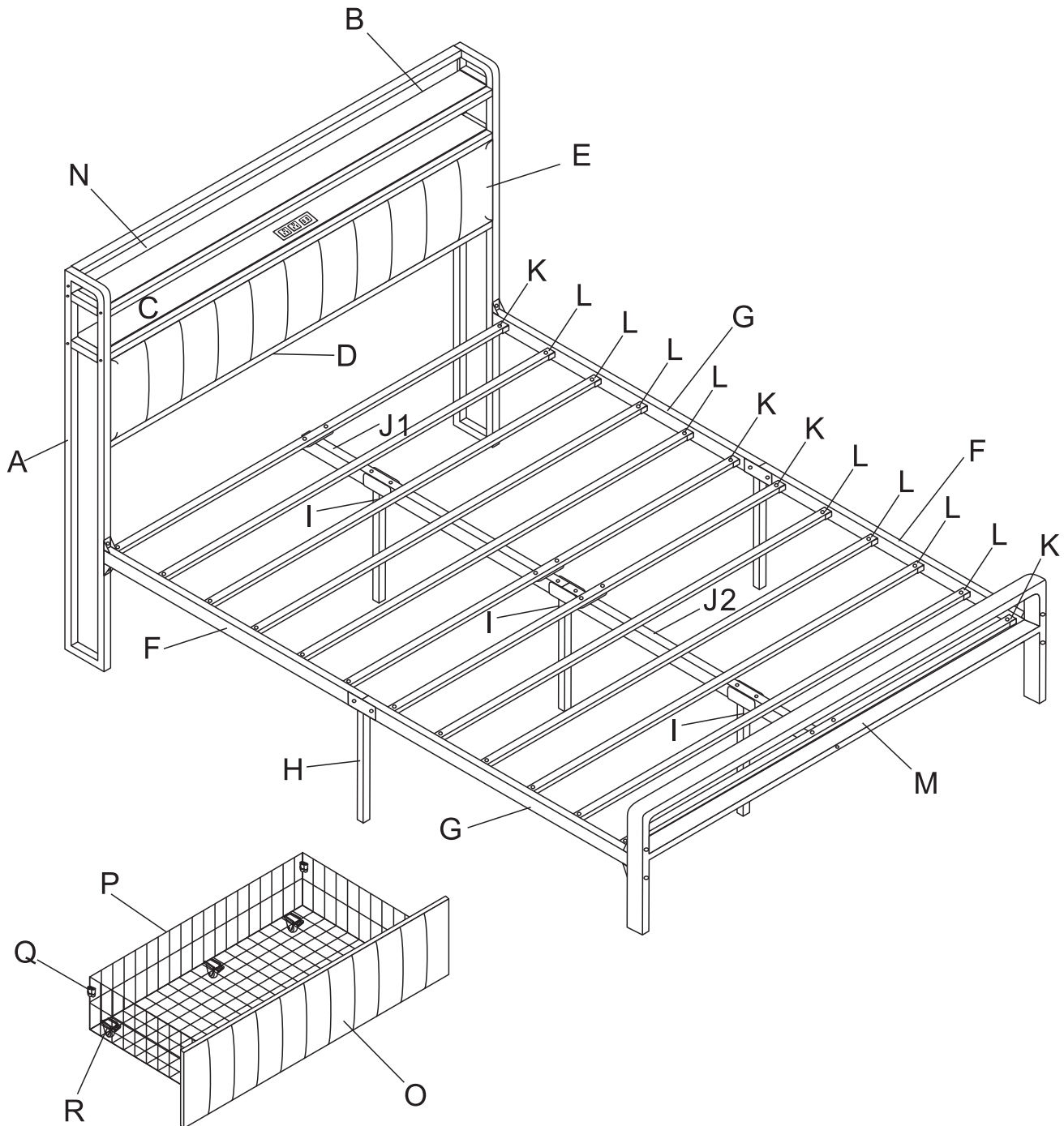


Dear Customers,

Thank you for purchasing our product. Please read this instruction manual carefully after receiving this product. It will help you assemble this product quickly, safely and correctly. You can keep this manual for future reference.

MADEINCHINA


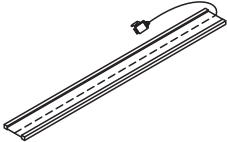
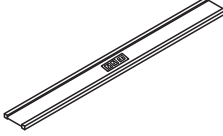
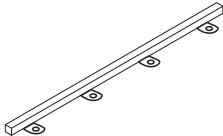
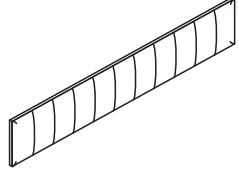
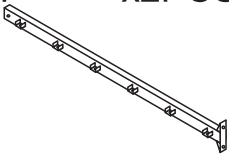
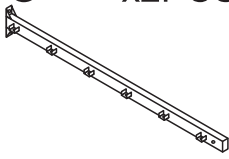


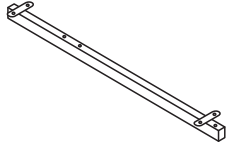
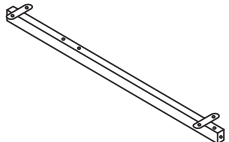
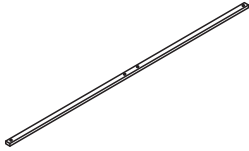
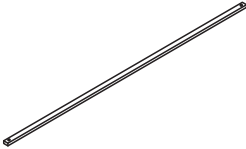
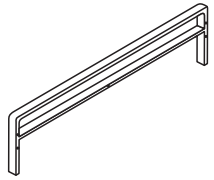
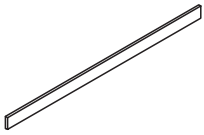
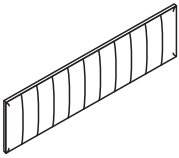
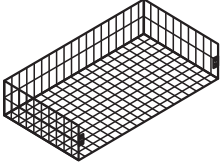
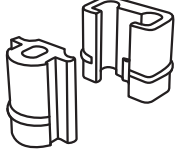
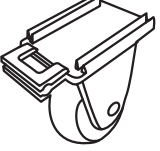







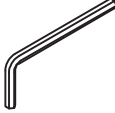
ASSEMBLY INSTRUCTIONS



Notice: Do not tighten the screws too tightly at the beginning of the assembly. After each hole position is matched well, with gently force to screw, if there is no problem, then tighten all the screws.

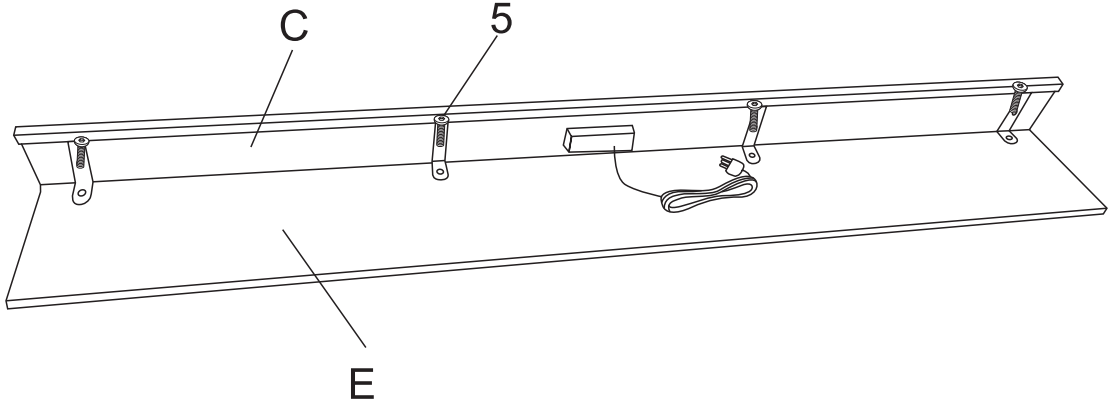
ASSEMBLY INSTRUCTIONS

PARTSLIST


A x2PCS 	B x1PC 	C x1PC 	D x1PC 	E x1PC 	
F x2PCS 	G x2PCS 	H x2PCS 	I x3PCS 	J1 x1PC 	
J2 x1PC 	K x4PCS 	L x8PCS 	M x1PC 	N x1PC 	
O x1PC 	P x1PC 	Q x2PCS 	R x6PCS 	S x2PCS 	
T x1PC 					
1 x16PCS  M8x40mm	2 x9PCS  M8x20mm	3 x6PCS  M6x35mm	4 x32PCS  M6x25mm	5 x14PCS  M6x13mm	6 x1PC 

ASSEMBLY INSTRUCTIONS

1

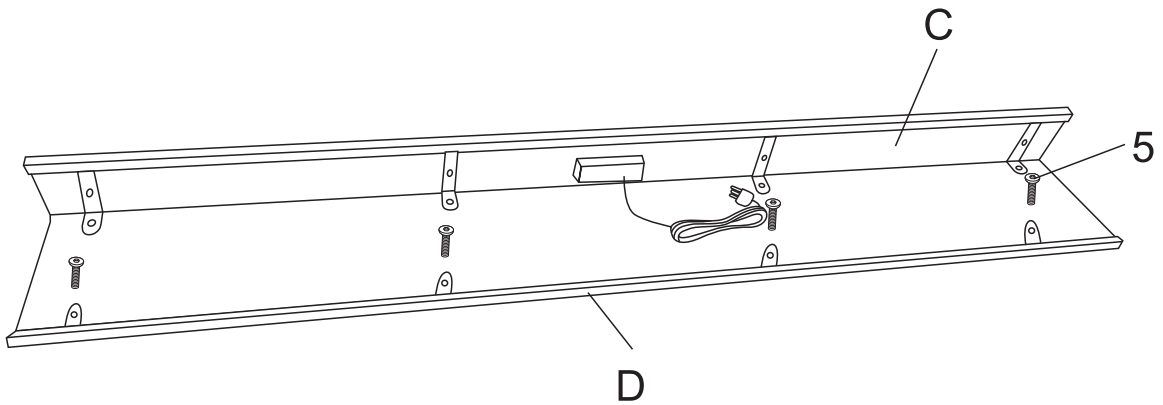


5



M6x13mm

4PCS

2



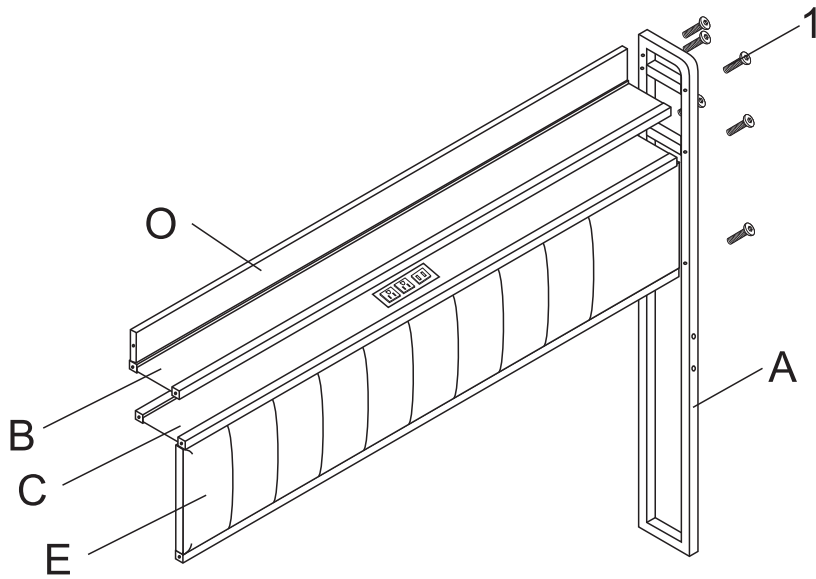
5



M6x13mm

4PCS

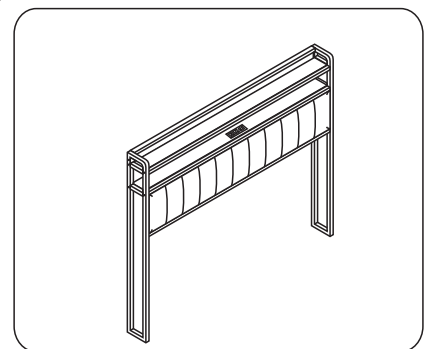
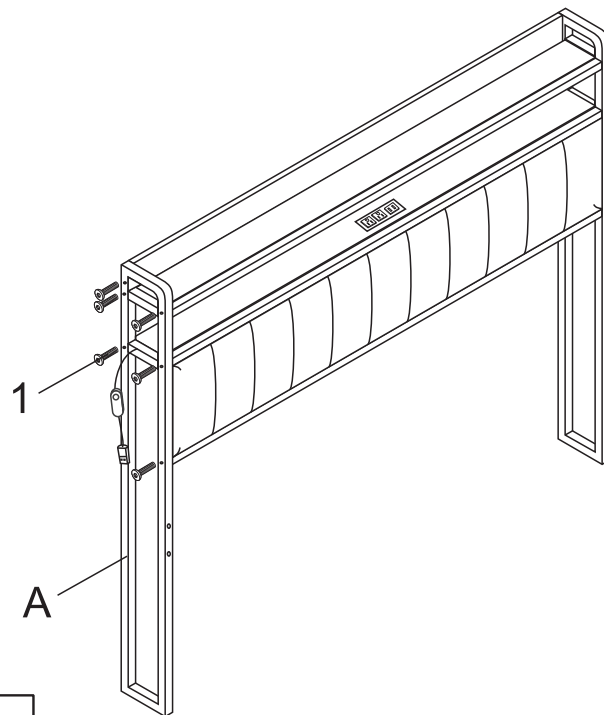
ASSEMBLY INSTRUCTIONS

3



1	 M8x40mm	6PCS
---	--	------

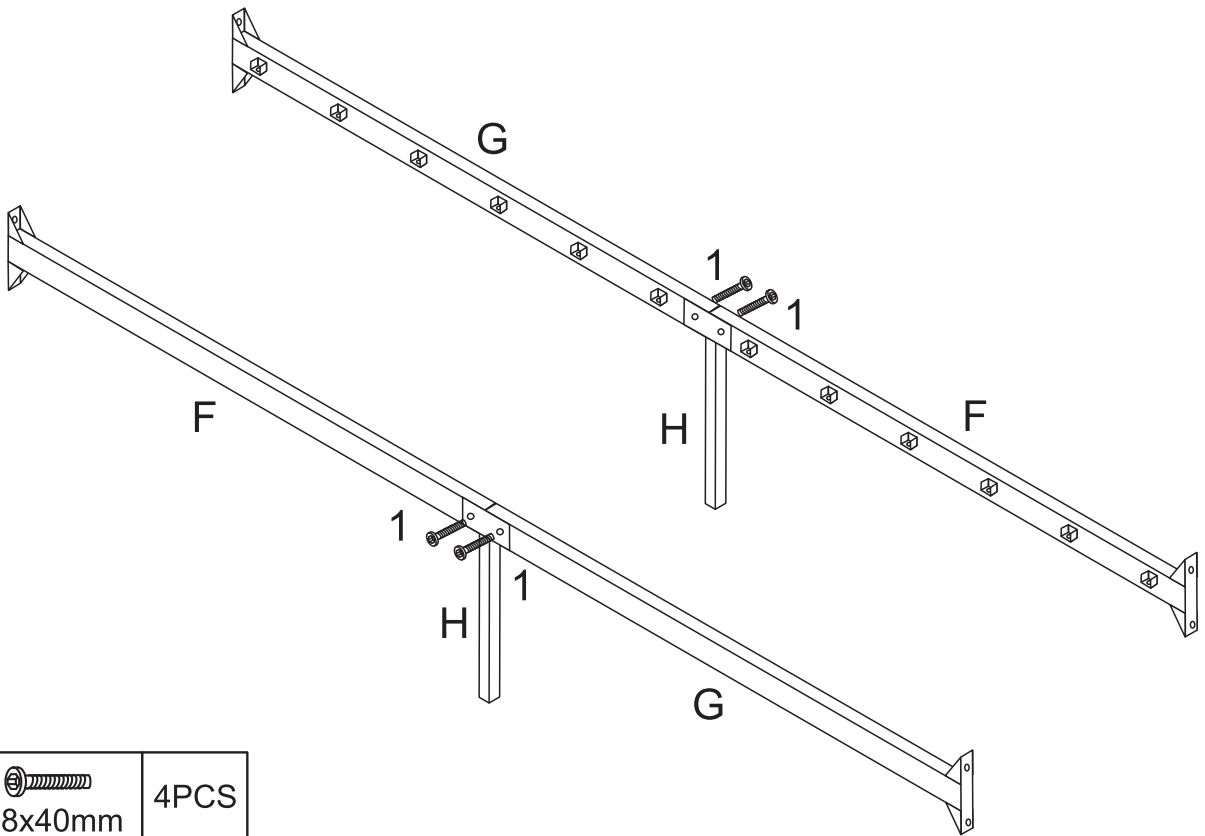
4




1	 M8x40mm	6PCS
---	--	------

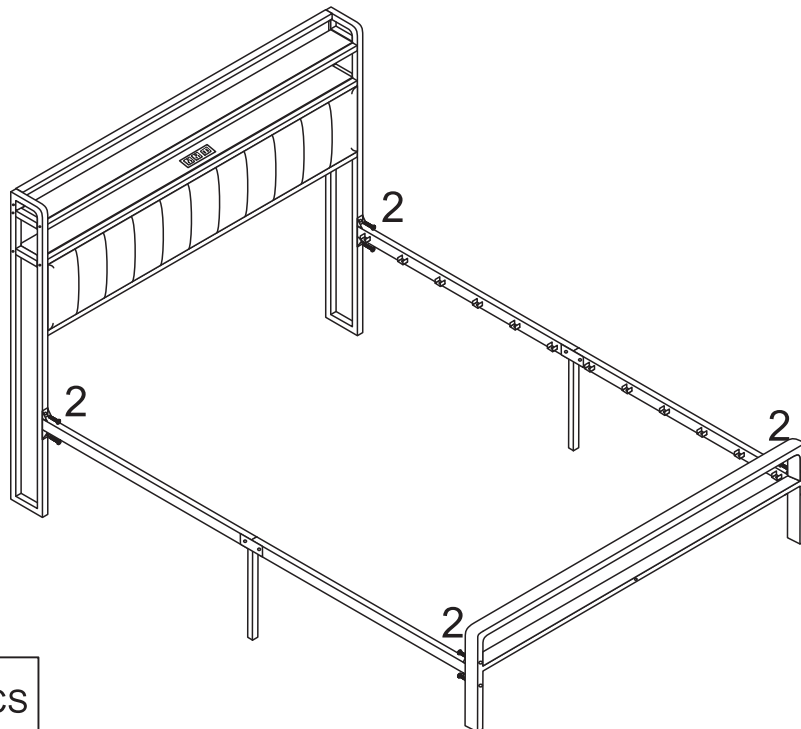
ASSEMBLY INSTRUCTIONS


5



1	 M8x40mm	4PCS
---	--	------

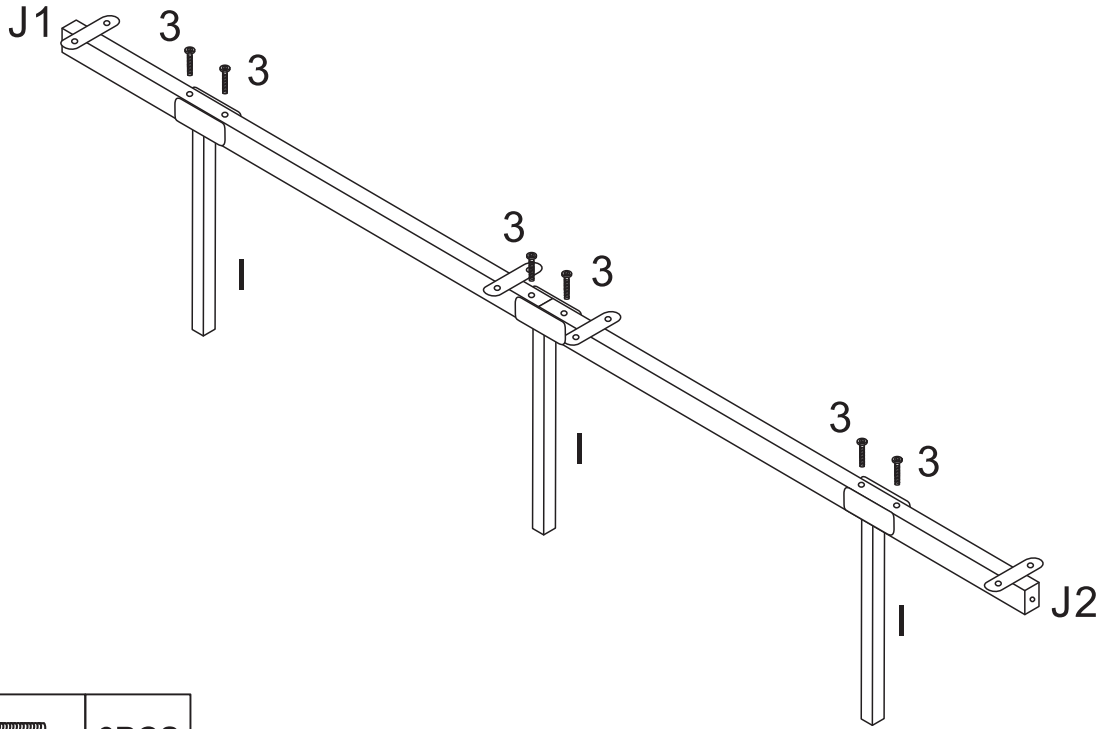
6




2	 M8x20mm	8PCS
---	--	------

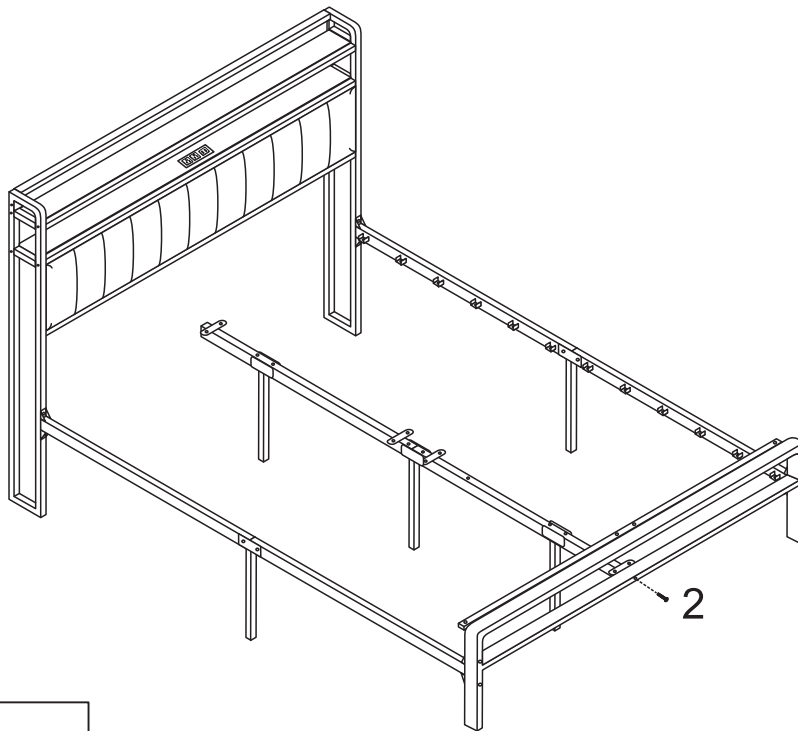
ASSEMBLY INSTRUCTIONS


7



3		6PCS
---	---	------

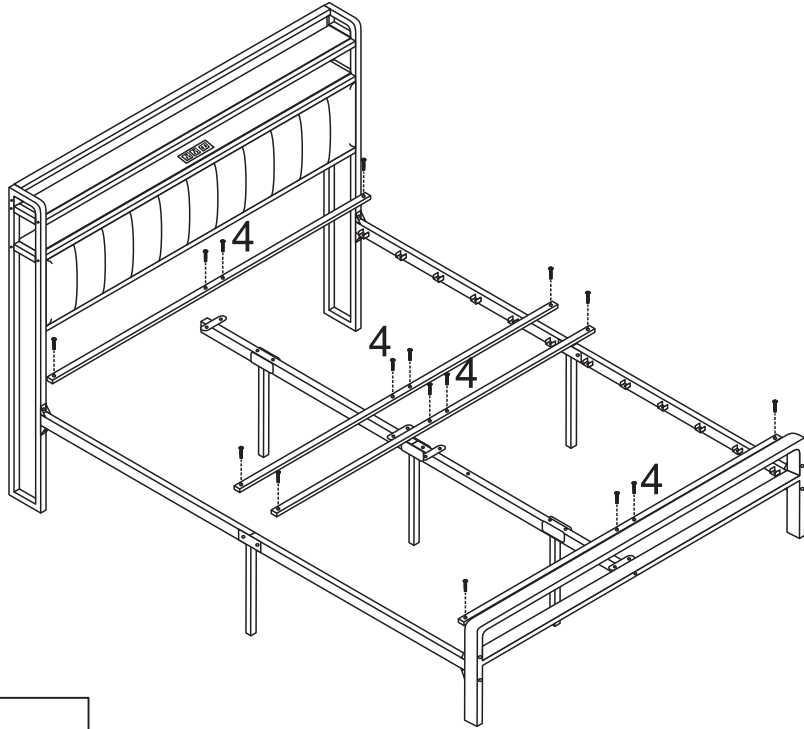
8




2		1PC
---	---	-----

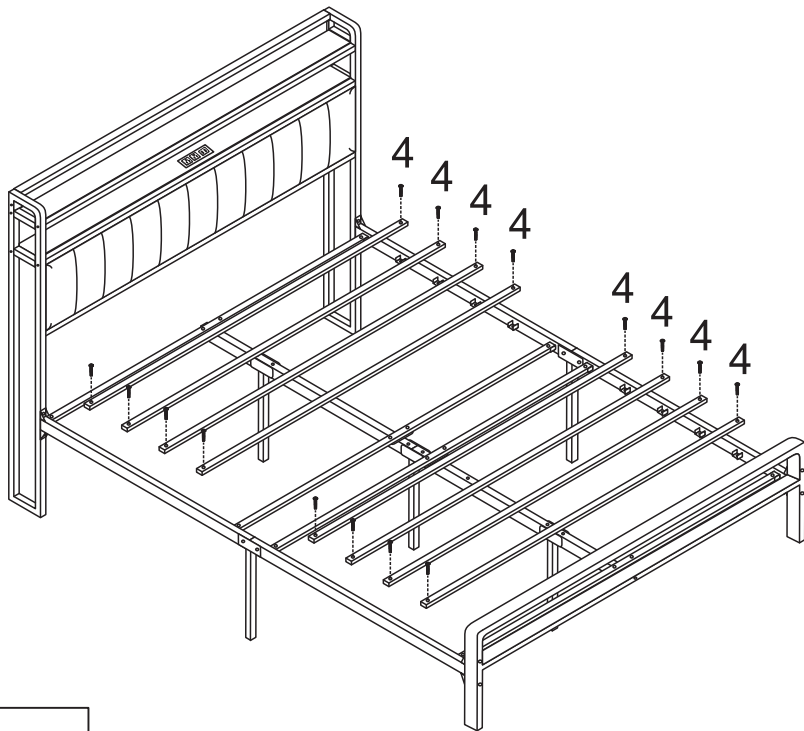
ASSEMBLY INSTRUCTIONS


9



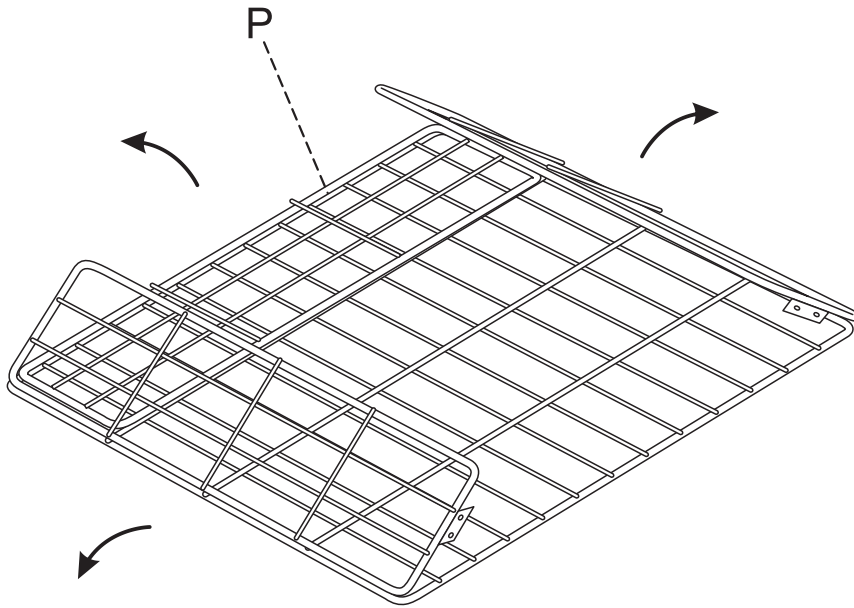
4		16PCS
M6x25mm		

10

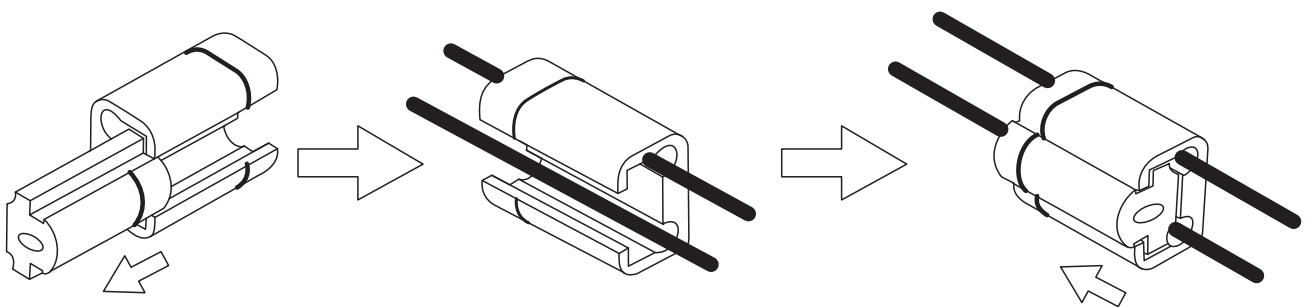


4		16PCS
M6x25mm		

11



12



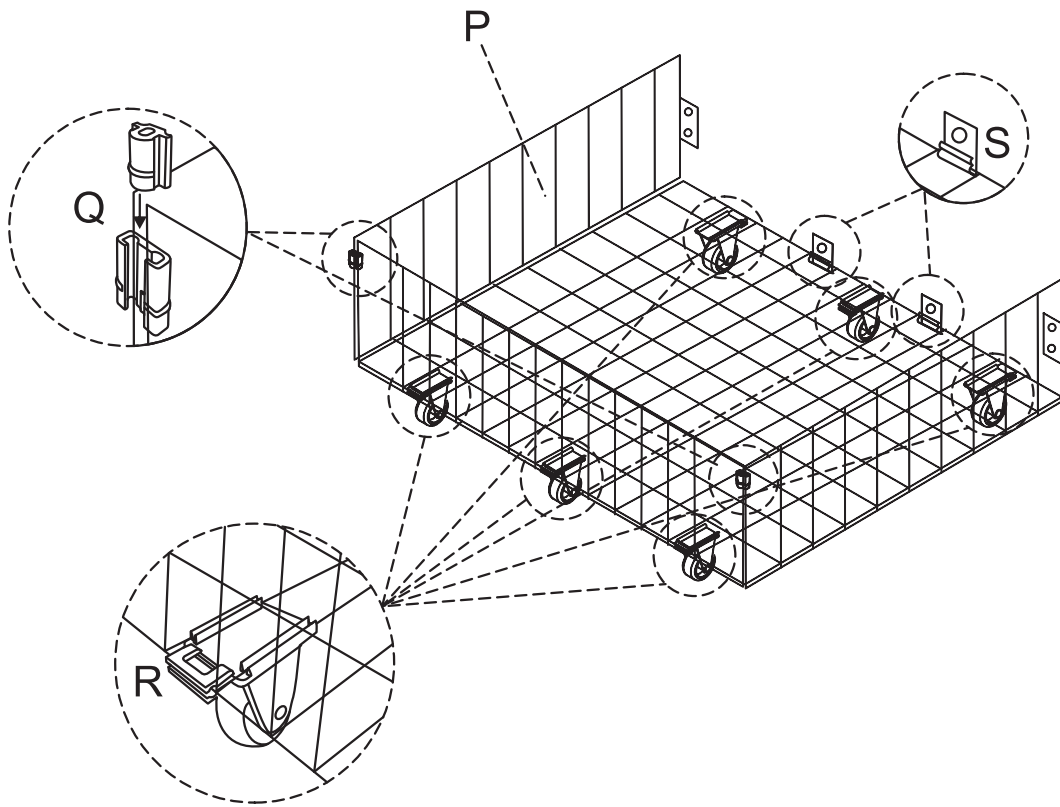
You can pull the buckle out by following the direction indicated by the arrow

Place round iron tube as shown for better drawer assembly

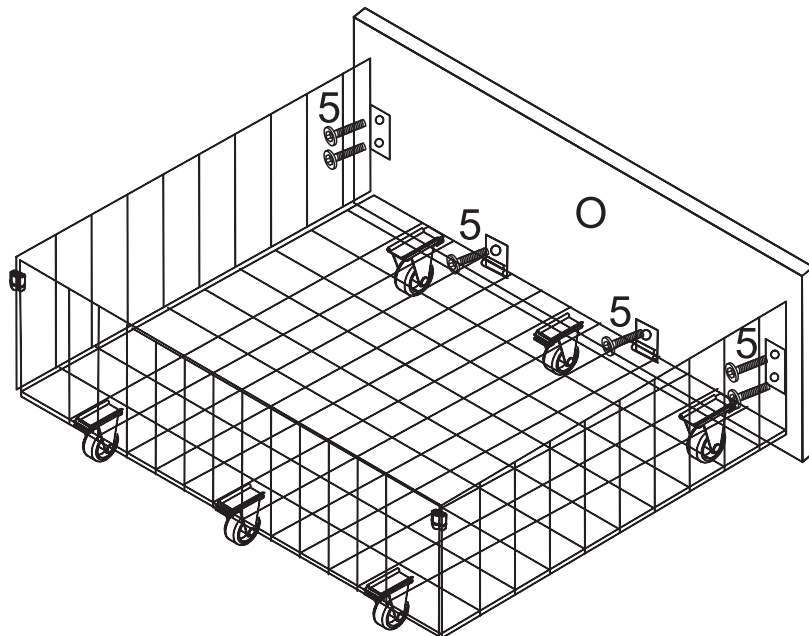
This is the only direction that can be locked.

ASSEMBLY INSTRUCTIONS

13

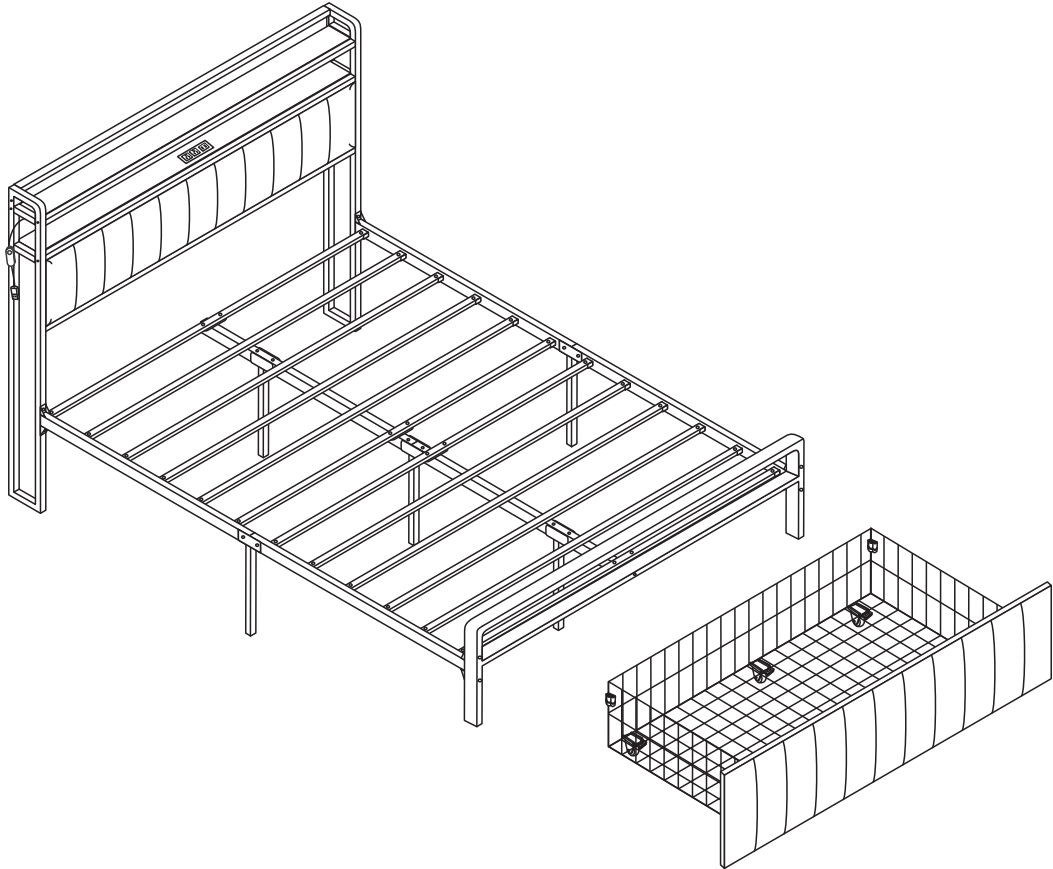


14



5	 M6x13	6PCS
---	--	------

15



16

