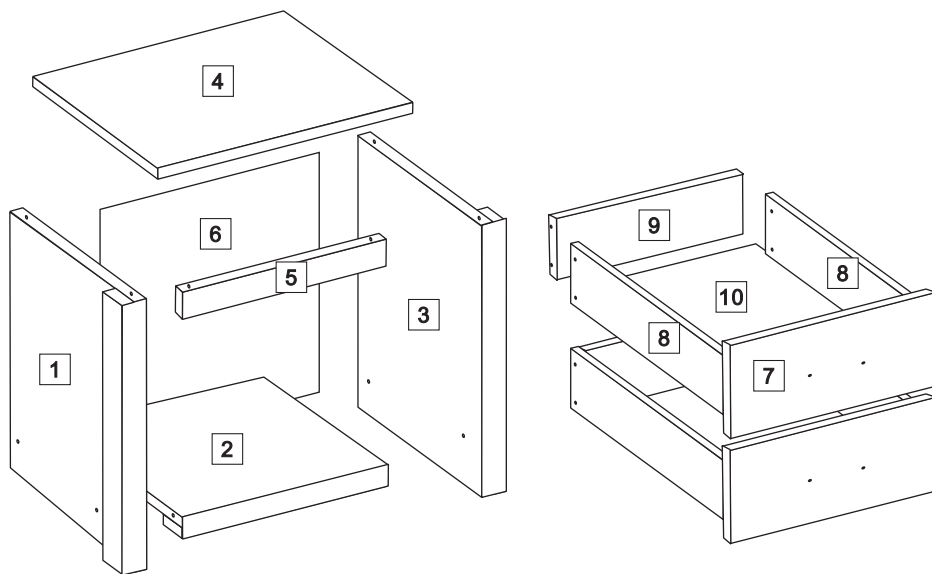
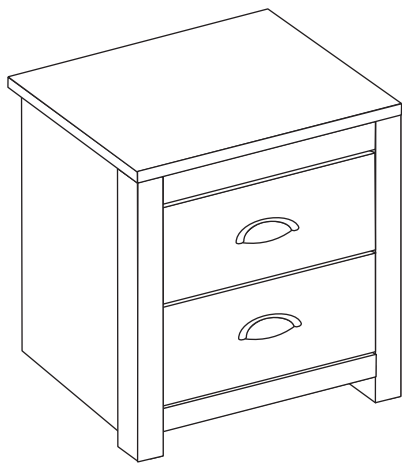









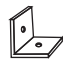


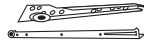


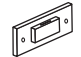


MODEL : DERBY 2 DRAWERS BEDSIDE

ASSEMBLY INSTRUCTIONS (Ref : 5563)

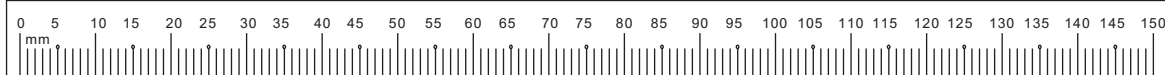
COMPONENTS / PARTS



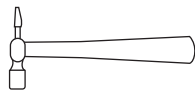
HARDWARE

<p>(A)</p>  <p>JCBC M5 X 40mm X 4</p>	<p>(B)</p>  <p>M4 X 32mm X 10</p>	<p>(C)</p>  <p>M3.5 X 14mm X 28</p>	<p>(D)</p>  <p>Button Head 20mm X 4</p>	<p>(E)</p>  <p>Wood Dowel (8x25mm) X 8</p>
<p>(F)</p>  <p>Nail X 30</p>	<p>(G)</p>  <p>Leg Pin X 4</p>	<p>(H)</p>  <p>L-Bracket X 2</p>	<p>(I)</p>  <p>Handle X 2</p>	<p>(J)</p>  <p>Bolt Nut Mini Fit X 6 sets</p>
<p>(K)</p>  <p>Drawer Slide 14" X 2 sets</p>	<p>(L)</p>  <p>Allen Key X 1</p>	<p>(M) for Anti-Tipping kit use</p>  <p>Wall Plug X 2</p>	<p>(N) for Anti-Tipping kit use</p>  <p>Bracket X 2</p>	<p>(O) for Anti-Tipping kit use</p>  <p>Strap X 1</p>
<p>(P) for Anti-Tipping kit use</p>  <p>M4 X 20mm X 2</p>				

Ruler- Use this ruler to help correctly indentify the bolts.



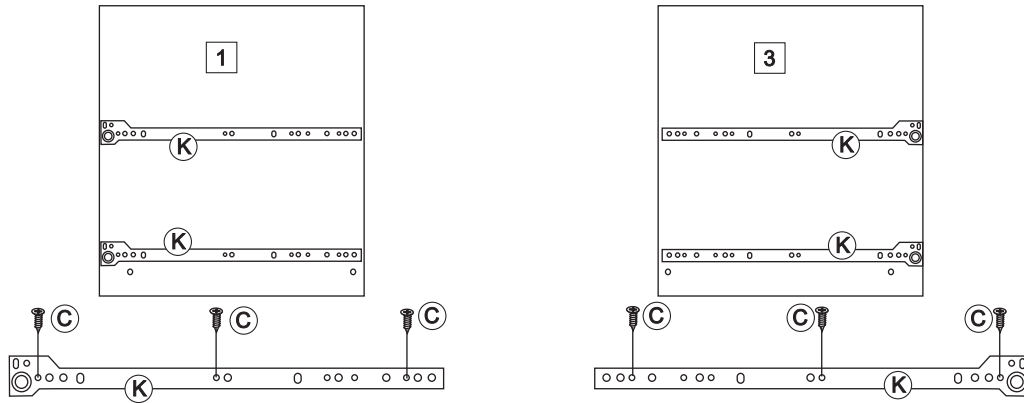
PHILIP SCREW DRIVER
(Not Provided)



SMALL HAMMER
(Not Provided)

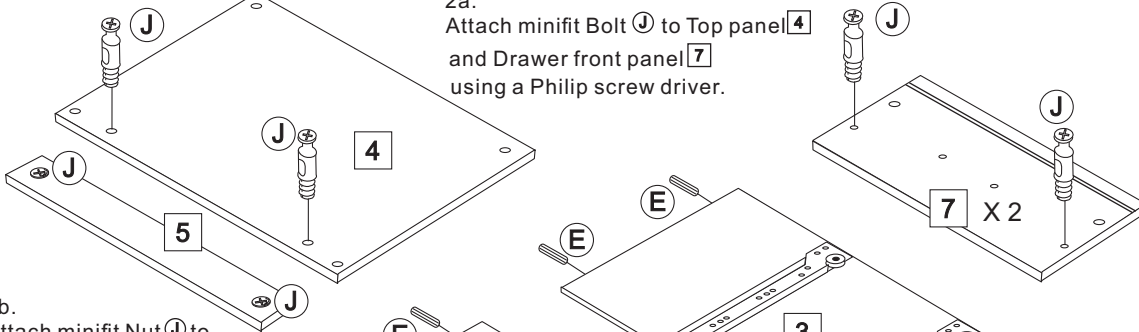
STEP 1

Attach Drawer Slide (K) to side Panel 1 & 3 as shown with Screw (C) to the pilot holes and tighten with a Screw driver.

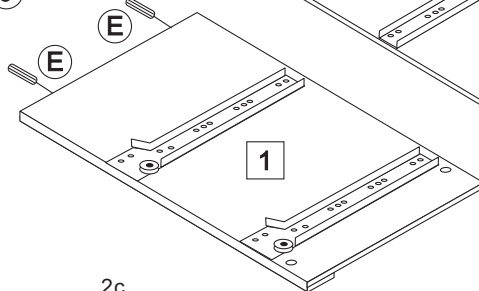


STEP 2

2a. Attach minifit Bolt (J) to Top panel 4 and Drawer front panel 7 using a Philip screw driver.

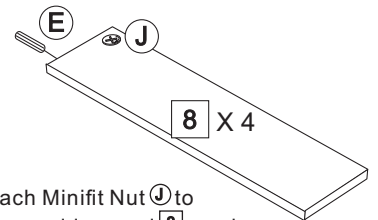


2b. Attach minifit Nut (J) to Front panel 5 as shown



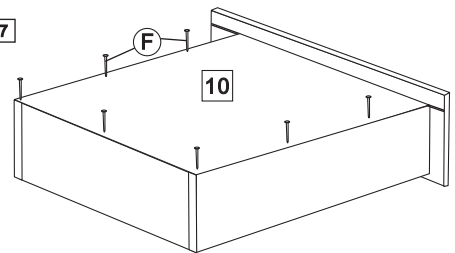
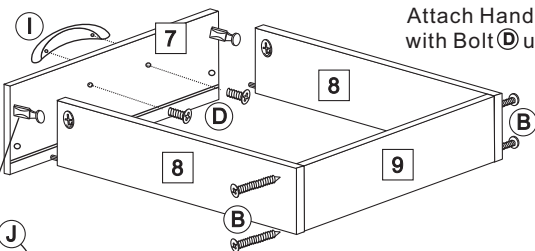
2c. Attach Dowel (E) to Side panel 1, 3 and Drawer side panel 8

2d. Attach Minifit Nut (J) to Drawer side panel 8 as shown.



STEP 3

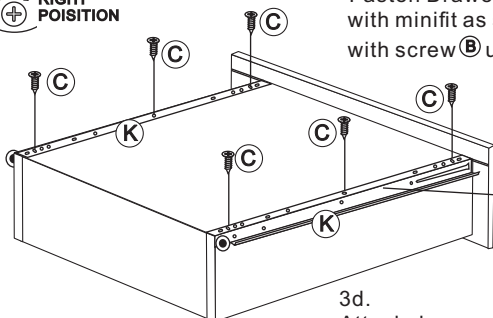
3a. Attach Handle (I) to Drawer front panel 7 with Bolt (D) using a screw driver.



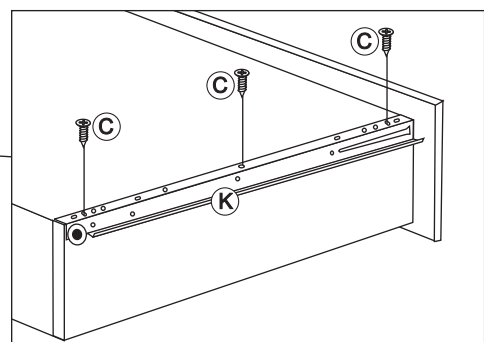
3b. Fasten Drawer side panel 8 to Drawer front panel 7 with minifit as shown. Secure the drawer back panel 9 with screw (B) using a Philip screw driver.

3c. Attach base board 10 with nail (F) to the Drawer base using a small hammer.

1st
2nd
3rd
LOCK
INSERT
RIGHT
POSITION



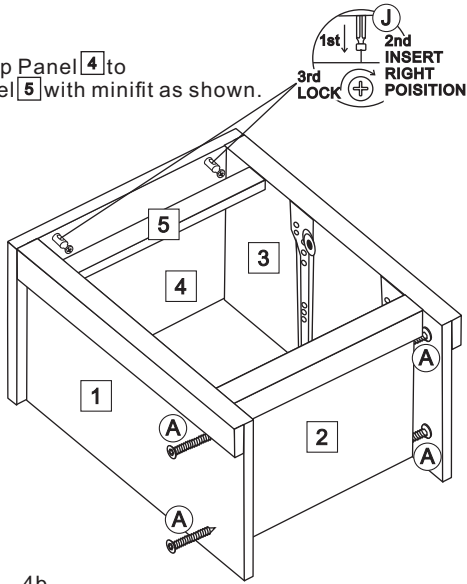
3d. Attach drawer slide rail (K) to drawer base with screw (C) and tighten with screw driver.



x 2 sets

STEP 4

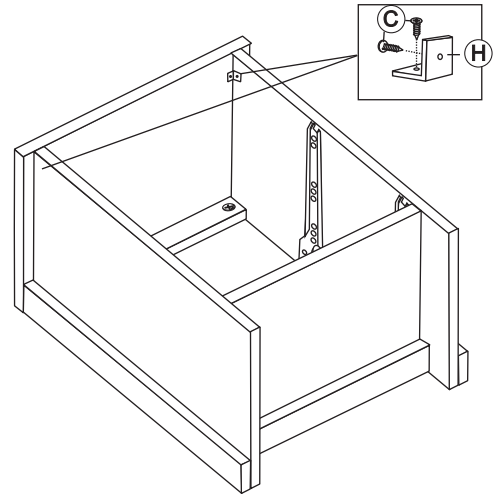
4a.
Fasten Top Panel **4** to
Front panel **5** with minifit as shown.



4b.
Fasten Bottom panel **2** to Side panel **1** & **3**
with Screw **A** as shown, and tighten using Allen key.

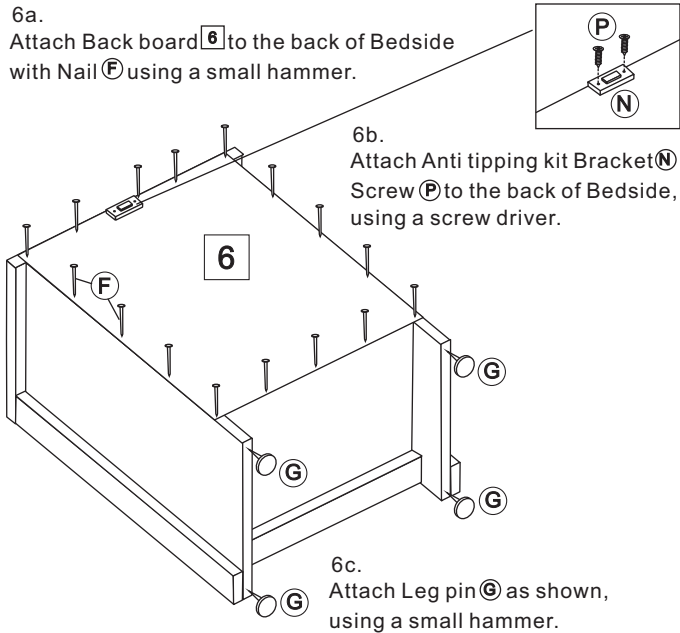
STEP 5

Attach the L-bracket **H** with Screw **C** using a Philip screw driver.



STEP 6

6a.
Attach Back board **6** to the back of Bedside
with Nail **F** using a small hammer.

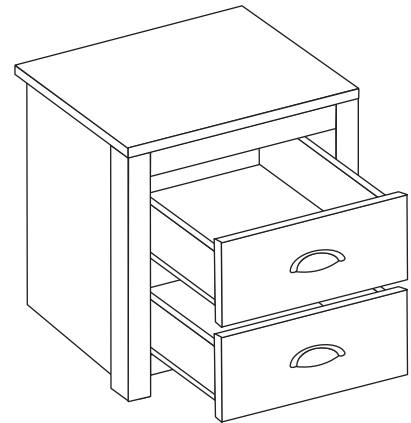


6b.
Attach Anti tipping kit Bracket **N** with
Screw **P** to the back of Bedside,
using a screw driver.

6c.
Attach Leg pin **G** as shown,
using a small hammer.

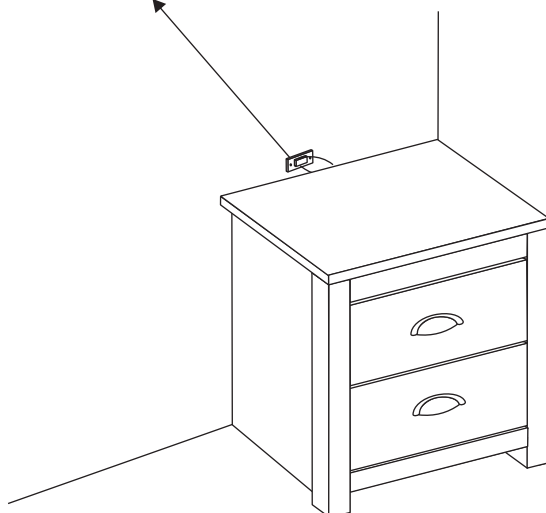
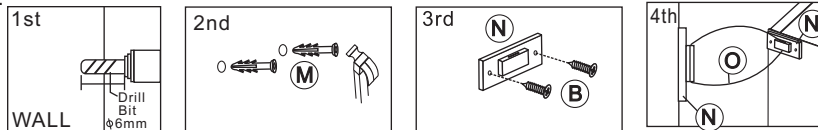
STEP 7

Slot in the drawer into the bedside frame.



STEP 8

Attach the Anti-tipping kit onto wall
Following the steps as shown.



Complete