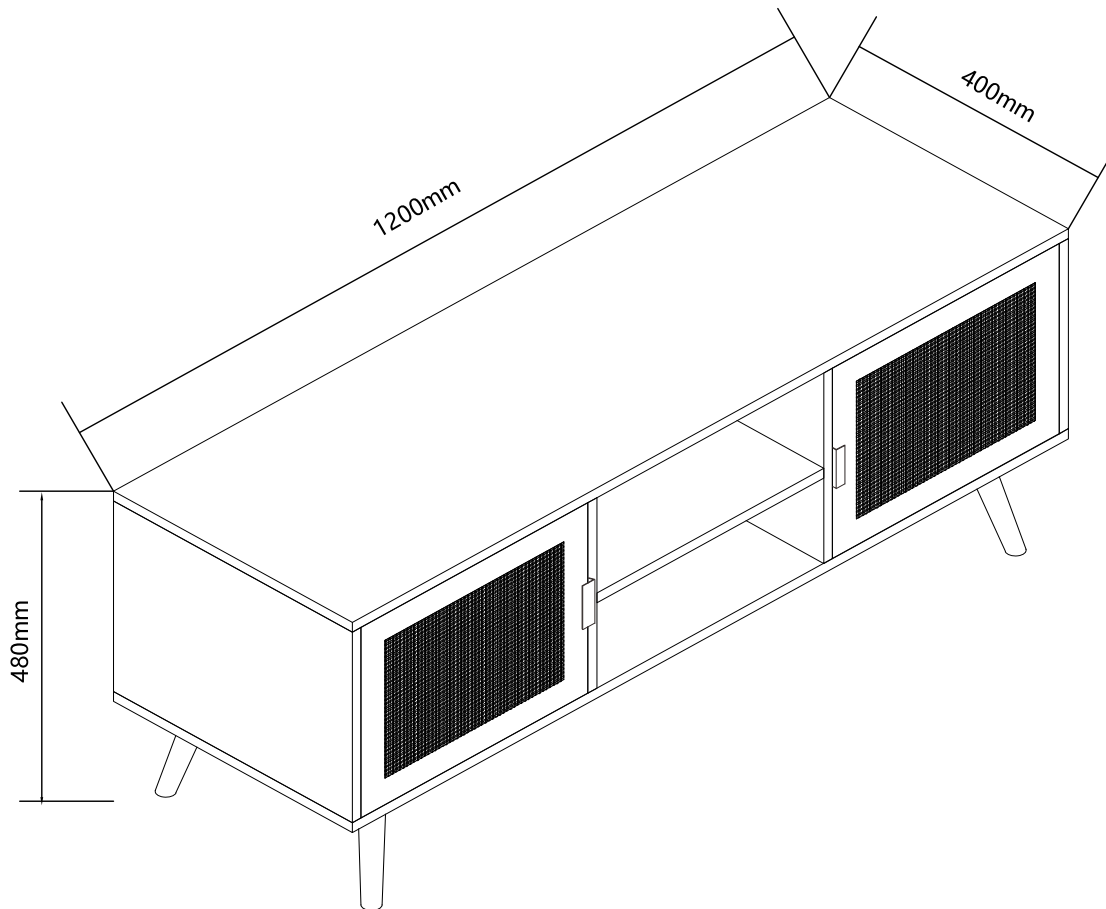
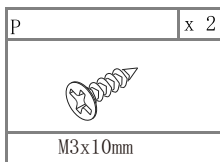
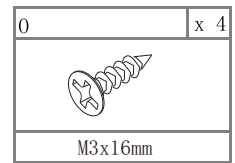
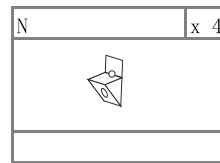
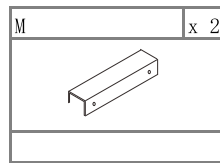
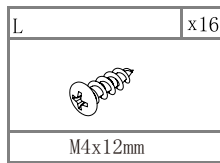
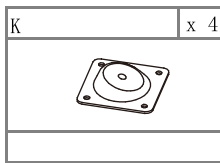
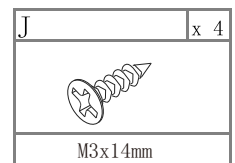
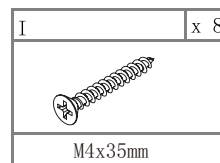
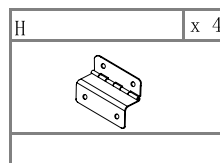
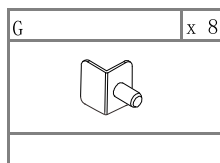
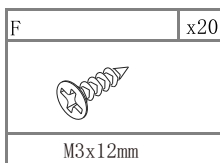
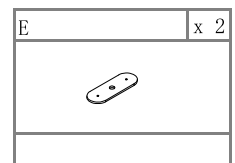
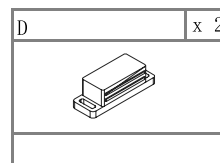
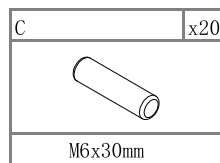
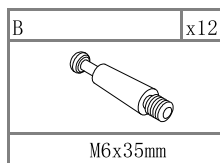
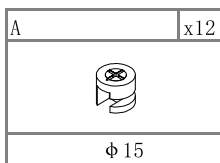
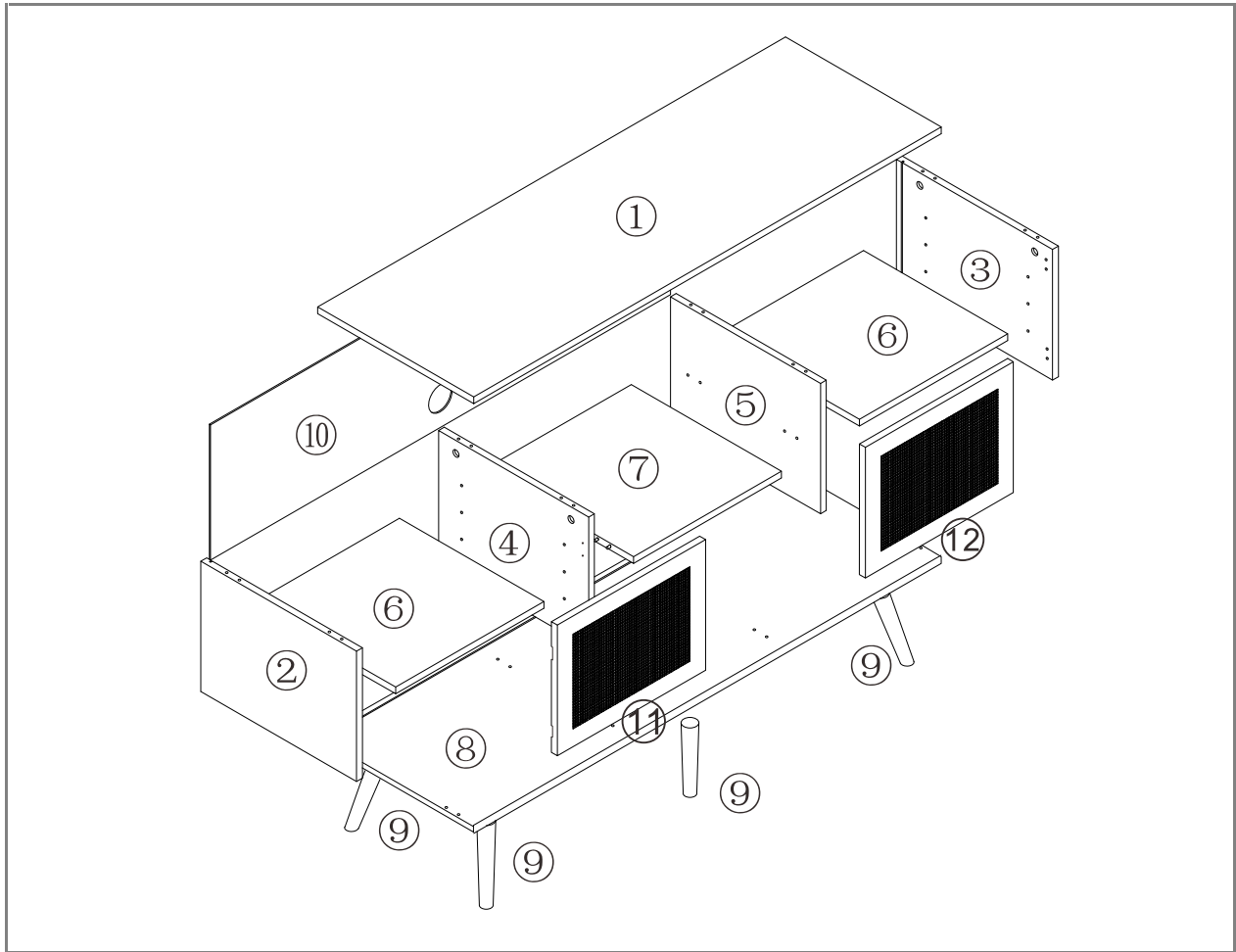


Kodu Hamilton Scandinavian TV Stand Media Console with Wooden Frame and Cabinet Doors



1. Identify the parts which make up your piece of furniture.
 2. Gather the hardware parts and count them.
 3. Have the necessary assembly tools ready.
 4. Organize a space for assembly, wall carpeting or a blanket will protect the furniture against scratches.
 5. Never force the assembling while you put the parts together. You are recommended to tighten the screws after the furniture has been used for some time.
 6. After assembling this product, it is advisable to regularly ventilate the room for a few days.
- KEEP THE ASSEMBLY INSTRUCTION. THE RELEVANT INFORMATION YOU CAN FIND ON IT WILL HELP YOU GET IN TOUCH WITH YOUR STORE IF A PART WAS TO BE MISSING.**

Please check that all parts are present before you start the assembly of your furniture. A **Philipshead screwdriver (not included)** is required for the assembled of this product.



SET-UP TIME: 45 MINUTE



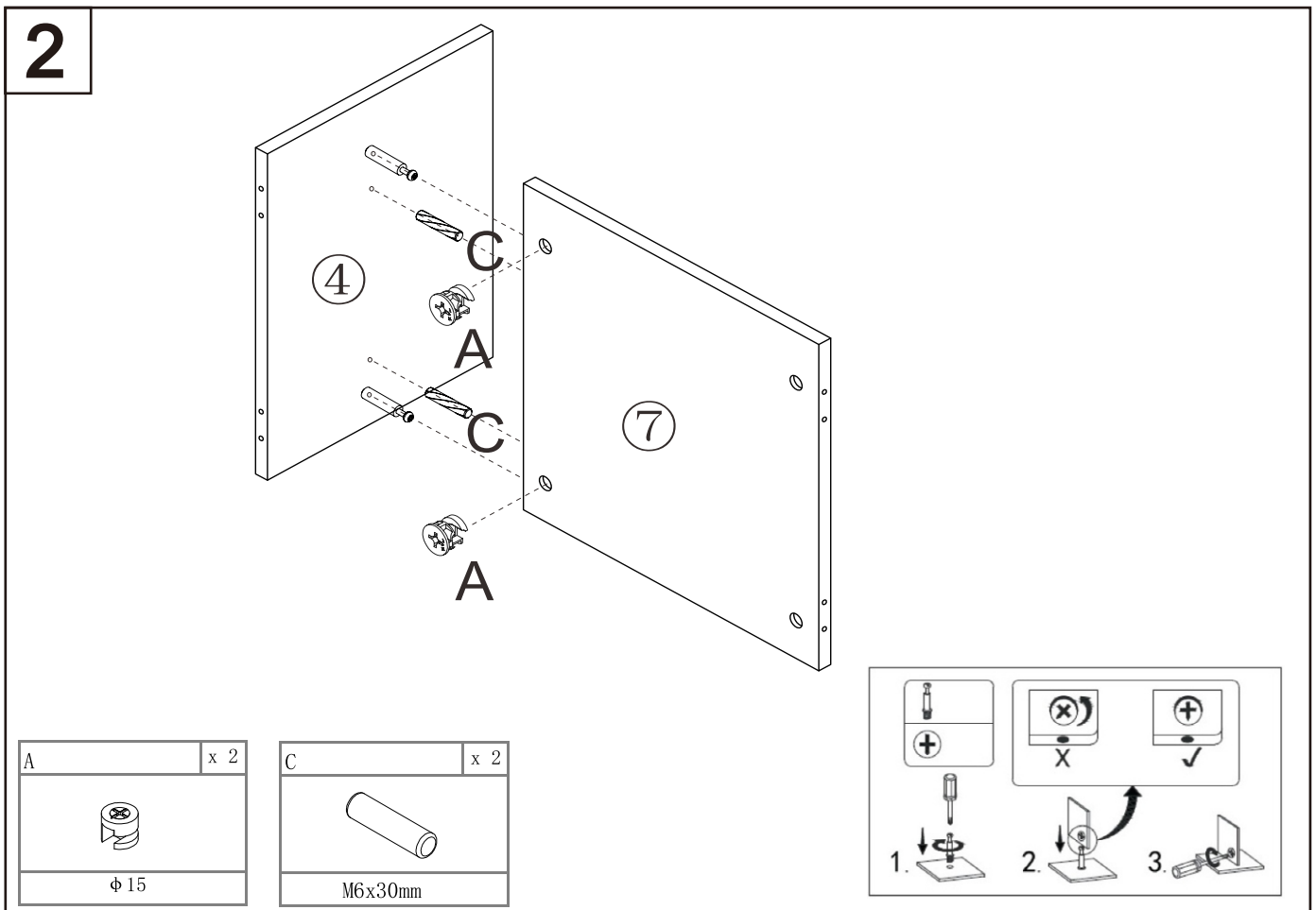
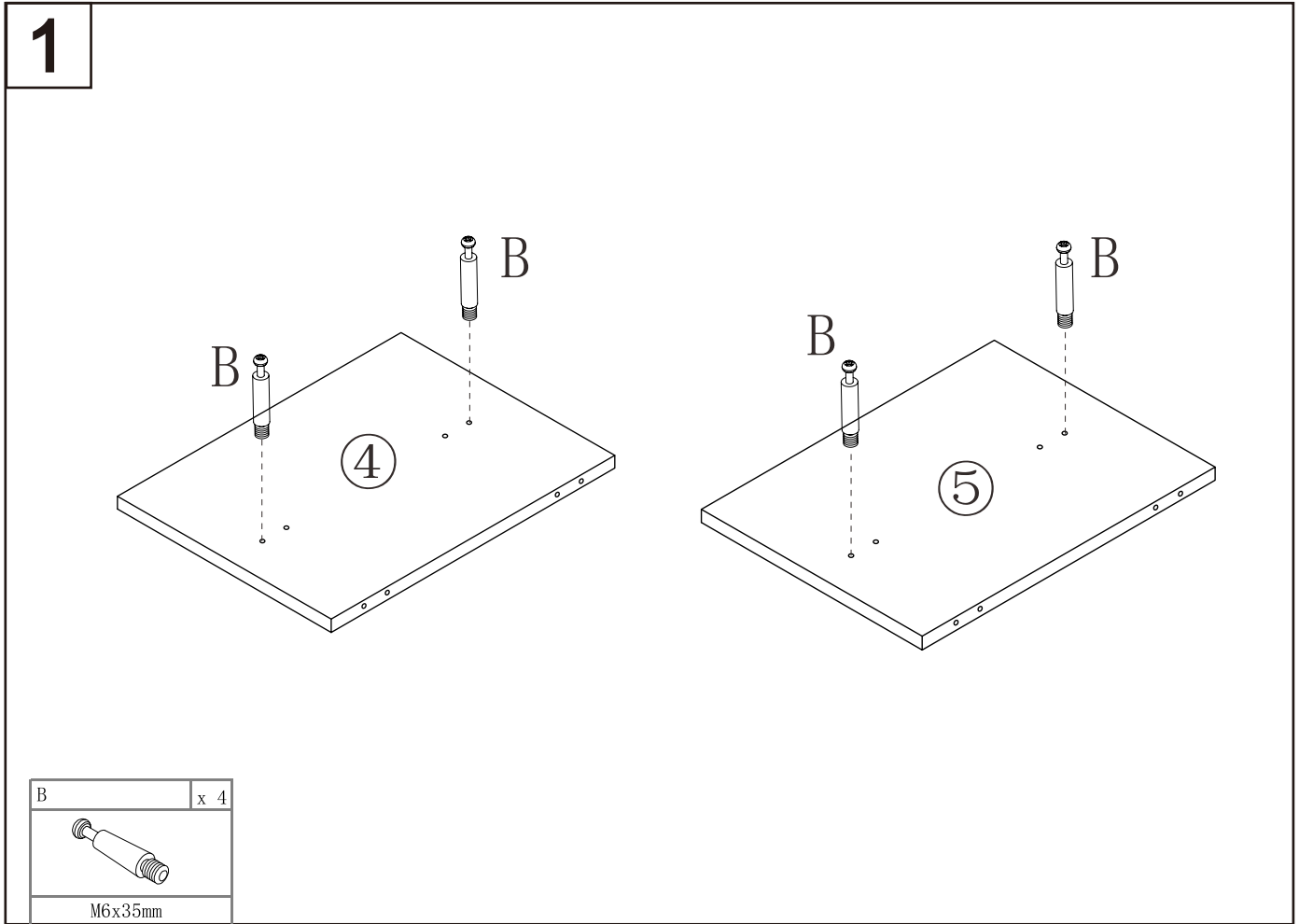
TOOLS:

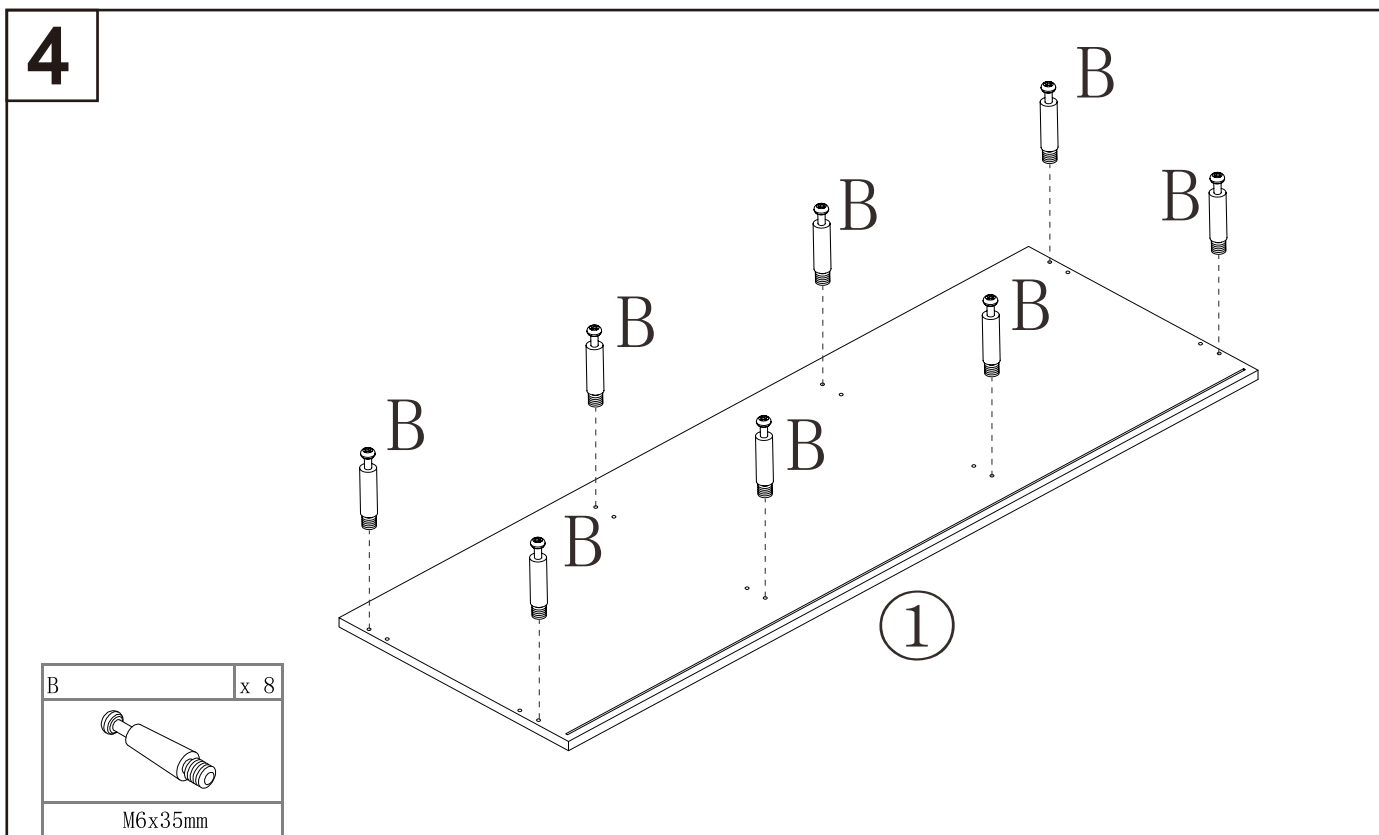
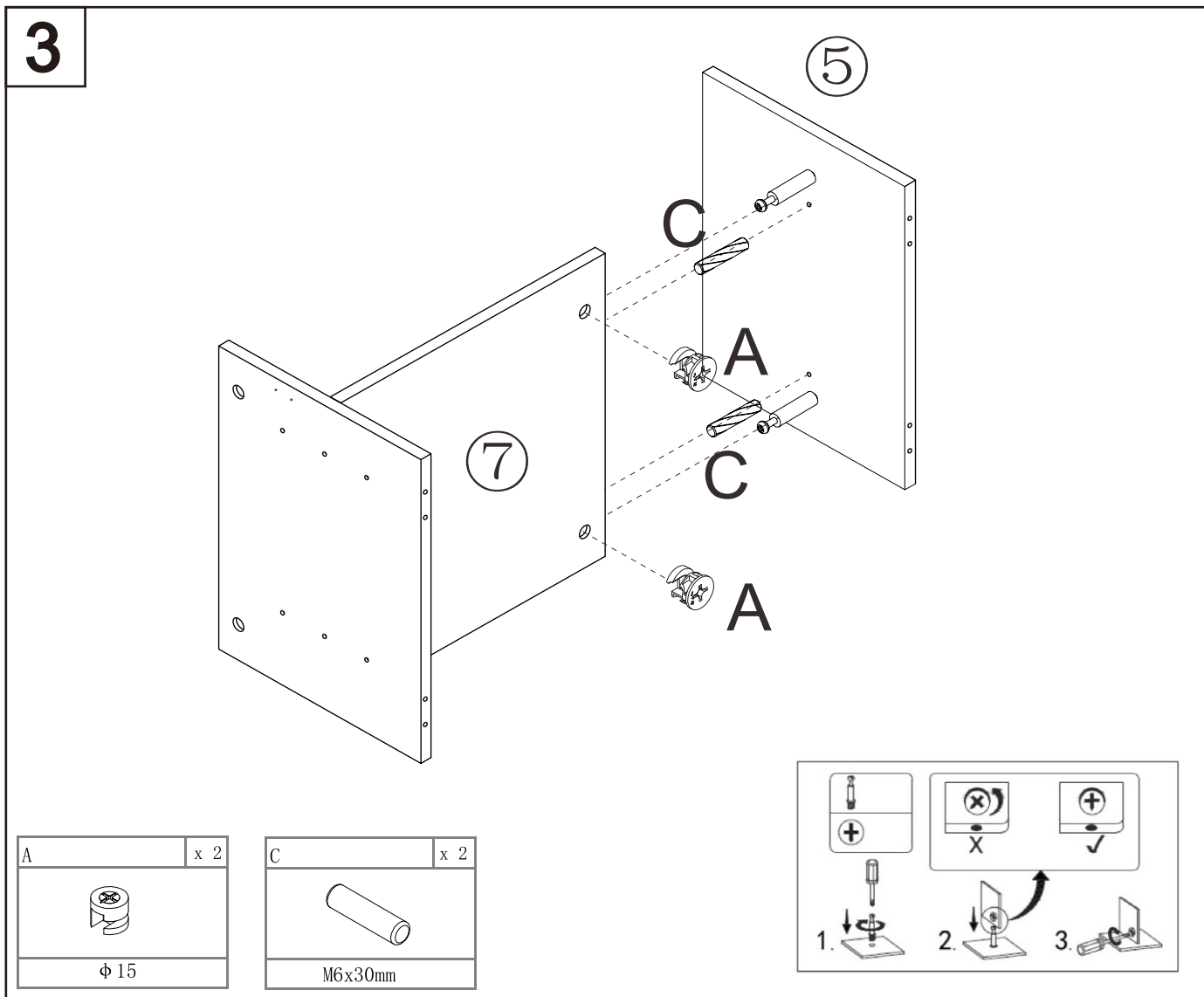


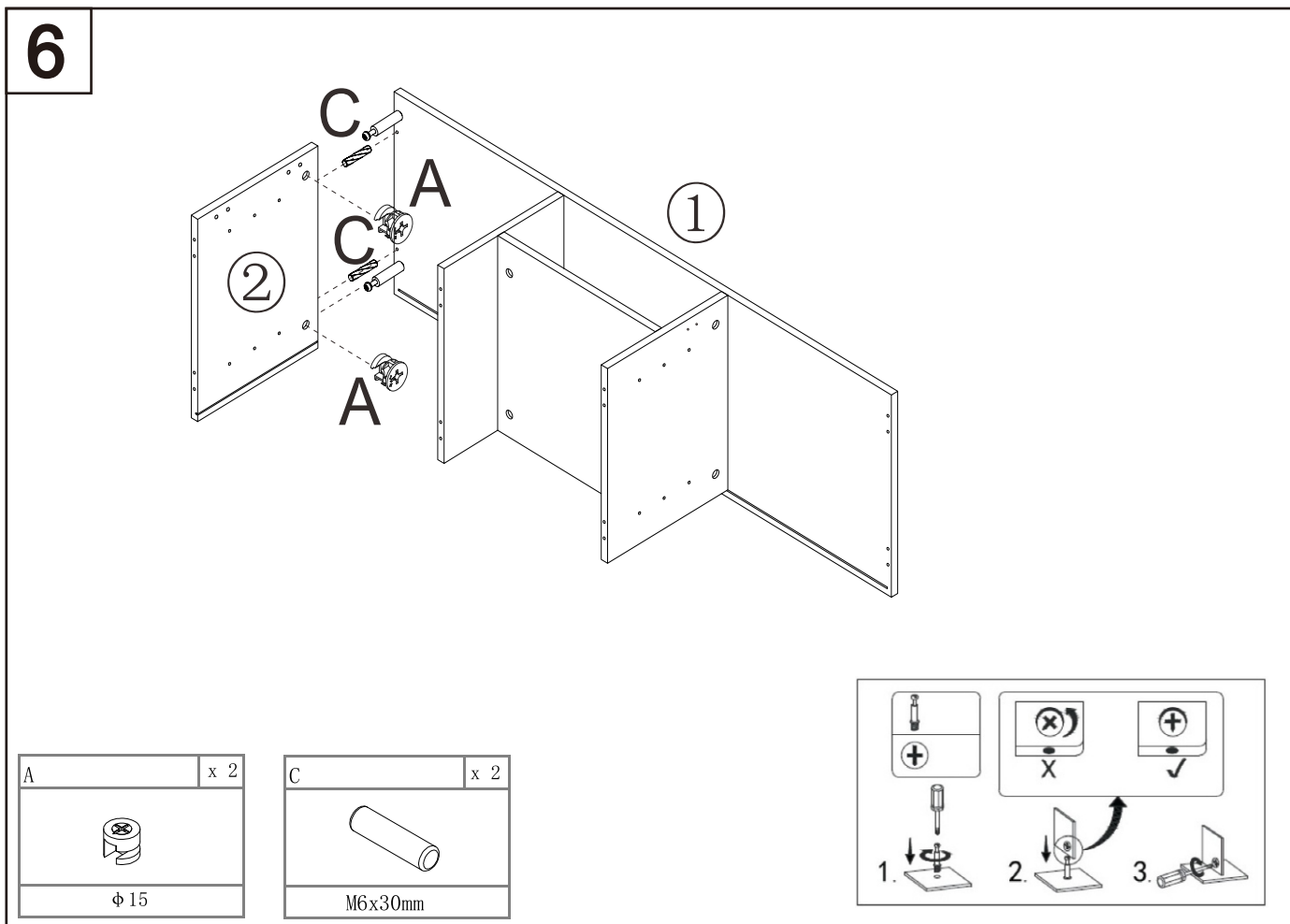
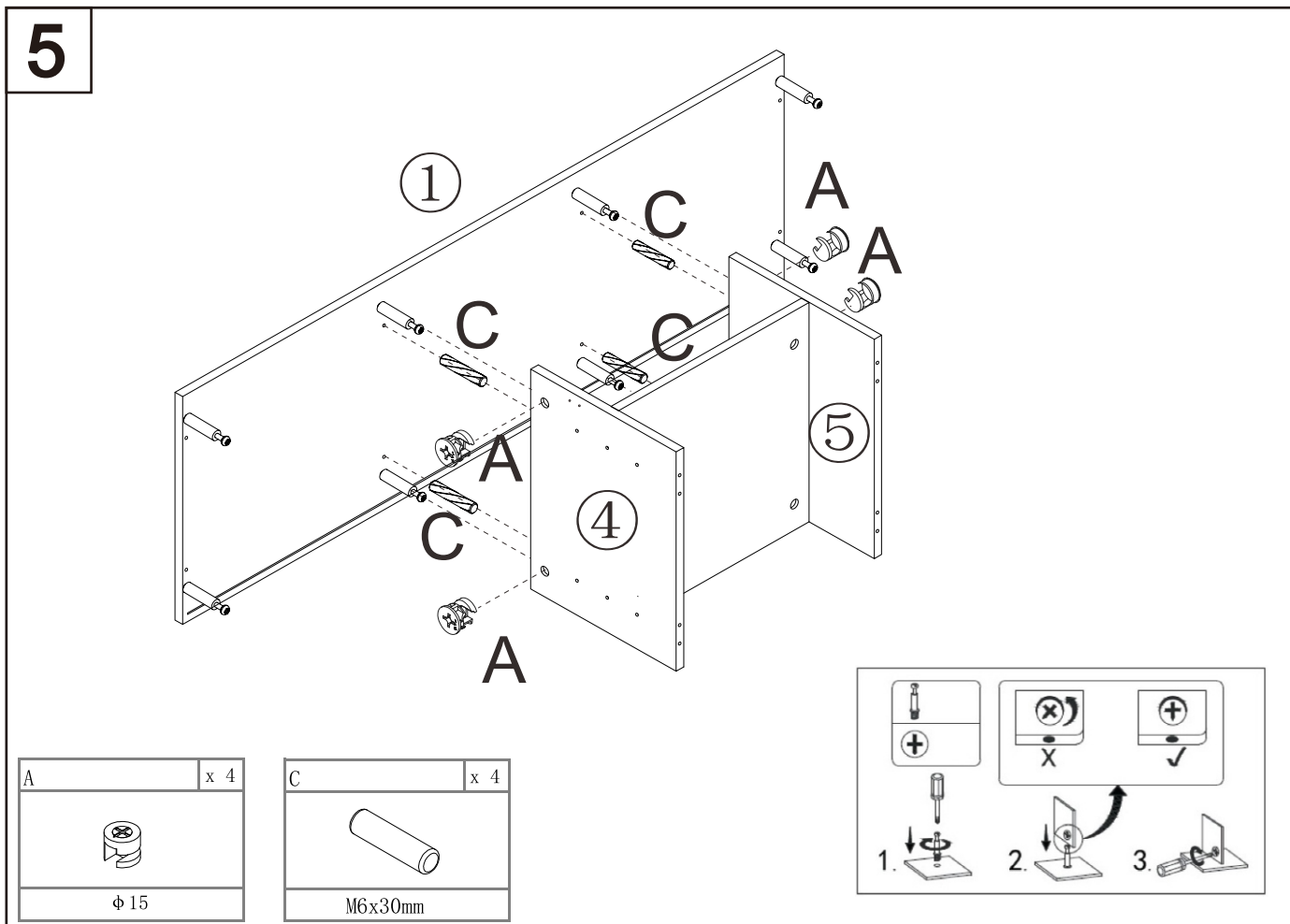
NUMBER OF PERSONS: 02

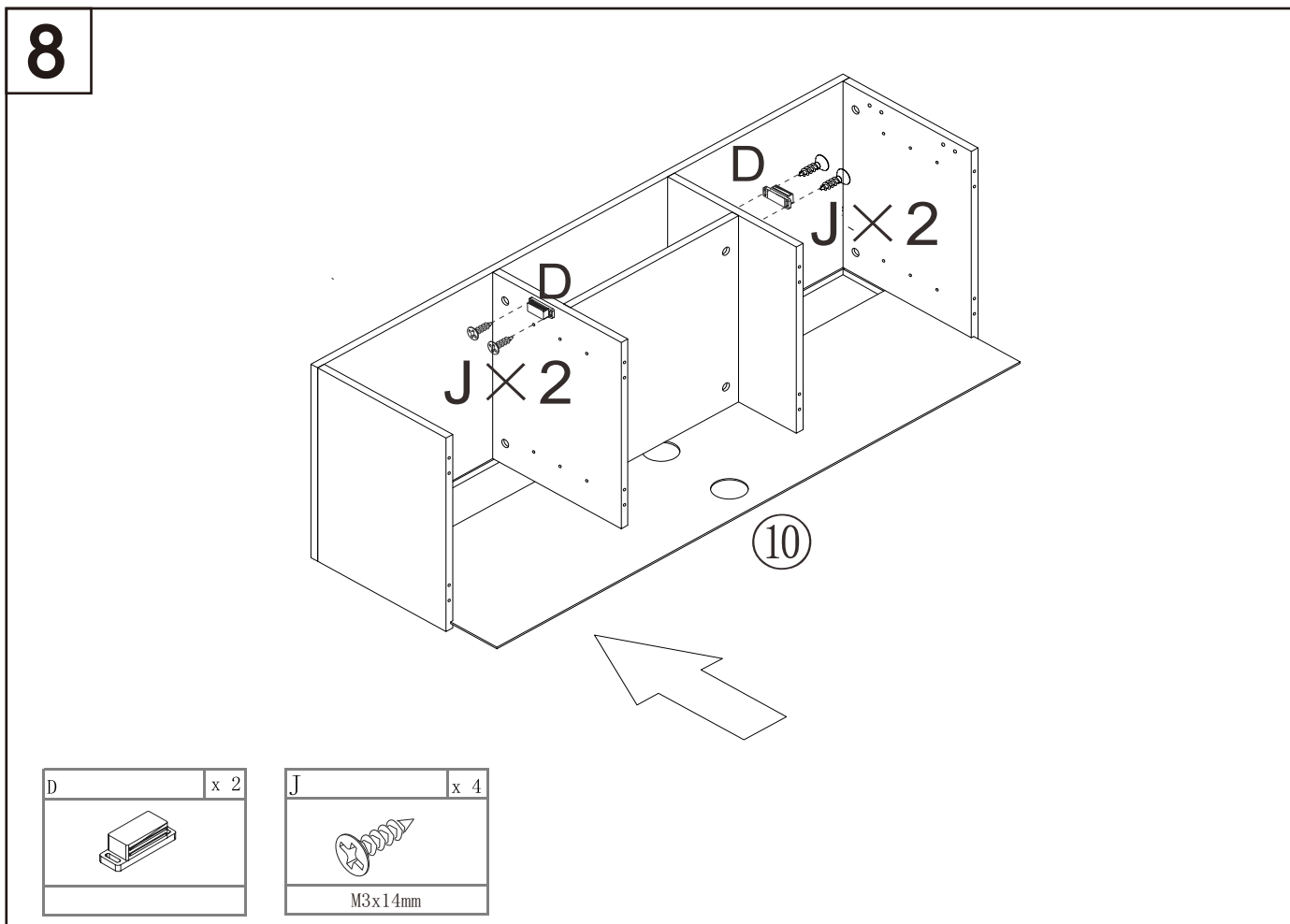
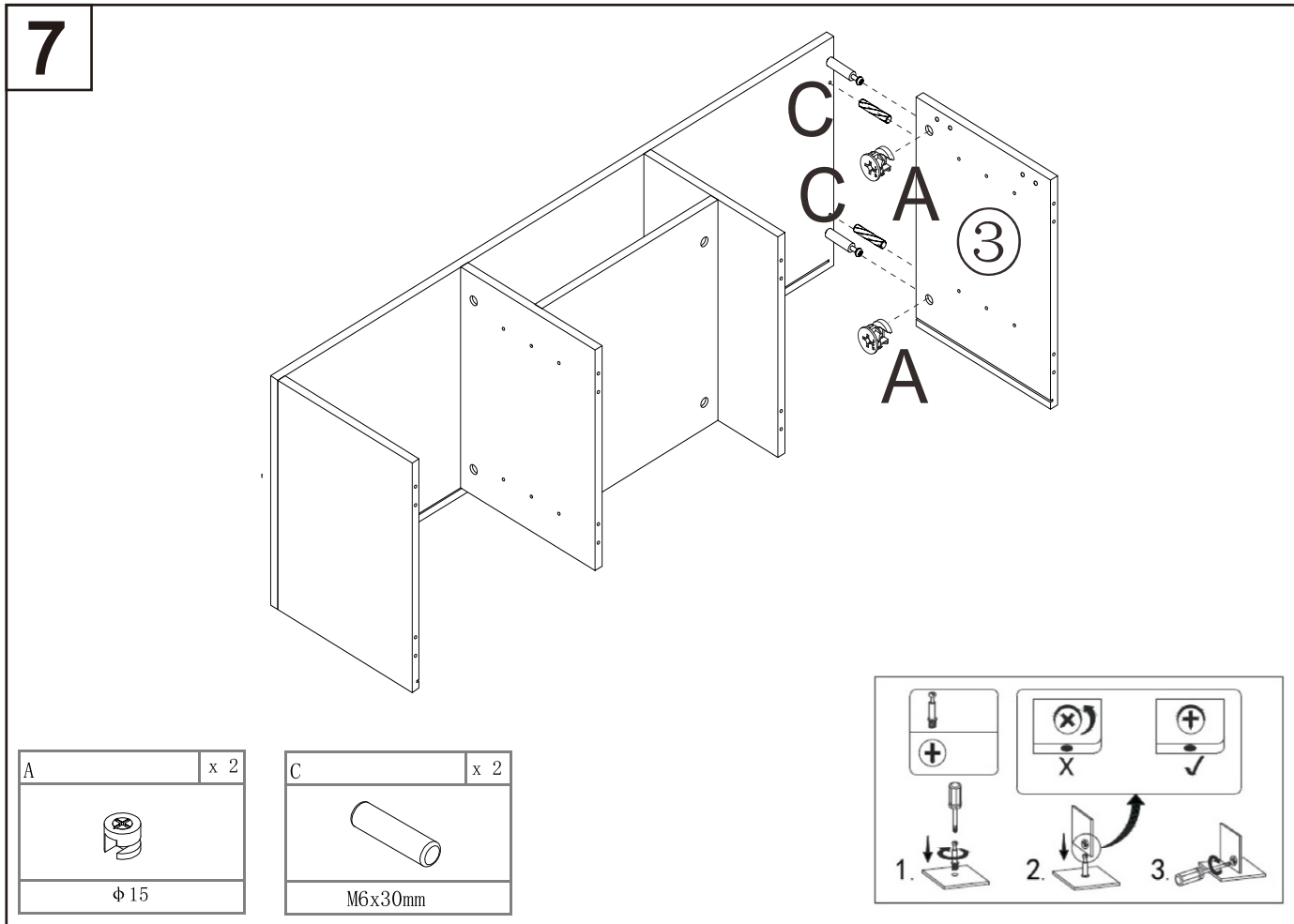


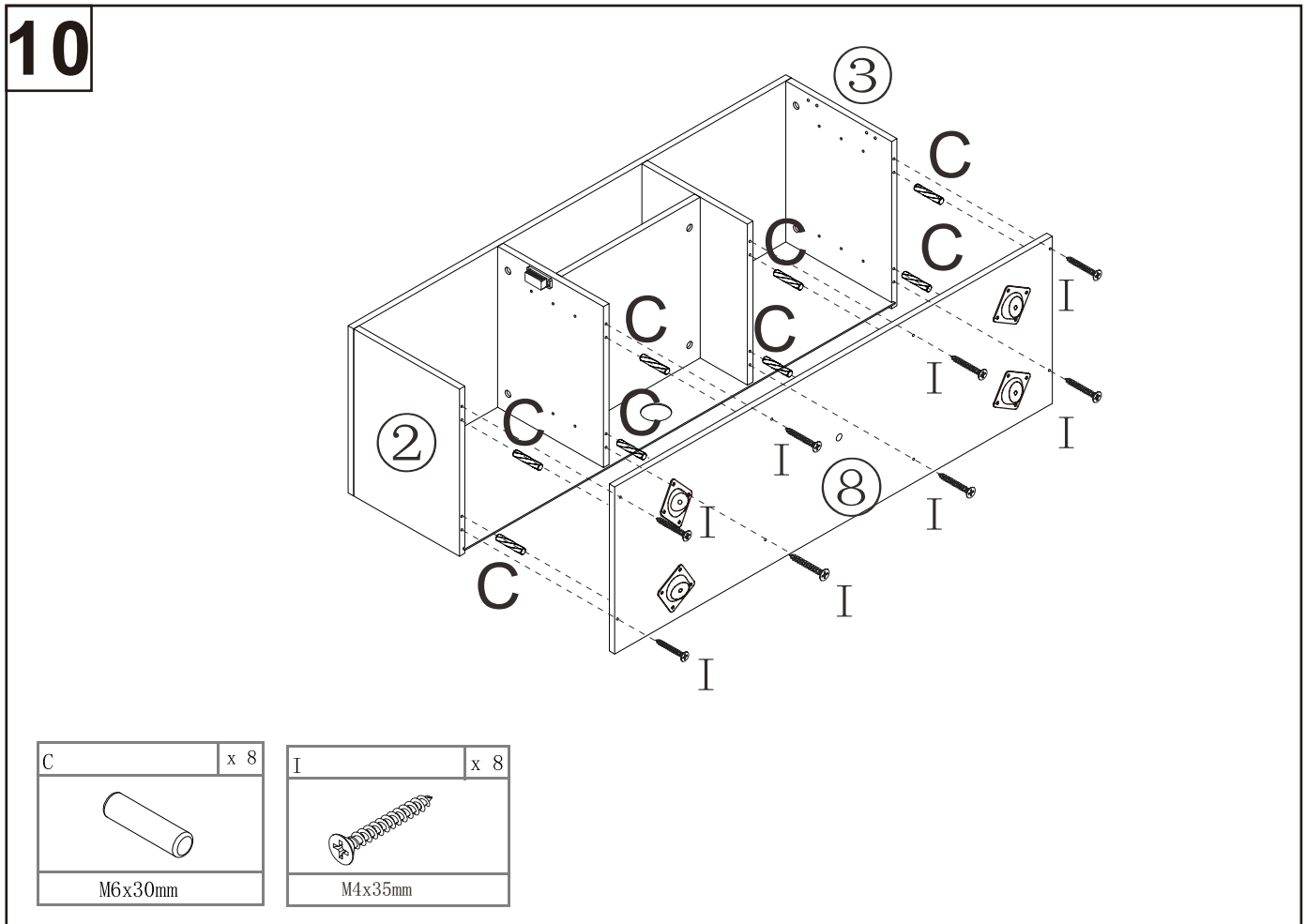
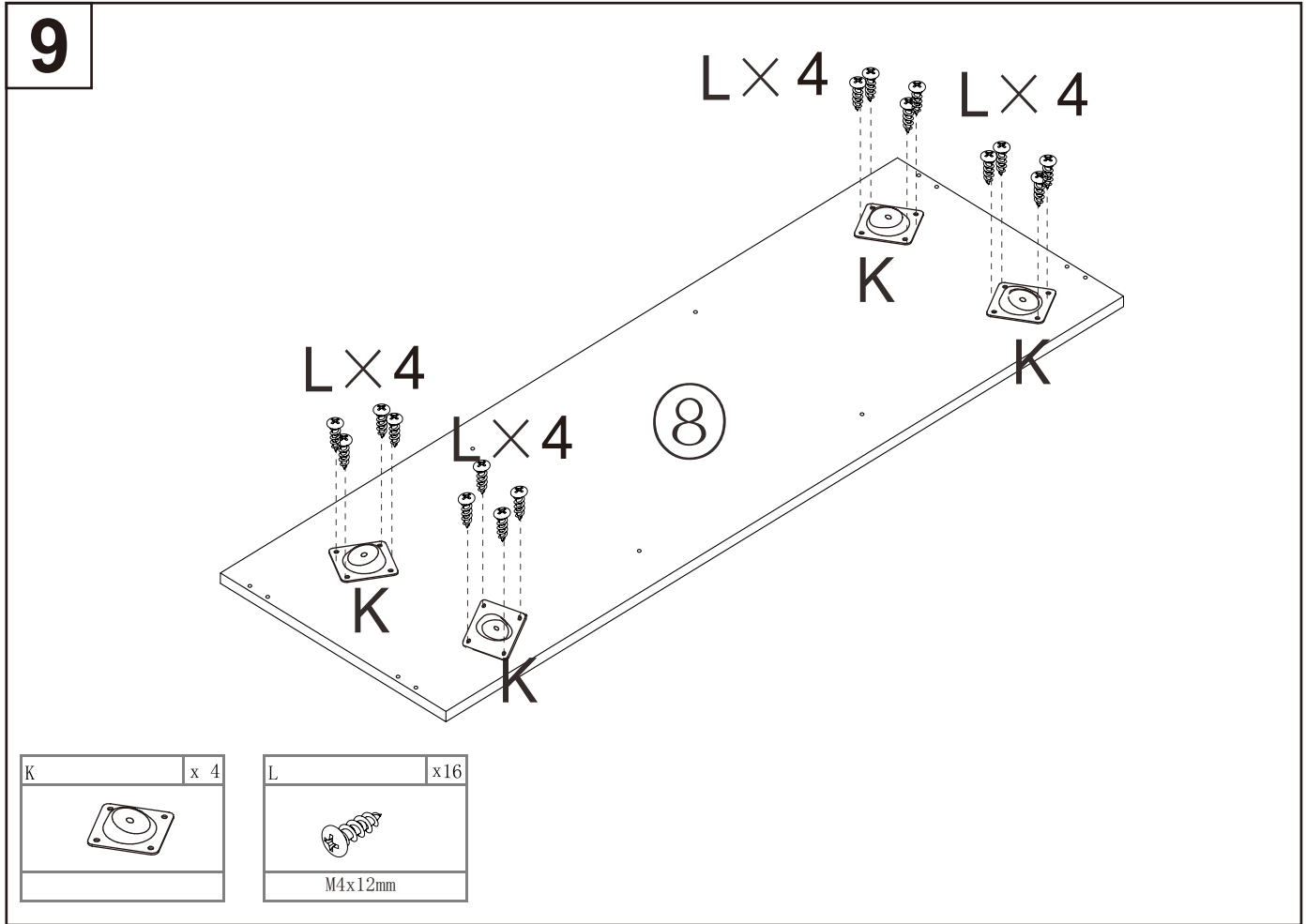
A SOFT CLOTH IS SUITABLE FOR PRODUCT CARE.



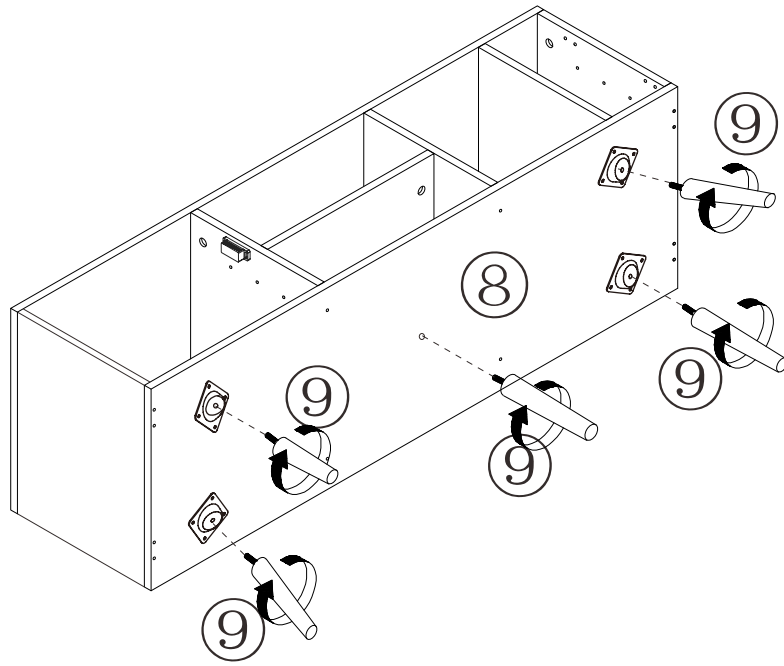




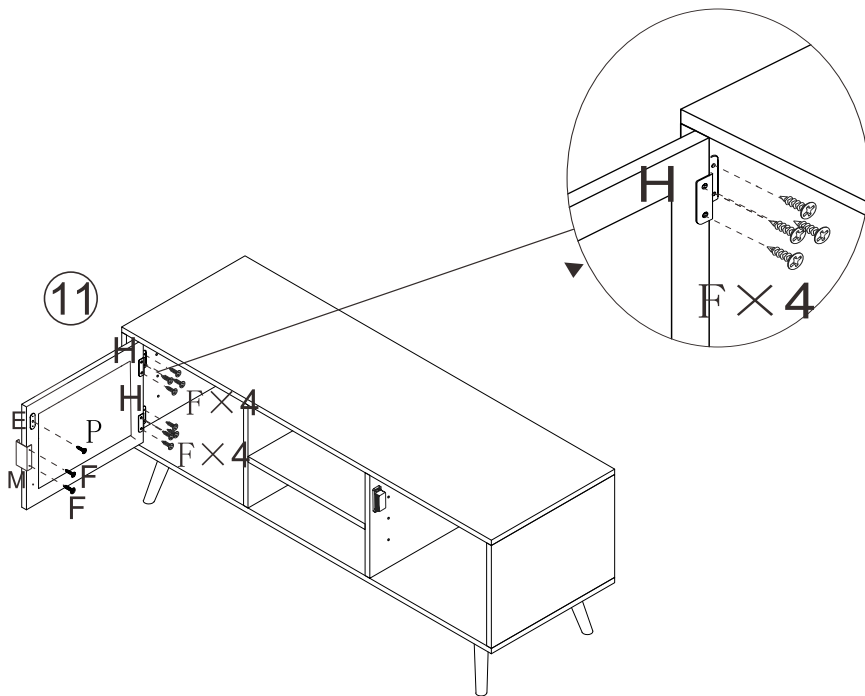






11




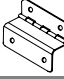
12




E	x 1
	

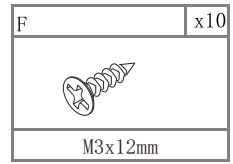
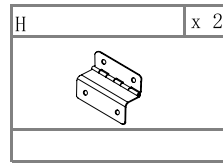
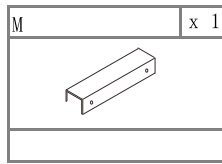
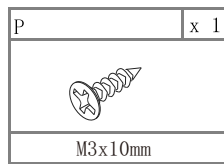
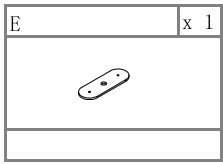
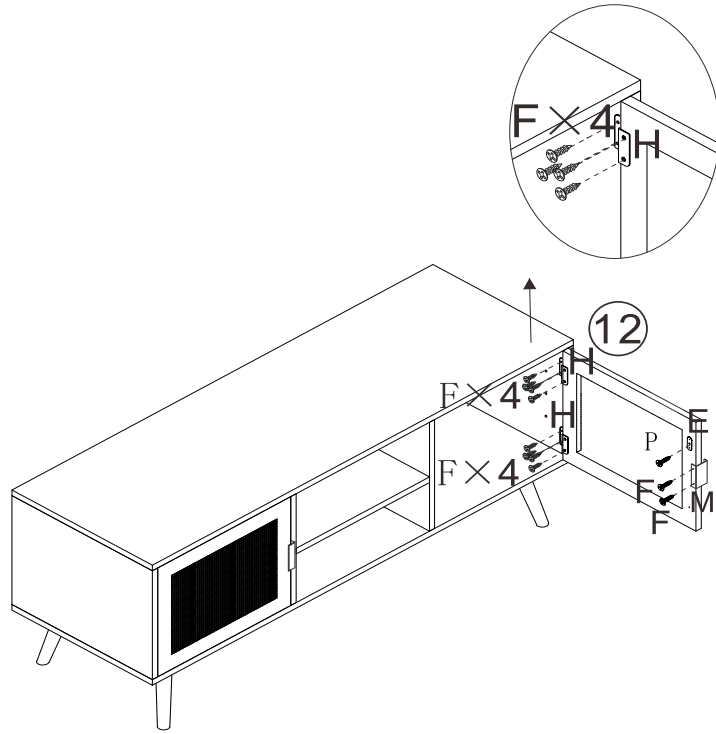
P	x 1
	
M3x10mm	

M	x 1
	

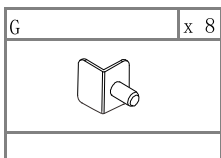
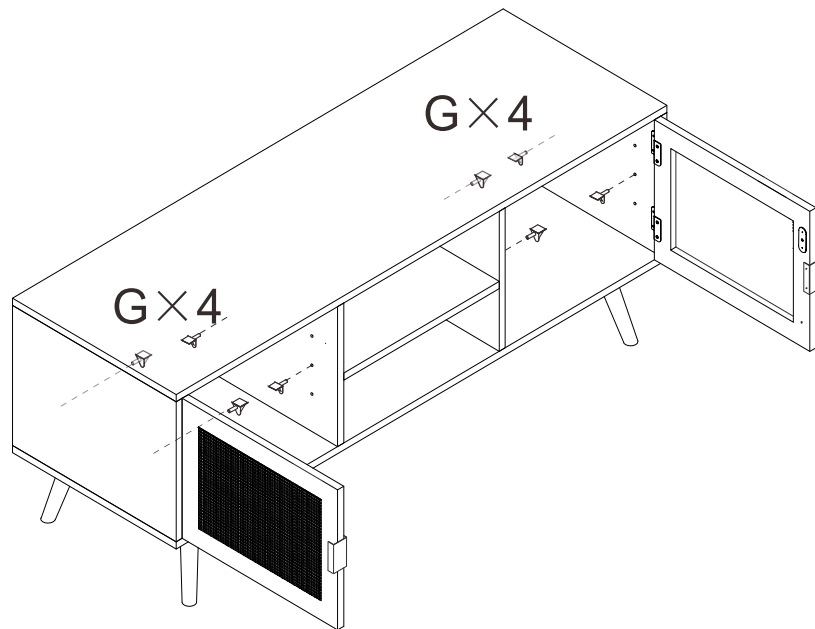
H	x 2
	

F	x 10
	
M3x12mm	

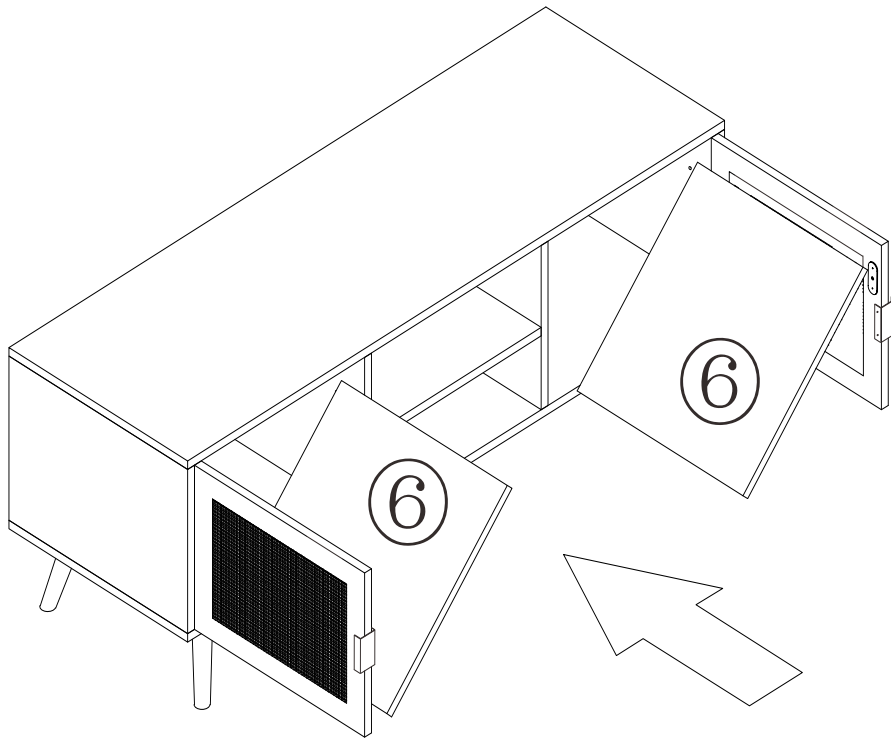
13



14



15



16

