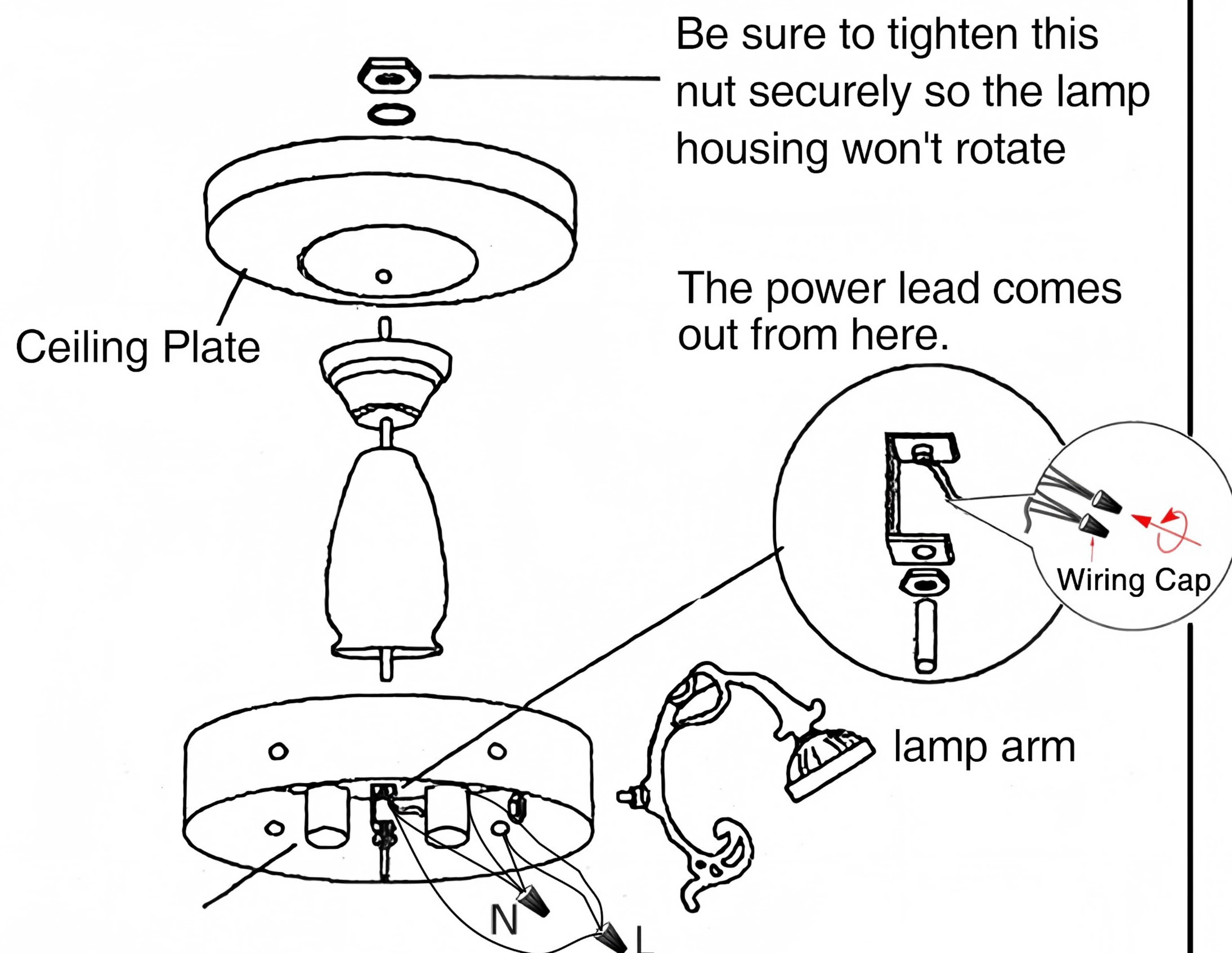
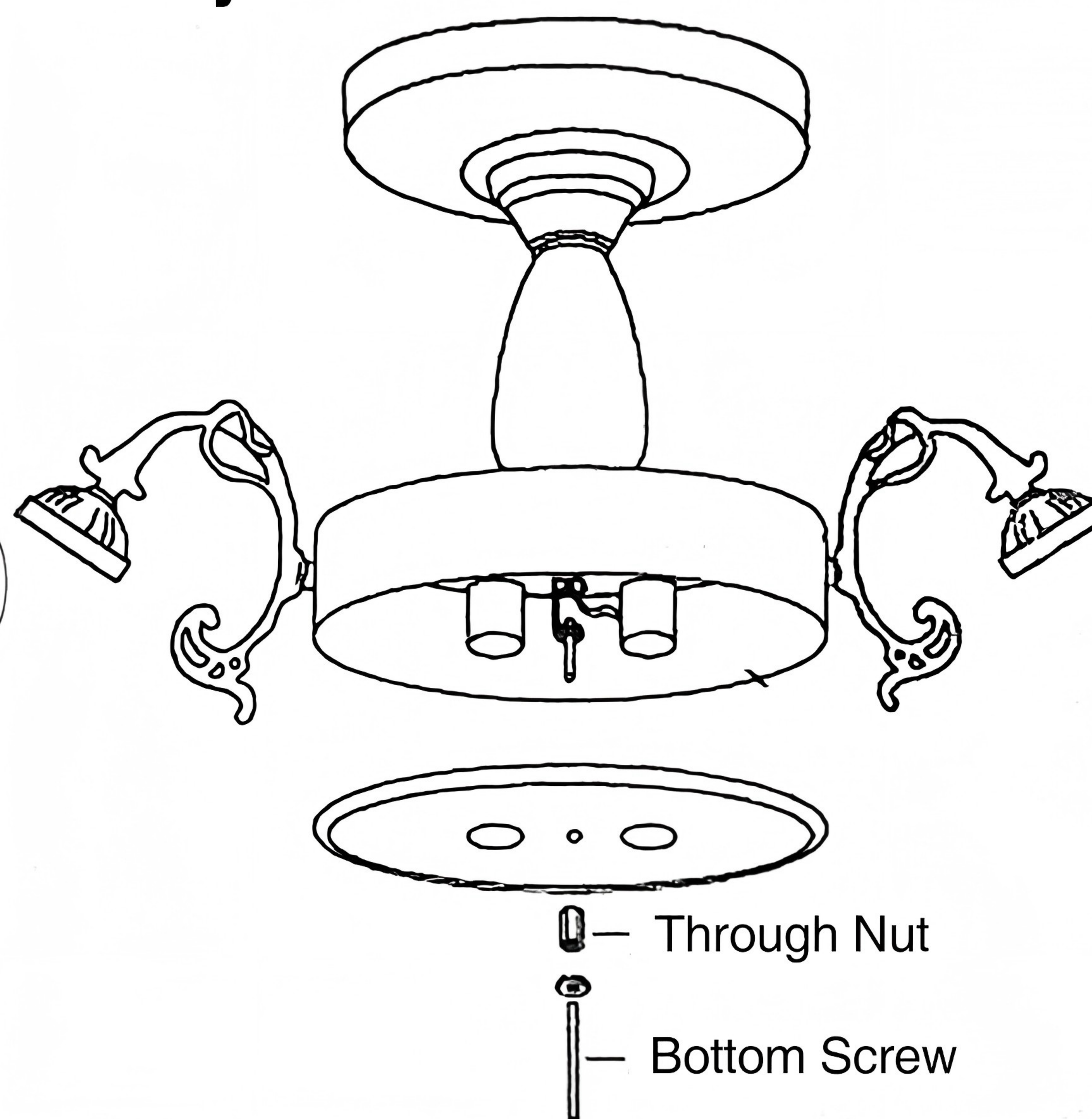


## 1. Product Detailed Illustration

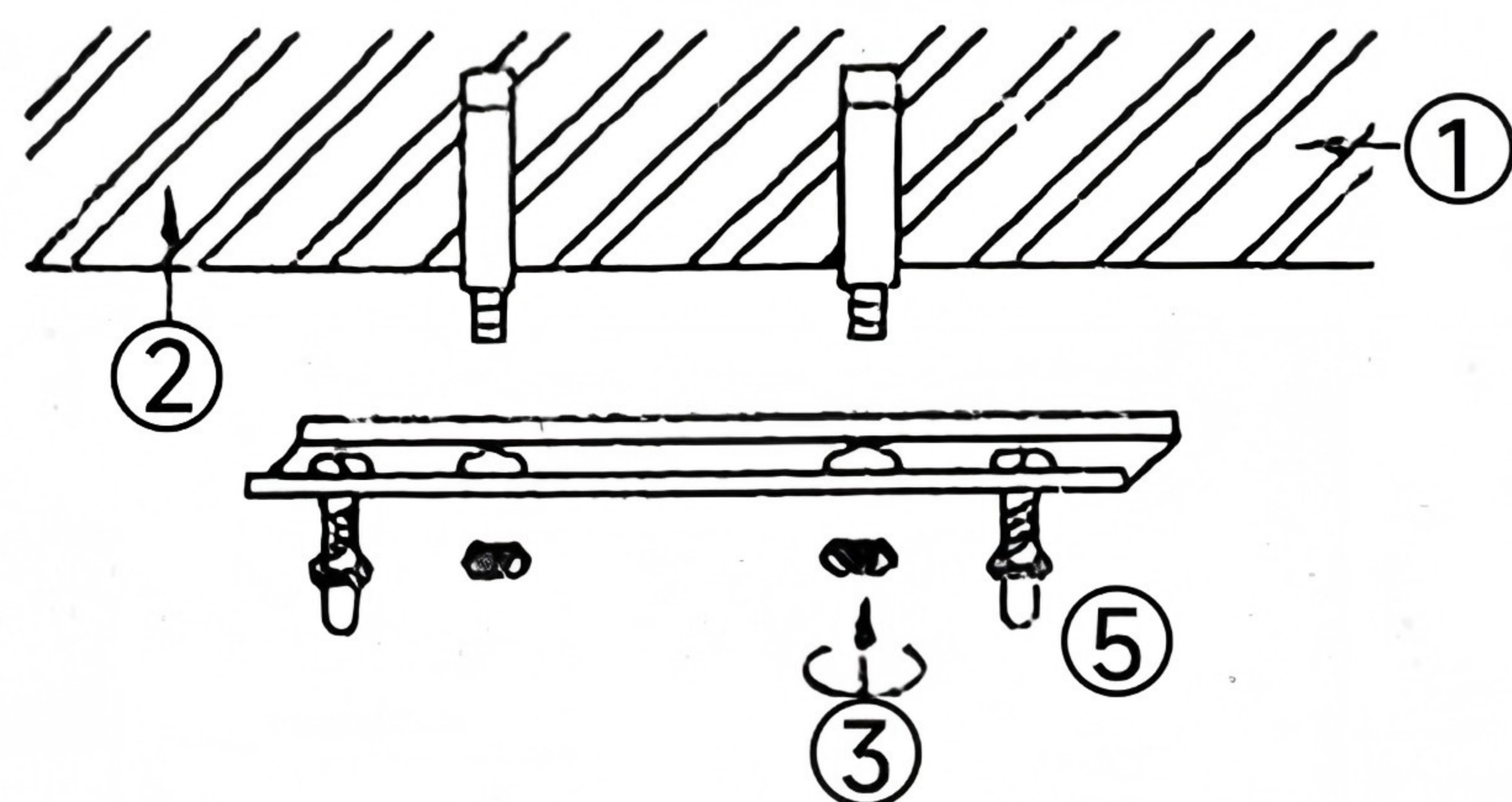


6+2 Internal Structure Illustration

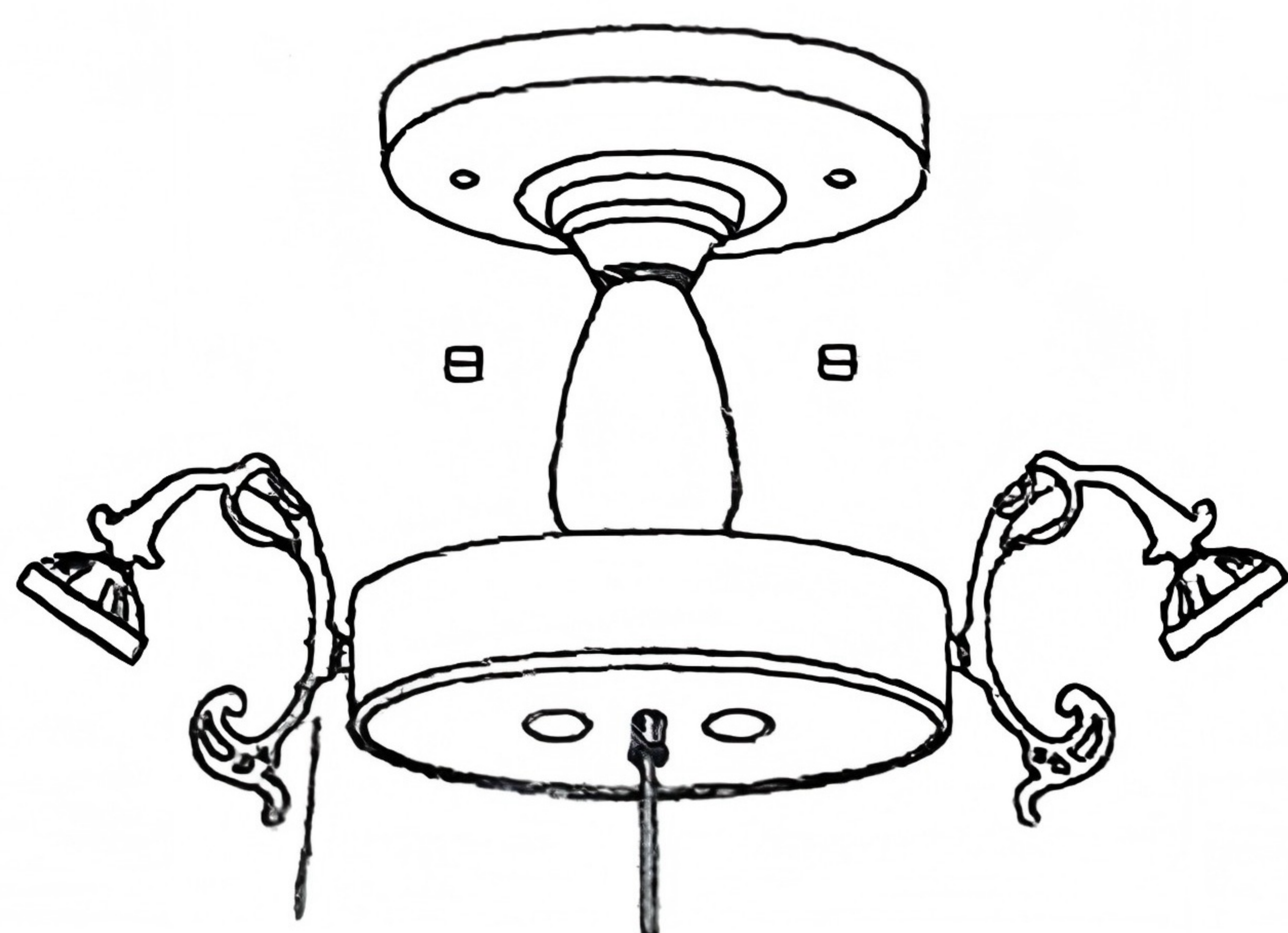
## 2. Connect the wiring and install the lamp body.



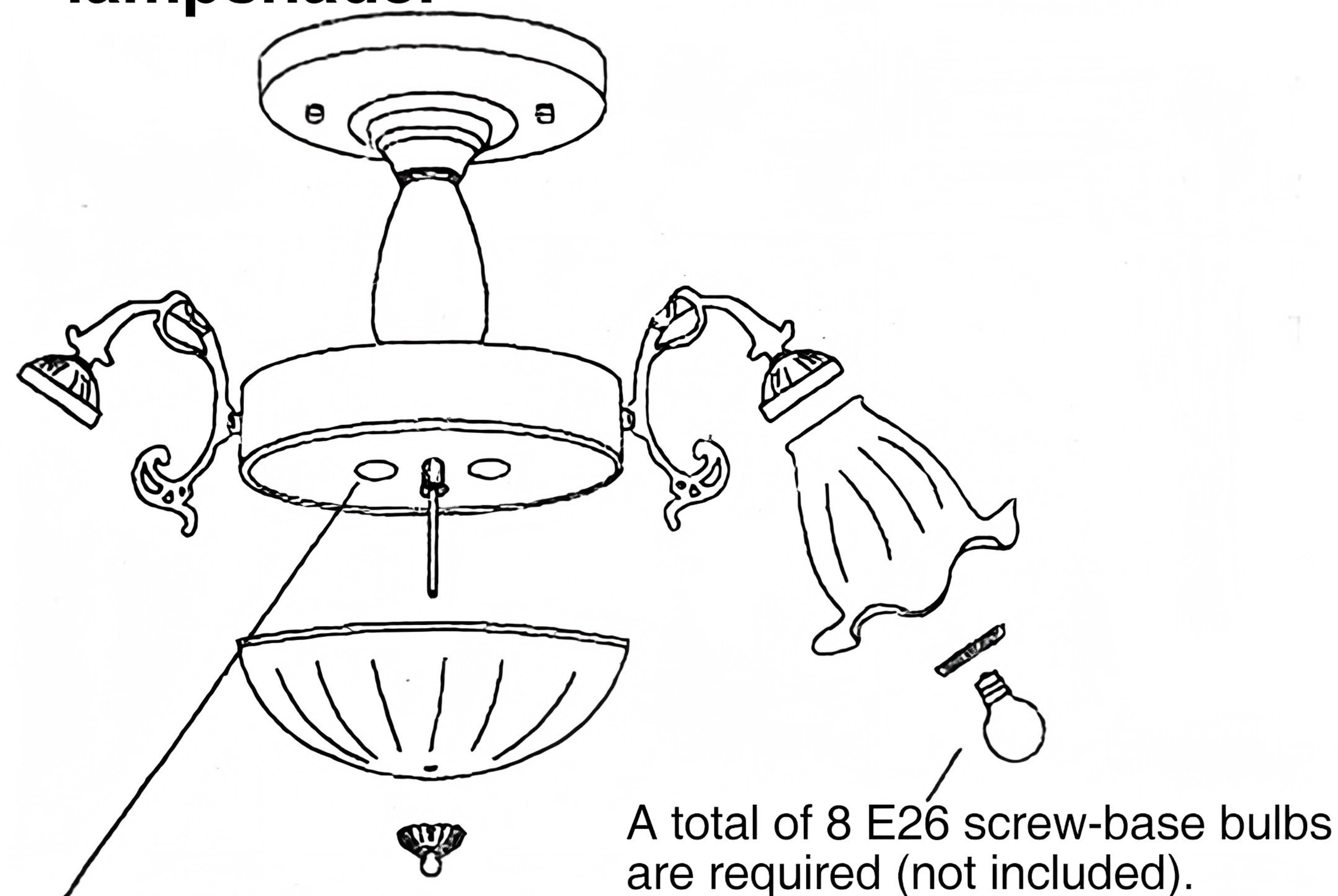
## 3. Consult the electrician and purchase expansion screws or self-tapping screws yourself according to the ceiling conditions.



- ① Mark two drilling positions on the cement ceiling (as shown in the figure).
- ② Drill the holes in the cement ceiling according to the size of the expansion screws, then hammer the expansion screws into the holes in the ceiling, leaving approximately 0.4 inches of thread protruding outside (as shown in the figure).
- ③ Remove the nuts, snap the combination bracket onto the expansion screw, and secure it with the nuts. Ensure the connection between the combination bracket and expansion screw can sufficiently support the weight of the light fixture. Position the elongated metal bracket flush against the ceiling, with the circular metal bracket below it.
- ④ If your ceiling is not made of cement but is wooden, please secure the combined bracket directly with self-tapping screws.
- ⑤ When securing the light fixture to the ceiling, always have two people perform the task: one person holds the fixture body without the glass shade, while the other connects the power cord and tightens the nuts on the ceiling mount. Only after securing the fixture should the glass shade be installed.



## 4. Install the large lampshade and the small lampshade.



The total length of the bulb here must be less than 3.54in(9cm).

## 5. Important Tips

1. Always turn off the main power supply before installing the light fixture to prevent electric shock.
2. Do not use a damp cloth to clean the fixture; wipe it with a soft, dry cloth instead.
3. All electrical connections must comply with your local electrical safety regulations. Installation and maintenance must be performed by a qualified professional.
4. Bulbs for the large glass shade should be within 1.97inches in diameter and 3.54inches in length.
5. Bulbs for the side small shades should be within 2.36inches in diameter and 4.33inches in length; shorter bulbs provide better lighting effects.
6. All the bulb sockets use E26 screw base. Each bulb should not exceed 40W; do not install high-wattage bulbs.
7. The lampshades are made of glass. Avoid over-tightening to prevent cracking or breakage.