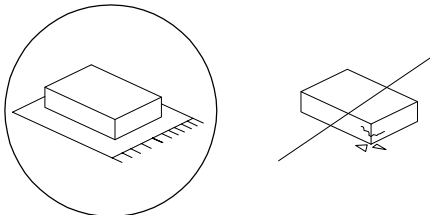
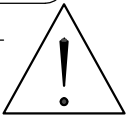

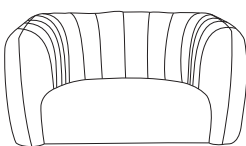


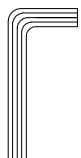
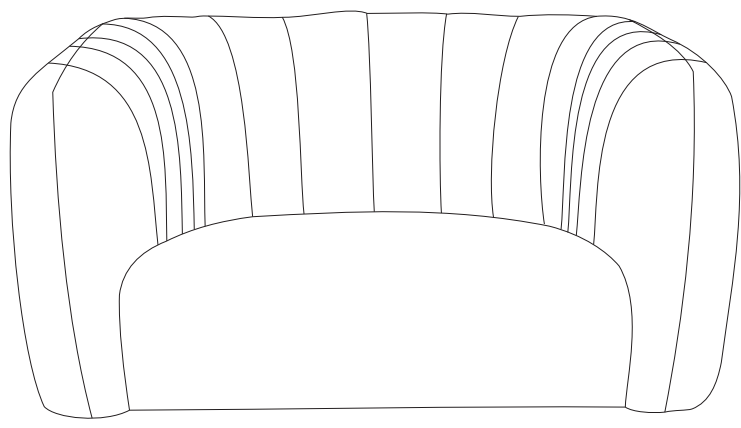
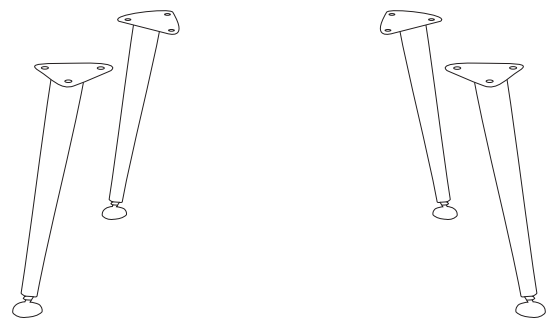

		10'
		
		1

<p>A</p>  <p>x 1</p>	<p>B</p>  <p>x 4</p>	<p>C</p>  <p>M8 x 25</p> <p>x 12</p>	<p>D</p>  <p>x 1</p>
---	---	---	---

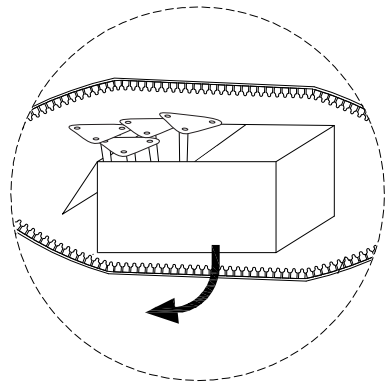
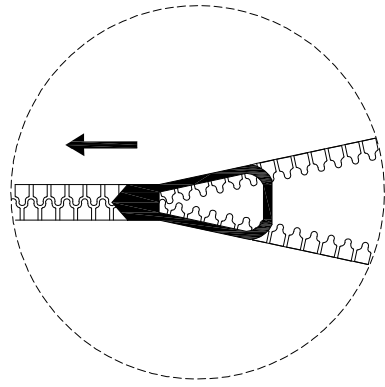
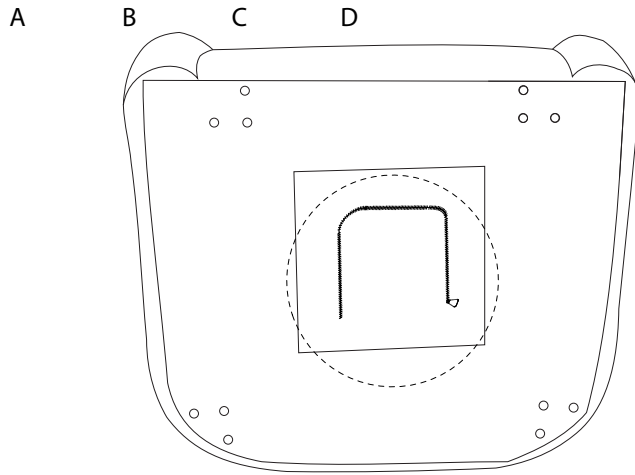
A



B x 4



!



1

