

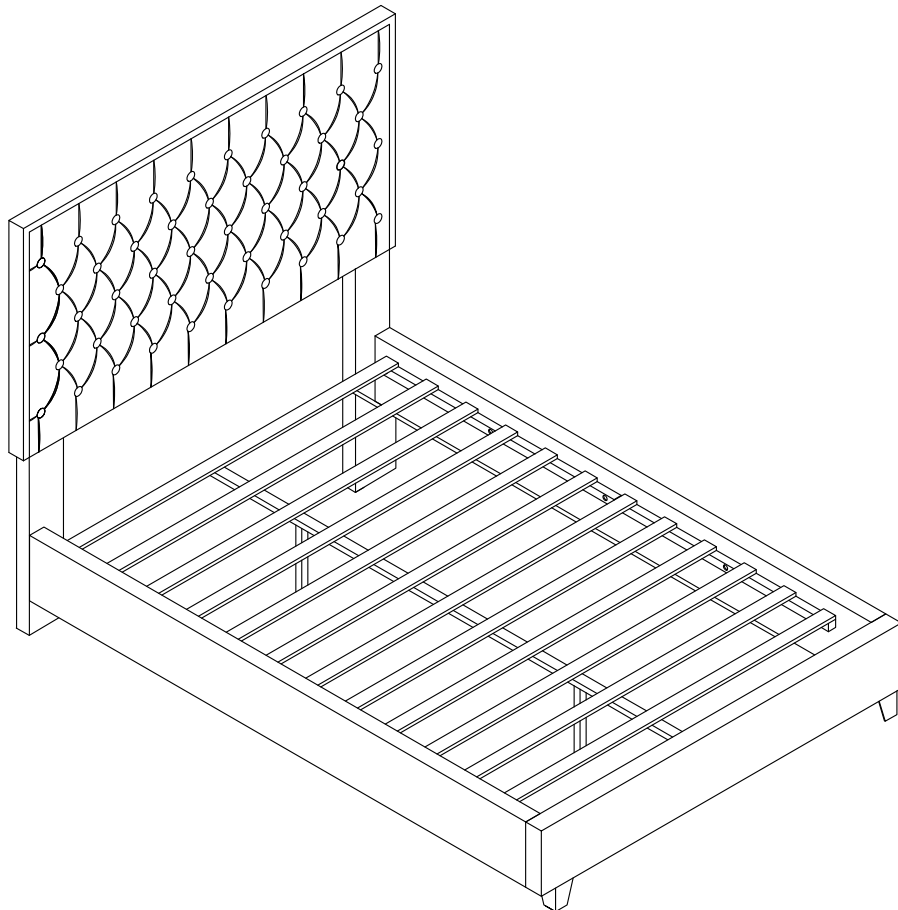
ASSEMBLY INSTRUCTION

ITEM NO : LT 772/779-QUEEN

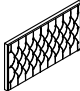
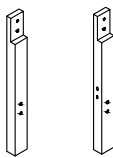
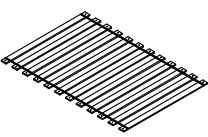
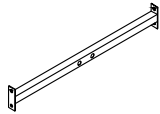
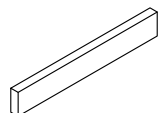





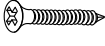

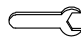
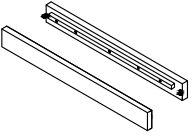
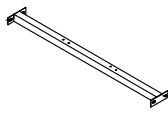

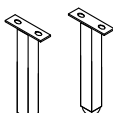
IMPORTANT: PLACE ALL PARTS ON A CLEAN AND SMOOTH SURFACE SUCH AS A RUG OR CARPET TO AVOID THE PARTS FROM BEING SCRATCHED

KINDLY FOLLOW THE ASSEMBLY INSTRUCTIONS STEP

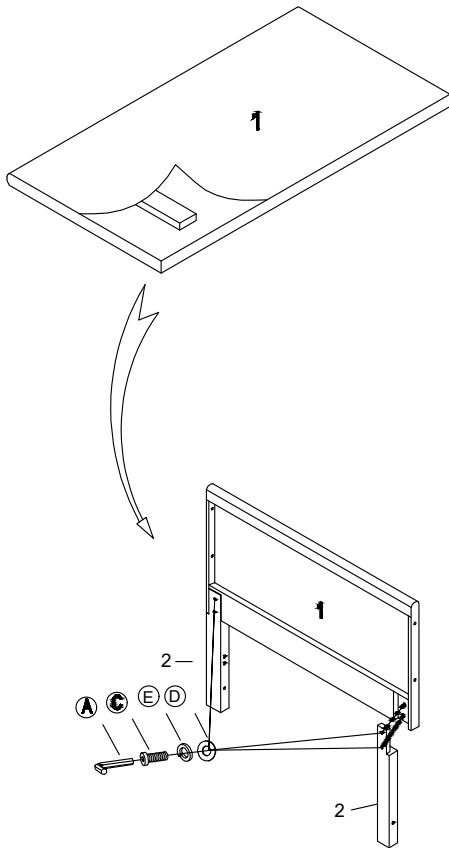
DO NOT TIGHTEN ALL SCREWS UNTIL THE BED IS FULLY SET-UP



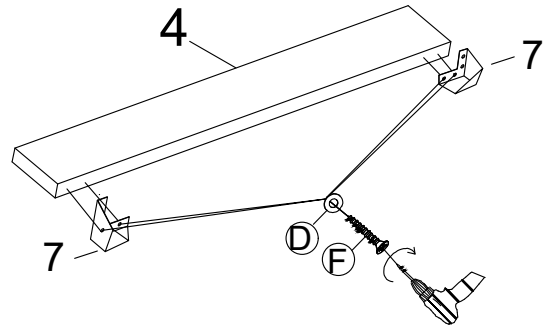
Bed is packed in 2 carton

Carton	Disignation	Part	Hardware
772/779-Q-HB	1.Headboard		
	2.HB Legs		
	9.Slats(12pcs)		
772/779-Q-FB/SR	3.Crossband		
	4.Footboard		 #A x 1pc  #B x 14pcs(1-1/2")  #C x 10pcs(2")  #D x38pcs  #E x 20pcs  #F x32pcs  #G x 6pcs  #Hx 1pc
	5.Side Rail (2pcs)		
	6.Support Rail		
	7.HB FB LEG (2pcs)		
	8.Support Leg (2pcs)		

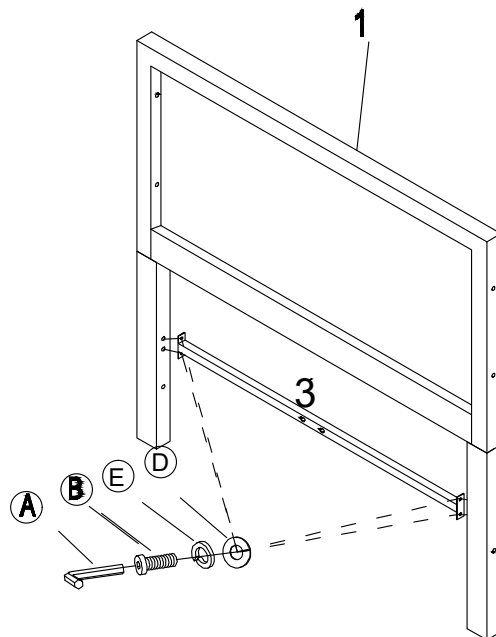
STEP 1



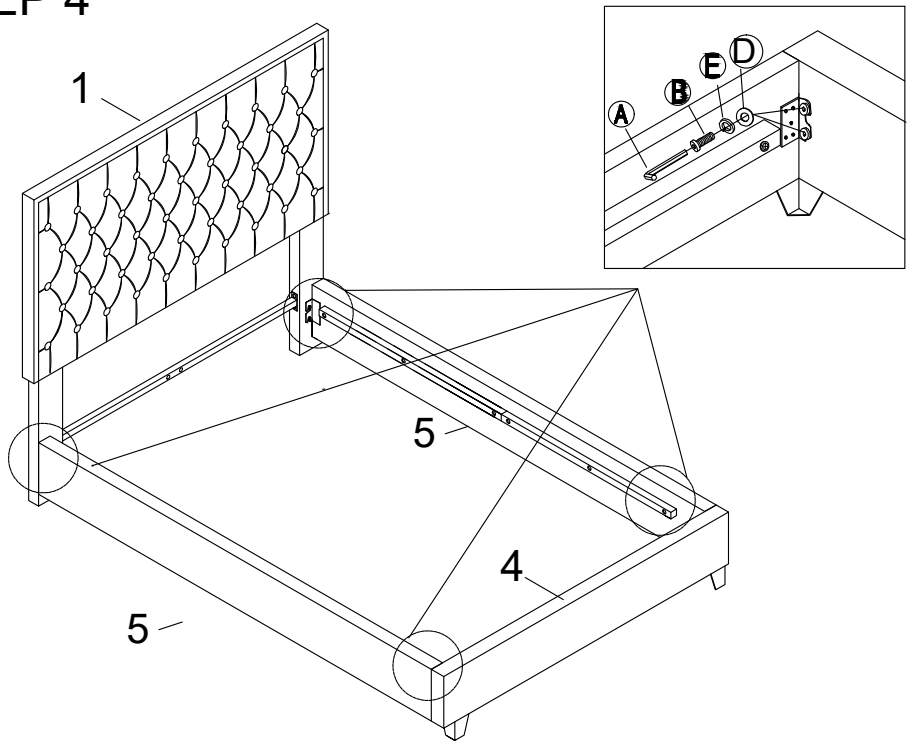
STEP 2



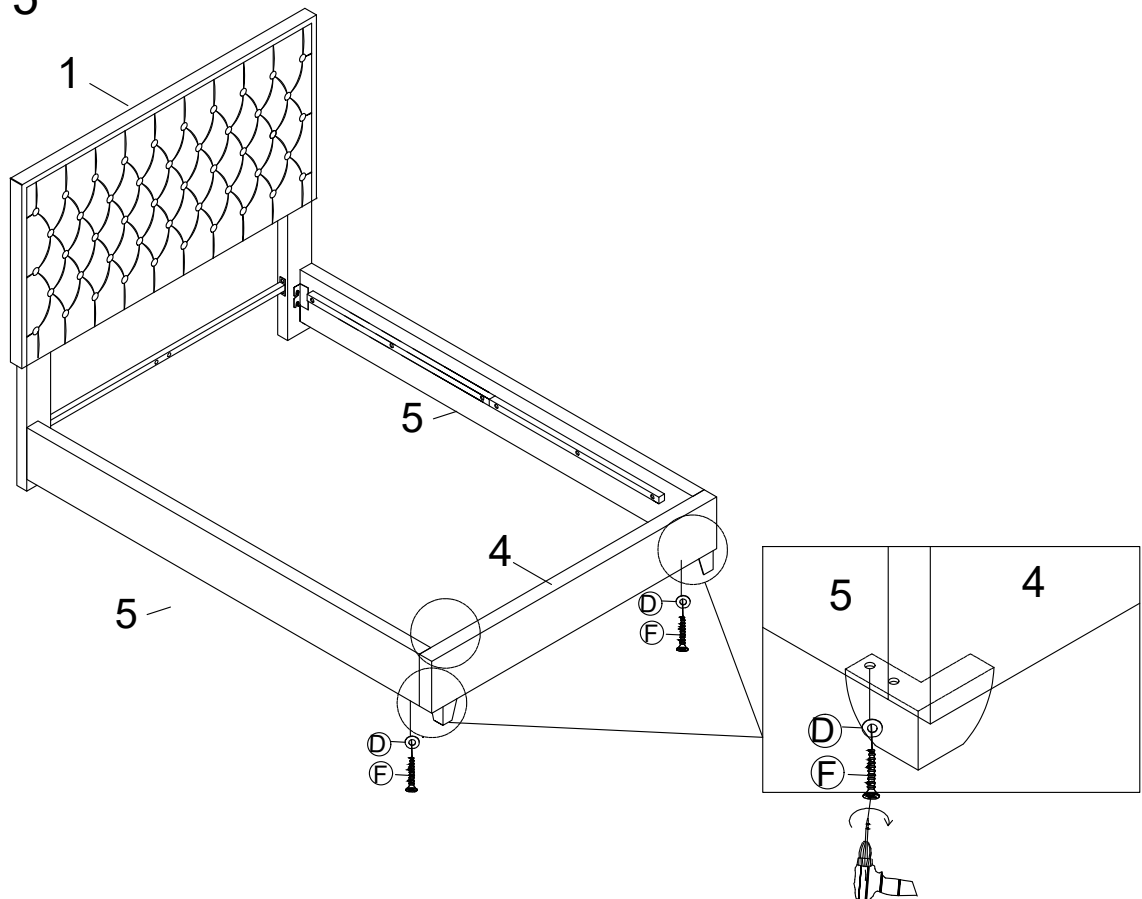
STEP 3



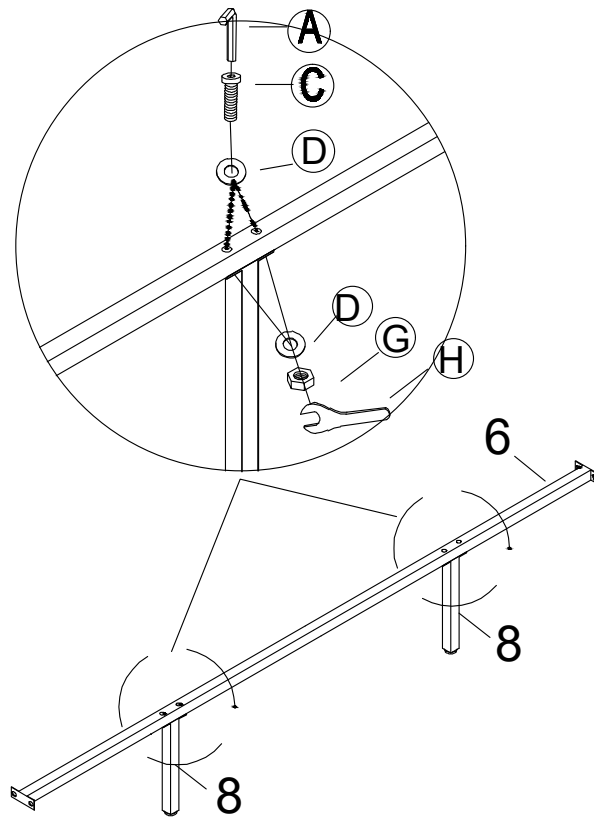
STEP 4



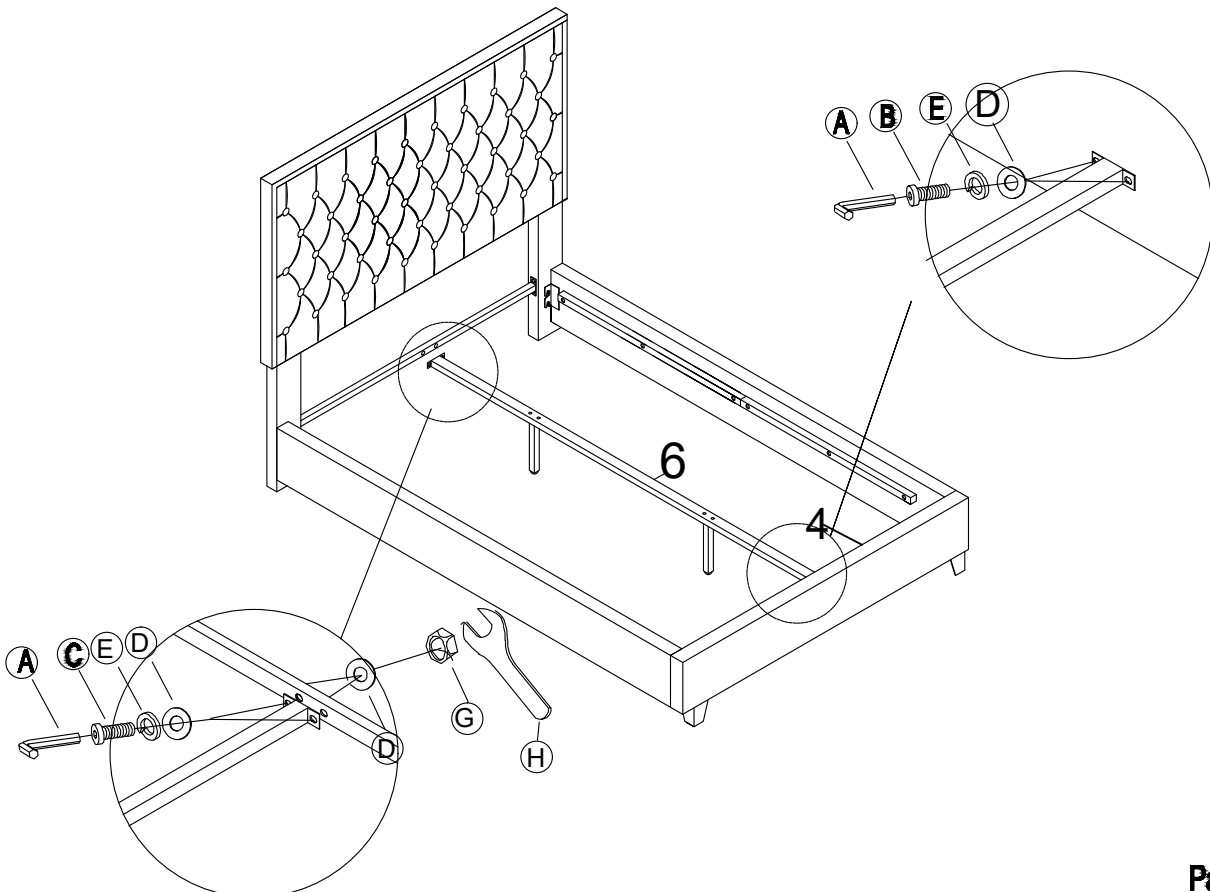
STEP 5



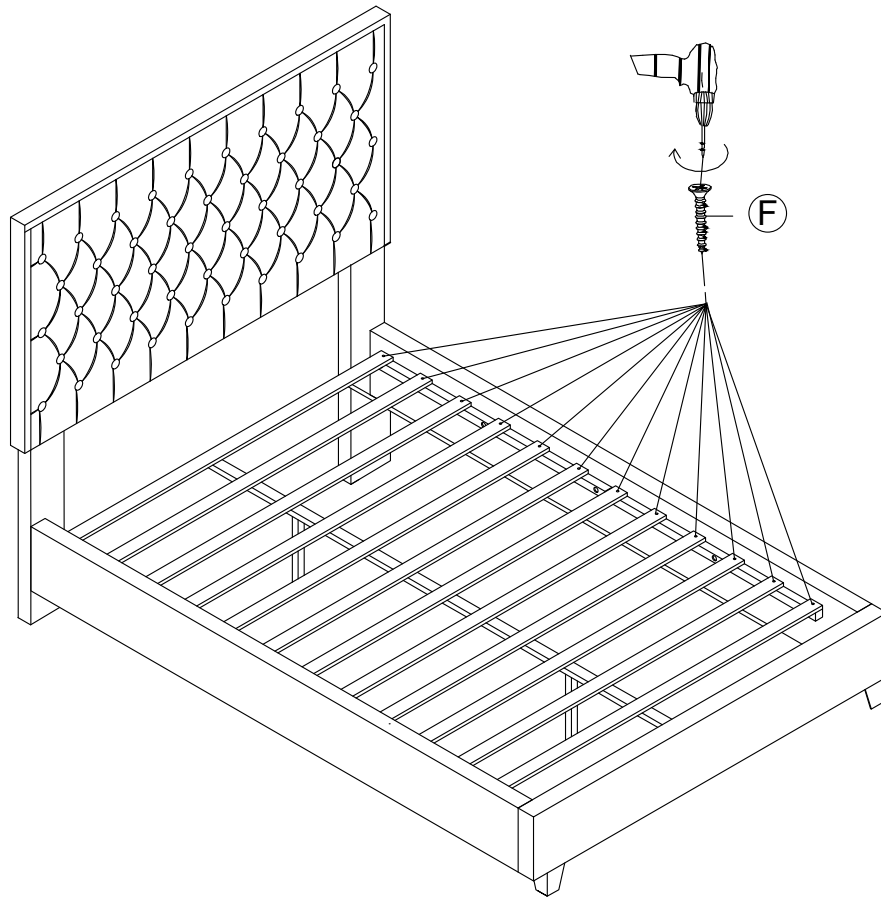
STEP 6



STEP 7



STEP 8



STEP 9

