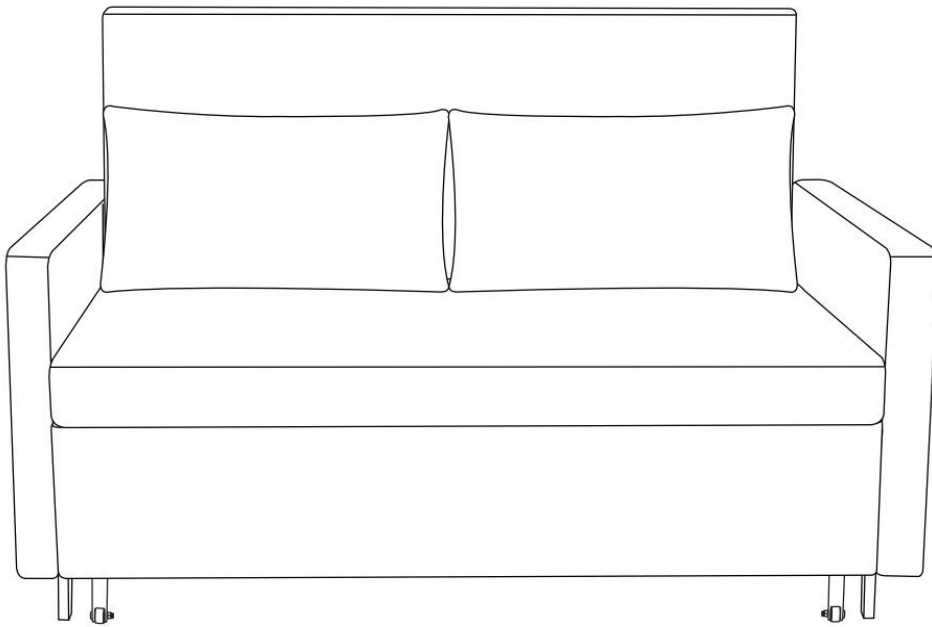


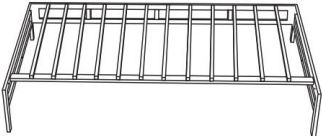
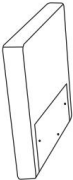

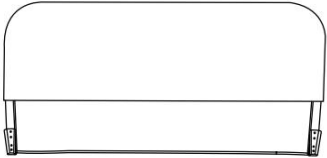
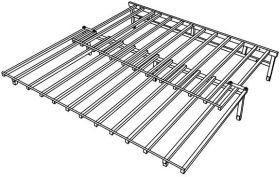
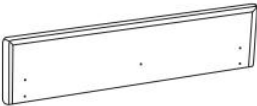
# Assembly Instructions


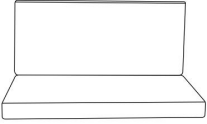




**Note: Please help to read my instruction before you ready to assemble.**

## LOVE SEAT



## **Part List**

<b>Label</b>	<b>Picture</b>	<b>Description</b>	<b>QTY (PCS)</b>
A		Iron Frame	1
B		Left Armrest	1
C		Right Armrest	1
D		Backrest	1
E		Iron Frame	1
F		Footrest	1

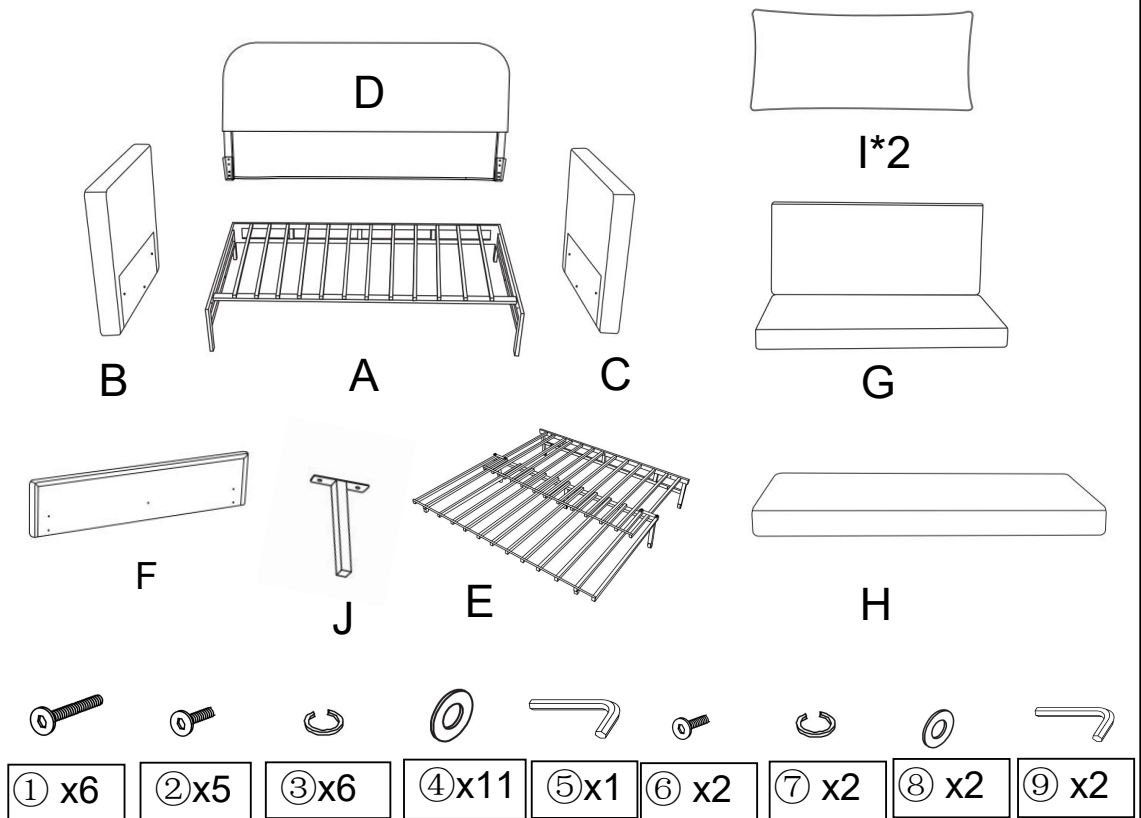
G		Folding Cushion Package	1
		Folding Cushion	1
H		Seat Cushion Package	1
		Seat Cushion	1
I		Waist Cushion	2
J		Middle Leg	1

## Hardware

①		Bolt(M8*40mm)	6
②		Bolt(M8*30mm)	5
③		Spring Washer (M8)	6
④		Flat Washer(M8)	11
⑤		Allen Wrench(S5)	1
⑥		Bolt(M6*20mm)	2
⑦		Spring Washer (M6)	2
⑧		Flat Washer(M6)	2
⑨		Allen Wrench(S4)	1

# Assembly Preparation

All Including:

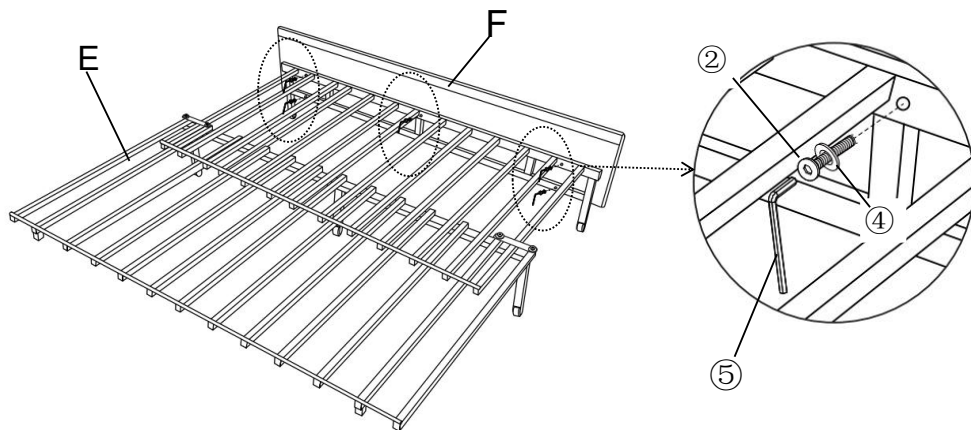


## NOTICE:

- Please read the instruction from cover to cover in detail.Thanks.
- Installed by at least two adults.
- To avoid damaging your furniture , Please don't assemble on flooring or carpet.
- Please assemble on a clean non-marring surface, example for packing foam.
- Saving all packaging until have finished.

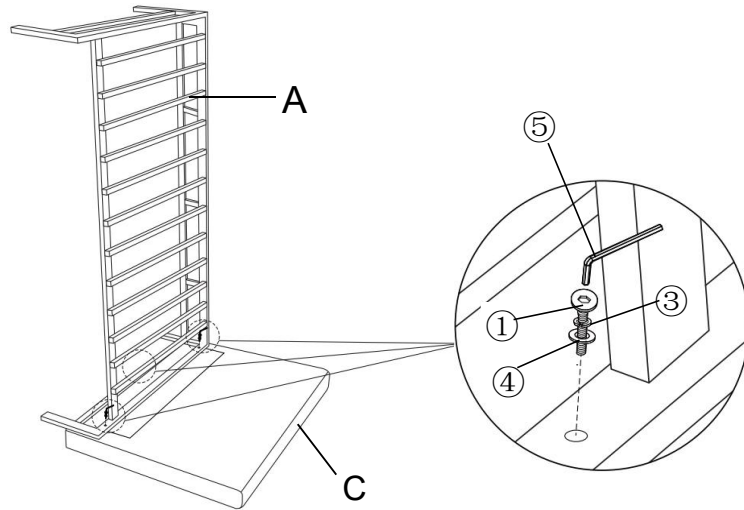
## Assembly Steps

### Step 1



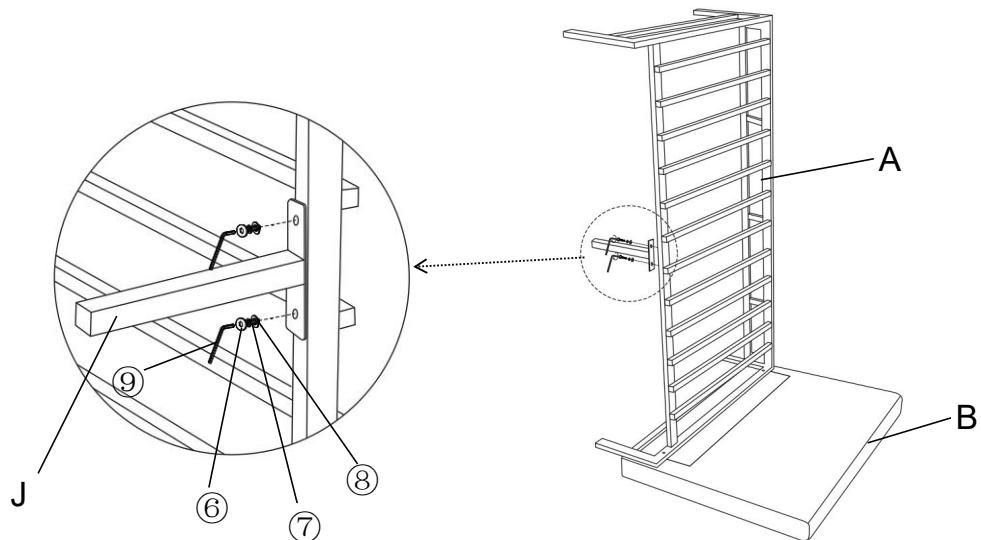
Install the Footrest (F) on the Iron Frame (E) by using Bolt (②)and Flat Washer(④) with Allen Wrench(⑤) turning clockwise until tight.

## Step 2



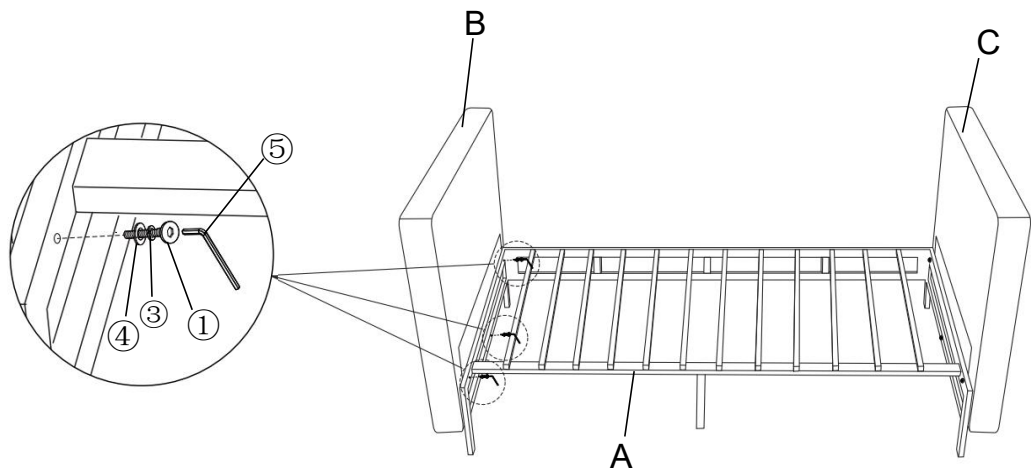
Install the Right Armrest(C) to the Iron Frame(A) by using Bolt(①), Spring Washer(③), Flat Washer(④), with Allen Wrench(⑤) turning clockwise until tight.

## Step 3



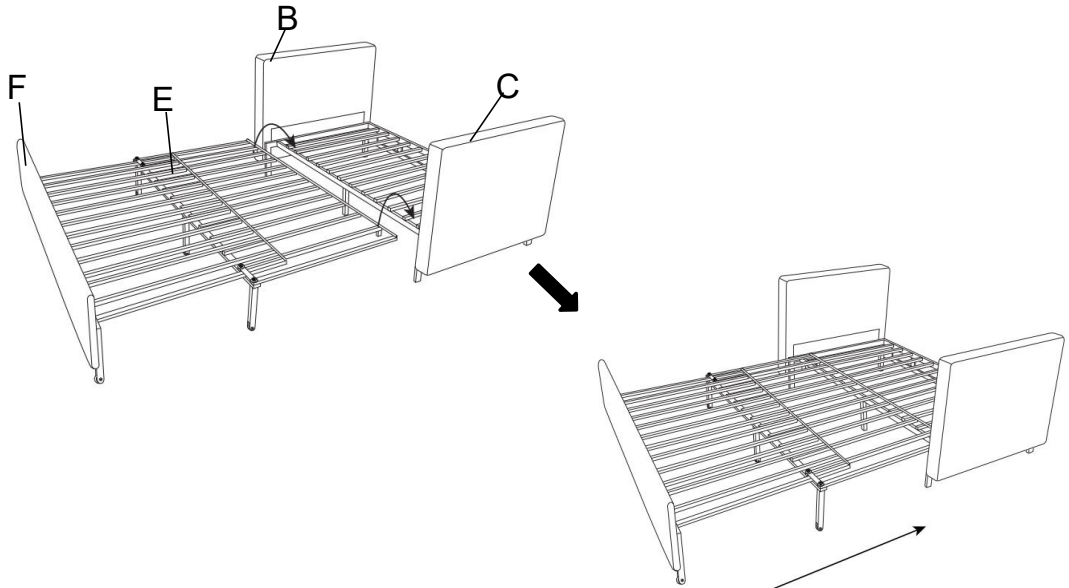
Install the Middle Leg (J) by using Bolt(⑥), Spring Washer(⑦), Flat Washer(⑧), with Allen Wrench(⑨) turning clockwise until tight.

## Step 4



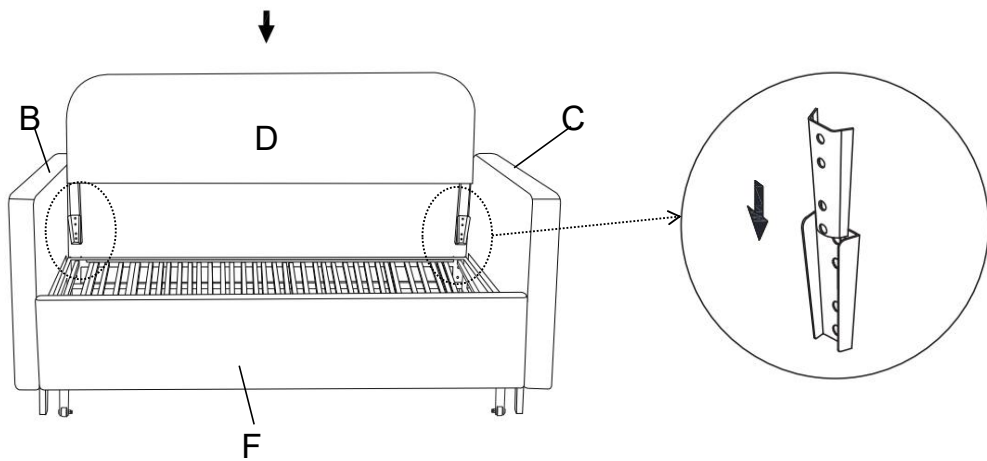
Position the other side up, install the Left Armrest(B) to the Iron Frame(A) by using Bolt(①), Spring Washer(③), Flat Washer(④), with Allen Wrench(⑤) turning clockwise until tight.

**Step 5**



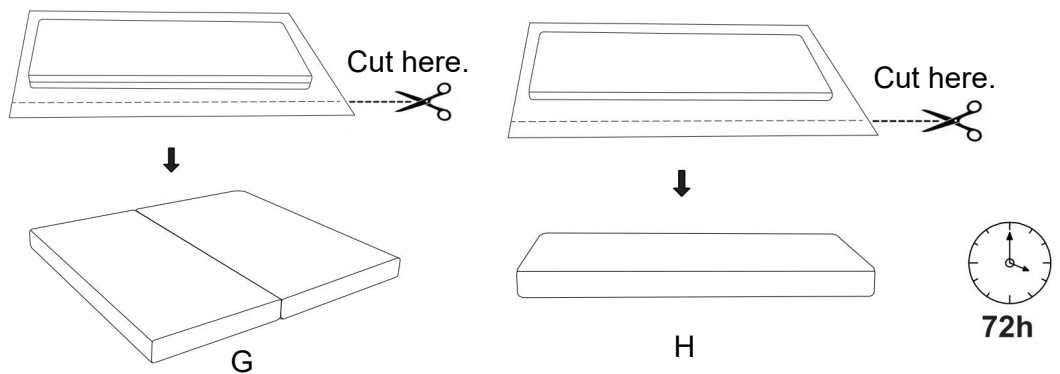
Put the Semi-assembly Part (Step 1) on Semi-assembly Part (Step 3), then push the Footrest (F) into love seat.

**Step 6**



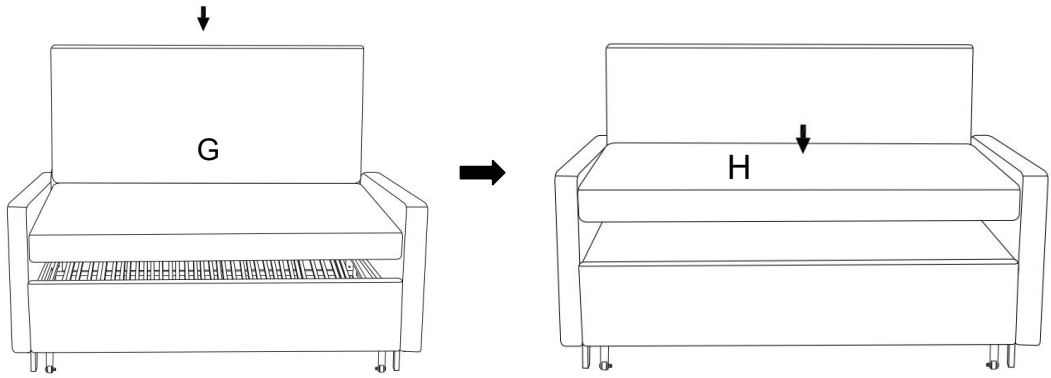
Slide the Tapered Connectors on the Backrest(D) into the Tapered Connectors on the Left Armrest(B) and Right Armrest(C) as shown in the picture.

**Step 7**



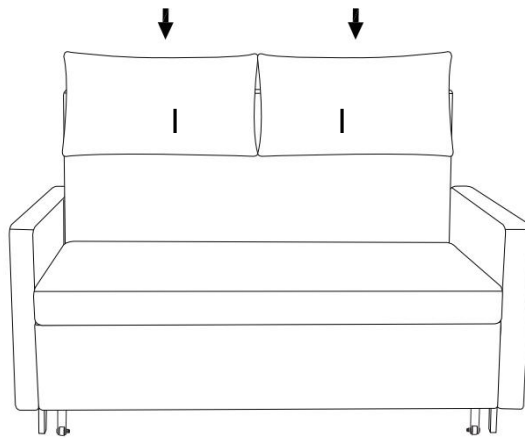
Cut the Folding Cushion Package (G) ,and Seat Cushion package(H) ,then take out cushiones .Fully decompression may take up to 72 hours.

**Step 8**



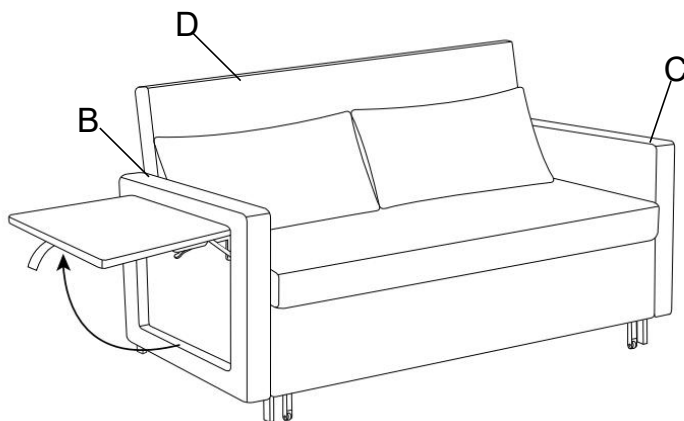
Respectively place the Folding Cushion(G) and Seat Cushion(H) on the love seat as picture shown.

**Step 9**



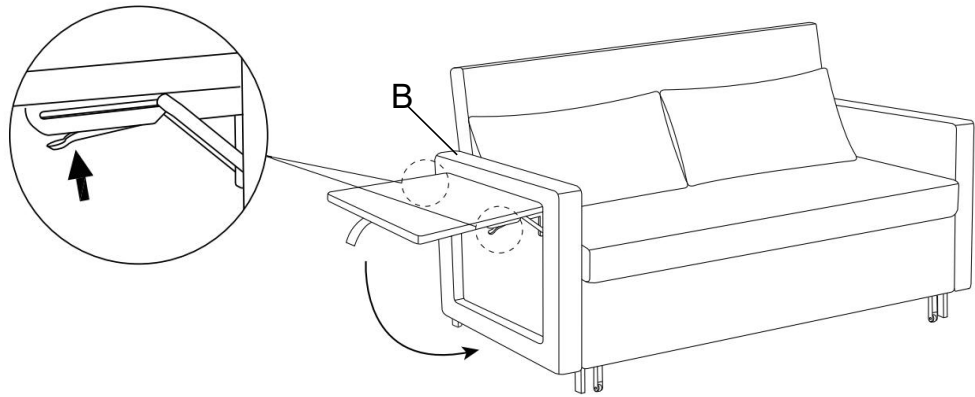
Place the two Waist Cushiones(I) on the love seat.

**Step 10**



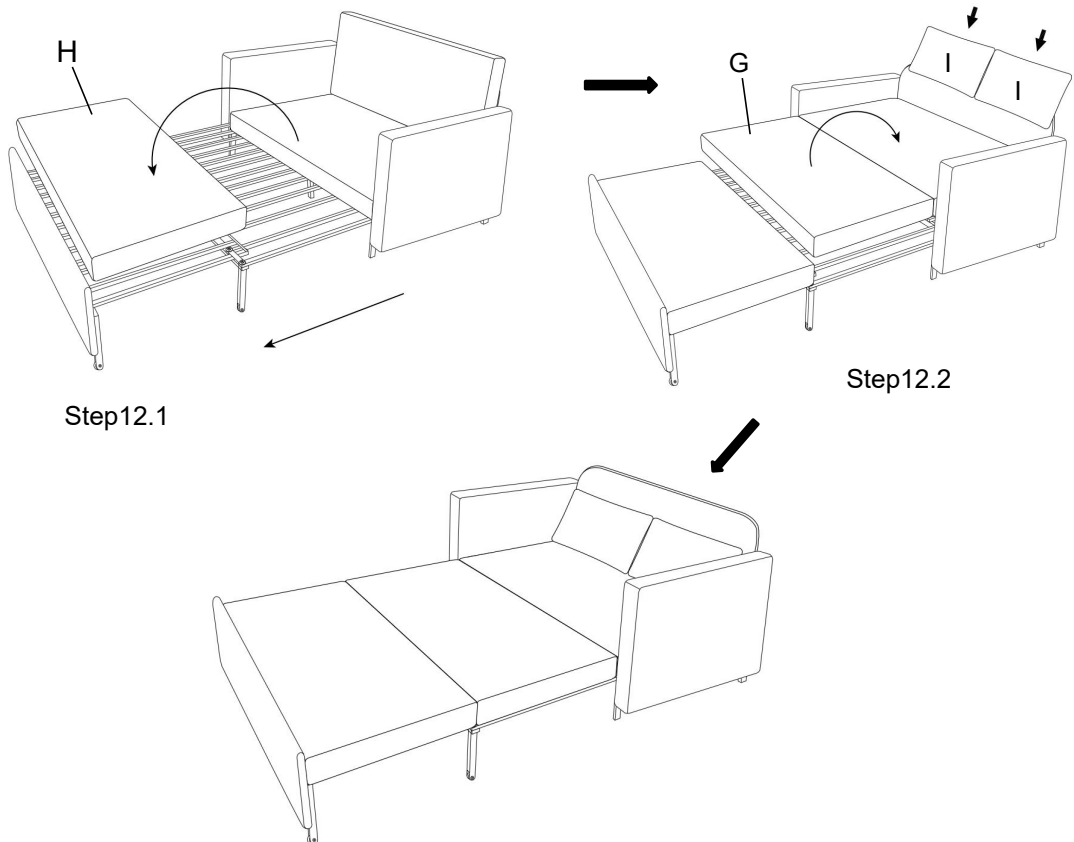
As shown in the picture, the side can be opened to place some small items.

### Step 11



Pinch both sides at the same time and gently press down to withdraw.

### Step 12



Step12.1: Pull out the Footrest(F) in a level line, then put the Seat Cushion(H) on iron frame.  
Step12.2: Pull out and lie the Folding Cushion(G), then place the two Waist Cushion(I) on the love seat.