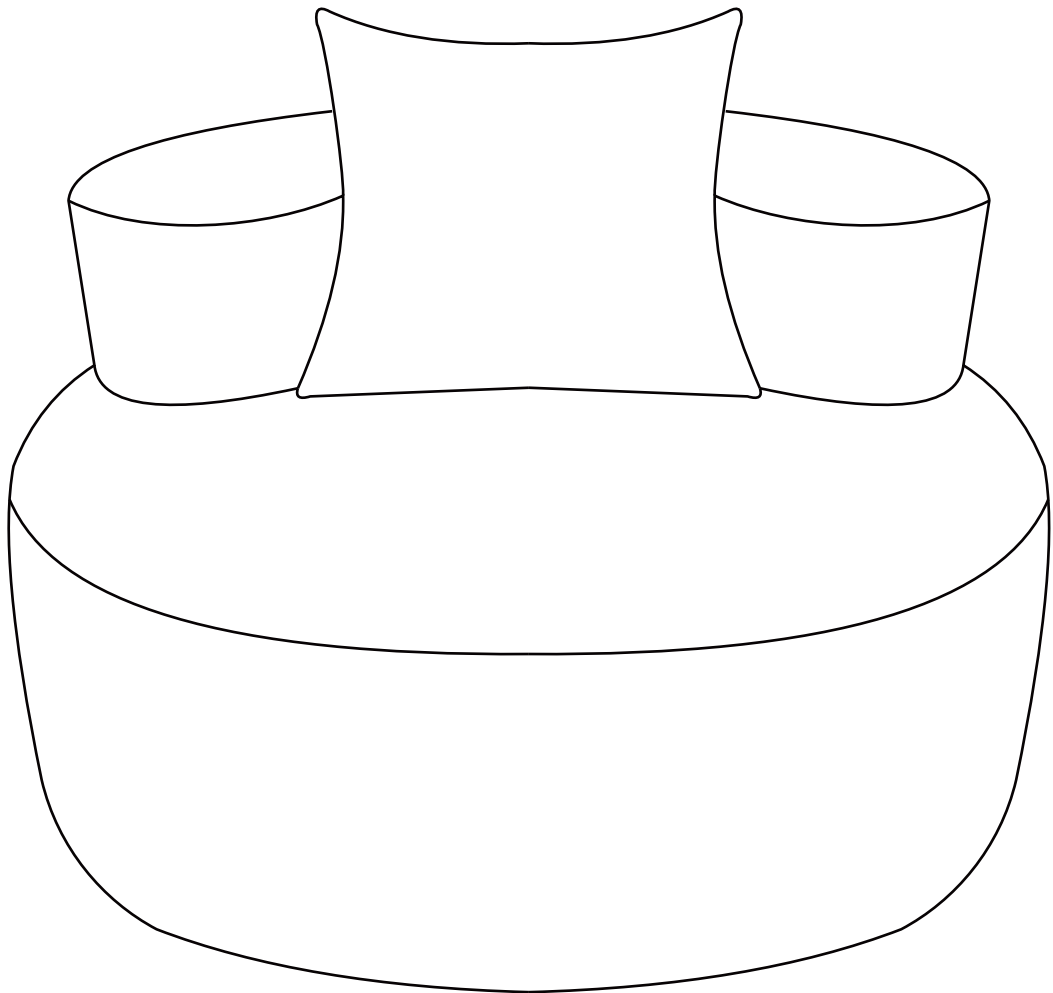


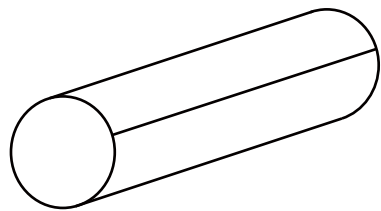
# Instruction Manual

33003A-1



## PART LIST:

①. Compact sofa

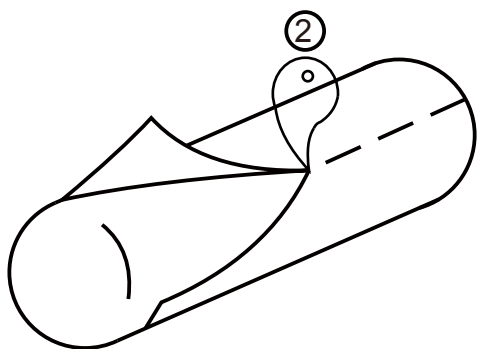


②. Membrane-cutting knife

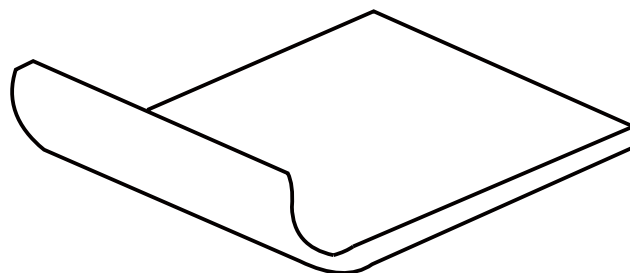


## INSTALLATION STEPS:

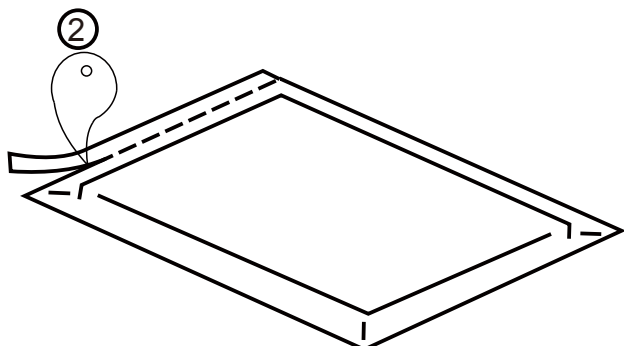
Step 1:  
Use the membrane-cutting knife ② to cut through the first layer of the outer packaging film.



Step 2:  
Lift the sofa flat and place it face up.



Step 3:  
Use the membrane cutting knife ② to cut through the vacuum compression membrane



Step 4:  
Wait for the sofa to fully rebound.

