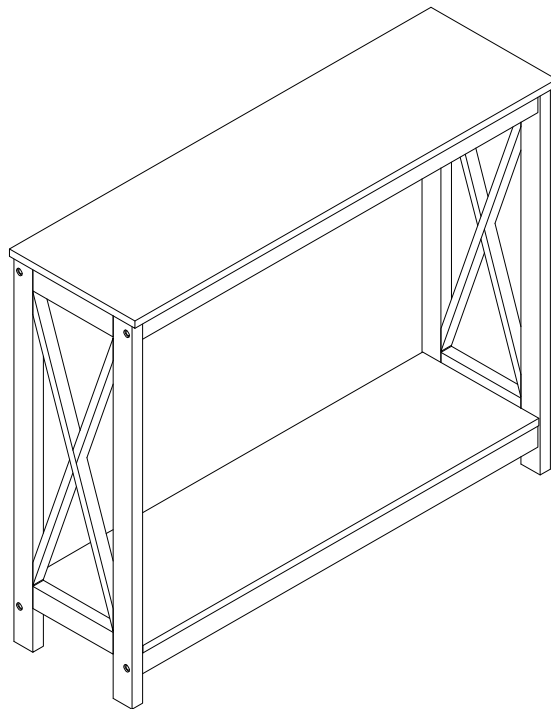


CONSOLE TABLE

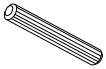

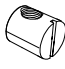
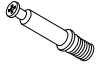
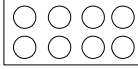








Assembly instructions

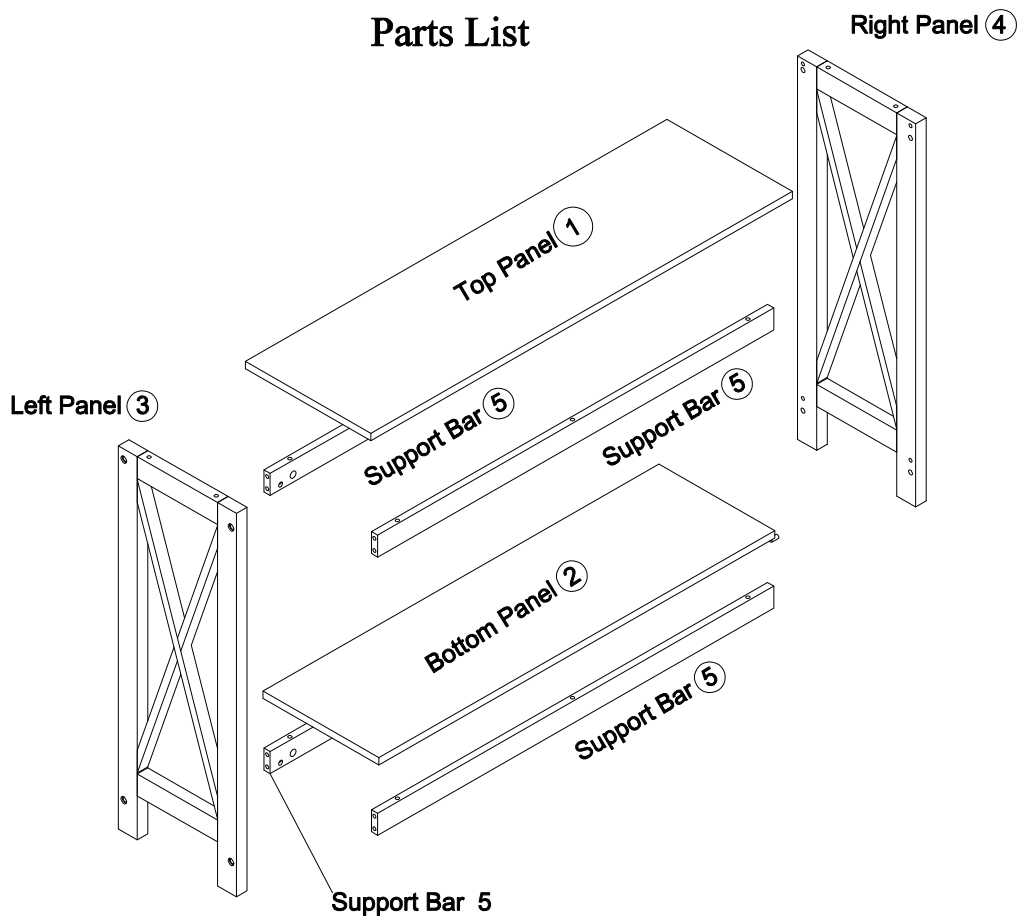
We have designed our furniture with you, the customer in mind. Our clear, easy to follow step by step instructions will guide you through the project from start to finish. Feel confident that this will be a fun and rewarding project. The final product will be a quality piece of furniture that will go together smoothly and give years of enjoyment.

Please verify all parts are present before beginning assembly

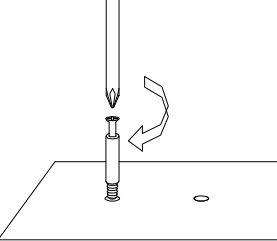
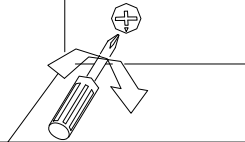
Hardware List

 12 x (A) Wood Dowel	 8 x (B) Bolt	 8 x (C) Lock Nut	 12 x(D) Cam Bolt	 8 x (I) Stickers	 12 x(J) Cam Lock
 2x(E) Anti-tip Bracket	 2x(F) Small Screw	 2x(G) Anchor	 2x(H) Screw	 1 x (Y) Allen Wrench	

Parts List

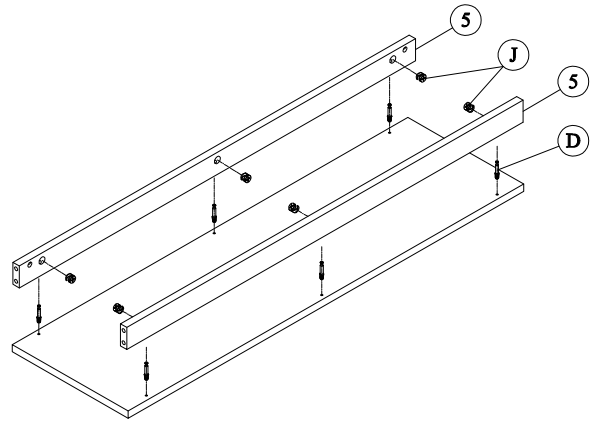
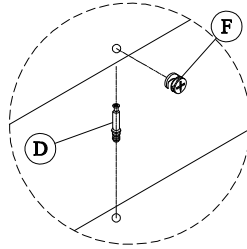


Assembling the unit with cams .

		Page 2 of 5
Gently screw cam bolt into the threaded anchor.	Insert cam lock with arrow pointing down. Screw the cam firmly into locked position.	

Step 1

6 X (D)	
6 X (J)	

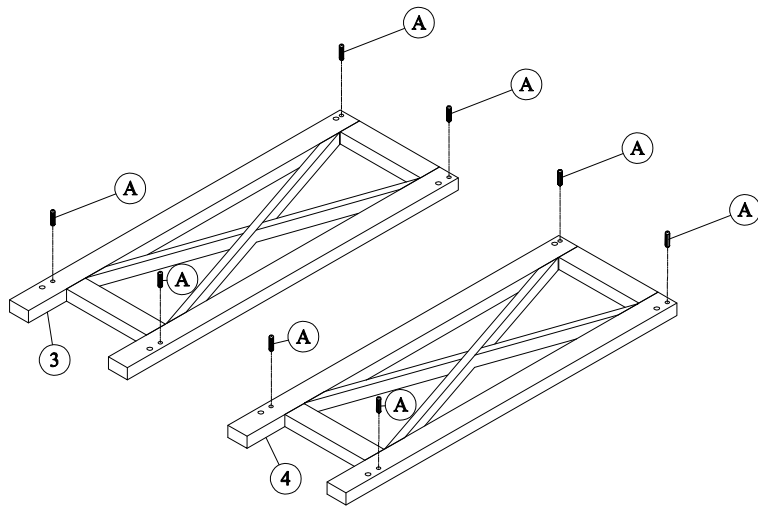


NOTE:
Assemble console on carpet or other soft surface to avoid scratching.

1. Screw Cam Bolts (D) into Bottom Panel (2).
2. Insert Cam Locks (J) into 2 Support Bars (5).
3. Connect Support Bars (5) to Bottom Panel (2) by gently tightening Cam Locks (J).

Step 2

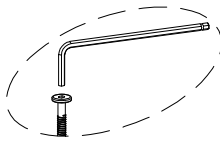
8 X (A)	
---------	--



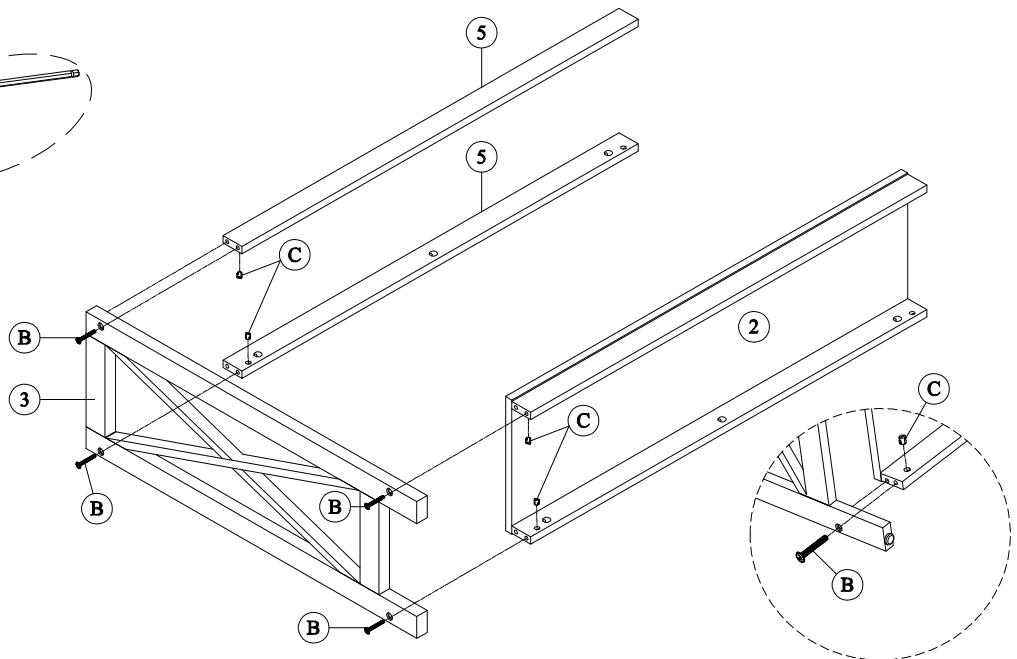
1. Insert Wood Dowels (A) into Left Panel (3) and Right Panel (4).

Step 3

4 X (B)	
4 X (C)	





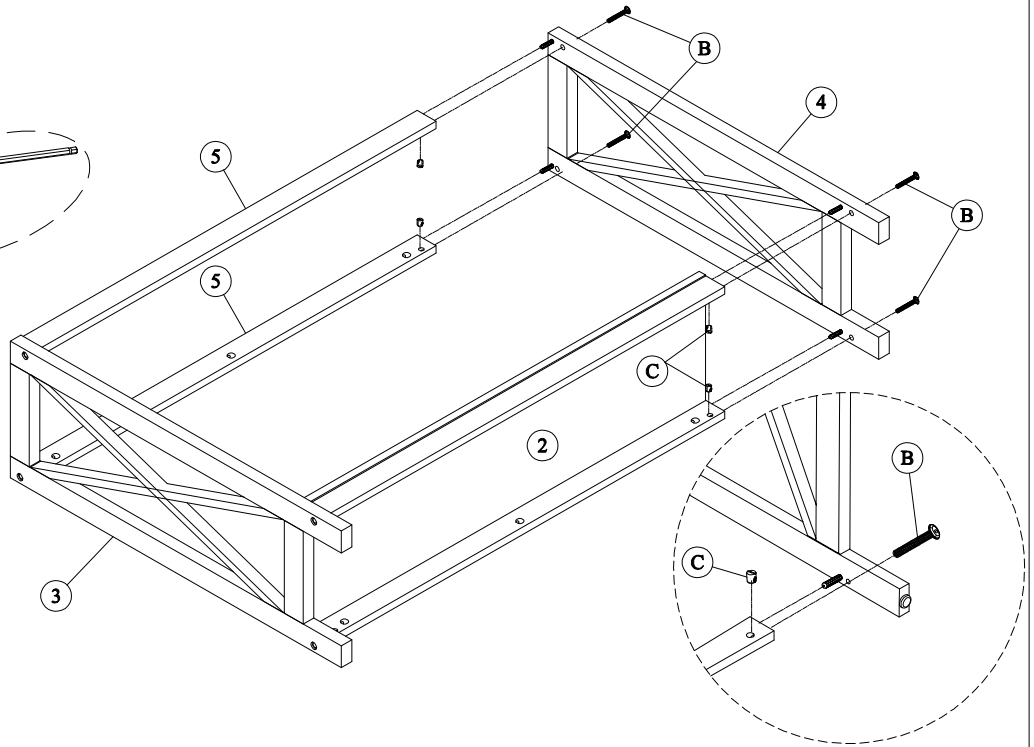
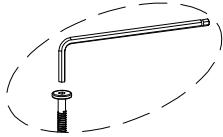
1. Carefully connect left panel (3) to Support Bars (5) and bottom Panel (2) using Bolts (B) and Lock Nuts (C).



Make sure threads of Lock Nuts (C) facing Bolt (B) entrance hole.
Take extra care with Support Bars (5) while they are awaiting Step (4).

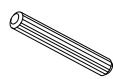
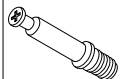
Step 4

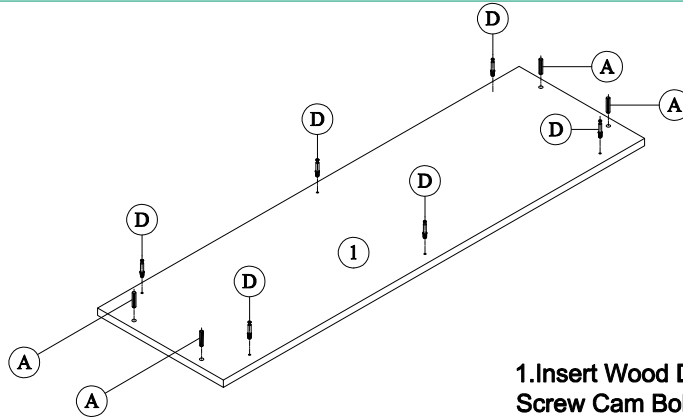
4 X (B)	
4 X (C)	



1. Repeat Step 3 using Right Panel ④




Step 5

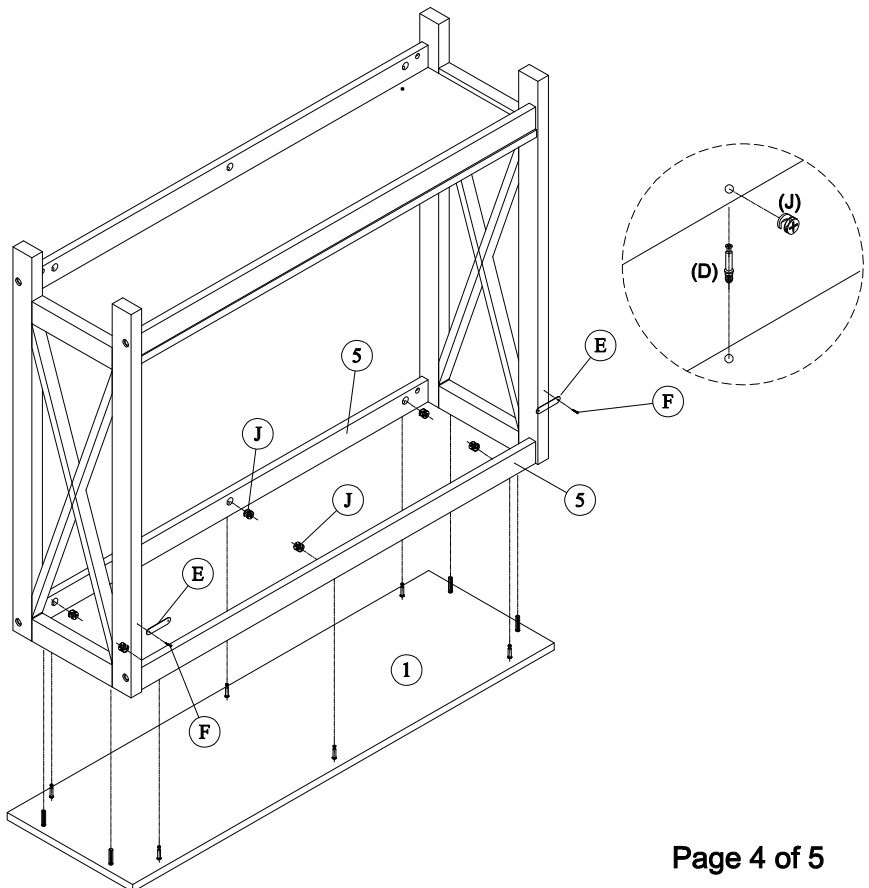
4 X (A)	
6 X (D)	



1. Insert Wood Dowels (A) and Screw Cam Bolts (D) into Top Panel ①.



Step 6

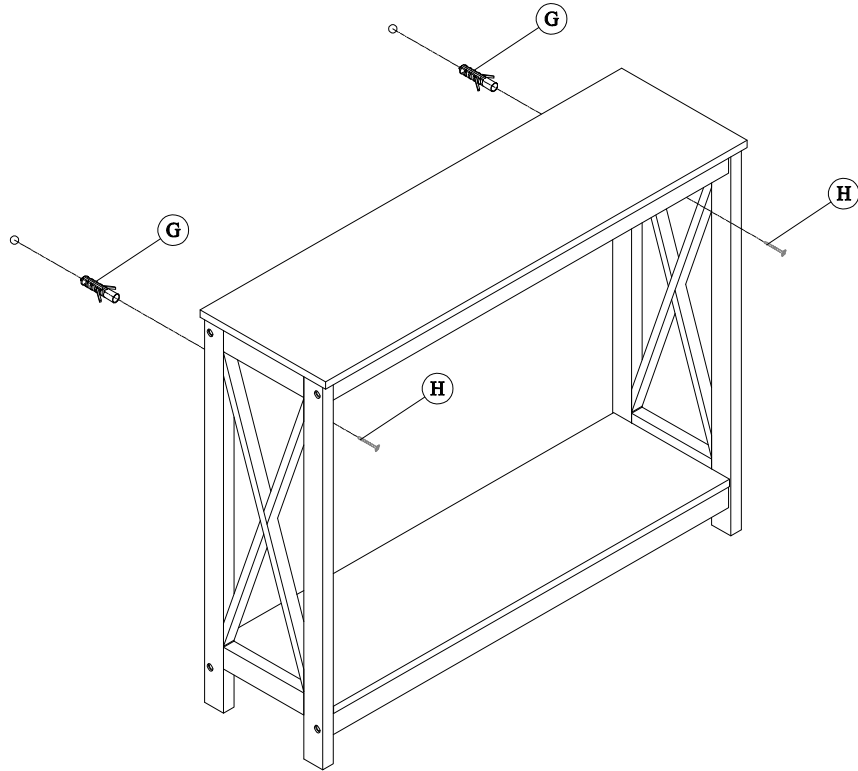
6 x (J)	
2 x (E)	
2 x (F)	



1. Insert Cam locks (J) into Support Bars ⑤ .
 2. Connect assembly to Top Panel ① by gently tightening Cam Locks (J) .
 3. Attach Anti-Tip Bracket (E) to unit using small screws (F).

Step 7

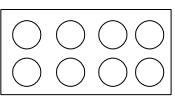
2 X (G)	
2 X (H)	



OPTIONAL BUT RECOMMENDED

1. Place unit against wall and mark Bracket Holes.
2. Drill Hole in wall slightly smaller than Anchor (G) and then tap Anchor into hole.
3. Fasten unit to wall using Screw (H) through Bracket (E).

Step 8

8 X (I)	
---------	---

1. If desired, place Stickers (I) over screw holes.
2. Enjoy.

