

Customer Service and Instructions

Power Lift Recliner Chair with 3 Motor

Series NO. 8064

Official website: www.vbonda.com

Dear customer,

Thank you for purchasing our Power Lift Recliner Chair with 3 Motor.

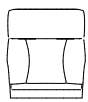

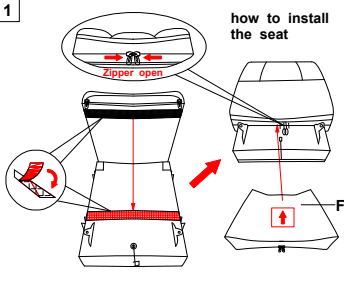
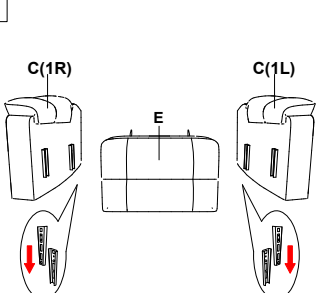
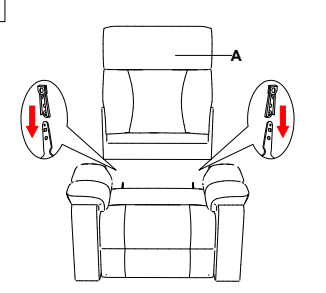
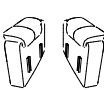
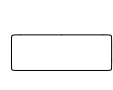
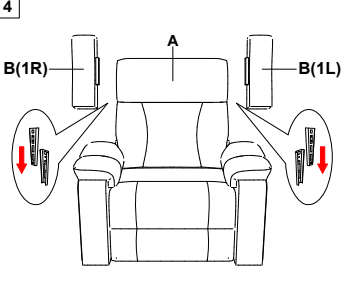
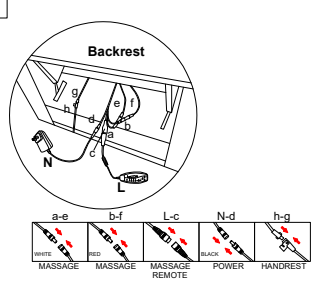
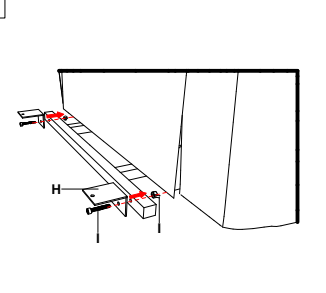

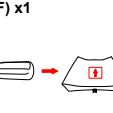
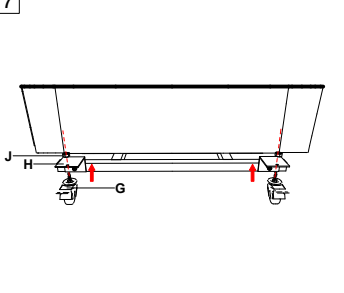
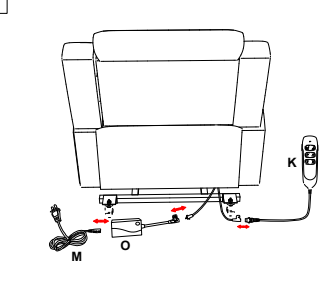
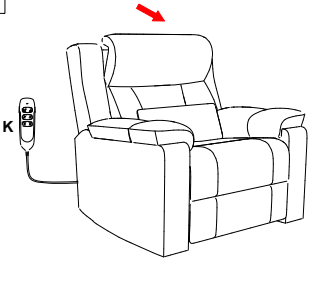


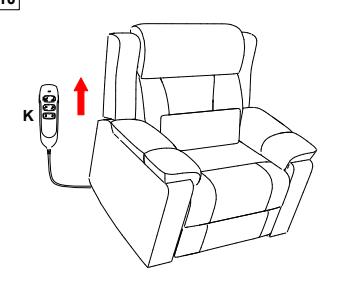
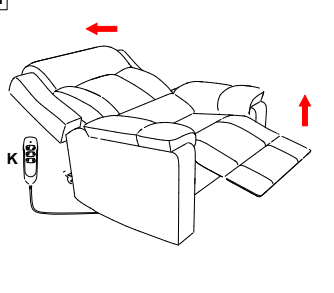
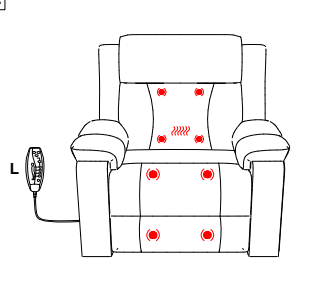


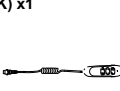
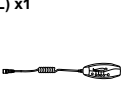


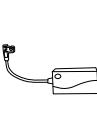
This product will be shipped in 3 boxes, which may not arrive at the same time. If you only receive a partial delivery, please check the package tracking number first. All boxes are usually delivered within 3-5 working days. The product comes with a 1-year warranty. For any quality issues, please get support through our official website: www.vbonda.com. Your email will be replied to within 24 hours, please wait patiently.

ATTENTION PLEASE:

1. The power cords have been labeled with color tags. Please connect them one by one according to the corresponding colors. Incorrect connection will cause the remote control to malfunction. If you have any questions, please contact us through our website www.vbonda.com.

2. The chair was sent in Box-A -B-C. If you only received one of them, please don't worry. You will receive the other boxes in the next few days.

3. The accessory box is placed in Box B. The accessory box includes remotes, transformer and power plugs.

		Assembly instructions		
(A) x1 	(B) x1Rx1L 	1 	2 	3 
(C) x1Rx1L 	(D) x1 	4 	5 	6 
(E) x1 	(F) x1 	7 	8 	9 
(G) x2 	(H) x2 	10 	11 	12 
(I) x2 	(J) x2 			
(K) x1 	(L) x1 			
(M) x1 	(N) x1 			
(O) x1 				

Warning: In the interest of health and safety, Please ensure no obstacles, children or pets are near the chair mechanism or the area Underneath when the chair is in use. This is not a play area. Vigilance is required to avoid accidents.