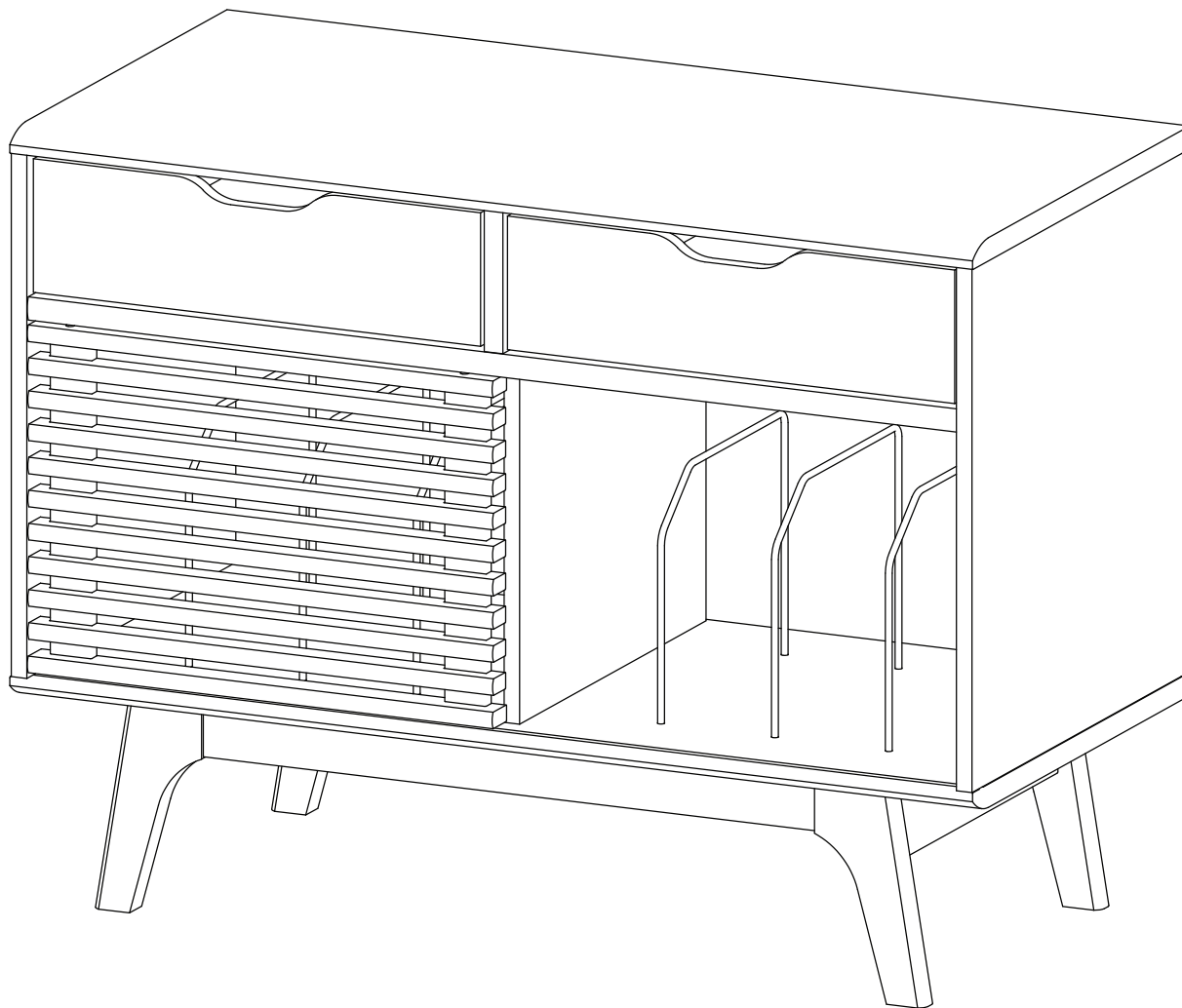


ASSEMBLY INSTRUCTIONS

EEI-4323

V0.09.28.21



Questions? Contact us!

609.256.9000 • cs@modway.com
www.modway.com

*modway

Let's get started!

*modway



Read through all of the instructions before starting



Care instructions are listed in the last step of this manual



Approx. 90 minutes assembly time



Make sure you have all parts and components before discarding any packing materials



2 people recommended for assembly

Only use hand tools to assemble this item. Do not use power tools. Do not tighten bolts or screws completely until all hardware is lined up and inserted into the holes.

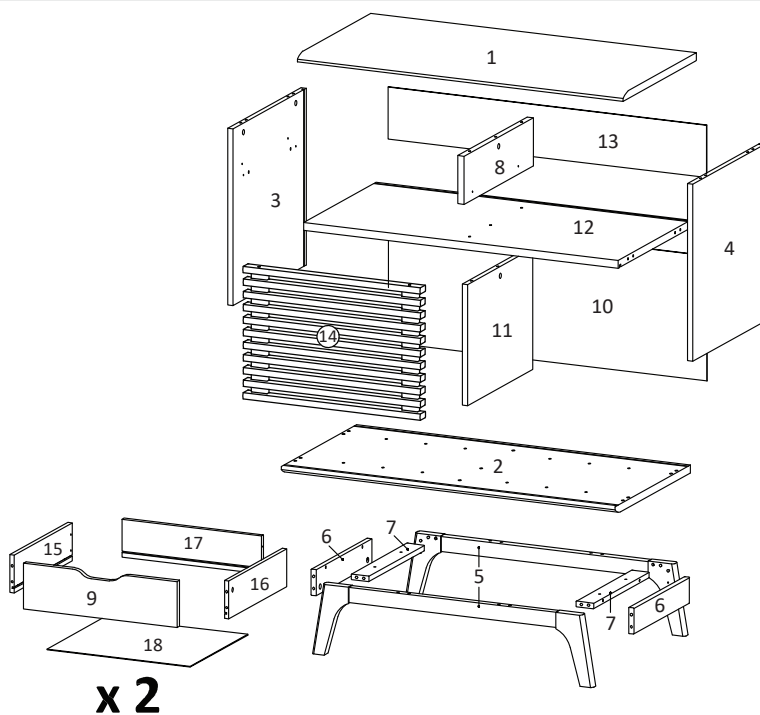
Do not over-tighten screws and bolts to avoid stripping the hardware or cracking the item.

Assemble your item on a flat, carpeted area, with plenty of space to work. This will prevent damage and scratches to your floors or the item while you're assembling the product.

Keep all components and packaging out of reach of children or animals to avoid risk of choking or suffocation.

Furniture components:

1	Top Board	x1	10	Back Board 1	x1
2	Bottom Board	x1	11	Center Board 2	x1
3	Side Board Left	x1	12	Fixed Shelf	x1
4	Side Board Right	x1	13	Back Board 2	x1
5	Assembly Leg	x2	14	Frame Door	x1
6	Support Board 1	x2	15	Side Drawer Left	x2
7	Support Board 2	x2	16	Side Drawer Right	x2
8	Center Board 1	x1	17	Back Drawer	x2
9	Front Drawer	x2	18	Bottom Drawer	x2



Provided hardware:

A		Cam Bolt $\varnothing 6 \times 35$ mm	x18	J		Sliding Door Pin- Bottom	x2	S		Screw M 8 x 39 mm	x8
B		Cam Lock $\varnothing 15$ mm	x14	K		Silicon Bumper	x2	T		Screw M 3.5 x 13 mm	x12
C		Wood Dowel $\varnothing 8 \times 30$ mm	x36	L		Screw M 6.4 x 53 mm	x4	U		Screw Cap $\varnothing 15$ mm	x1
D		Screw M 7 x 50 mm	x6	M		Divider Wire	x6	RM35A		Drawer Runner	x2
E		Allen Key	x1	N		Wood Dowel $\varnothing 8 \times 50$ mm	x2	What you need:			
F		Wedge	x16	O		Wood Dowel $\varnothing 6 \times 30$ mm	x4		Phillips Head Screwdriver		
G		Screw M 3.5 x 15.5 mm	x16	P		Cam Lock $\varnothing 12$ mm	x4				
H		Screw M 6.4 x 25 mm	x4	Q		Floor Protector	x4				
I		Sliding Door Pin- Top	x2	R		Screw M 6 x 10.5 mm	x8				

Wait!

Missing parts or hardware? Need assistance?
Contact us before returning your item. We're here to help!
609.256.9000 • cs@modway.com

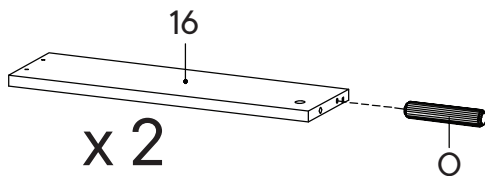
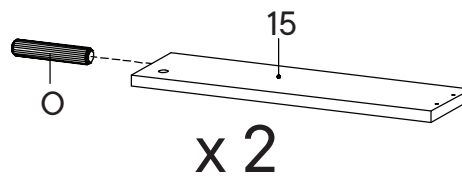
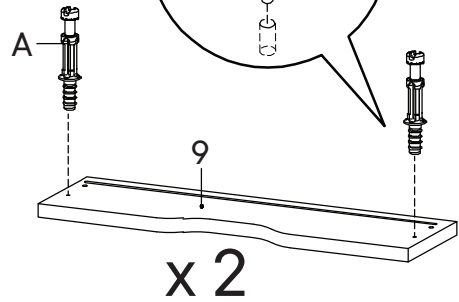
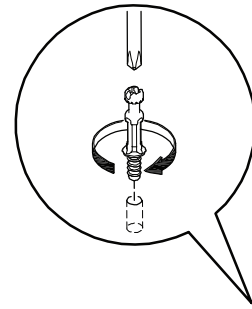
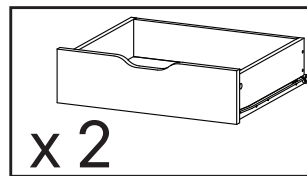
Step 1

HARDWARE

- A** Cam Bolt Ø6 x 35 mm x4
- O** Wood Dowel Ø6 x 30 mm x4

COMPONENTS

- 9** Front Drawer x2
- 15** Side Drawer Left x2
- 16** Side Drawer Right x2



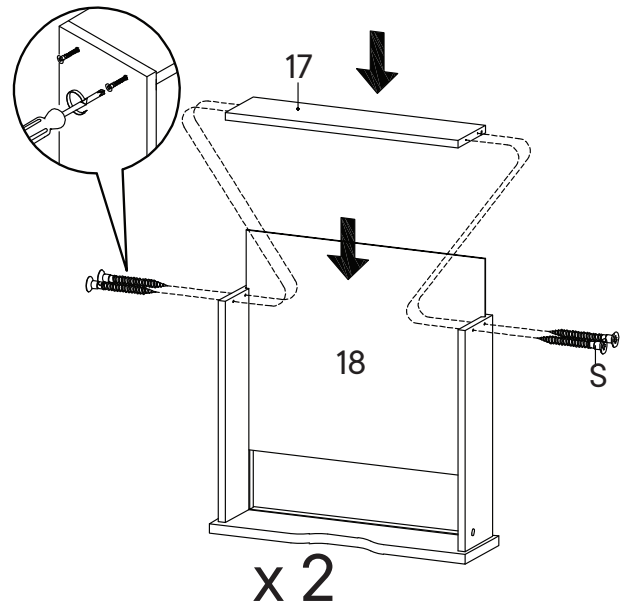
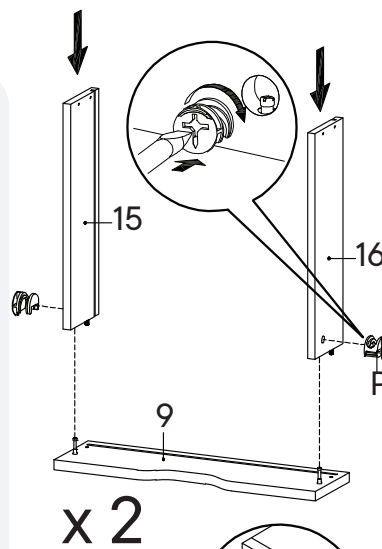
Step 2

HARDWARE

- P** Cam Lock Ø12 mm x4
- S** Screw M 8 x 39 mm x8

COMPONENTS

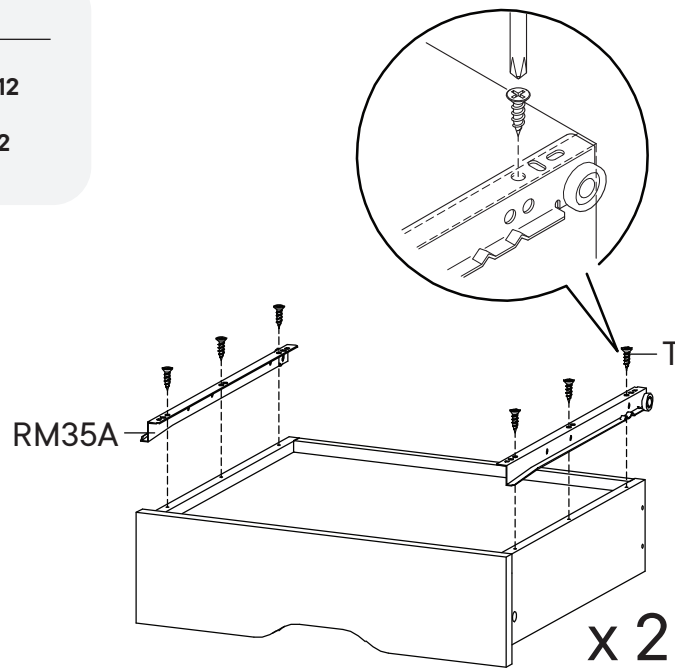
- 9** Front Drawer x2
- 15** Side Drawer Left x2
- 16** Side Drawer Right x2
- 17** Back Drawer x2
- 18** Bottom Drawer x2



Step 3

HARDWARE

- T** Screw M 3.5 x 13 mm x12
- RM35A** Drawer Runner x2



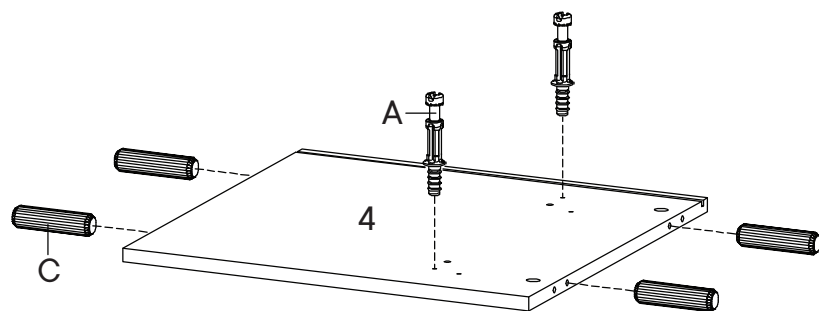
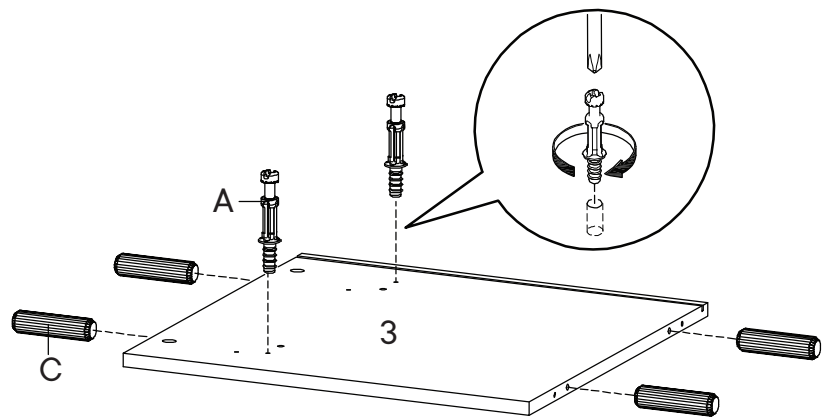
Step 4

HARDWARE

- A** Cam Bolt $\varnothing 6$ x 35 mm x4
- C** Wood Dowel $\varnothing 8$ x 30 mm x8

COMPONENTS

- 3** Side Board Left x1
- 4** Side Board Right x1



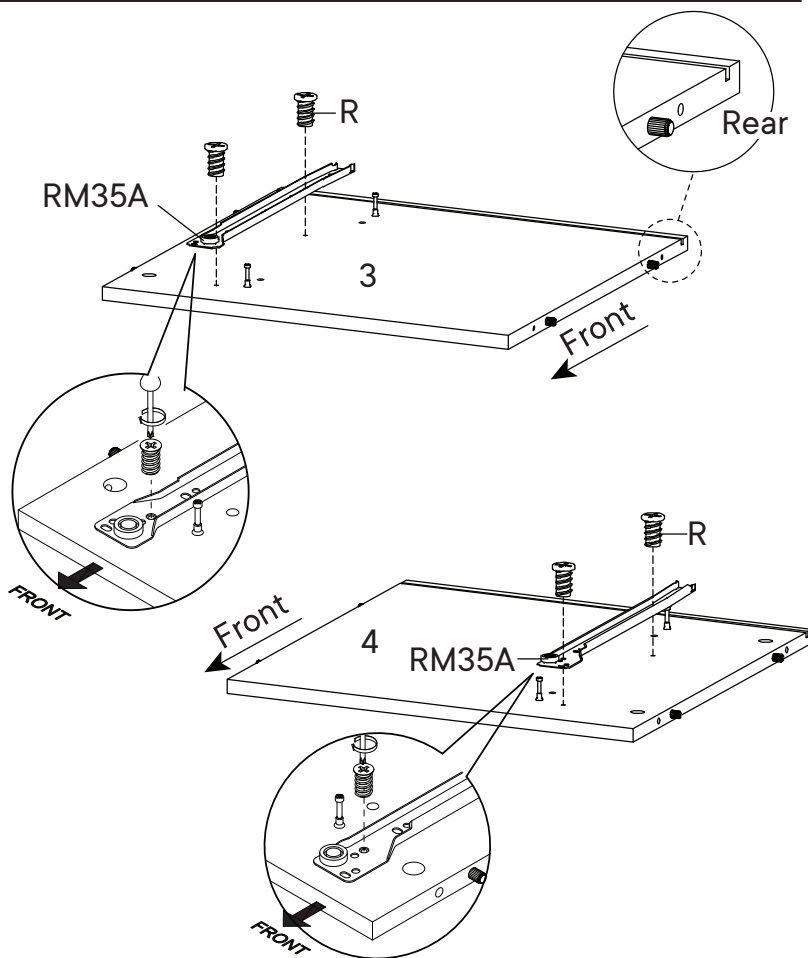
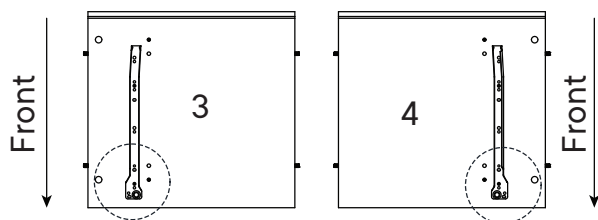
Step 5

HARDWARE

- R** Screw M 6 x 10.5 mm x4
- RM35A** Drawer Runner x1

COMPONENTS

- 3** Side Board Left x1
- 4** Side Board Right x1



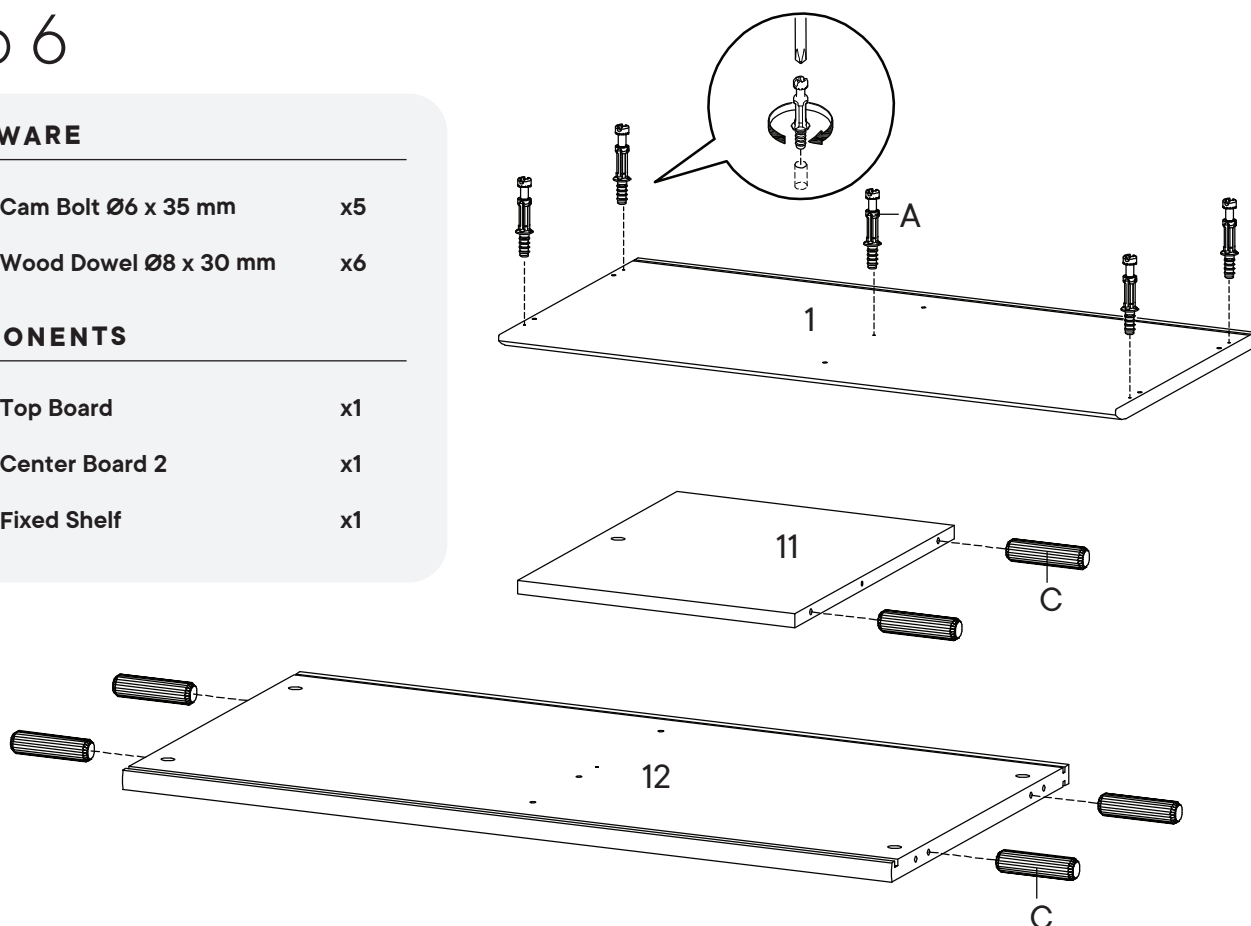
Step 6

HARDWARE

- A** Cam Bolt $\varnothing 6 \times 35$ mm x5
- C** Wood Dowel $\varnothing 8 \times 30$ mm x6

COMPONENTS

- 1** Top Board x1
- 11** Center Board 2 x1
- 12** Fixed Shelf x1



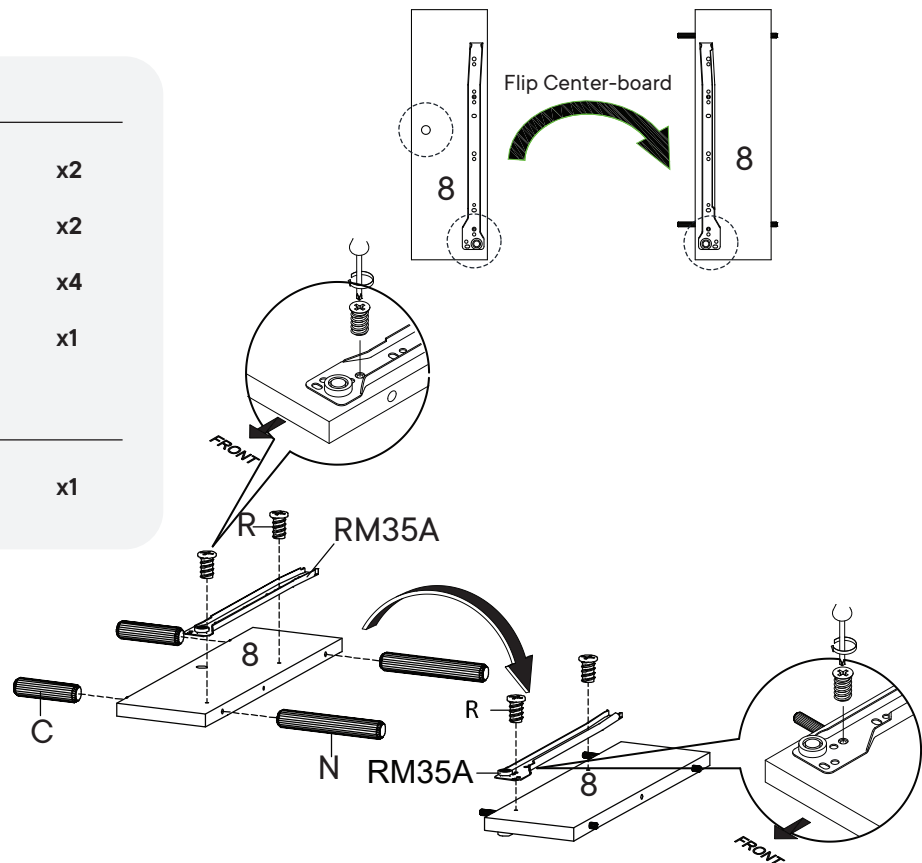
Step 7

HARDWARE

- C** Wood Dowel Ø8 x 30 mm x2
- N** Wood Dowel Ø8 x 50 mm x2
- R** Screw M 6 x 10.5 mm x4
- RM35A** Drawer Runner x1

COMPONENTS

- 8** Center Board 1 x1



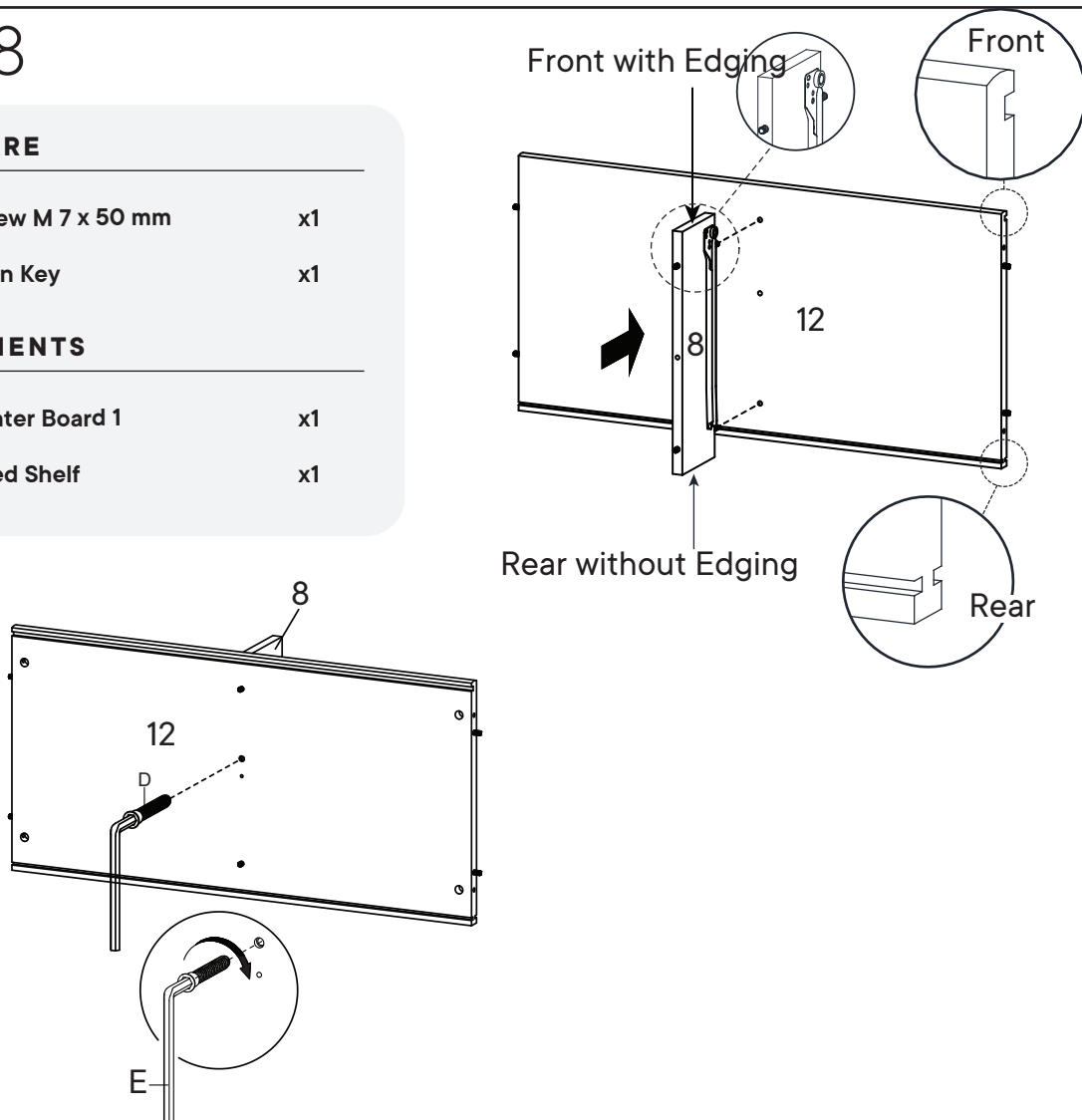
Step 8

HARDWARE

- D** Screw M 7 x 50 mm x1
- E** Allen Key x1

COMPONENTS

- 8** Center Board 1 x1
- 12** Fixed Shelf x1



Step 9

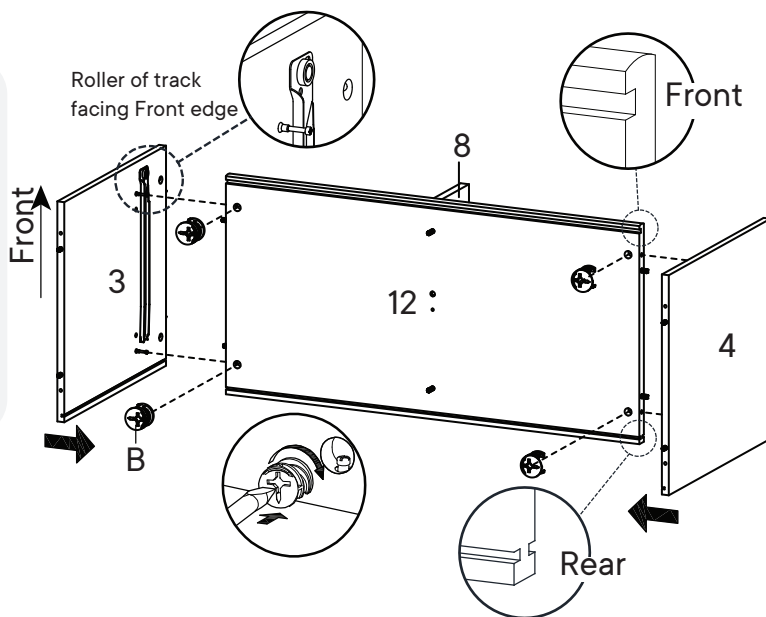
HARDWARE

B Cam Lock Ø15 mm x4

COMPONENTS

3 Side Board Left x1

4 Side Board Right x1



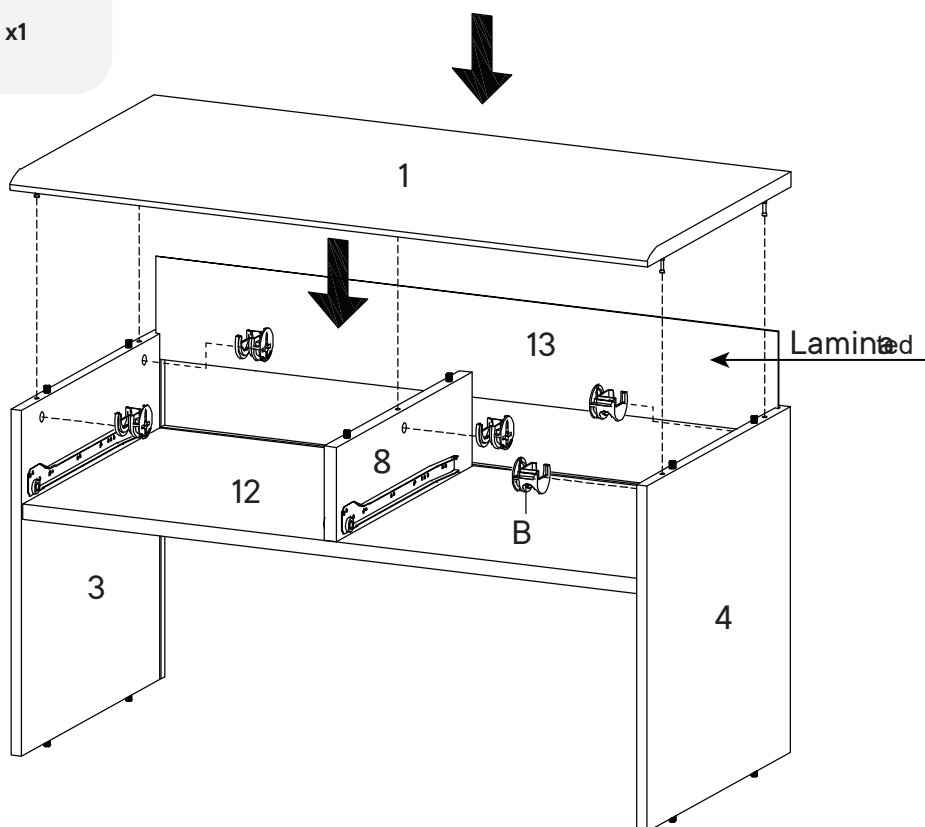
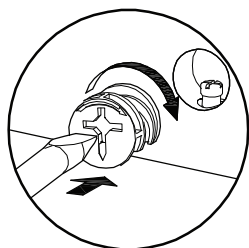
Step 10

HARDWARE

B Cam Lock Ø15 mm x5

COMPONENTS

1 Top Board x1



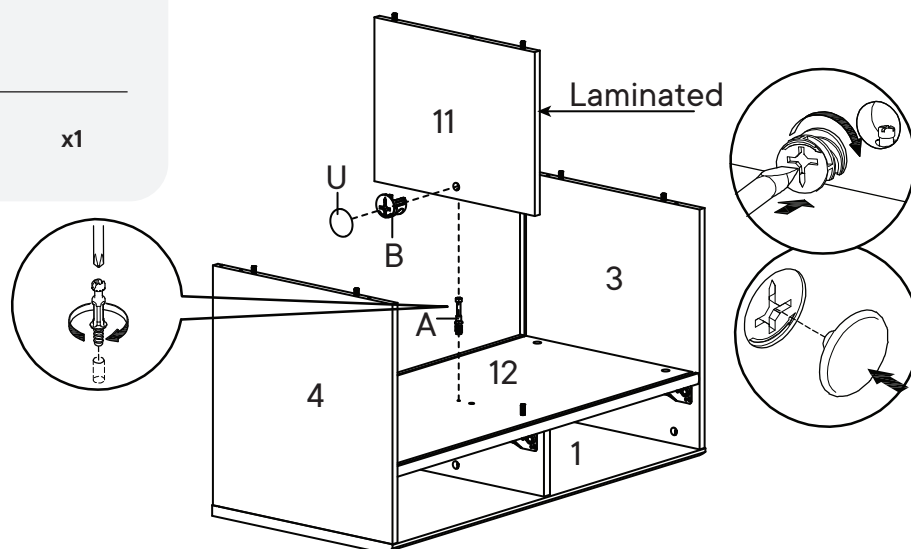
Step 11

HARDWARE

- A** Cam Bolt Ø6 x 35 mm x1
- B** Cam Lock Ø15 mm x1
- U** Screw Cap Ø15 mml x1

COMPONENTS

- 11** Center Board 2 x1



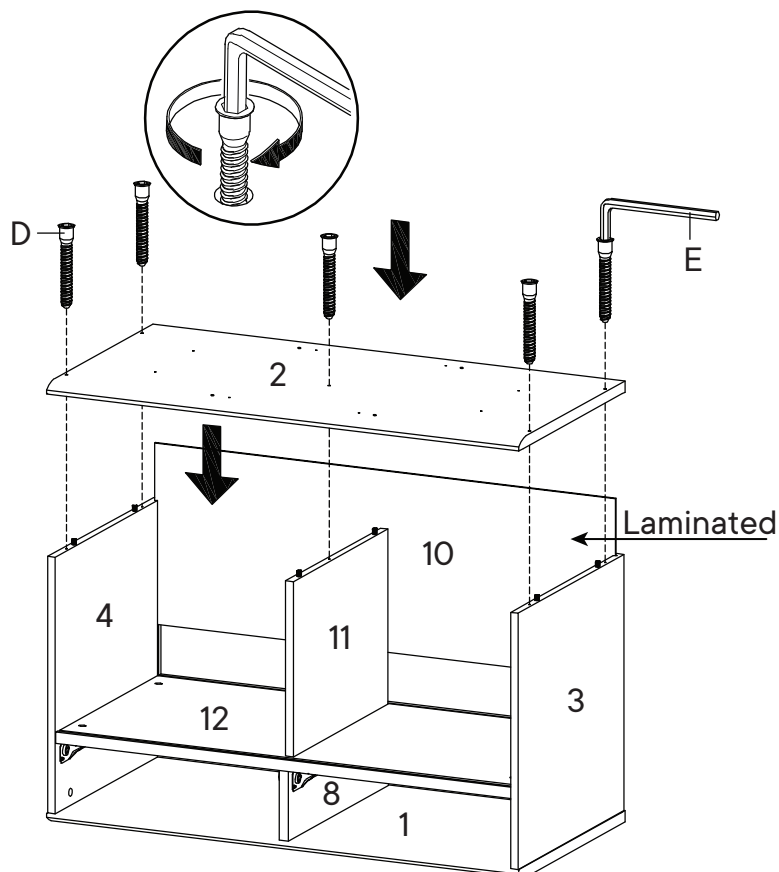
Step 12

HARDWARE

- D** Screw M 7 x 50 mm x5
- E** Allen Key x1

COMPONENTS

- 2** Bottom Board x1
- 10** Back Board 1 x1



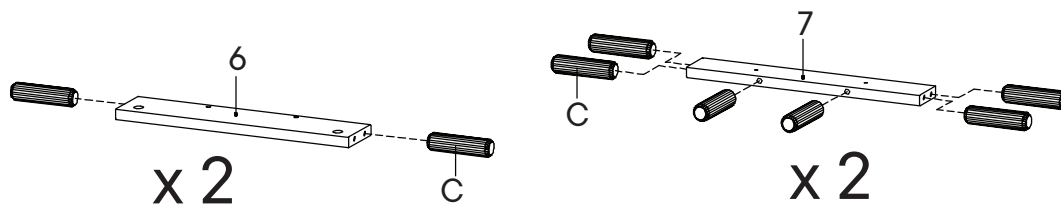
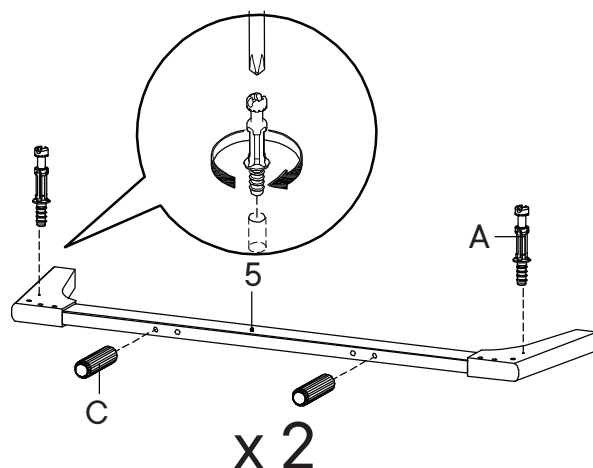
Step 13

HARDWARE

- A** Cam Bolt Ø6 x 35 mm x4
- C** Wood Dowel Ø8 x 30 mm x20

COMPONENTS

- 5** Assembly Leg x2
- 6** Support Board 1 x2
- 7** Support Board 2 x2



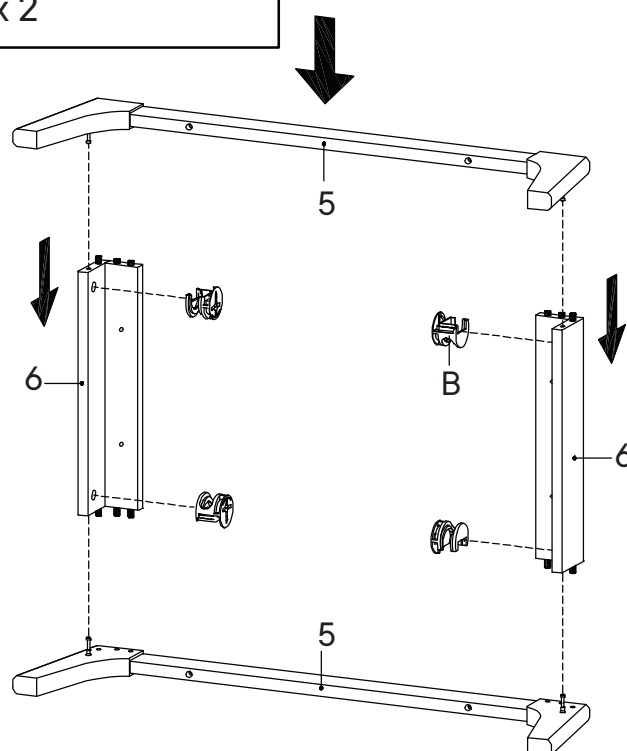
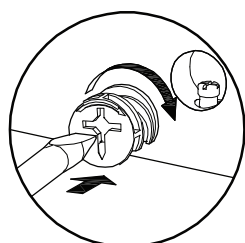
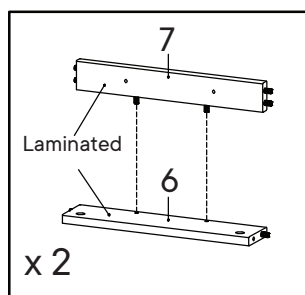
Step 14

HARDWARE

- B** Cam Lock Ø15 mm x4

COMPONENTS

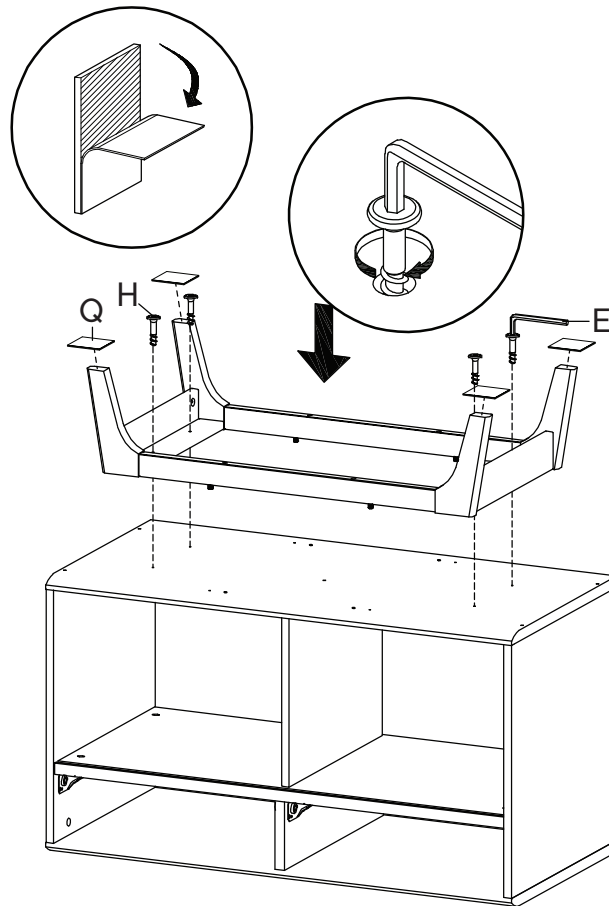
- 5** Assembly Leg x2
- 6** Support Board 1 x2
- 7** Support Board 2 x2



Step 15

HARDWARE

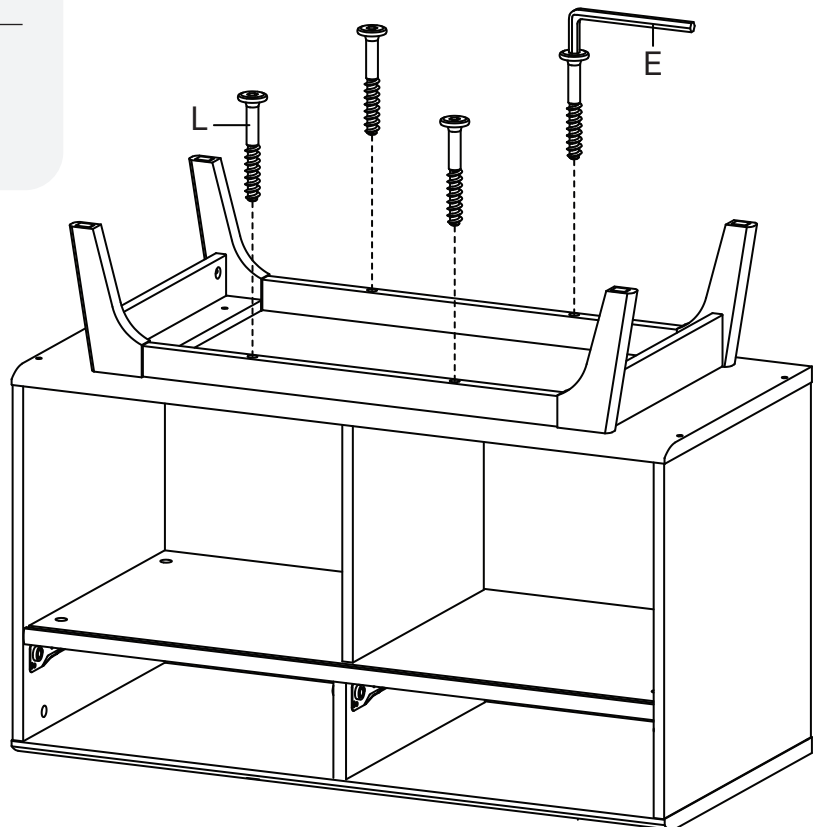
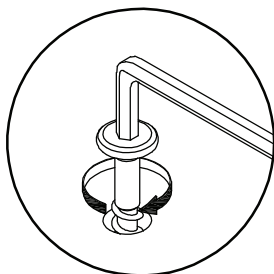
- E** Allen Key x1
- H** Screw M 6.4 x 25 mm x4
- Q** Floor Protector x4



Step 16

HARDWARE

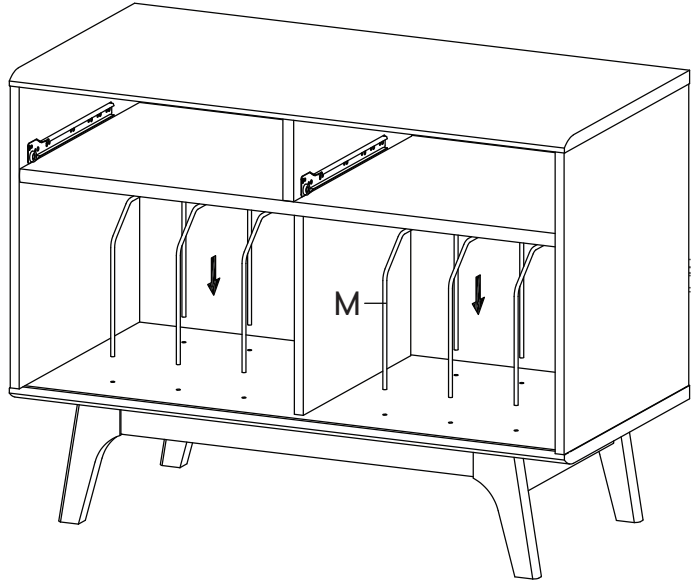
- E** Allen Key x1
- L** Screw M 6.4 x 53 mm x4



Step 17

HARDWARE

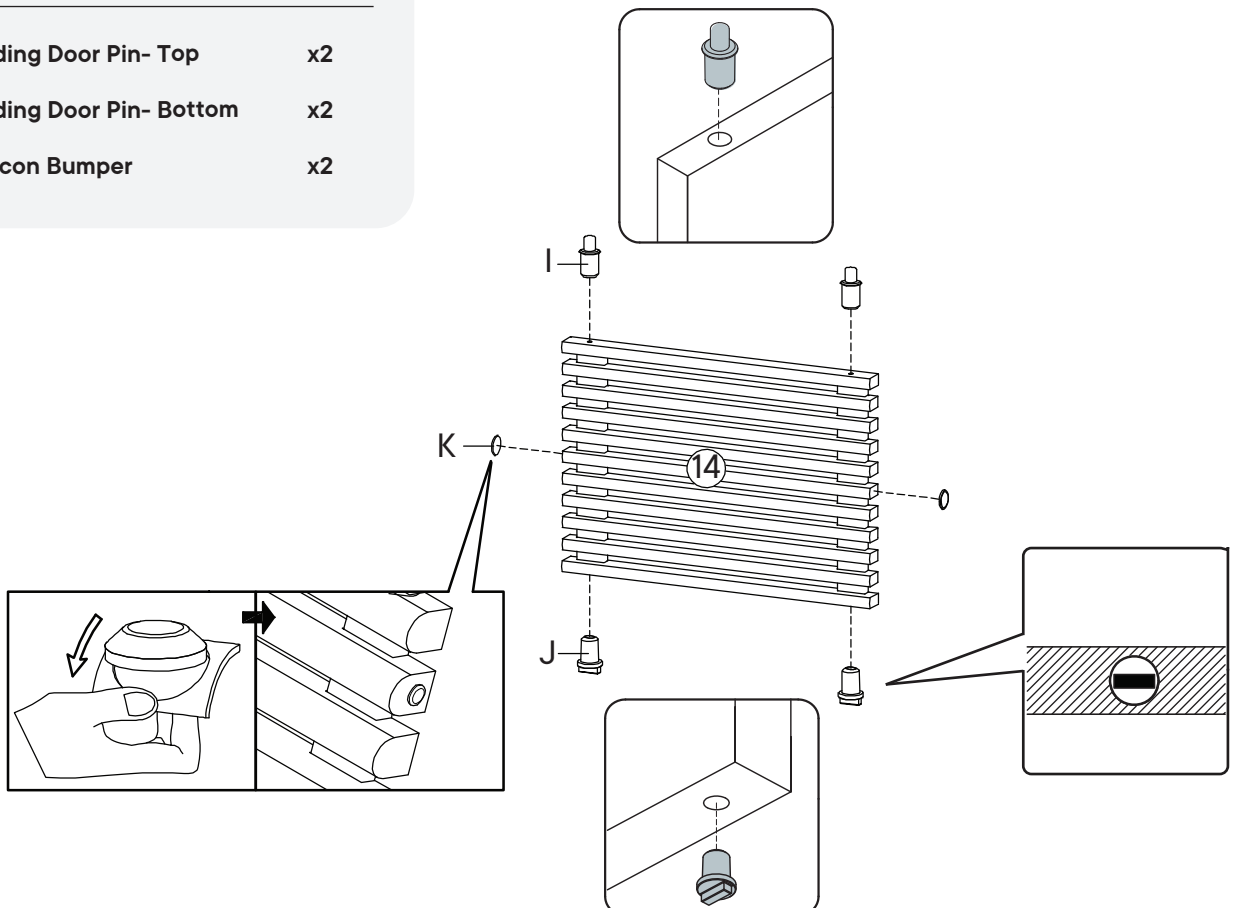
- M Divider Wire x6



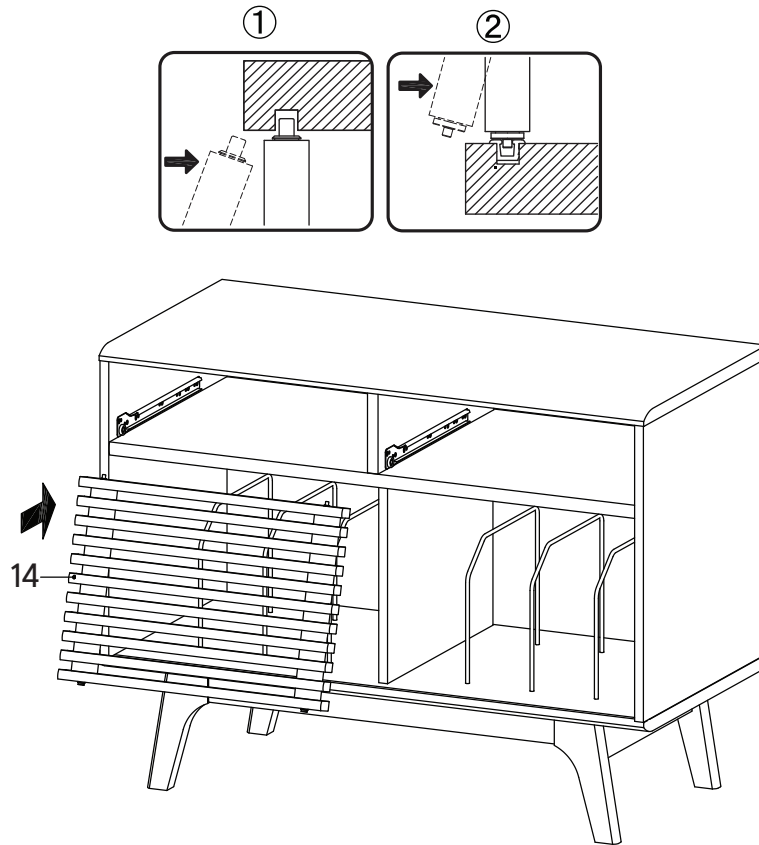
Step 18

HARDWARE

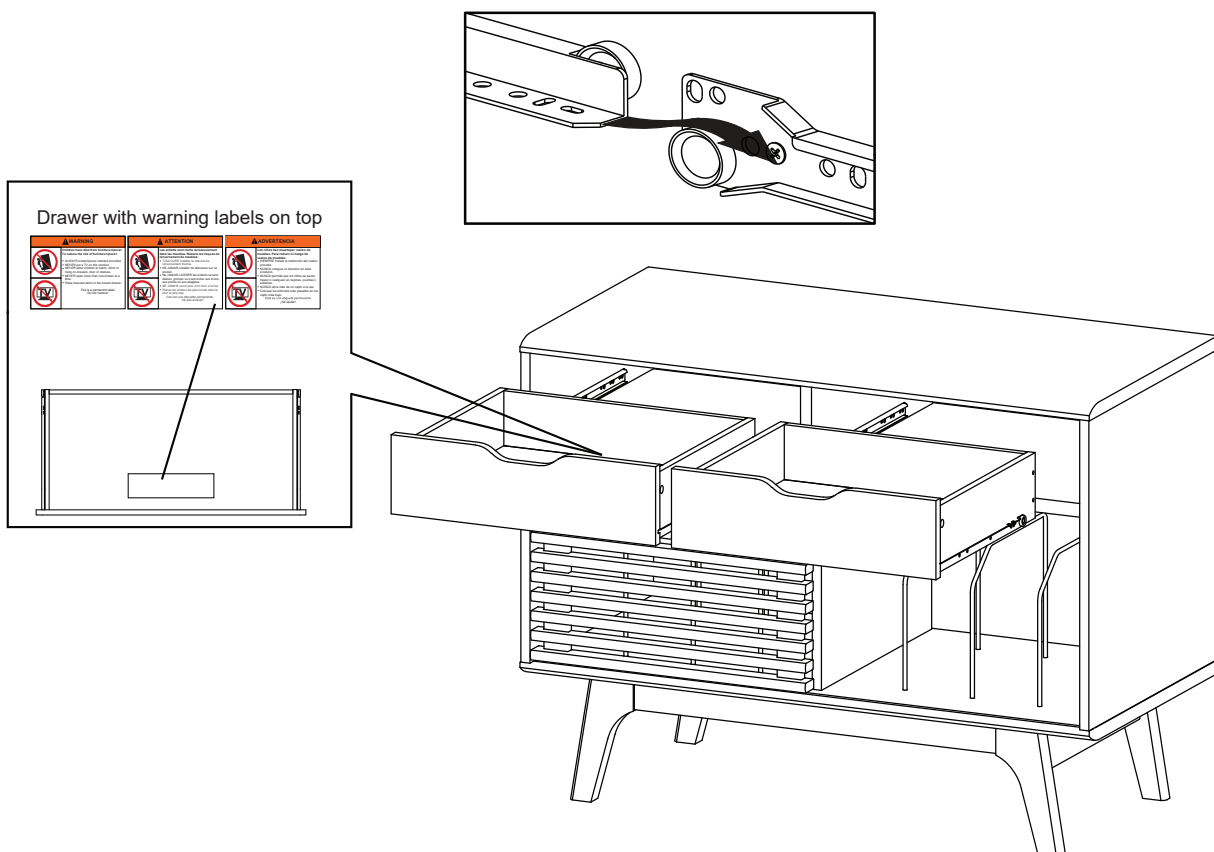
- I Sliding Door Pin- Top x2
- J Sliding Door Pin- Bottom x2
- K Silicon Bumper x2



Step 19



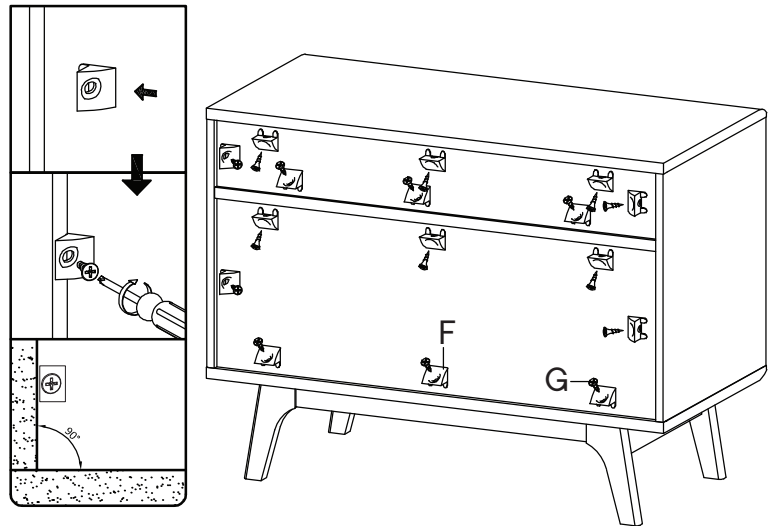
Step 20



Step 21

HARDWARE

- | | | |
|----------|-----------------------|-----|
| F | Wedge | x16 |
| G | Screw M 3.5 x 15.5 mm | x16 |



Great job!

Cabinet assembly is complete.

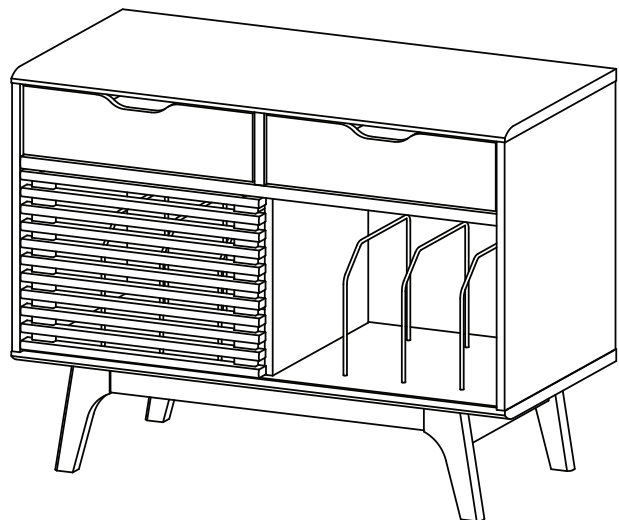
♥ CARING FOR YOUR ITEM

Indoor use only.

Not contract grade.

Clean using a non-abrasive cloth and a mild cleaner.

Never use harsh chemicals, as they could damage the finish or integrity of the item.



CONNECT WITH US!   

Tag us @modway_furniture and #modway for a chance to be featured.