

Shampoo Chair Instruction

SPARE PARTS LIST (Notice : Shampoo chair requires 2 boxes in total)

1/2 Main Components

Ax1 Chair backrest	Bx1 Chair Cushion
Cx1 Chair Base 1	Dx2 Chair Arm
Ex1 Chair Base 2	Fx1 Shampoo Holder
Gx1 Neck Pillow	Hx1 Head Holder

1/2 Accessories

Ix11	Jx2	Kx17	AAx2
Lx13	Mx4	Nx4	
Ox4	Px6	Qx4	

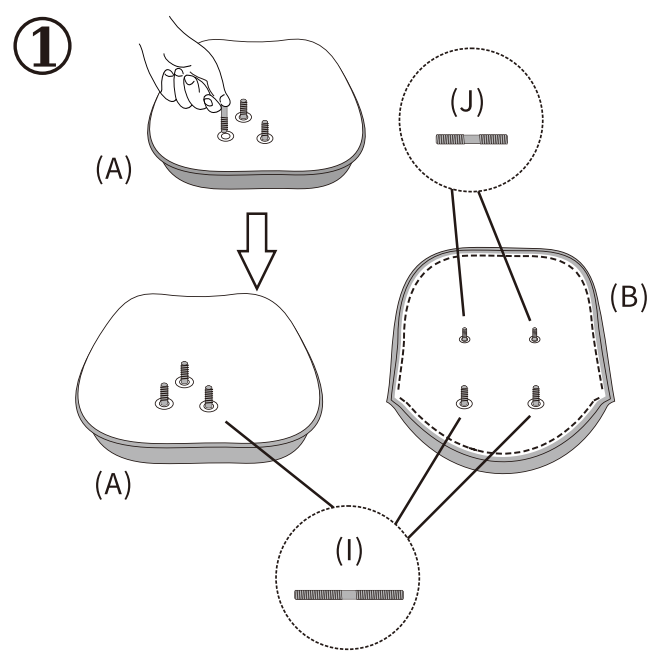
2/2 Main Component

Rx1 Basin Deck

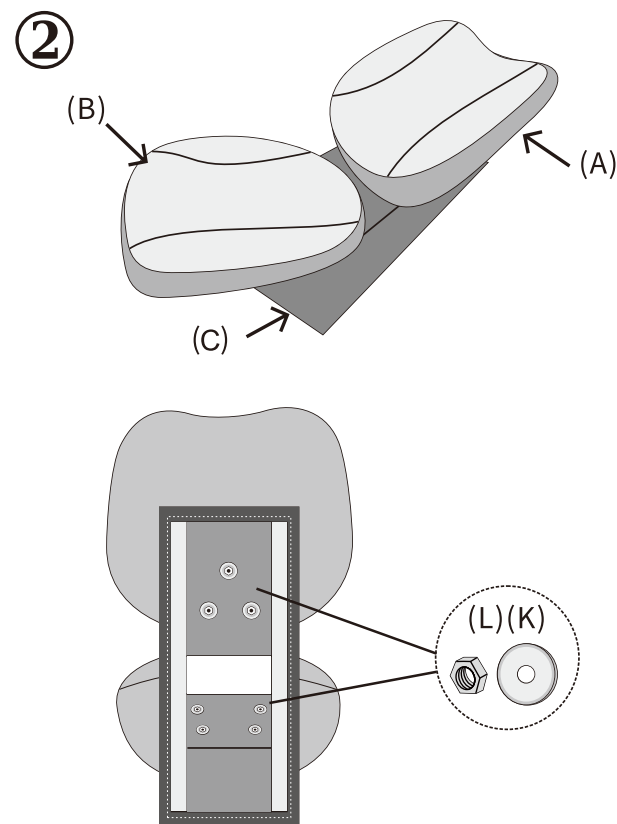
2/2 Accessories

Sx1 Mixed Water Inlet	Tx1 Shower Head	Ux1 Shower Head Pipe	V Rubber washer
Wx1 Valve	Xx1 Braided Hose	Yx1 Drainer Hose	V-1
			V-2
			V-3
		Zx1 Drain Opening	

Installation Steps

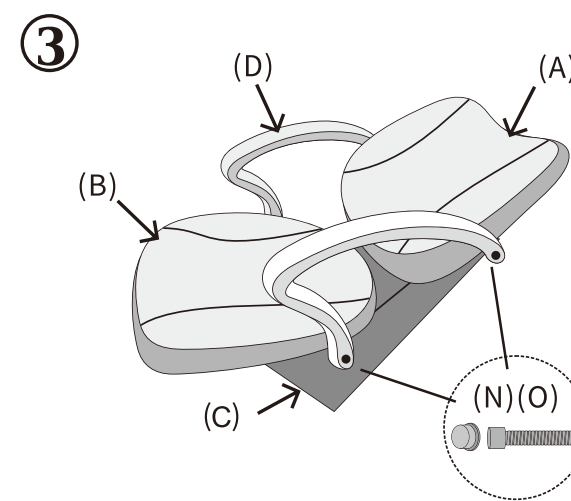


1. Tight (I) Screws fix on the back of Chair Backrest (A) , Then Fix (J) Screws and (I) screws on the back of Chair Cushion (B) according above operation.

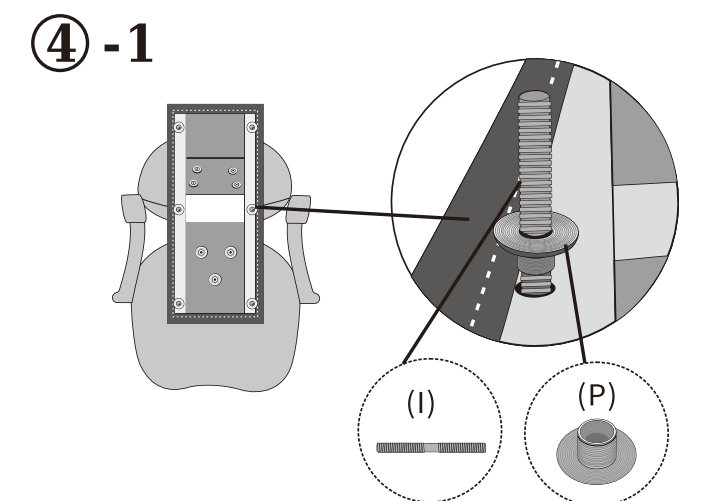


2. Place (B) and (A) on (C) , then use (L) and (K) make them together.

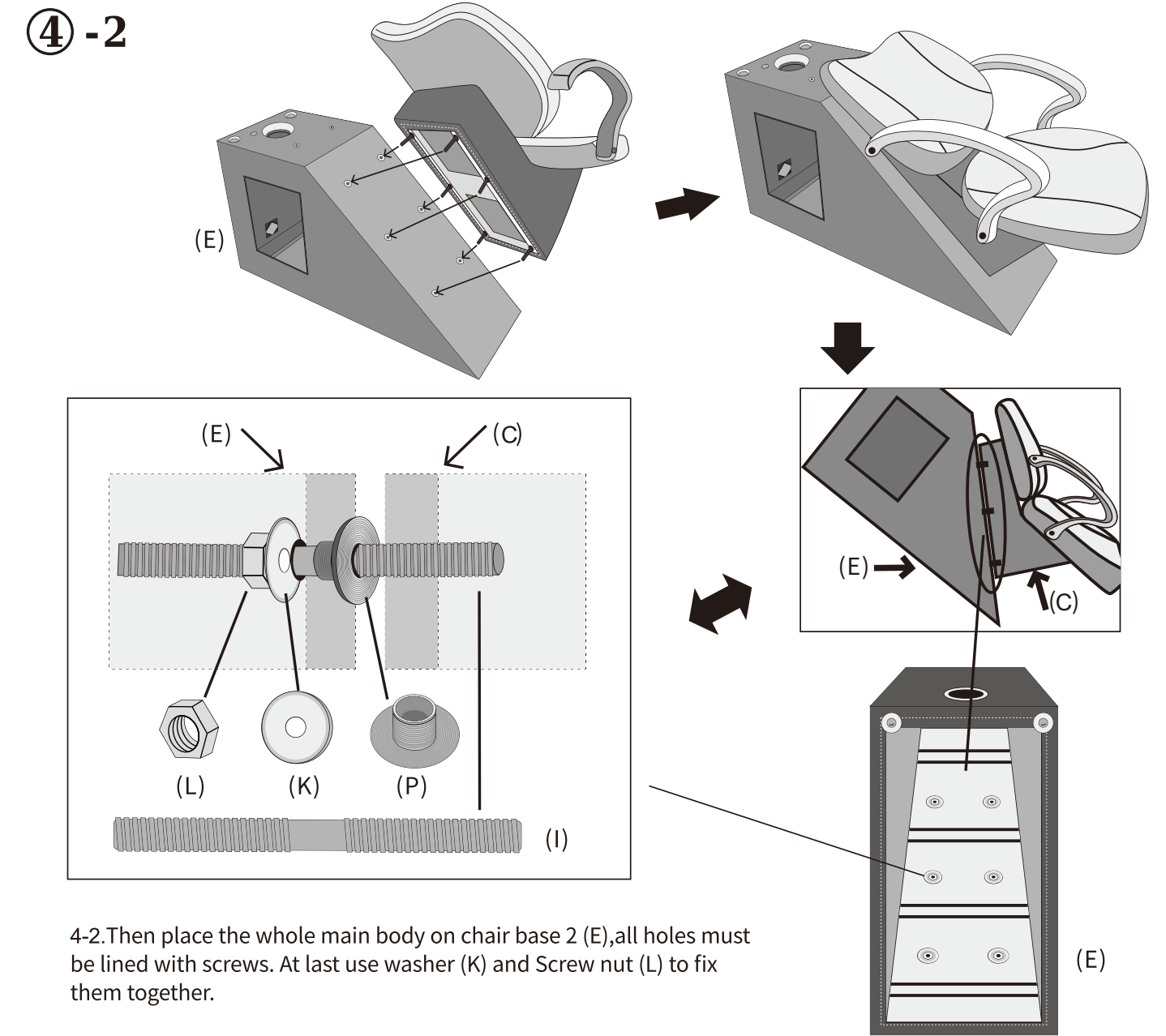
Page 1



3. Fix Chair arm by using (O) , then use (N) to cover the holes of screws.

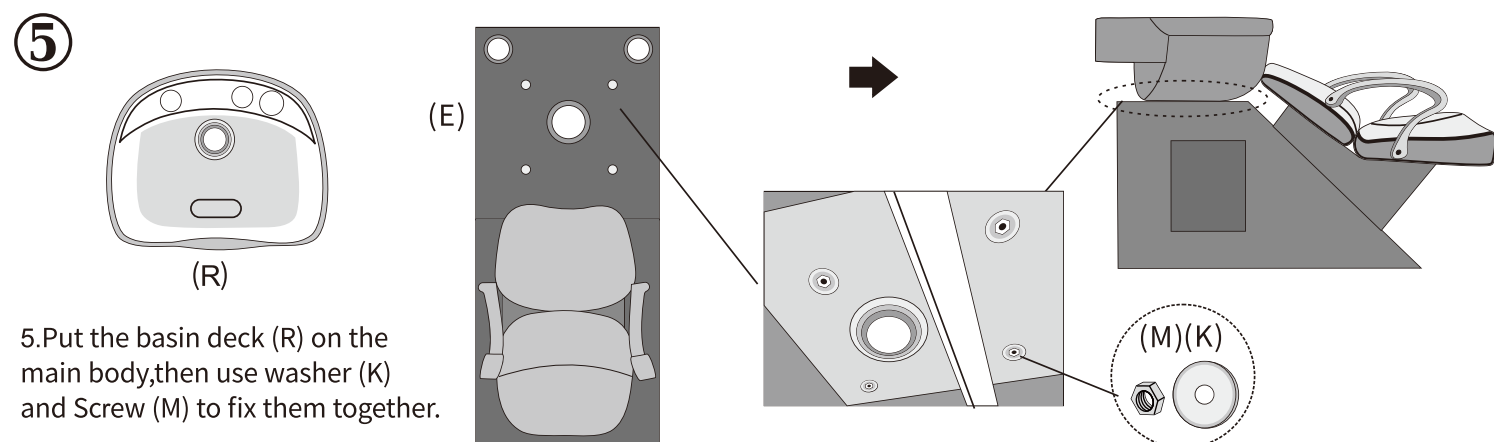


4-1. First Use (I) and (P) on the back of Chair base 1 (C) .

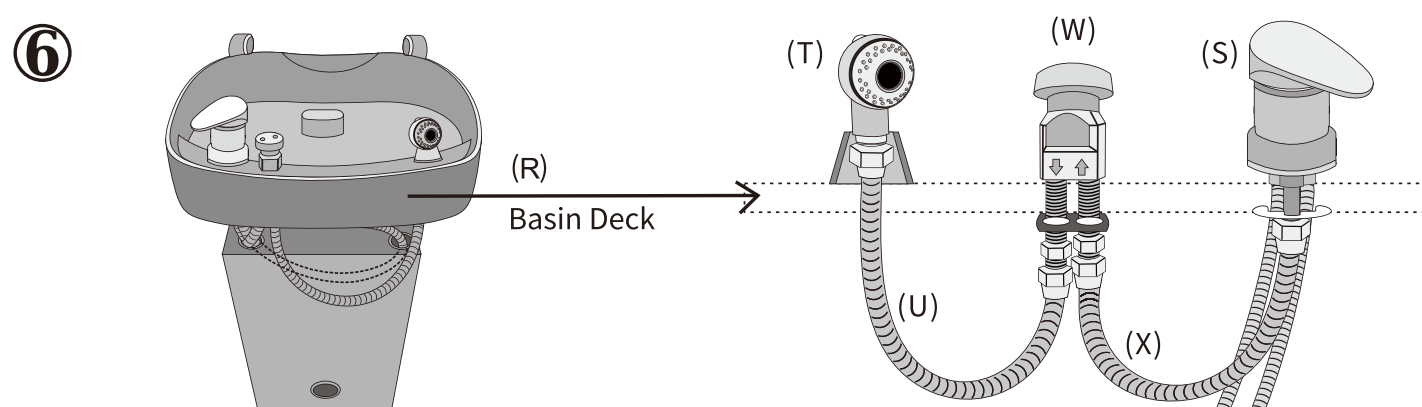


4-2. Then place the whole main body on chair base 2 (E) , all holes must be lined with screws . At last use washer (K) and Screw nut (L) to fix them together.

Page 2



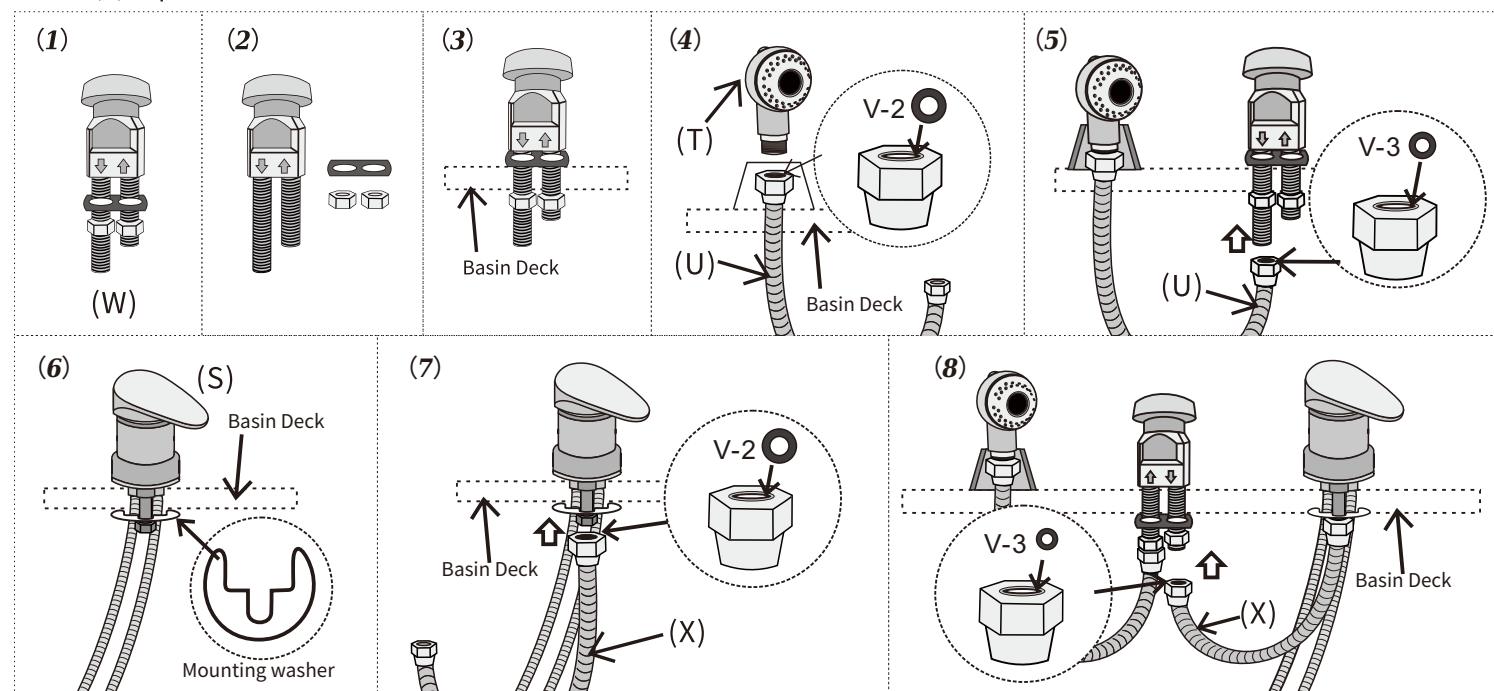
5. Put the basin deck (R) on the main body , then use washer (K) and Screw (M) to fix them together.



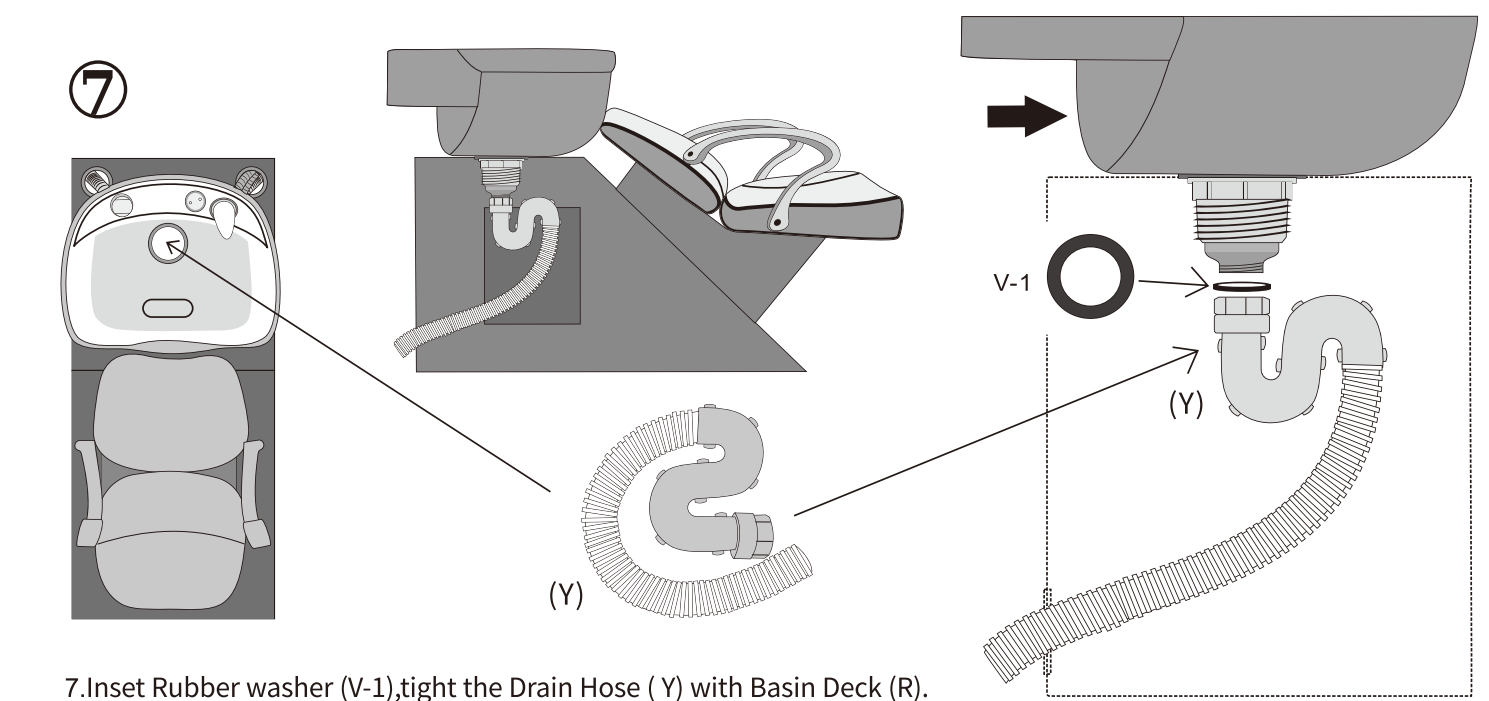
6-1. Screw down the two nuts of Valve (these nuts are self-contained) , then tight the Valve (W) and Basin Deck (R) with these two self-contained nuts.

6-2. Inset Rubber washer (V-2) then connect the Shower Head Pipe (U) with Shower Head (T) , put the Shower Head with pipe in to Basin Deck , And at the last , connect the end side of Shower Head pipe (U) with Valve (W) as picture shows .

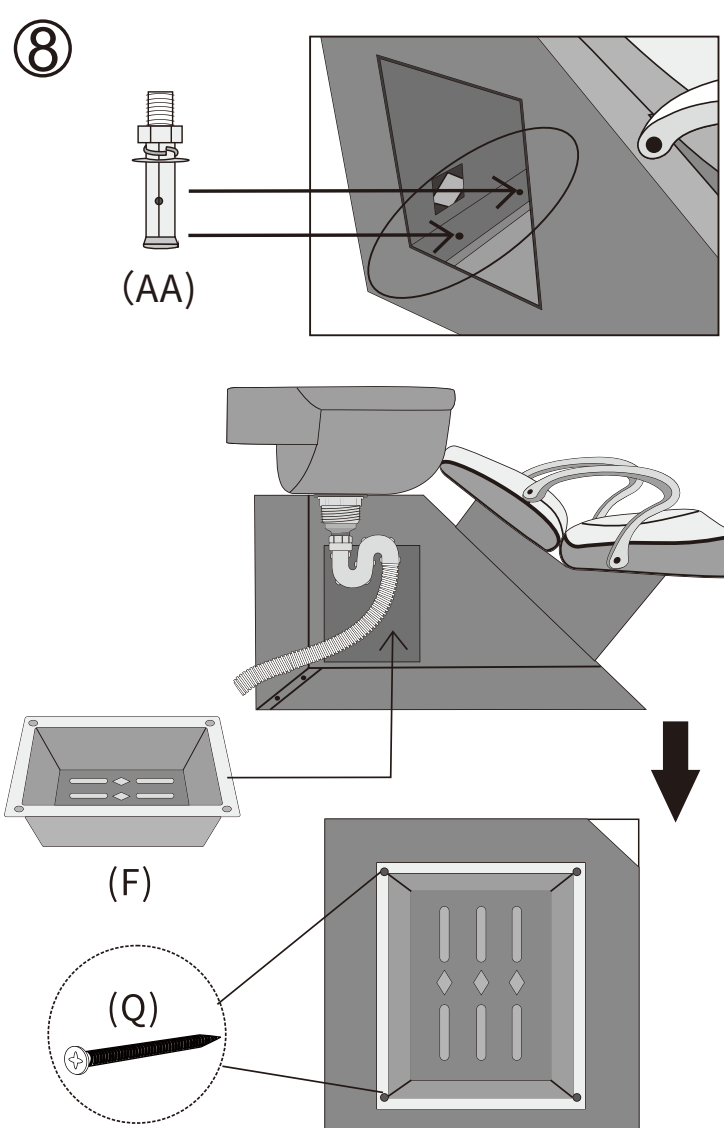
6-3. Take out the mounting Washer (As Picture show , which is Mixed Water Inlet self-contained) , then fix the Mixed Water Inlet (S) and Basin Deck (R) with this self-contained mounting washer . Last , connect the Mixed Water Inlet (S) with Valve (W) via Braided Hose (X) , with inserting rubber washers (V-2 , V-3) on the both end side of Braided Hose (X) as pictures show .



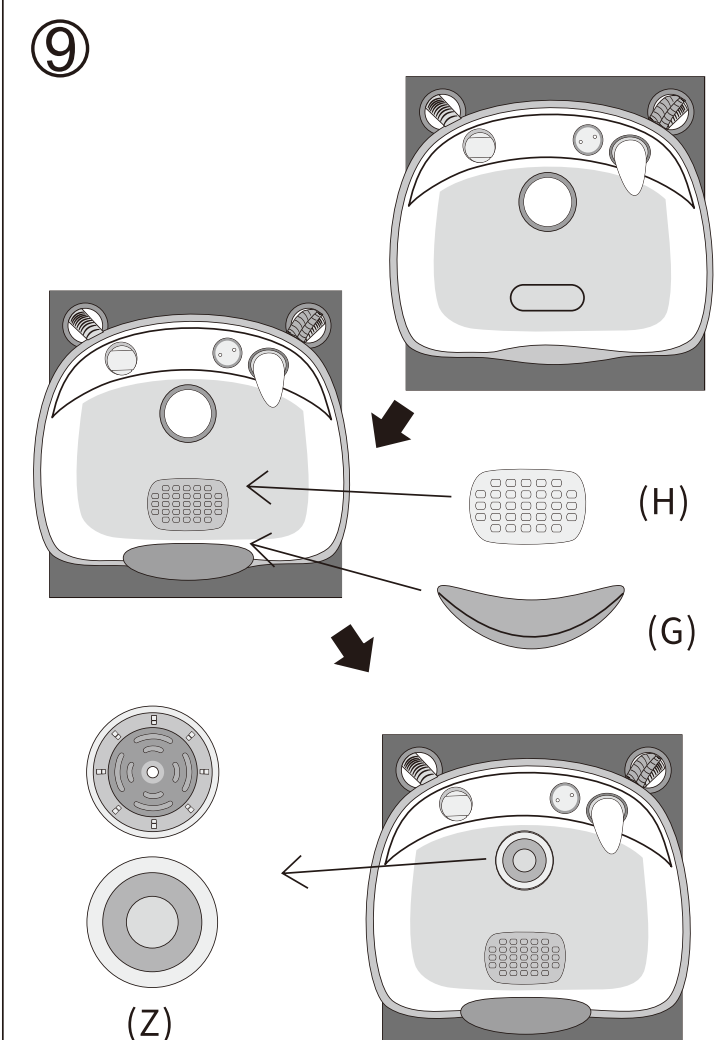
Page 3



7. Inset Rubber washer (V-1) , tight the Drain Hose (Y) with Basin Deck (R) .



8. Fix Shampoo Holder (F) by using screw (Q) . (If necessary please add another step between 7 and 8 steps , use (AA) to nail shampoo chair on ground as picture .)



9. Set the Neck Pillow (G) , Head Holder (H) and Drain Opening (Z) at the right position .

Page 4