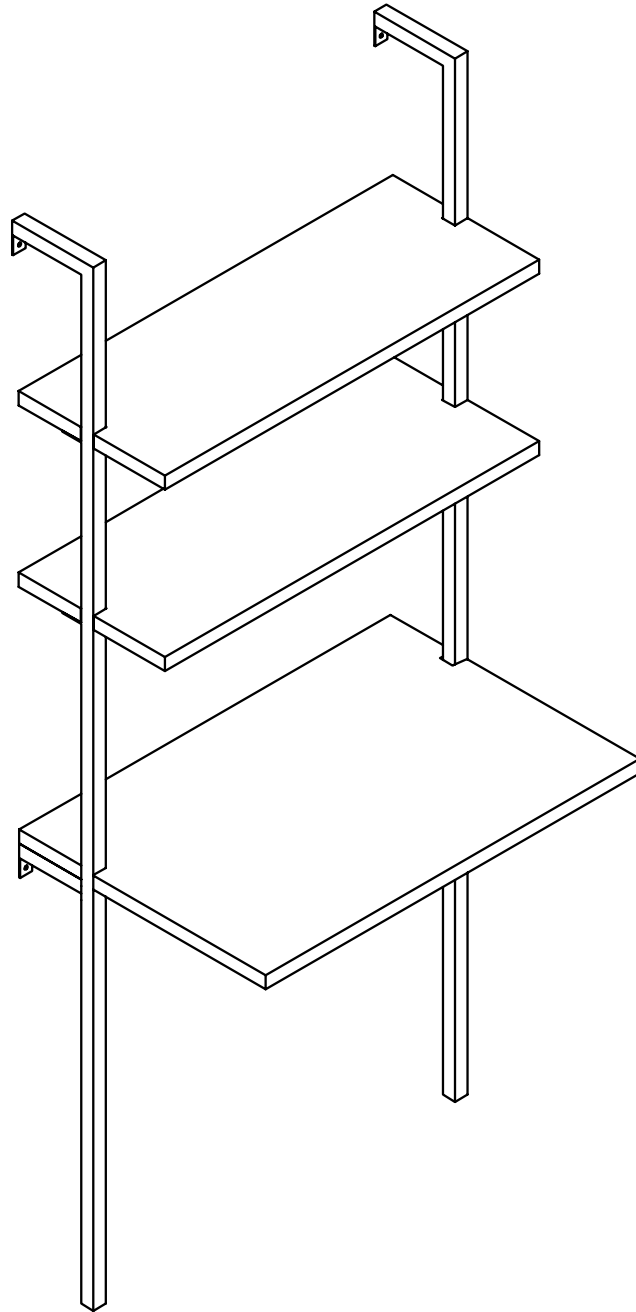


Let's build the

Desk



Ok, let's get rolling

This should be easy, just follow our instructions

Estimated time for assembly



30:00

What you need

- Some of your favourite bubbly or your preferred relaxant
- Use the packaging carton as a working surface to prevent product damage during assembly
- Phillips head screwdriver (not included)
- Drill (not included)
- 1/4" Drill bit (not included)
- 5/16" Drill bit (not included)

Weight Limitation

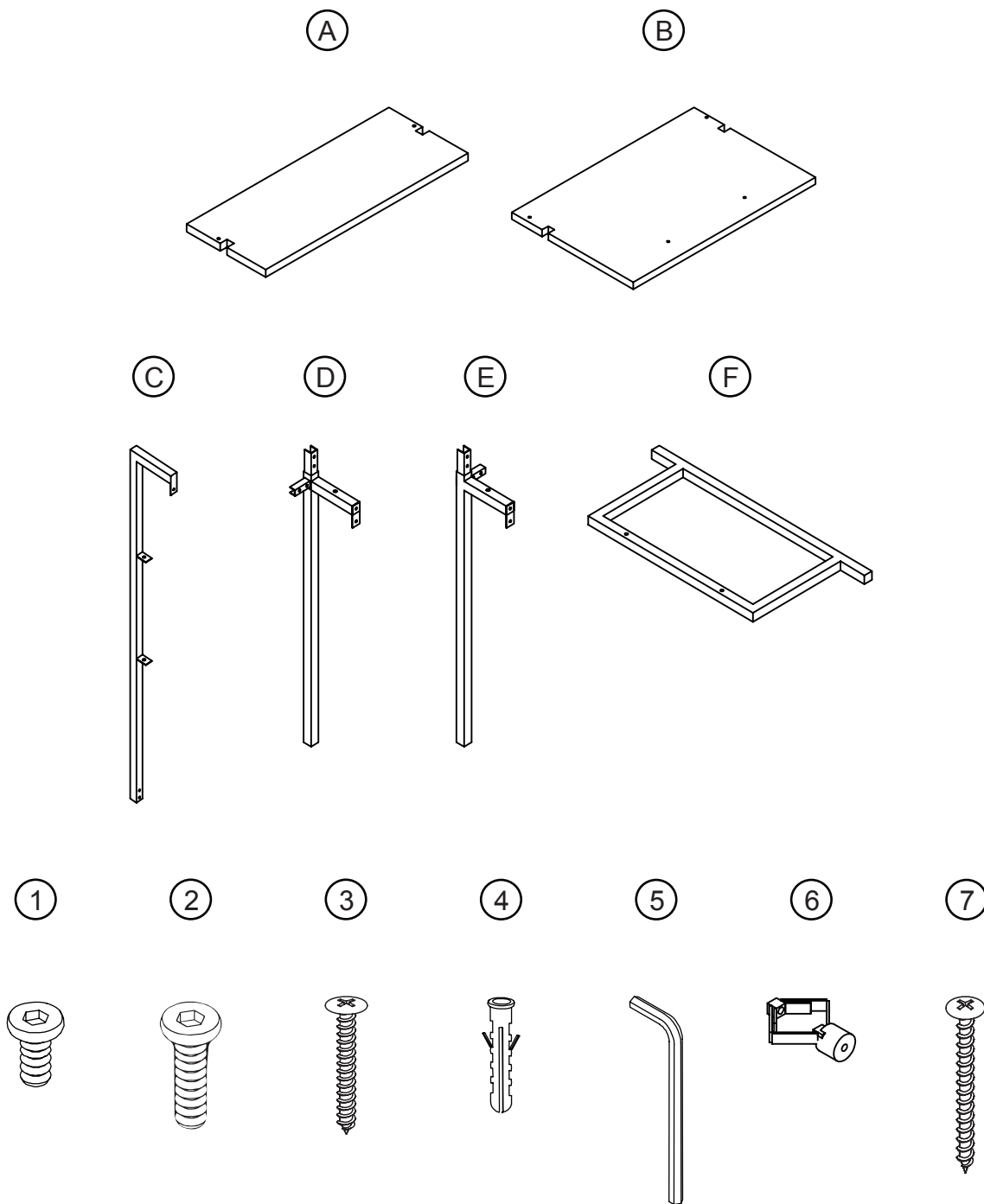


55
lbs per shelf

What's included

Description	Qty
A Shelf	2
B Writing Panel	1
C Left & Right Upper Metal Support	2
D Left Lower Metal Support	1
E Right Lower Metal Support	1
F Metal Support Frame	1
1 M6*15mm Bolt	12
2 M6*35mm Bolt	4
3 M4.2*32mm Screw for Non-drywall Anchor	4
4 M6*30mm Non-drywall Anchor	4
5 Allen Key	1
6 Drywall Anchor	4
7 M4.2*50mm Screw for Drywall Anchor	4

The goods

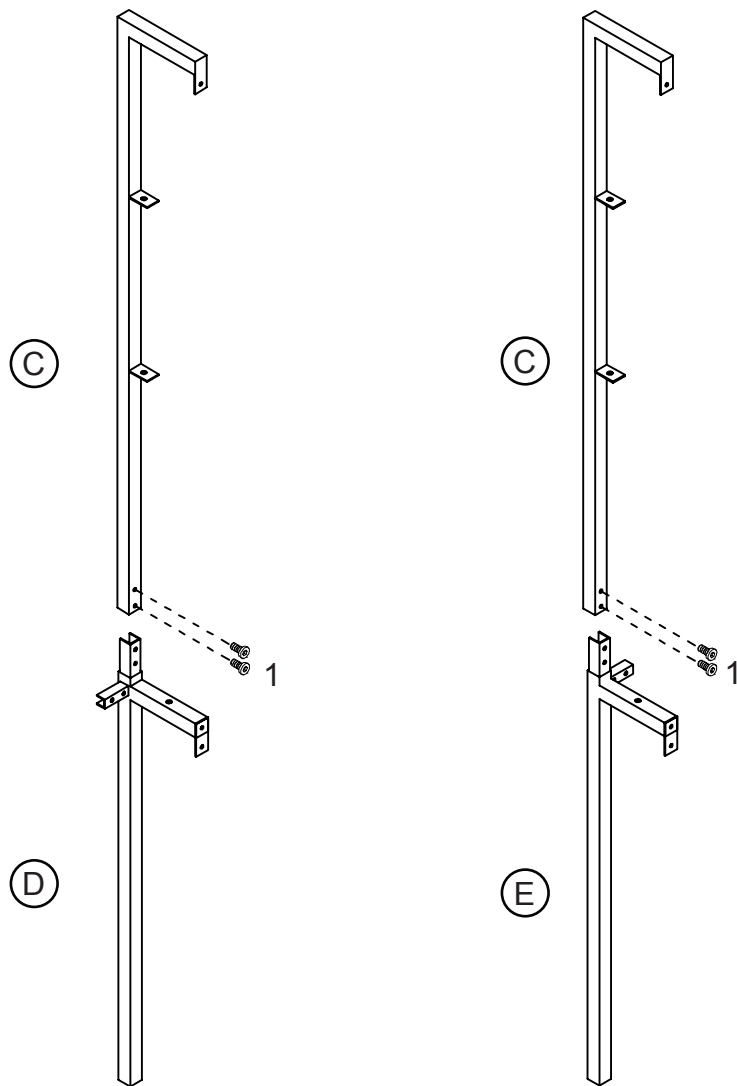


IMPORTANT

1. Do not tighten bolts / screws completely until all bolts / screws are lined up and inserted into holes.
2. Do not over tighten screws and bolts to avoid stripping.
3. Please use hand tools to assemble this product. Do not use power tools.

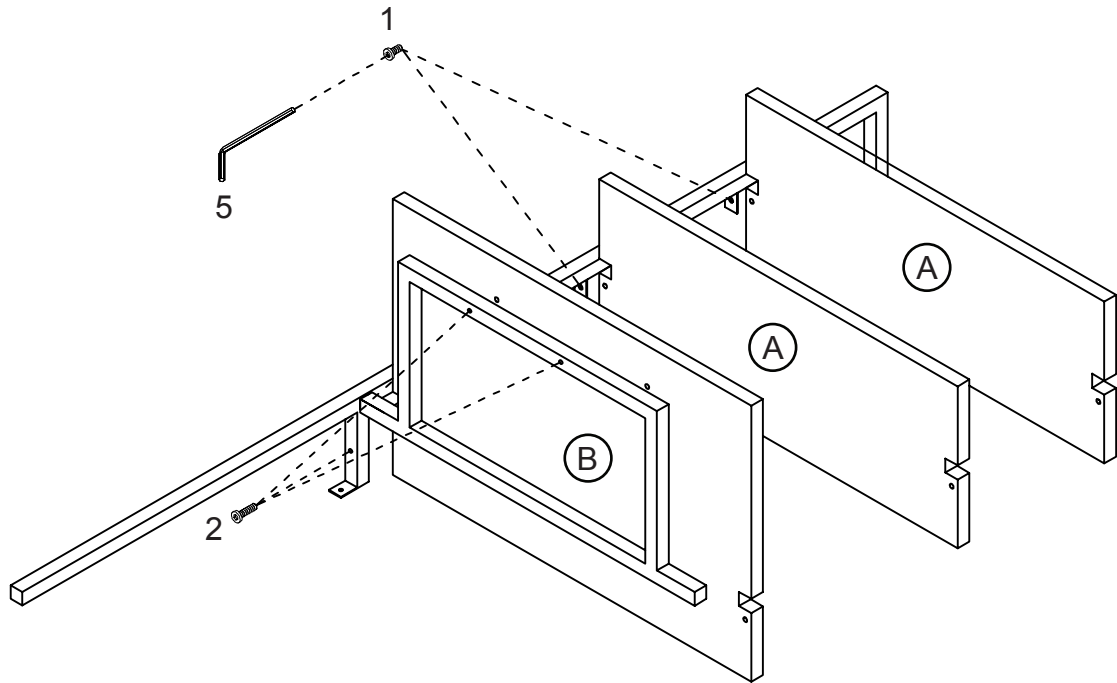
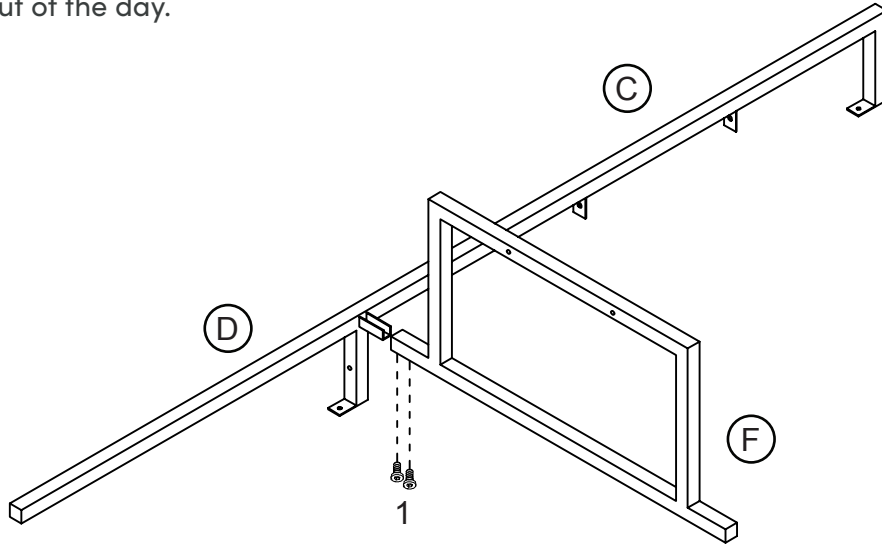
Step 1

Let's get this thing fired up!
Assemble the side supports.



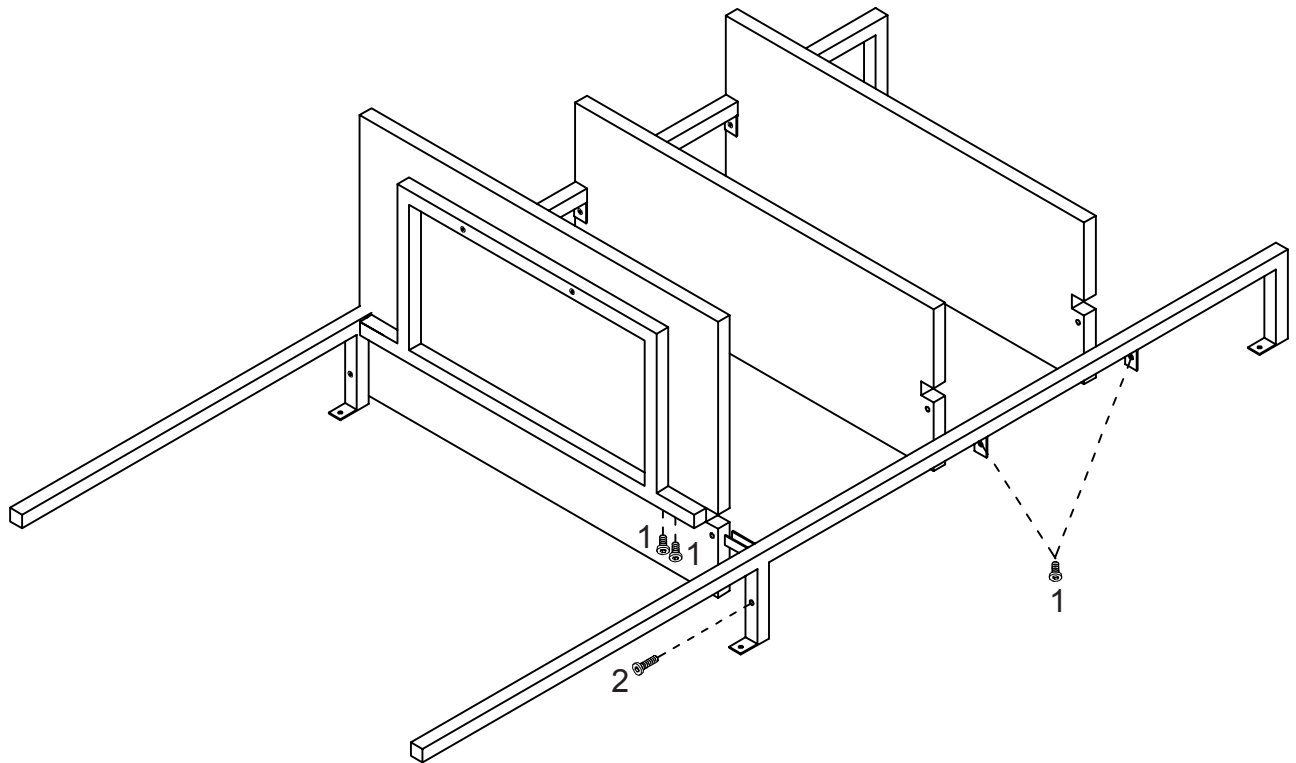
Step 2

Let's get those shelves in place! Consider this your workout of the day.



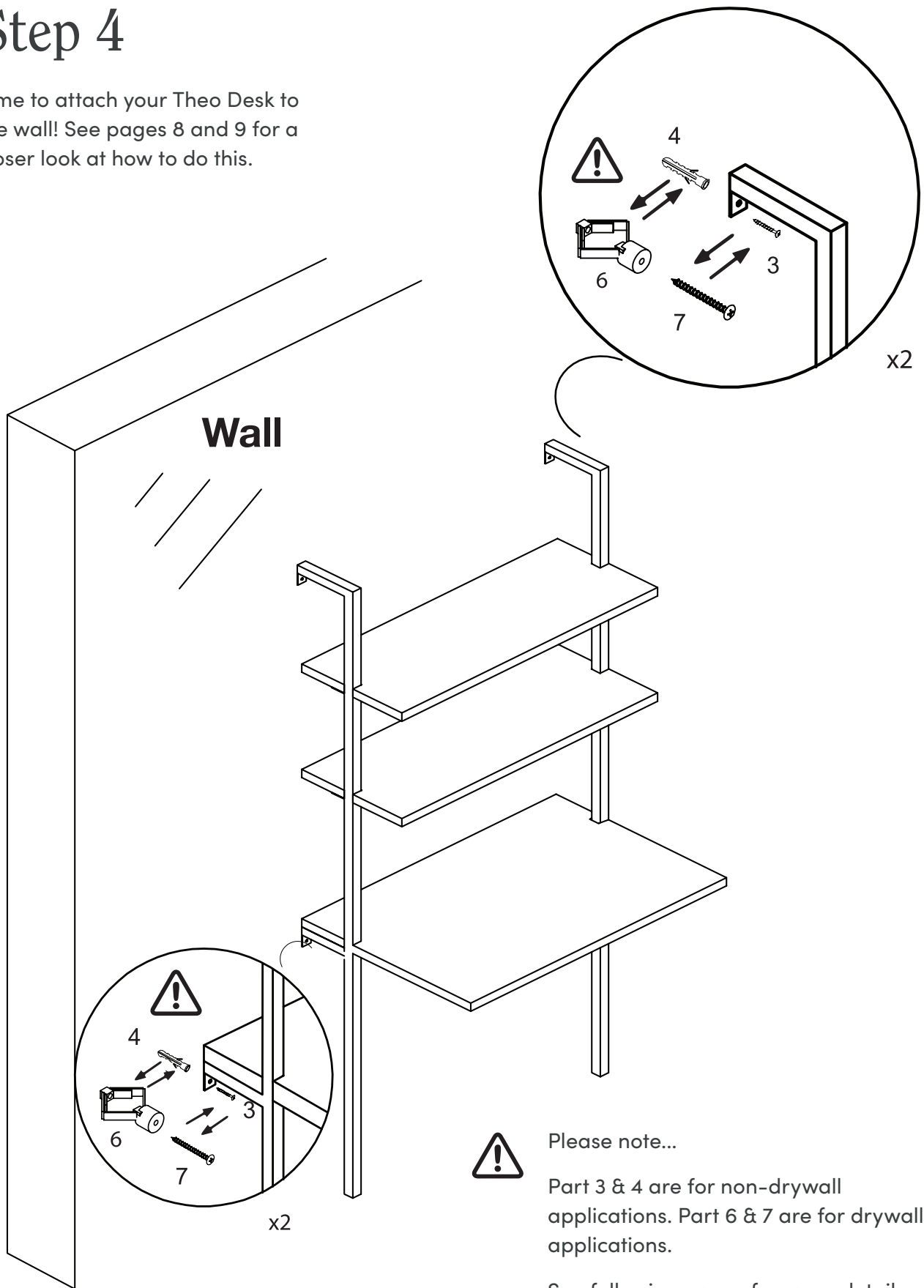
Step 3

Attach the second side supports to the shelves.
You're halfway there!



Step 4

Time to attach your Theo Desk to the wall! See pages 8 and 9 for a closer look at how to do this.



Please note...

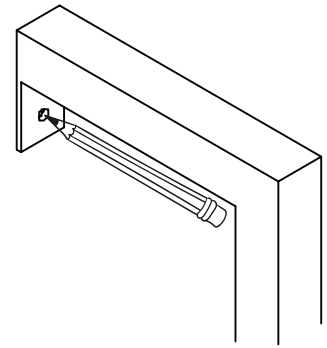
Part 3 & 4 are for non-drywall applications. Part 6 & 7 are for drywall applications.

See following pages for more details.

Step 4 (cont.) Non-drywall application

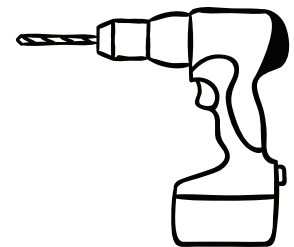
Mark it

Chose your desired location on the wall, have your friend hold the bookcase in place and use a pencil to mark where the anchors will go.



1/4" Drill bit

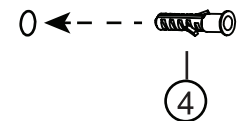
Move bookcase to the side and following the marks you just made, with a 1/4" drill bit, drill 4 holes into the wall.



Insert the anchors

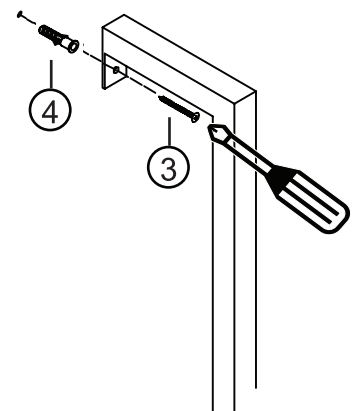
Go ahead and tap the wall anchors into place in the new holes that you just drilled.

If you're feeling strong, just go ahead and push it in.



All about the angle

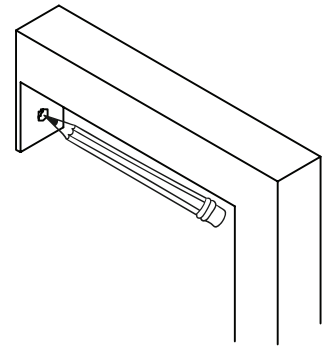
Insert 1 screw through each metal bracket and into the drywall anchor. Tilt your phillips head screwdriver, and secure but do not over tighten.



Step 4 (cont.) Drywall application

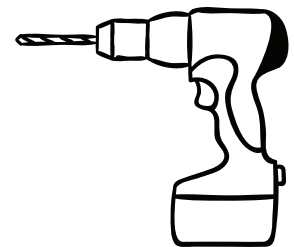
Mark it

Chose your desired location on the wall, have your friend hold the bookcase in place and use a pencil to mark where the anchors will go.



5/16" Drill bit

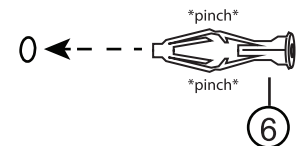
Move bookcase to the side and following the marks you just made, with a 5/16" drill bit, drill 4 holes into the wall.



Insert the anchors

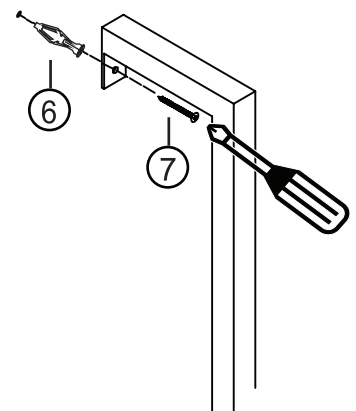
Go ahead and tap the wall anchors into place in the new holes that you just drilled.

If you're feeling strong, just go ahead and push it in.



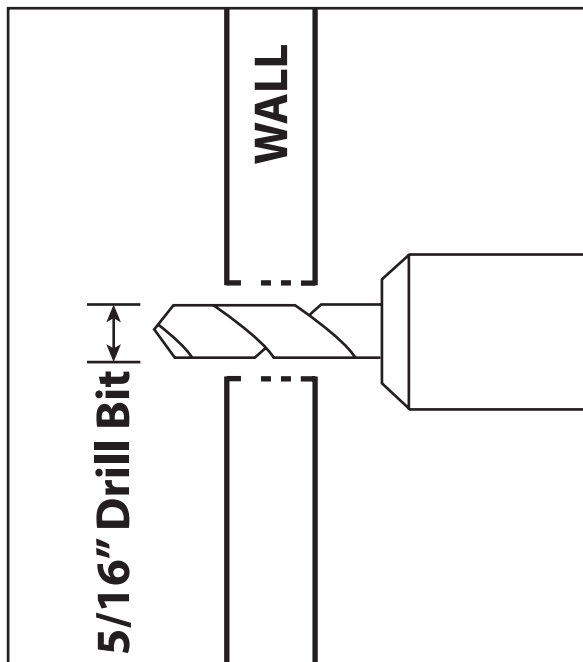
All about the angle

Insert 1 screw through each metal bracket and into the drywall anchor. Tilt your phillips head screwdriver, and secure but do not over tighten.

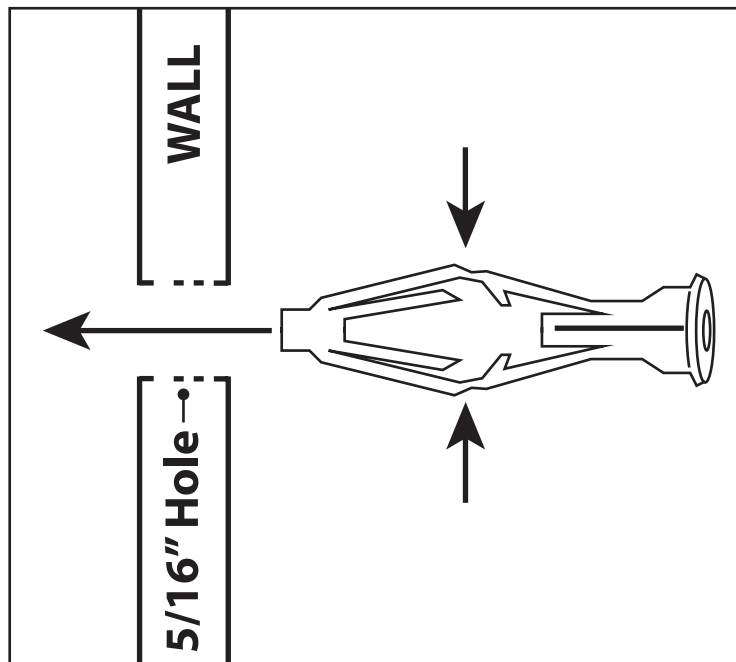


Step 4 (cont.)

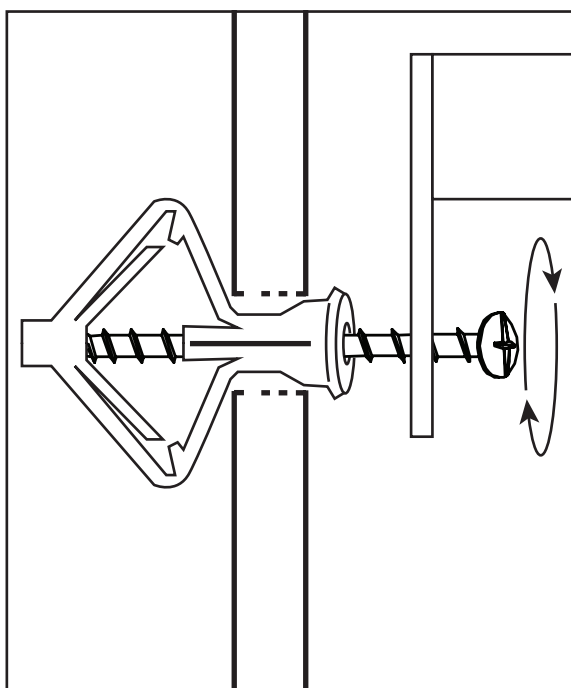
How to use drywall anchors



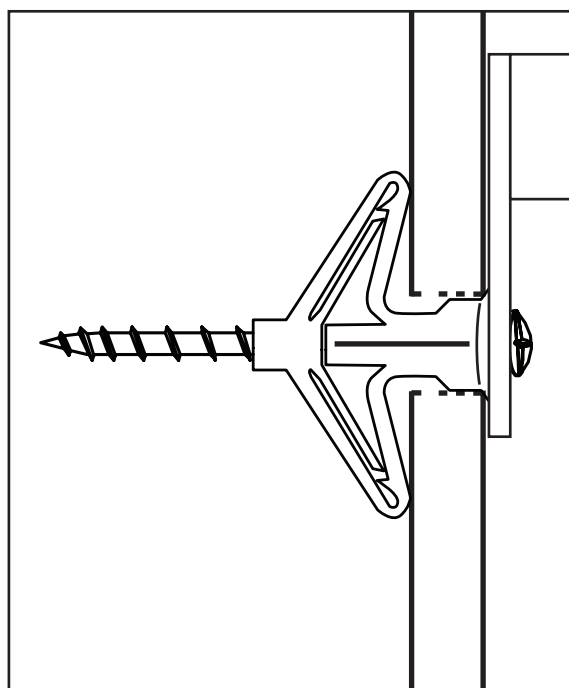
1. Drill hole with 5/16" bit



2. Pinch and insert



3. Begin tightening



4. Tighten to 100%

Safety first, fun later

We want your Theo Desk to last as long as possible, so we recommend that you tighten the screws 2 weeks after assembly and for added safety check the tightness of all screws every 2 months.

Safe use of this product starts with you.

Use this desk responsibly with the primary concern for your safety. Follow assembly instructions carefully and inspect product upon receipt and each use.

its parent companies cannot be held legally responsible for any injuries or death resulted from failure to follow instructions or improper use of this product.

Do not modify the structure of this product in any way.

Our products have been tested to meet specific safety measures as they were originally intended to be sold. Any modifications will present the risk of creating significant safety issues which will not be responsible for.

Proper use

- DO NOT** use for commercial purposes
- DO NOT** place on uneven floor or surface
- DO NOT** use as a step-stool or stand on desk
- DO NOT** put hot serving liquid directly on desk
- DO NOT** leave spilled liquid on desk
- DO NOT** use if desk is damaged or broken
- DO NOT** make temporary repairs
- DO NOT** use outdoors

We are only in business if you're happy

For starters, thanks for being you.

We do our best to ensure your furniture arrives without any problems, but occasionally mistakes happen—as humans we are imperfect beings. In the event that a part is damaged or missing, we will be more than happy to provide you with replacement part(s) for free.

Warranty

This product comes with a lifetime warranty from the date of purchase.