

Thank you for your purchase! It is our desire to make your entire experience from purchase to installation as easy as possible. We ask that you read each step of this installation manual thoroughly to ensure proper installation of your new Noguchi Style Glass Table. Our installation techniques are very important. Installing your table in any manner other than the steps outlined in this manual may lead to structural failure of your table.

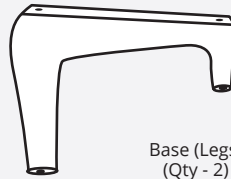


It is your responsibility to see that your Glass Table is properly assembled, installed, and cared for. Failure to follow instructions in this manual could result in serious injury. Use this product with Glass cautions.

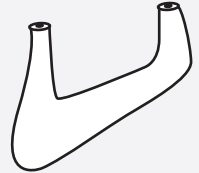
Hardware Included with this order



Rod
(Qty - 3)



Base (Legs)
(Qty - 2)



Plastic Cap
(Qty - 3)



Steel Cap
(Qty - 3)

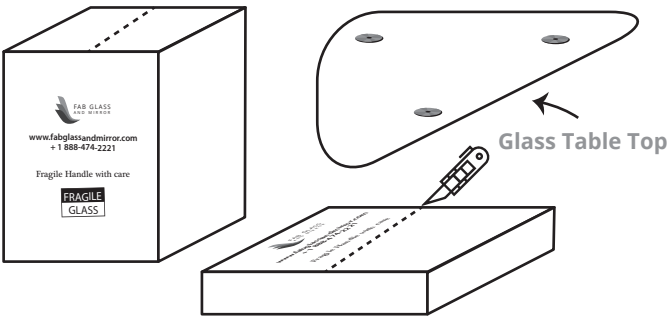


Separator
(Qty - 1)



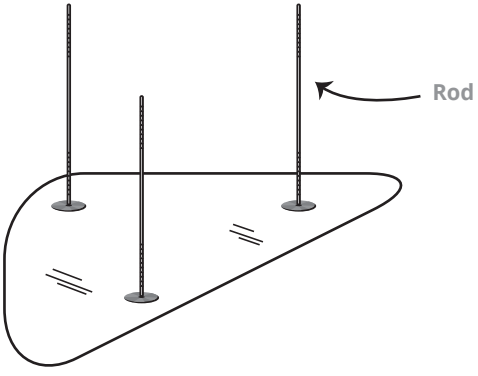
Tighten Key
(Qty - 1)

1



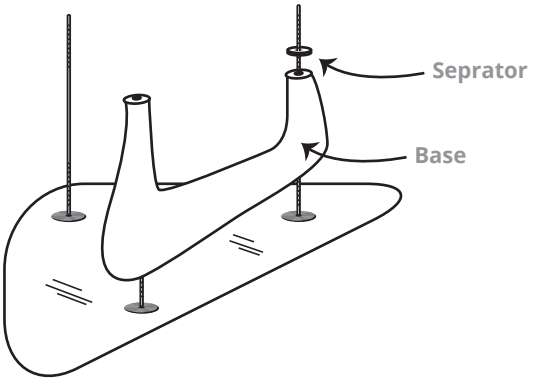
By using your cutting tool, carefully open the package and remove the table and hardware.

2



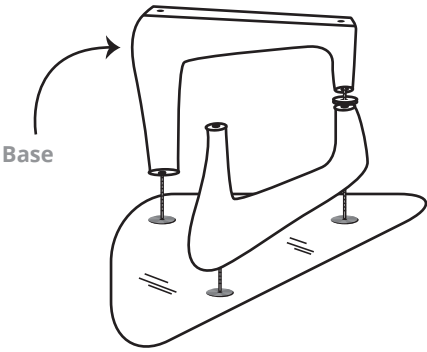
Set the Glass table top side down on a flat surface, and screw the included rods into their mounting sockets.

3



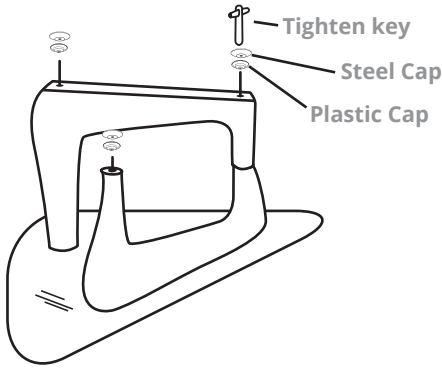
Slide one base leg over the two rods of the table as shown in illustration, and place the separator disk over the rod towards the narrowest end of the table.

4



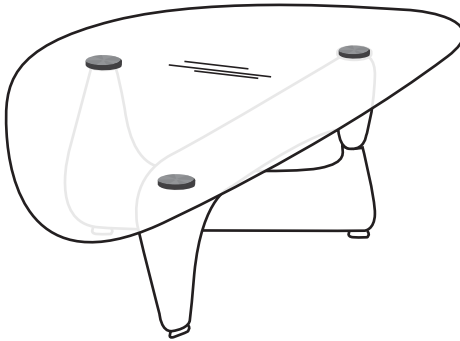
Slide the second base leg over the rods, with the short end of the leg over the rod with the separator disk.

5



Place the steel end caps over the tips of the rods extending from the base legs, then the three plastic protective covers. Tighten all three with the included tool.

6



Congratulations!
You have successfully assembled your
Noguchi Style Coffee Table.