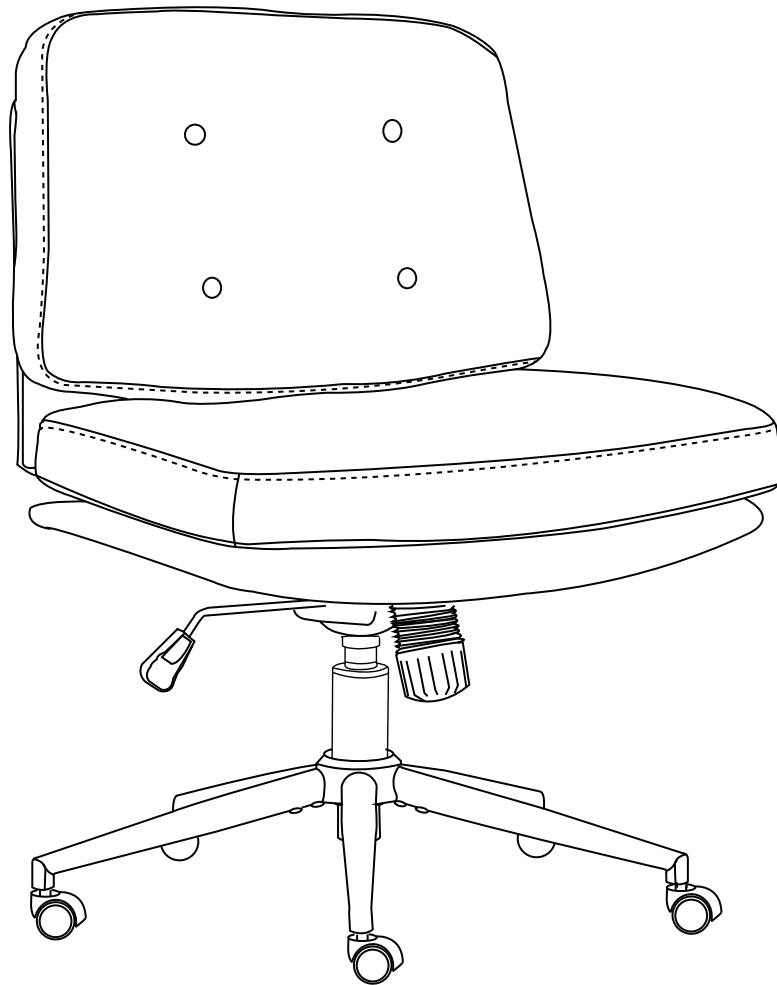


Assembly Instructions



Thank you for your purchase.

⚠ Pls check all parts are included before assembly!

Pls follow these steps in order:

1) Base and wheels first, Backrest and seat next.

⚠ 2) **Only insert the gas lift when satisfied with the chair and sure you want to keep it.**

★ Note that once the gas lift is in, it may be difficult to disassemble and fit its original packaging, which may restrict the possibility of returns. ★

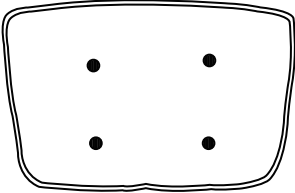
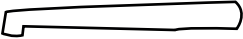
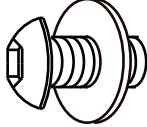
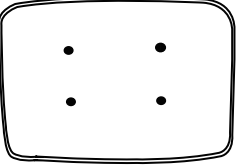
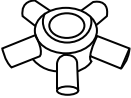
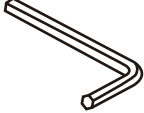

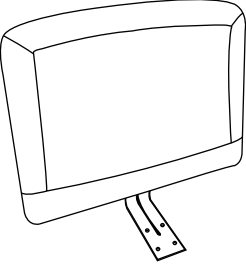
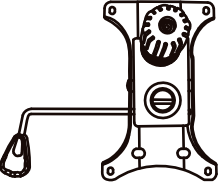
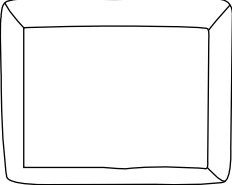
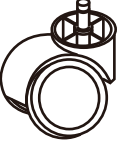

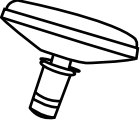
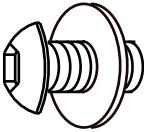
After-Sales Service:

For any questions or issues, feel free to contact us via the purchasing platform.

Customer Service team will work hard to put a smile back on your face.

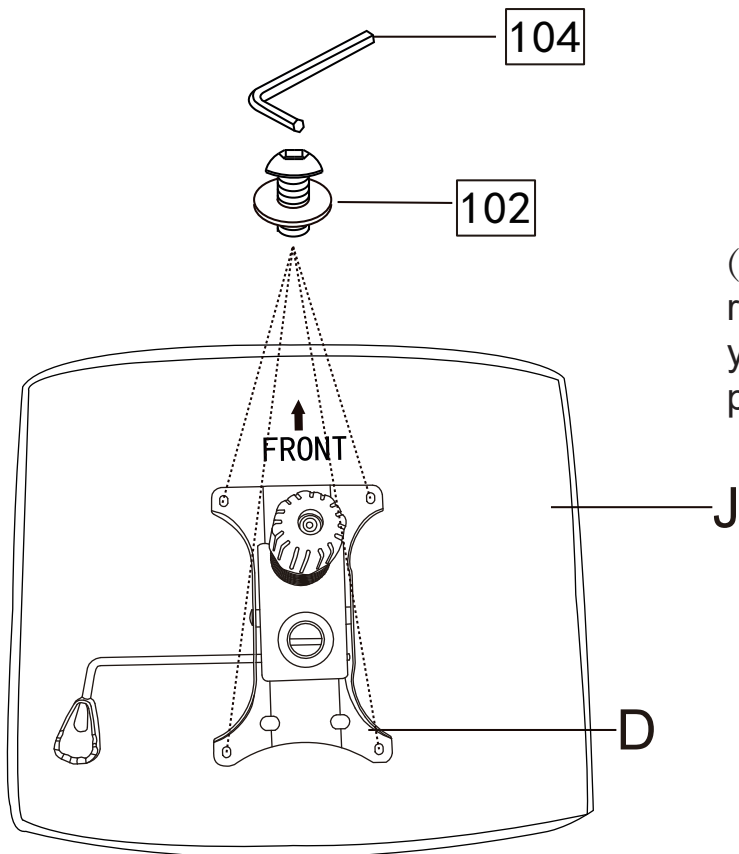
Thank you for your cooperation and stay safe~

Part List

<p>A x 1</p> 	<p>G x 5</p> 	<p>103 x 4+1</p> 
<p>B x 1</p> 	<p>H x 1</p> 	<p>M6*30</p> <p>104 x 1</p>  <p>M6</p>
<p>C x 1</p> <p>!!! Final assembly!</p> 	<p>I x 1</p> 	
<p>D x 1</p> 	<p>J x 1</p> 	
<p>E x 5</p> 	<p>101 x 5+1</p> 	
<p>F x 5</p> 	<p>M6*12</p> <p>102 x 4+1</p> 	<p>M6*20</p>

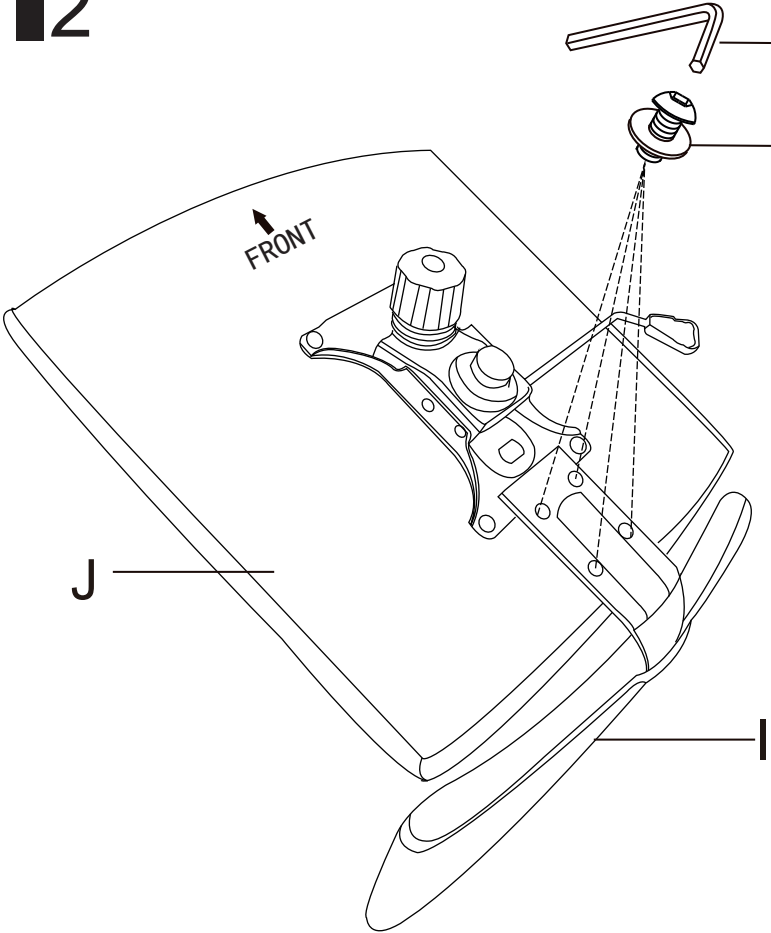
Installation Steps

1



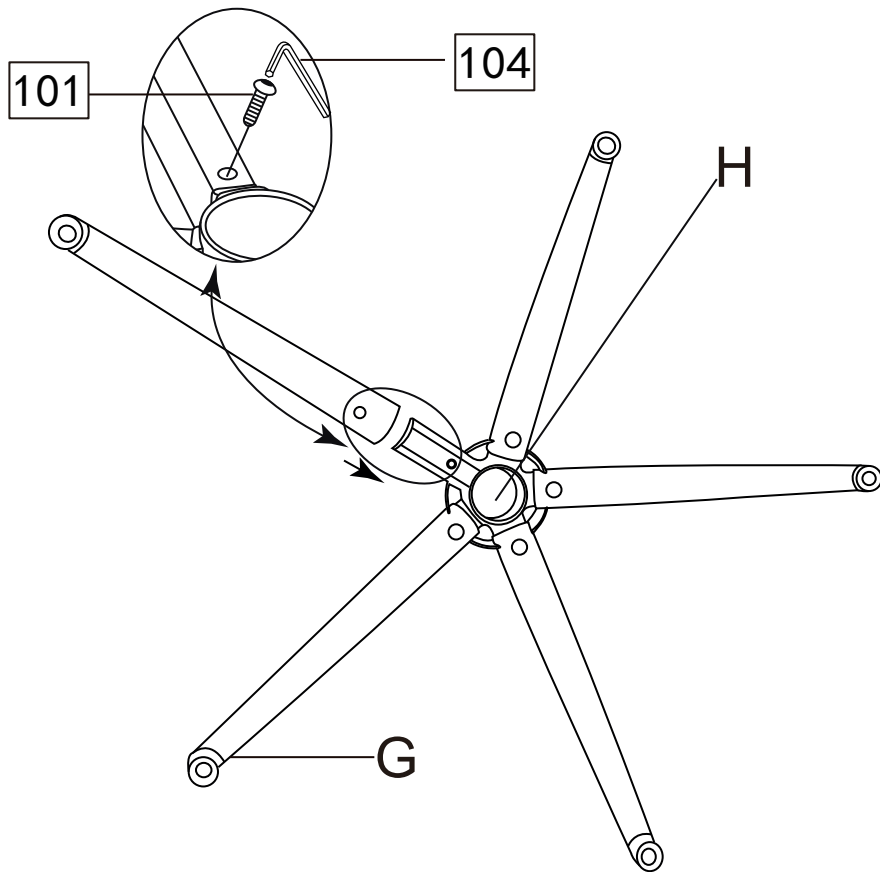
(Don't screw 100% until all of them are right in the holes so that you can adjust slightly during the process of assembly.)

2

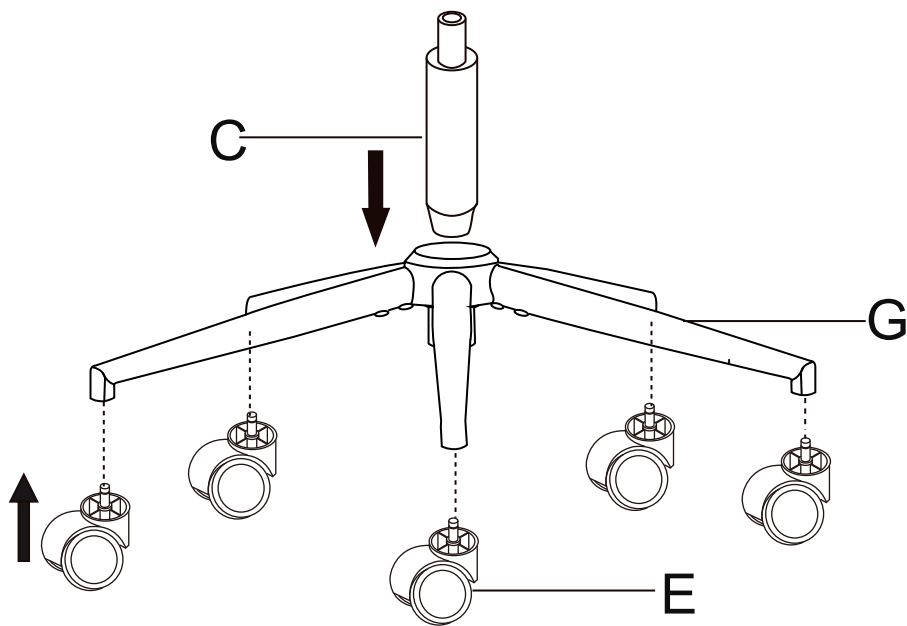


(Don't screw 100% until all of them are right in the holes so that you can adjust slightly during the process of assembly.)

3



4

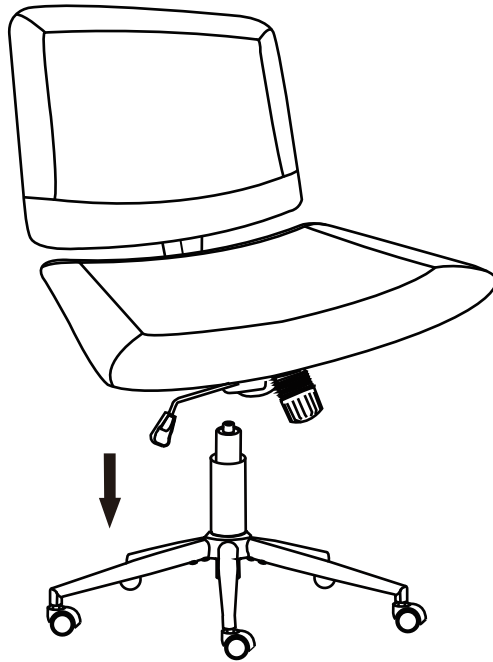


5

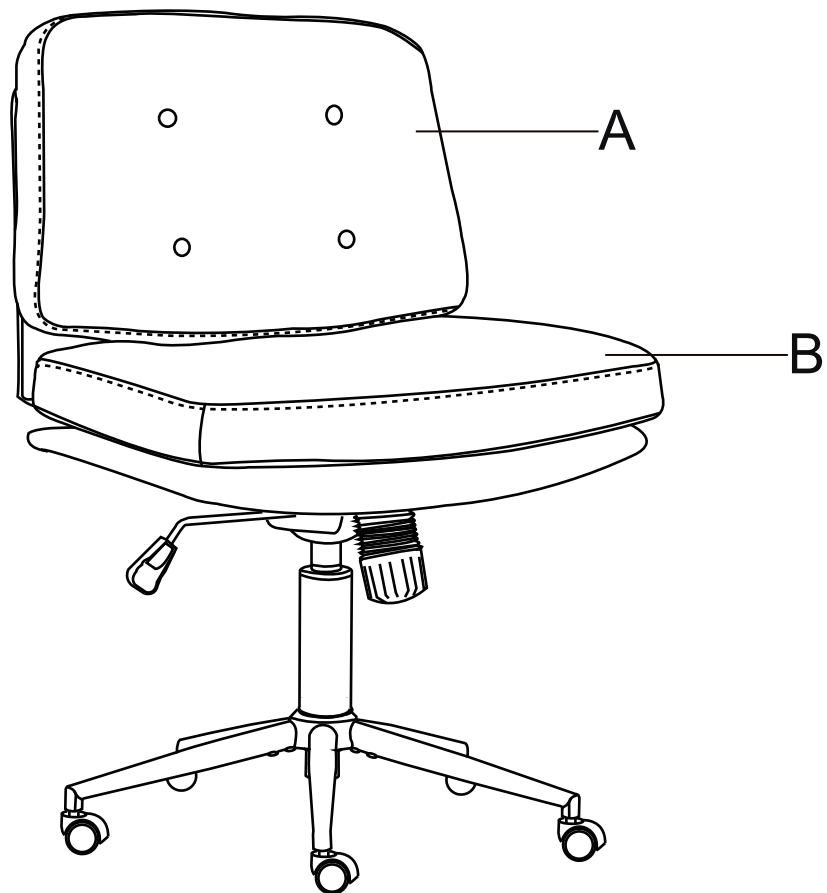
⚠⚠⚠ Confirmation of satisfaction with the base, seat, materials, color and so on, and confirm that you wish to keep it, then you insert the gas lift.

Note that returns will not be easy after this step!!

(as the gas lift is hard to remove and stops fitting into its original box, which means it will not be eligible for shipment.) !!!



6



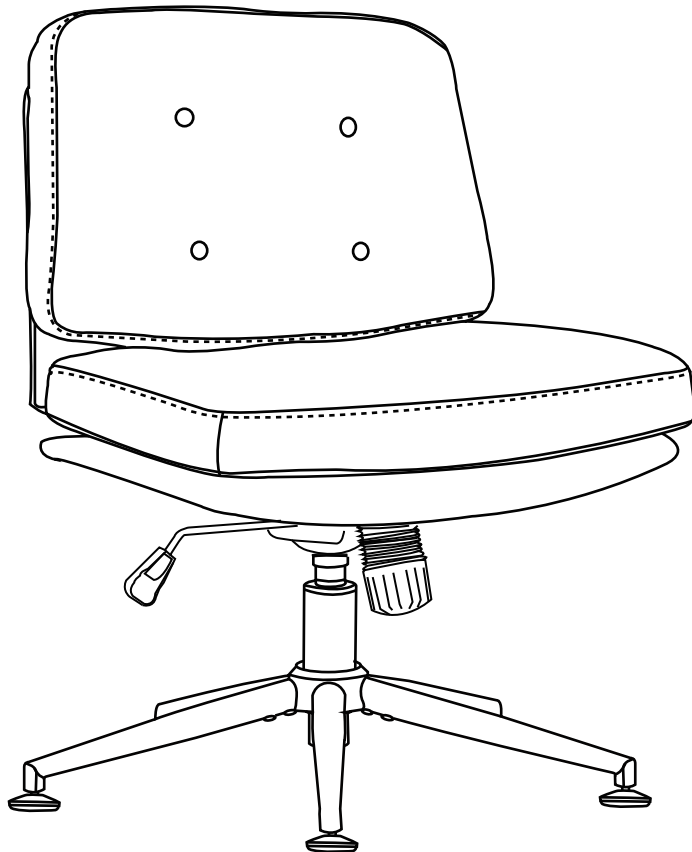
17



If you don't want the chair to move freely, unplug (F) and plug in footrests to make it happen.

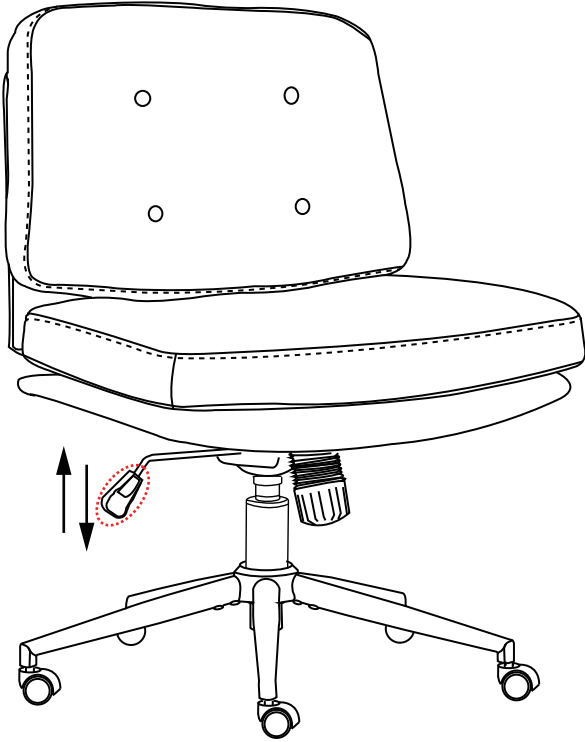


18



9

Seat Height: Paddle-shaped lever on the right side.

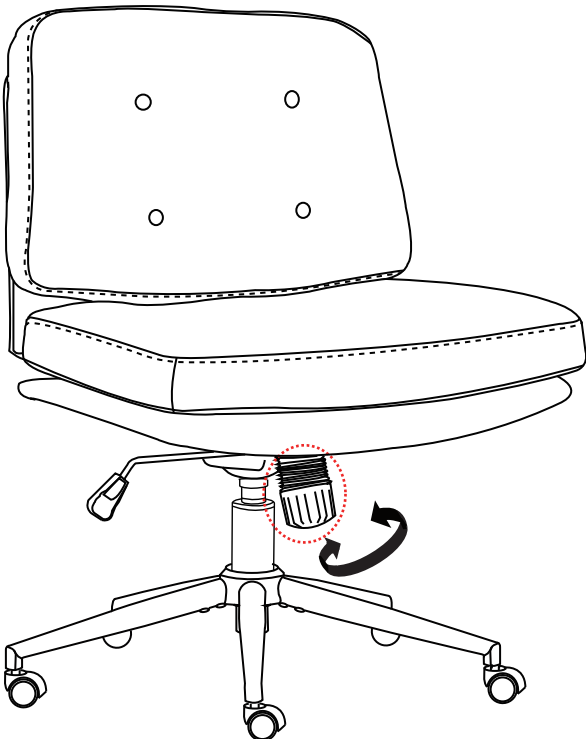


↑ *To raise
while taking your weight off chair
lift lever up.*

↓ *To lower
while seated, lift the handle upwards
without releasing, and your body weight
will gradually lower the chair.*

10

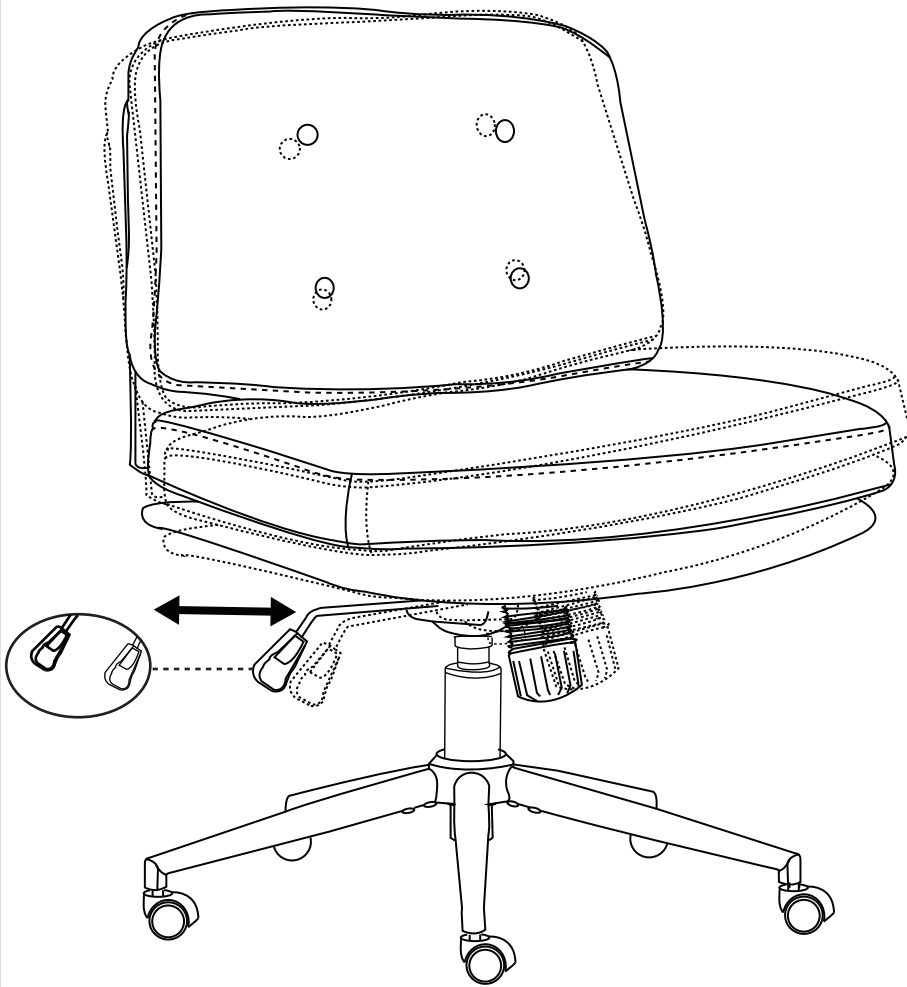
**Tilt Tension: Adjust The Degree Of Recline by
Turning The Cylindrical Knob Under the seat**



*To increase tension:
while seated, turn knob forward
(toward + sign).*



*To decrease tension:
while seated, turn knob
backward (toward - sign)*



Operating the tilt lock out.



To let your chair tilt back ,pull the control handle out.



To stop your chair from tilting, sit forward,then push the control handle in.

12 Assembly Completed.

☆ A warm reminder to our honored client:

If there is any part arrived damaged or defective, or any queries during the assembly, please feel free to contact the seller.

We are happy to work out the satisfied solution for you. Pictures if you could provide to us would be highly appreciated.

Hope this lovely home office desk chair could be a durable addition and convenience to your warm space!

