


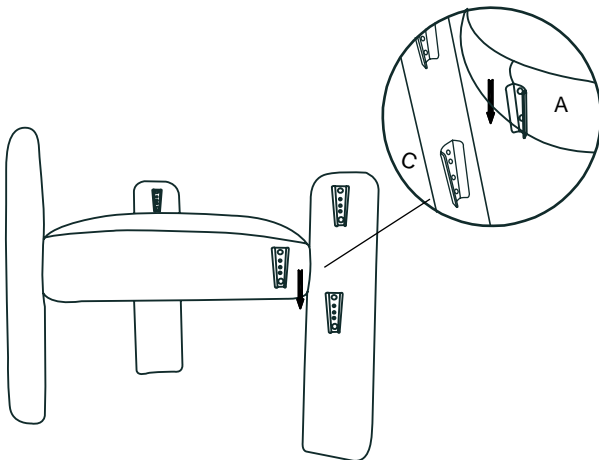


ASSEMBLY INSTRUCTIONS

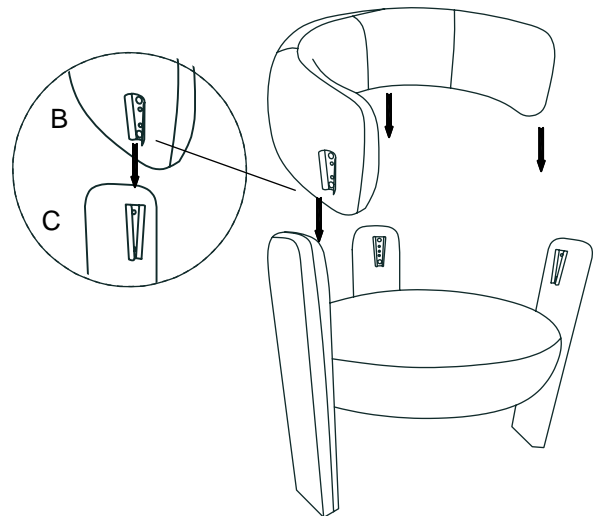
PARTS AND FITTINGS

REF	VISUAL	QTY	REF	VISUAL	QTY
A		1			
B		1			
C		3			

STEP 1:



STEP 2:



STEP 3:

