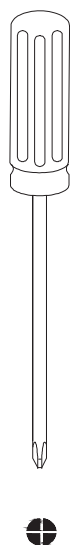
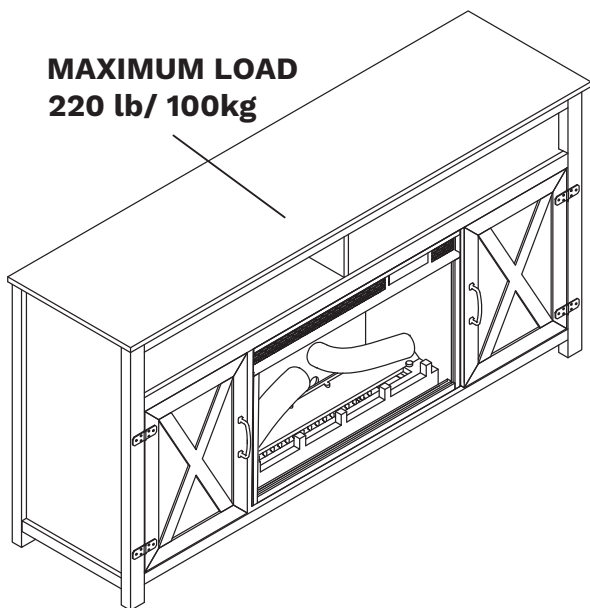


The fireplace and fitting parts are packed in another carton.

WARNING!

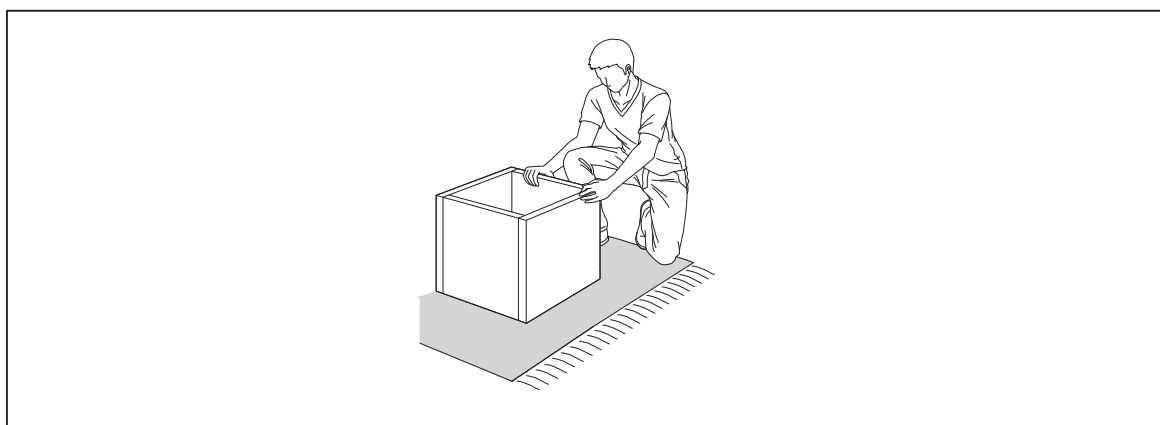


MAXIMUM LOAD
220 lb/ 100kg

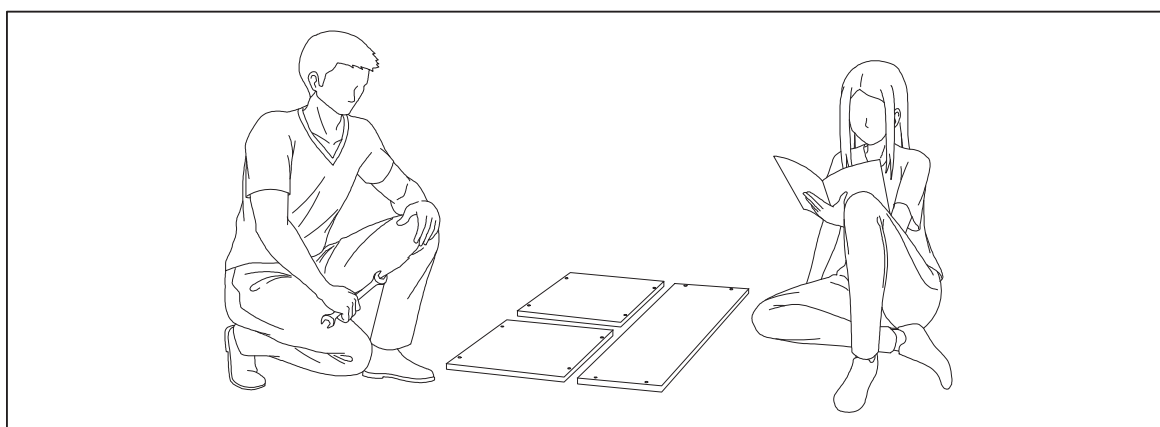


Estimated Time for Assembly

120 mins

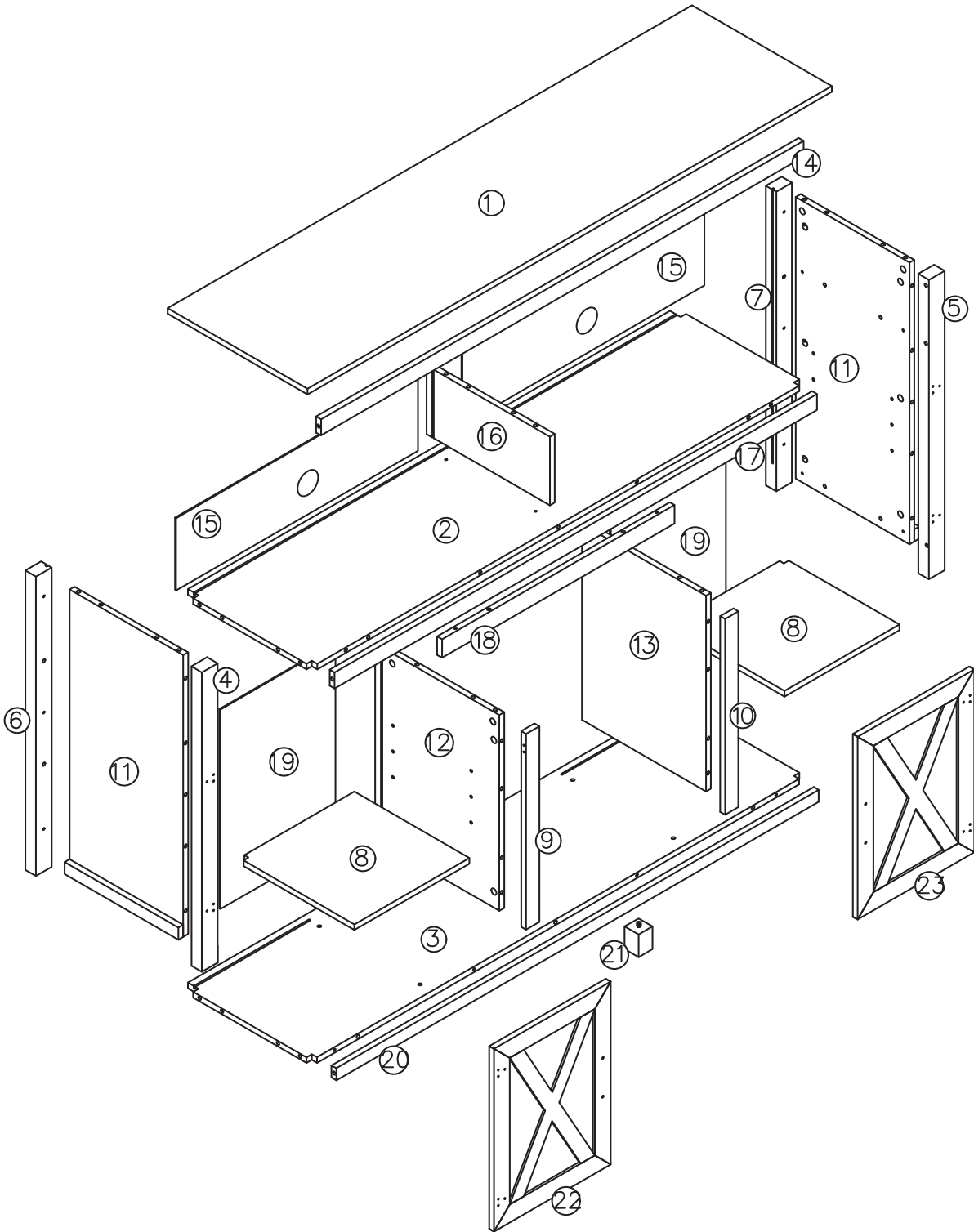


Assembly the furniture on empty carton, carpet, or rug to prevent scratches or damage.



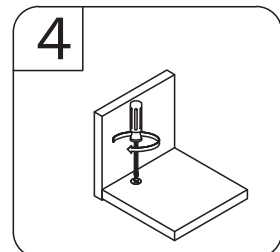
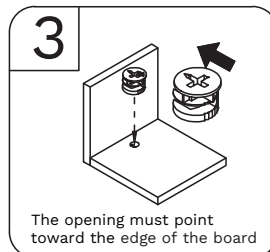
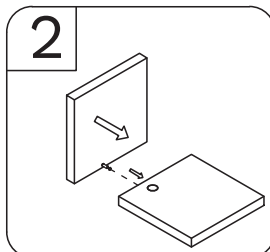
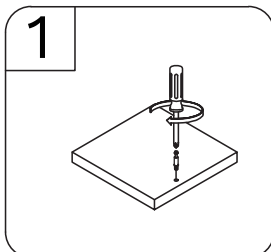
This furniture requires 2 people to assembly.

Make sure no parts are missing or damaged before assembly.



Cam Lock Fastening System

Insert the cam bolt into the hole first, then insert the cam lock and lock it.



HARDWARE PART LIST

(A)

L= 25mm



42x

(B)

Ø15 x 11mm



42x

(C)



42x

(D)

Ø8 x 30mm



53x

(E)



2x

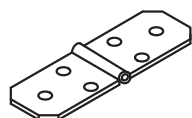
(F)

5/32" x 19mm



4x

(G)



4x

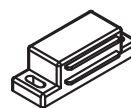
(H)

Ø3.5 x 12mm



24x

(J)



2x

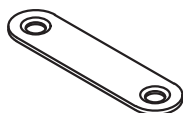
(K)

Ø3.5 x 15mm



4x

(L)



2x

(M)

Ø3.5 x 12mm



4x

(N)



8x

(O)

Ø6 x 50mm



4x

(P)



2x

(Q)

Ø4 x 35mm



8x

(R)

Ø20 x 1/4" x 19mm



3x

(S)



22x

(T)

Ø3*17d=7mm



22x

(U)



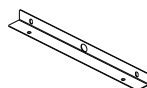
2x



1x



12x



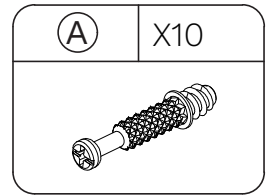
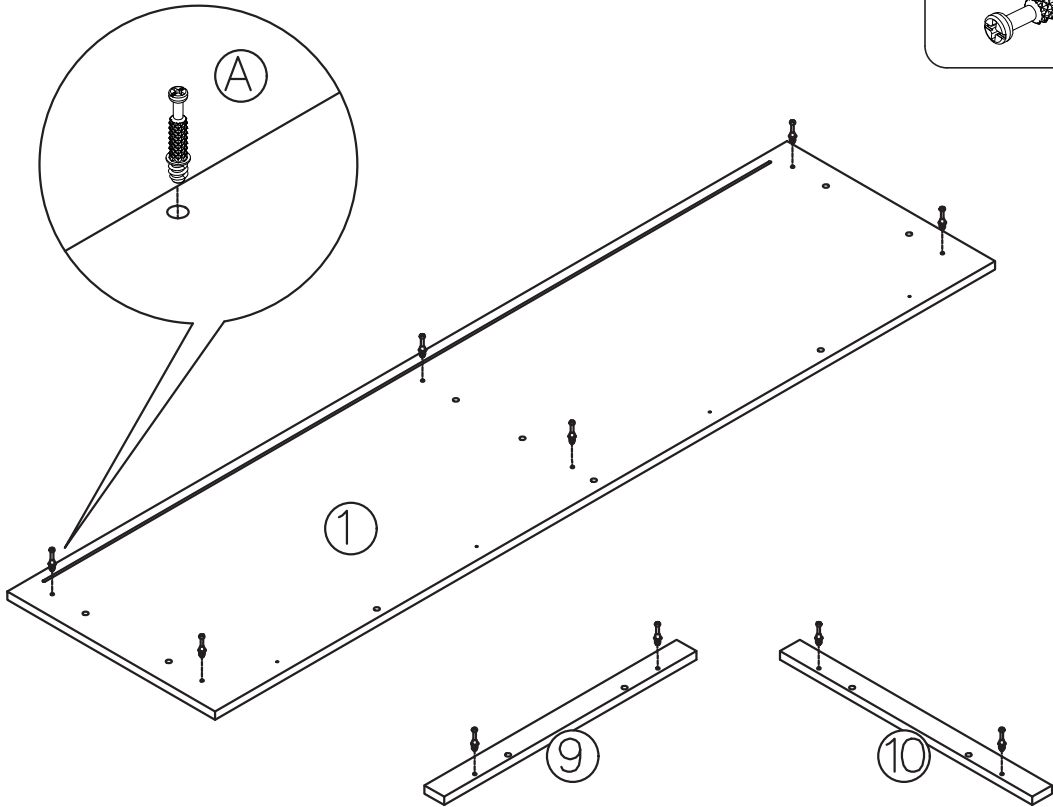
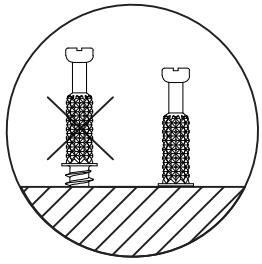
3x



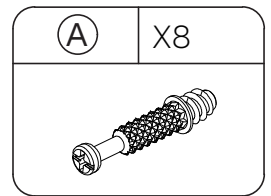
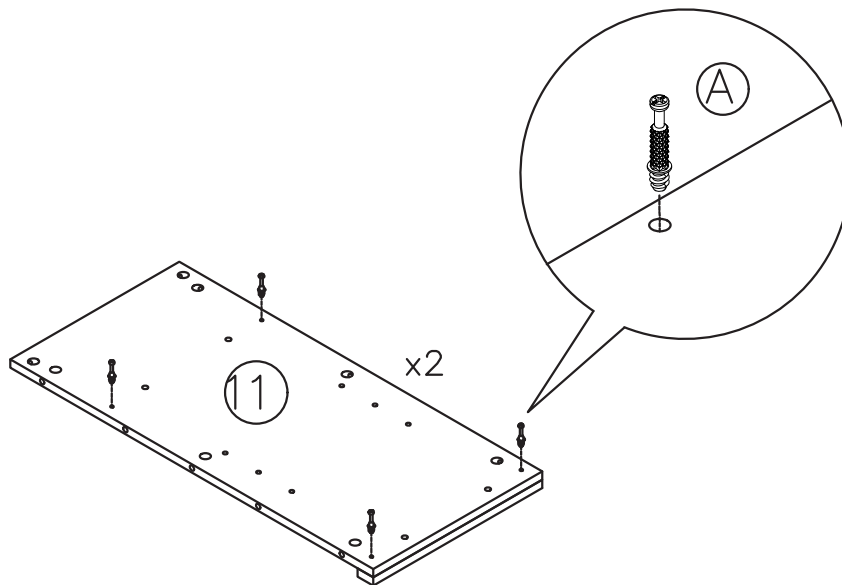
1x

The fireplace and fitting parts are packed in another carton.

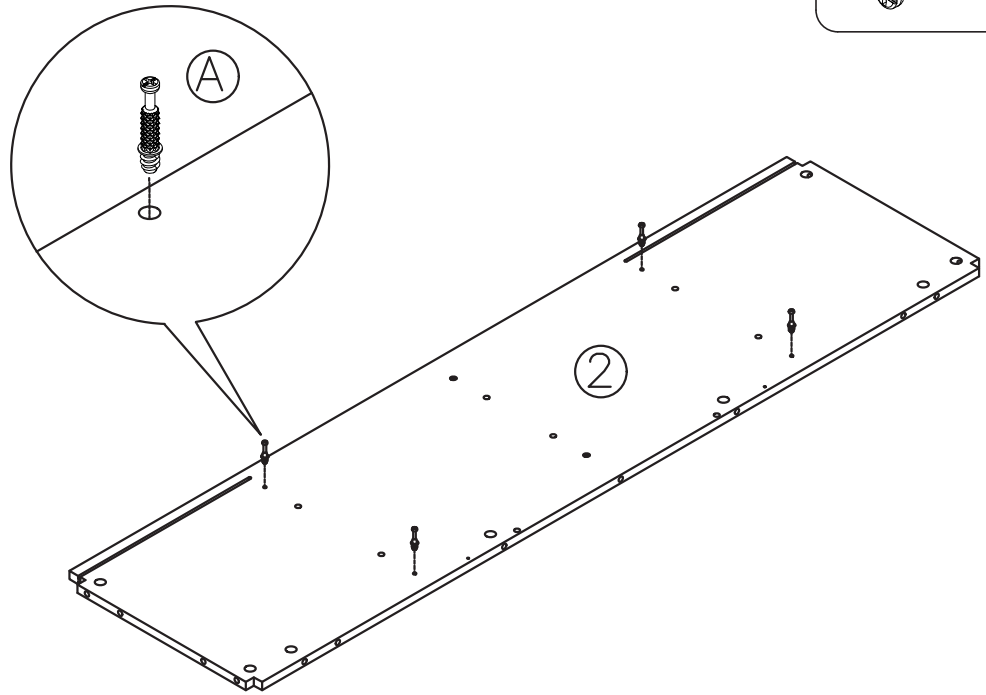
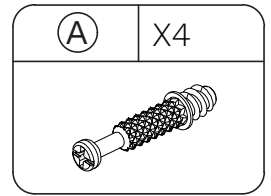
STEP 1



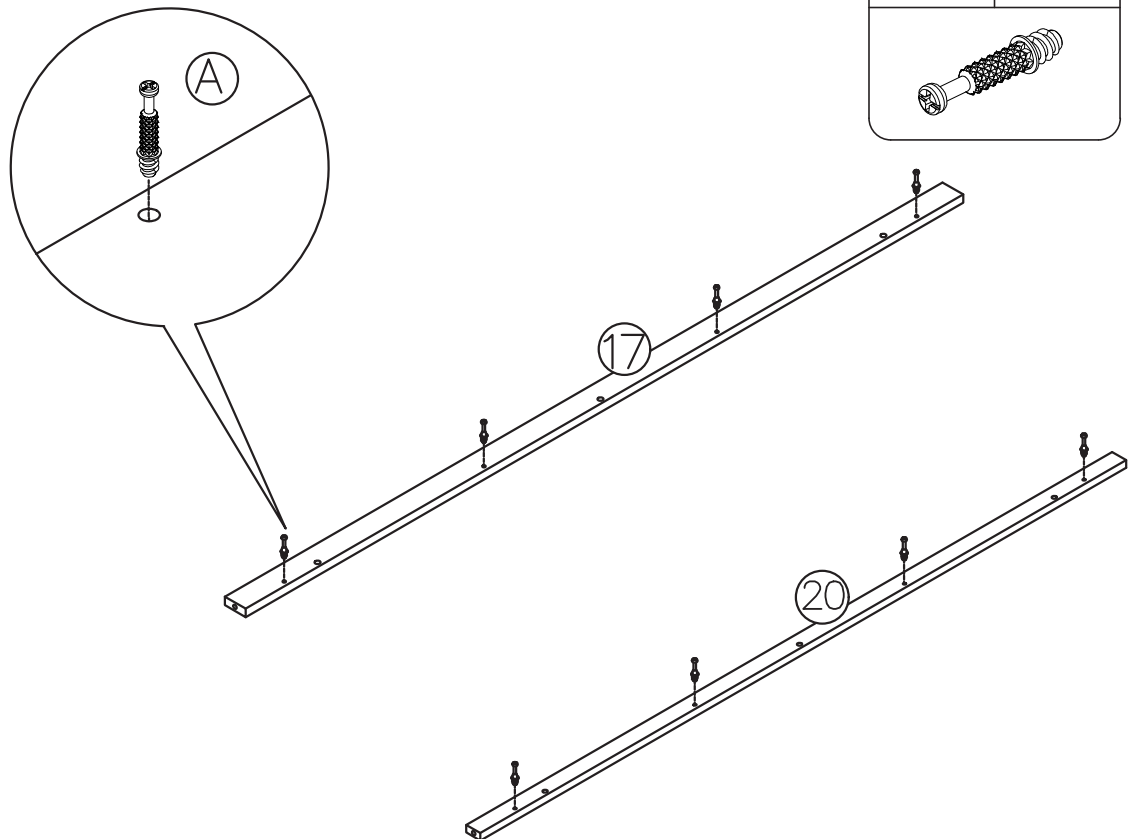
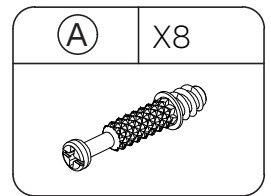
STEP 2



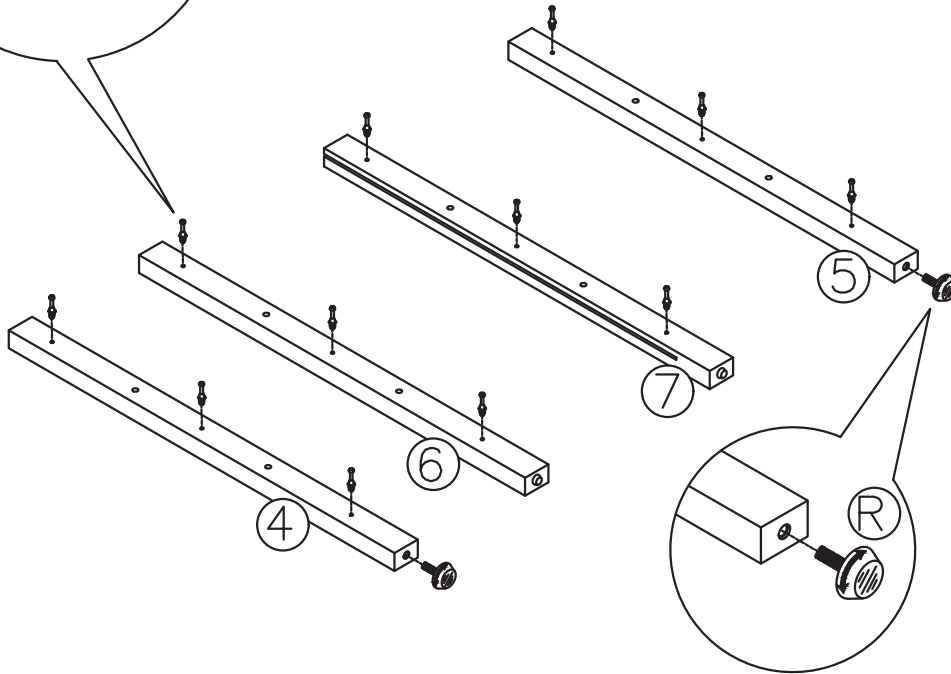
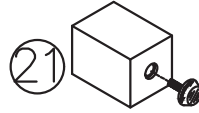
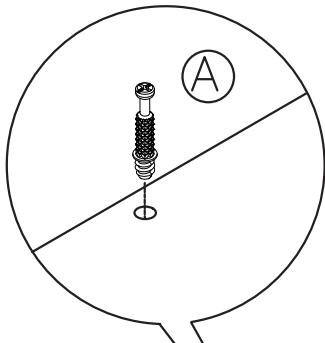
STEP 3



STEP 4



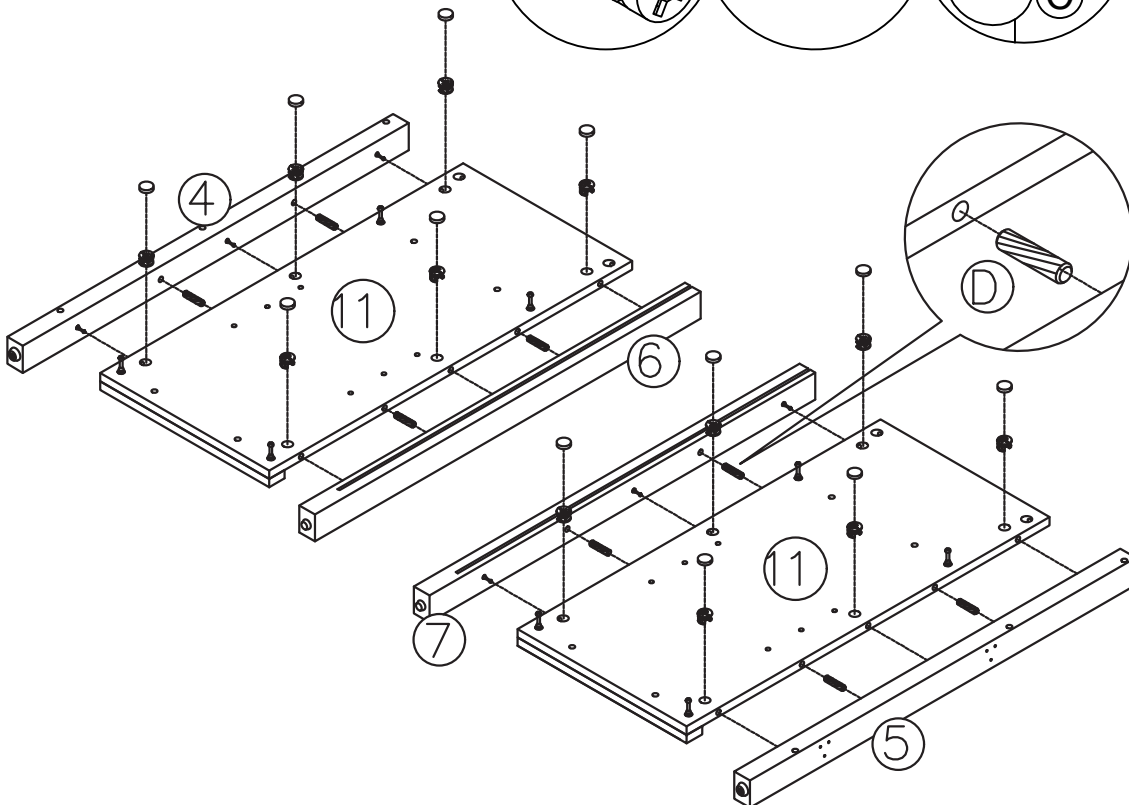
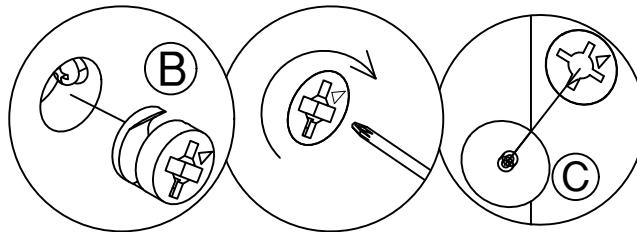
STEP 5



(A)	X12

(R)	X3

STEP 6

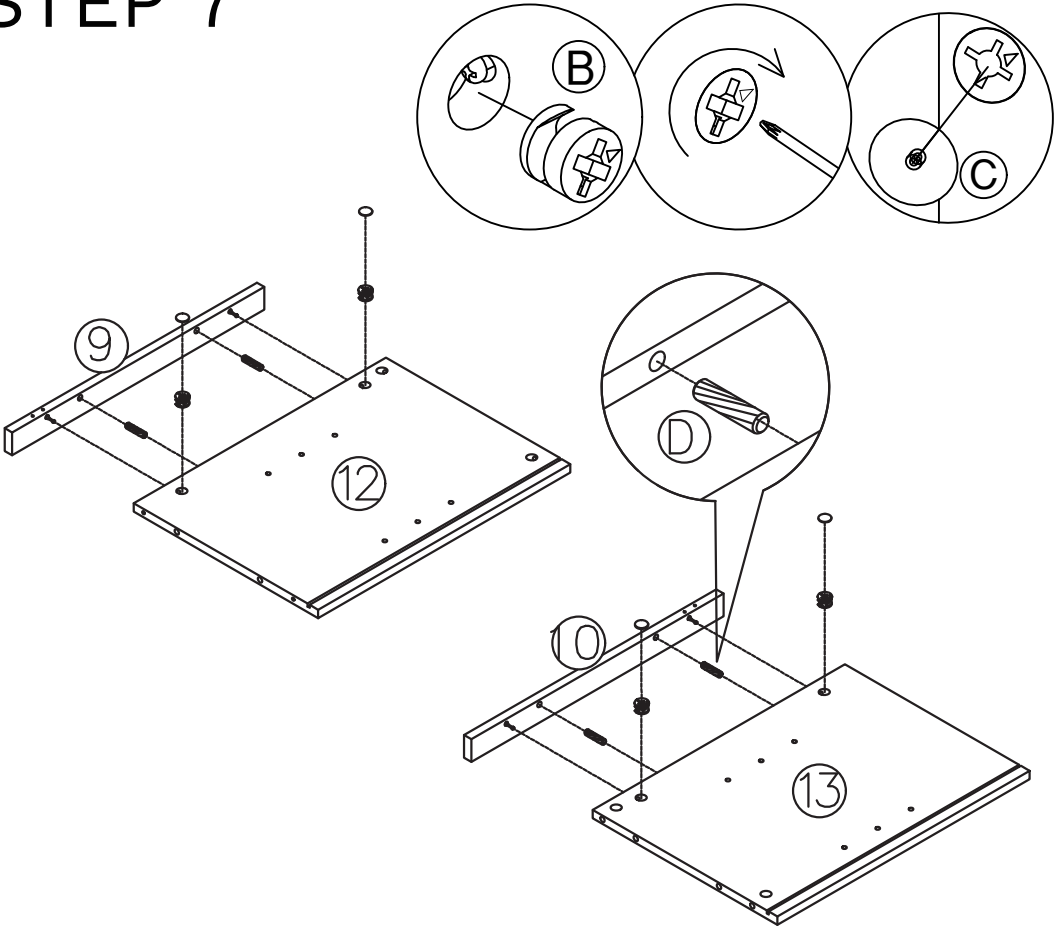


(B)	X12

(D)	X8

(C)	X12

STEP 7

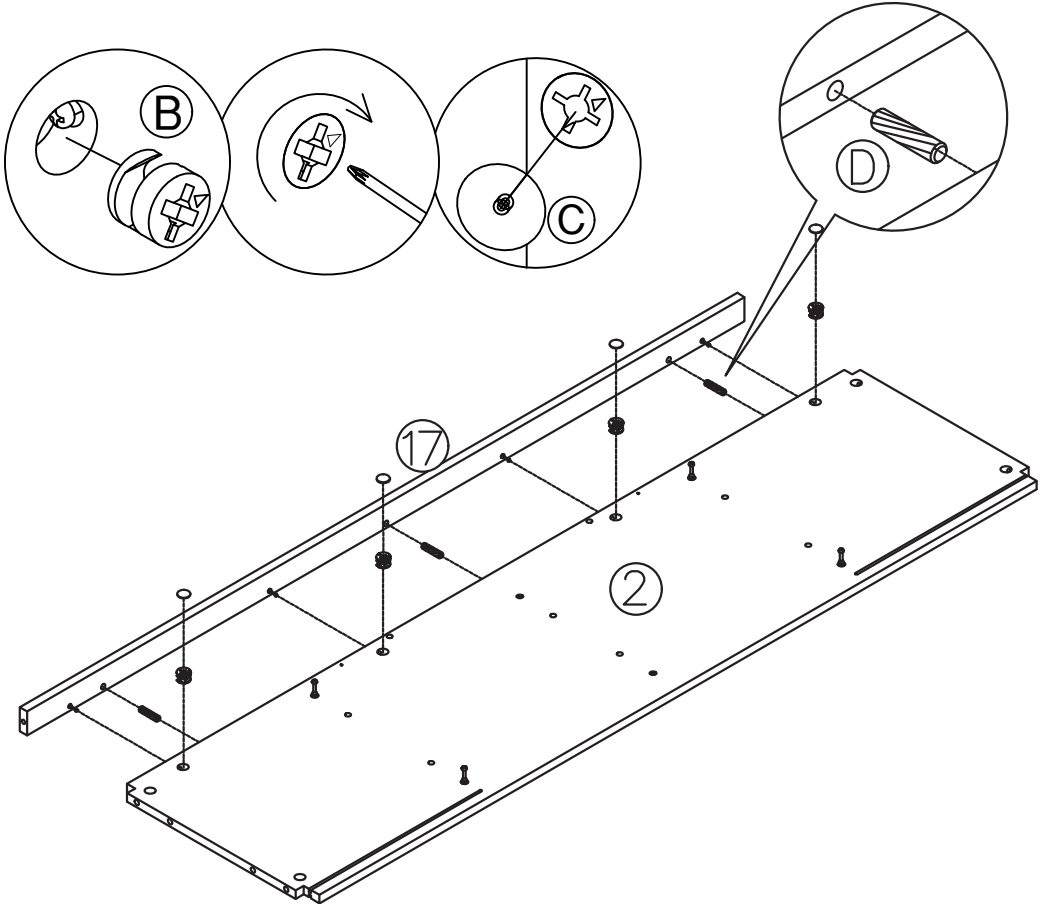


(B)	X4

(D)	X4

(C)	X4

STEP 8

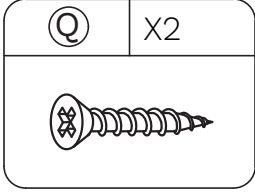
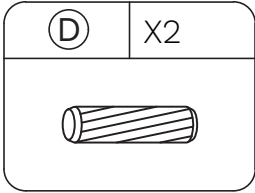
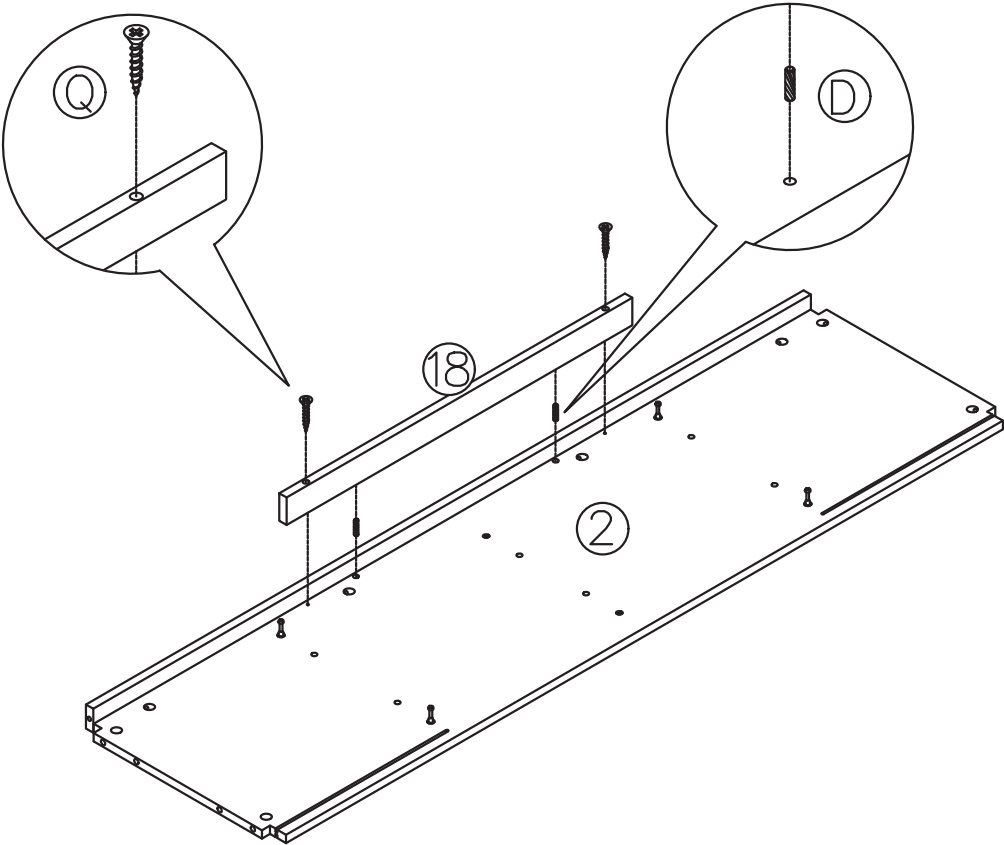


(B)	X4

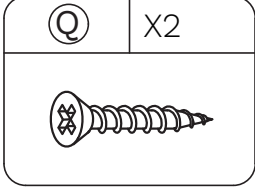
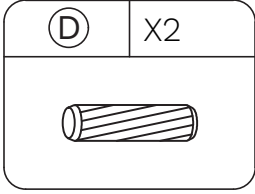
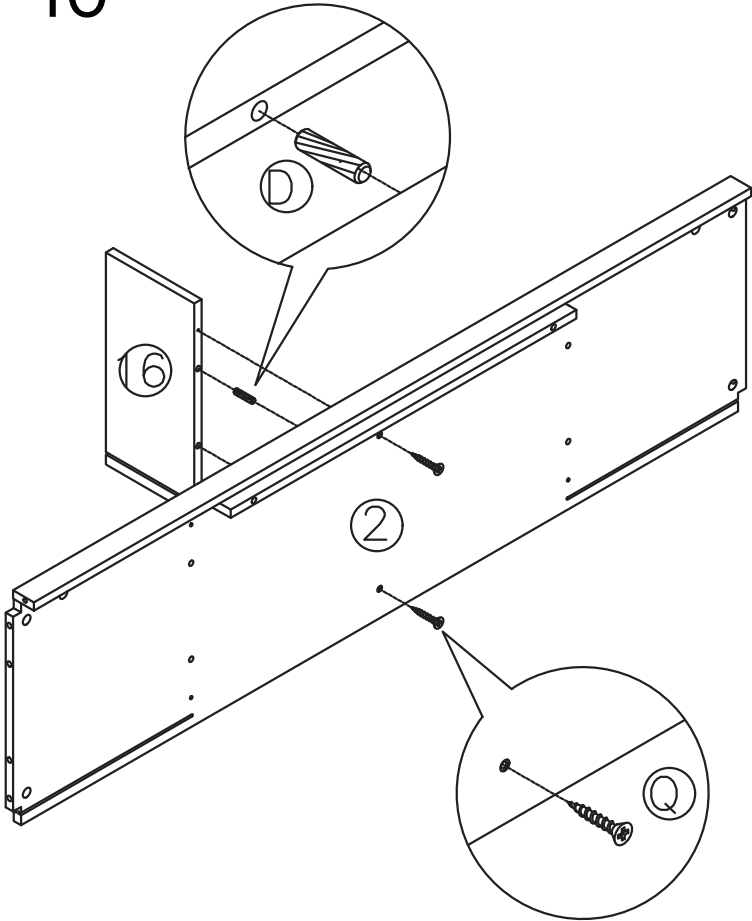
(D)	X3

(C)	X4

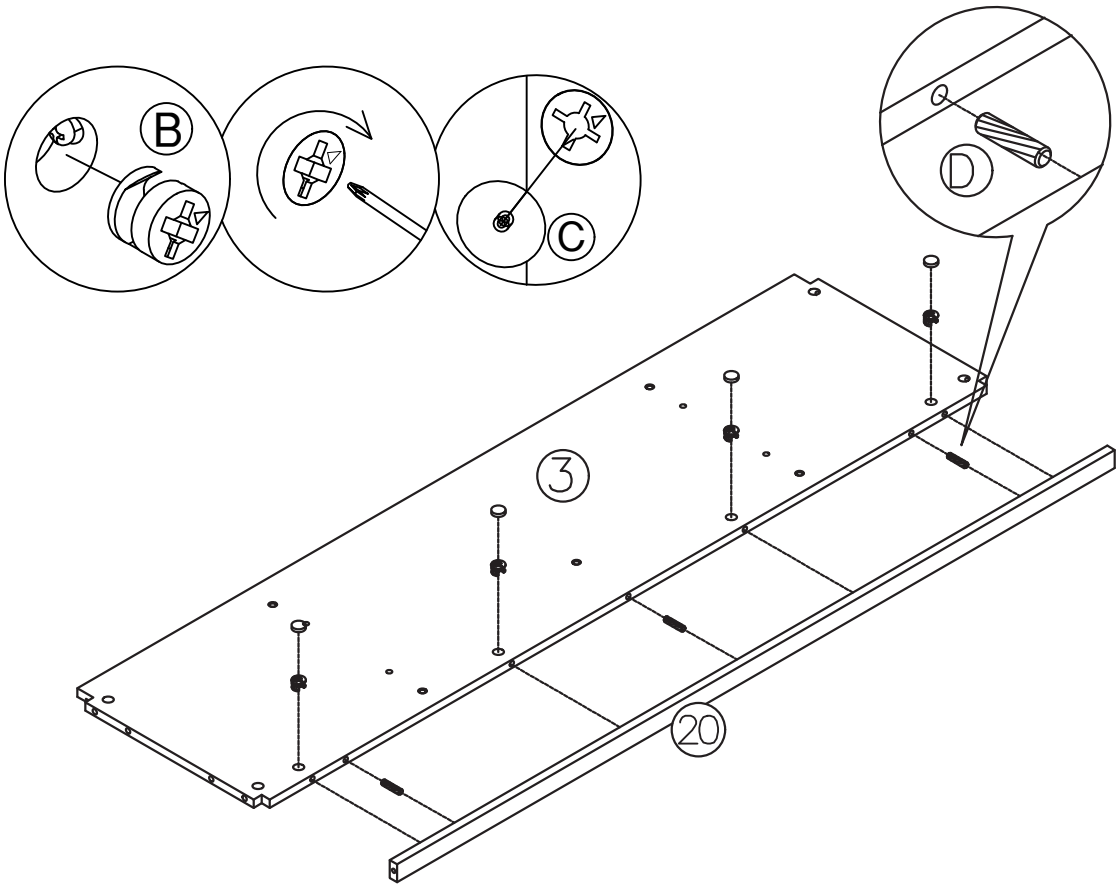
STEP 9






STEP 10

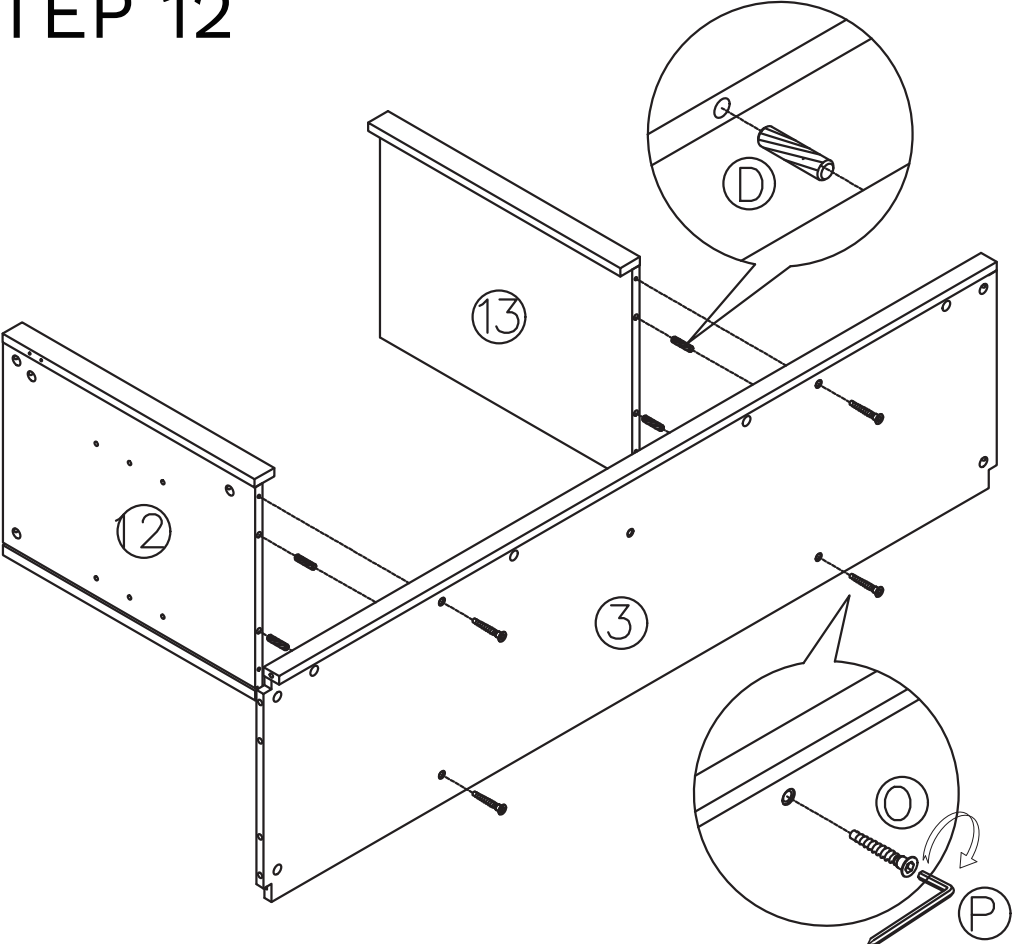



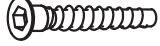

STEP 11



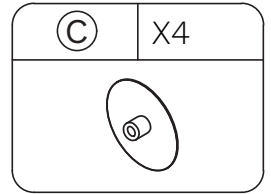
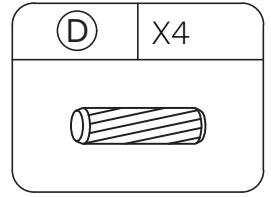
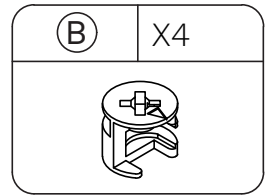
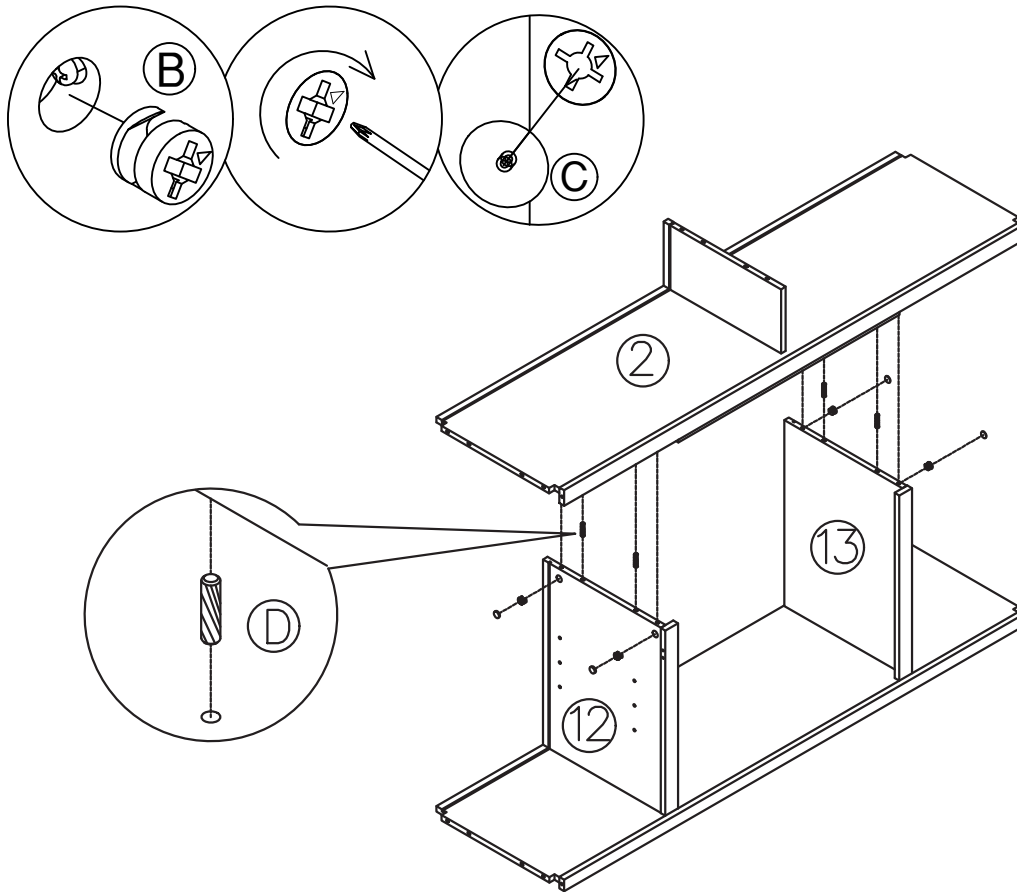
(B)	X4
	
(D)	X3
	
(C)	X4
	

STEP 12

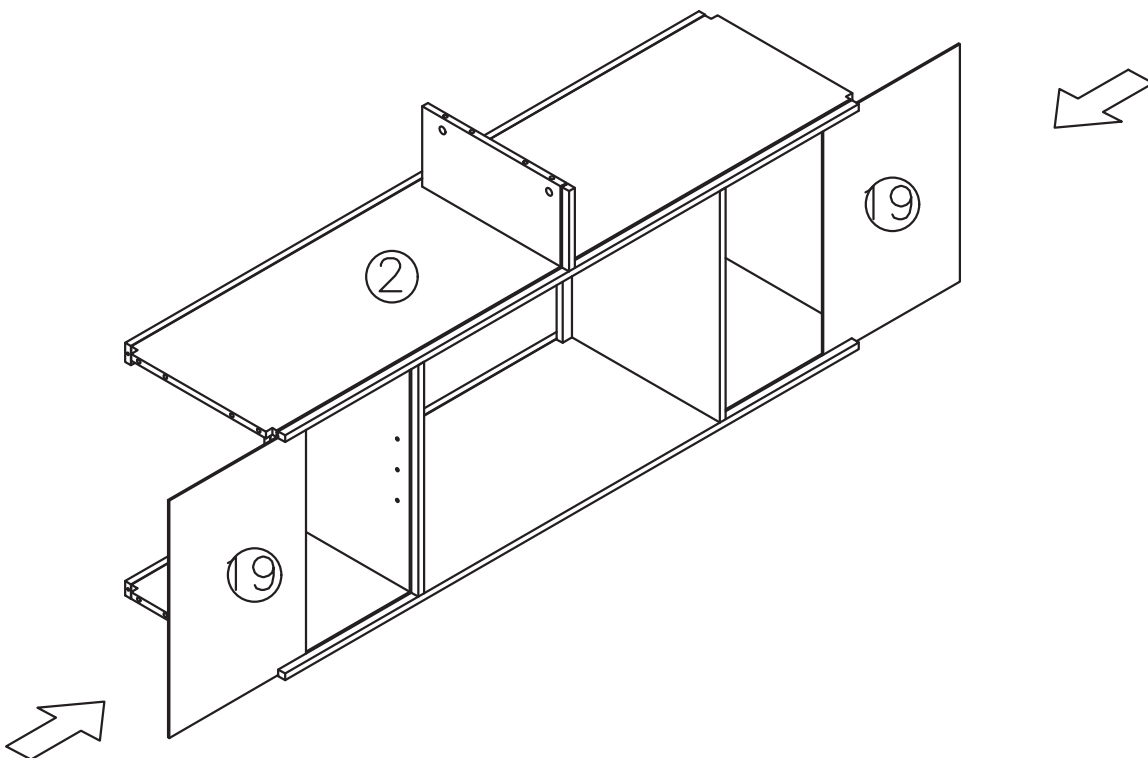


(D)	X4
	
(O)	X4
	
(P)	X1
	

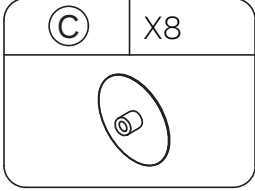
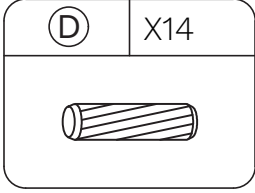
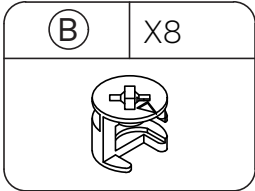
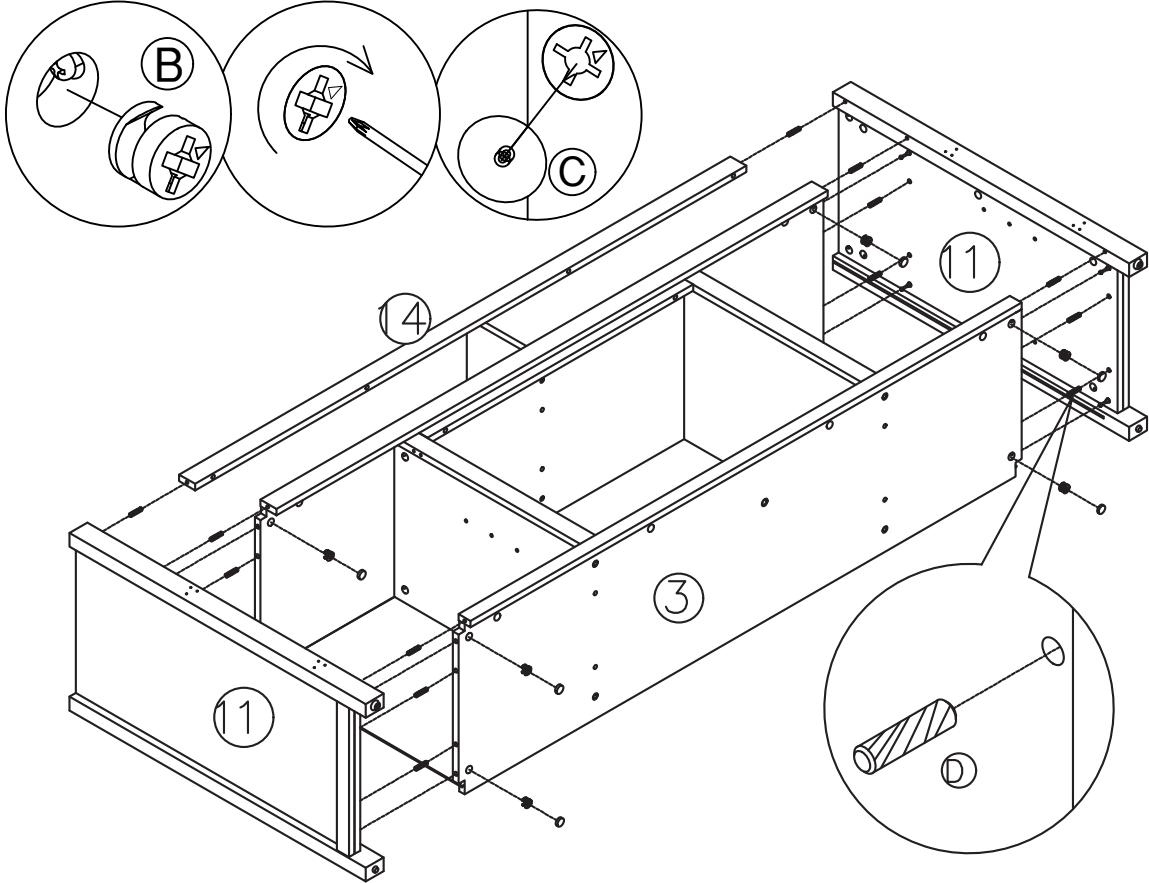
STEP 13



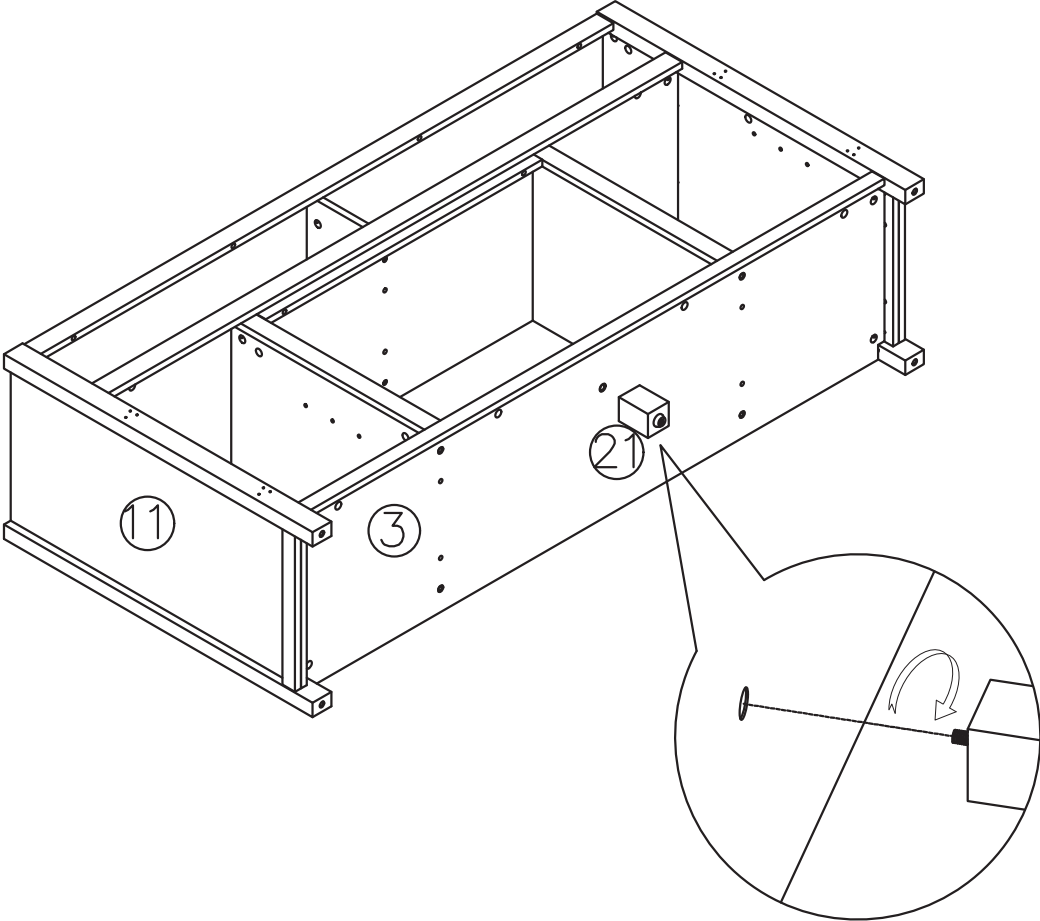
STEP 14



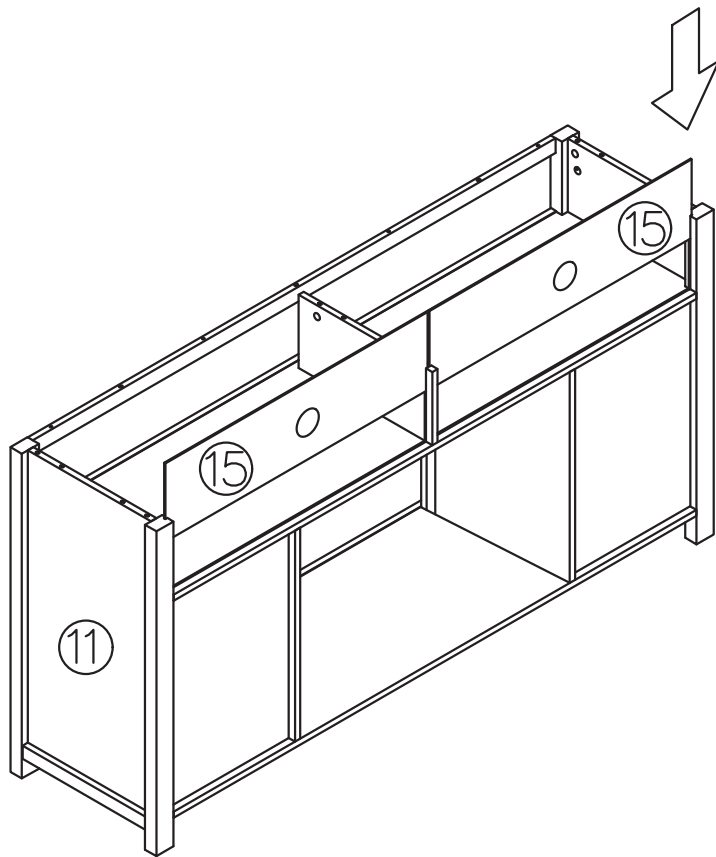
STEP 15



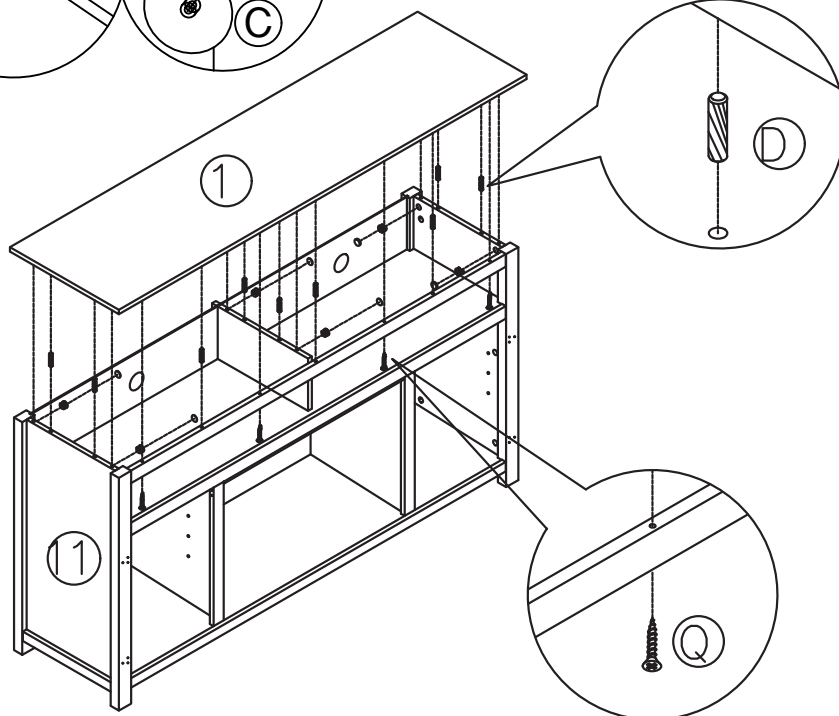
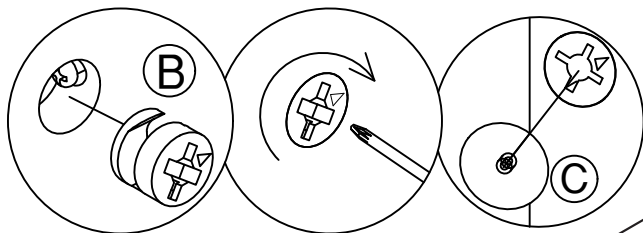
STEP 16



STEP 17

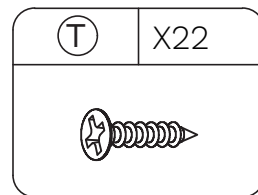
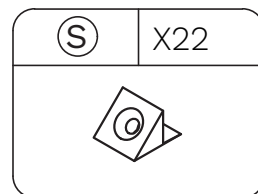
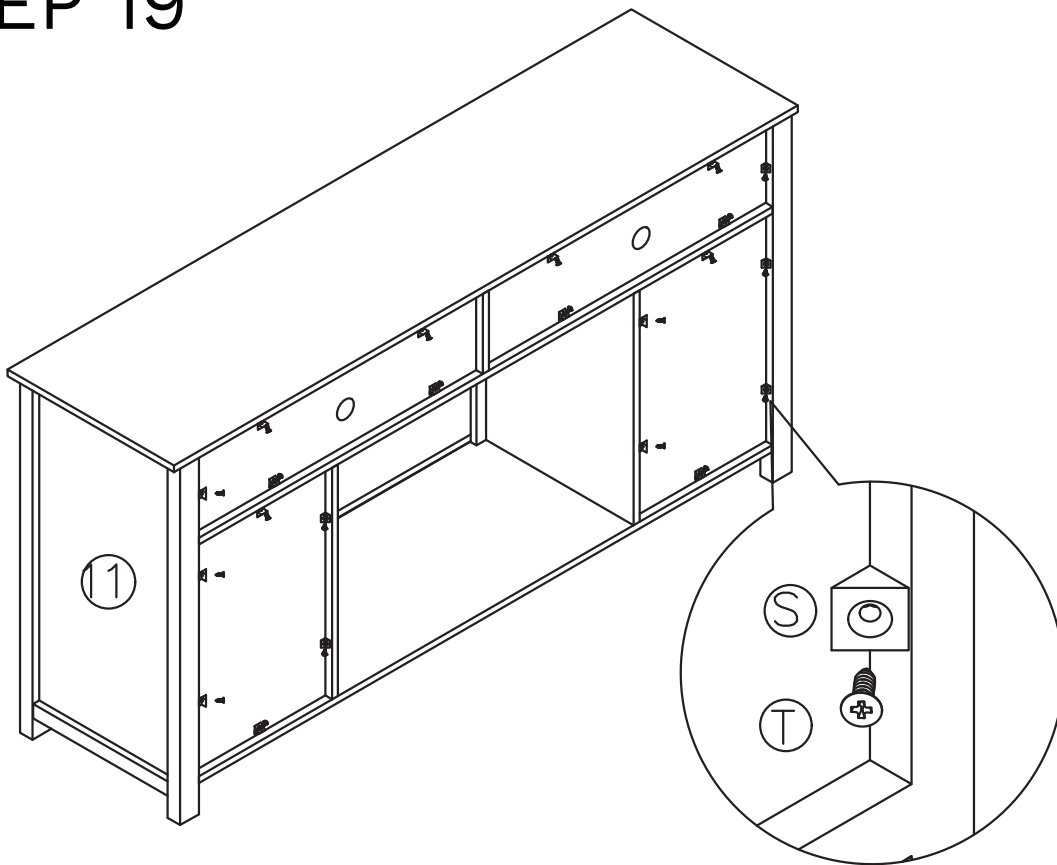


STEP 18

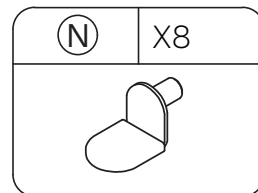
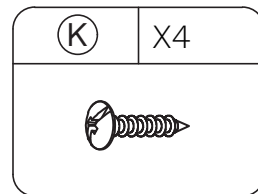
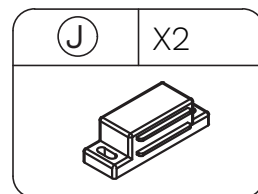
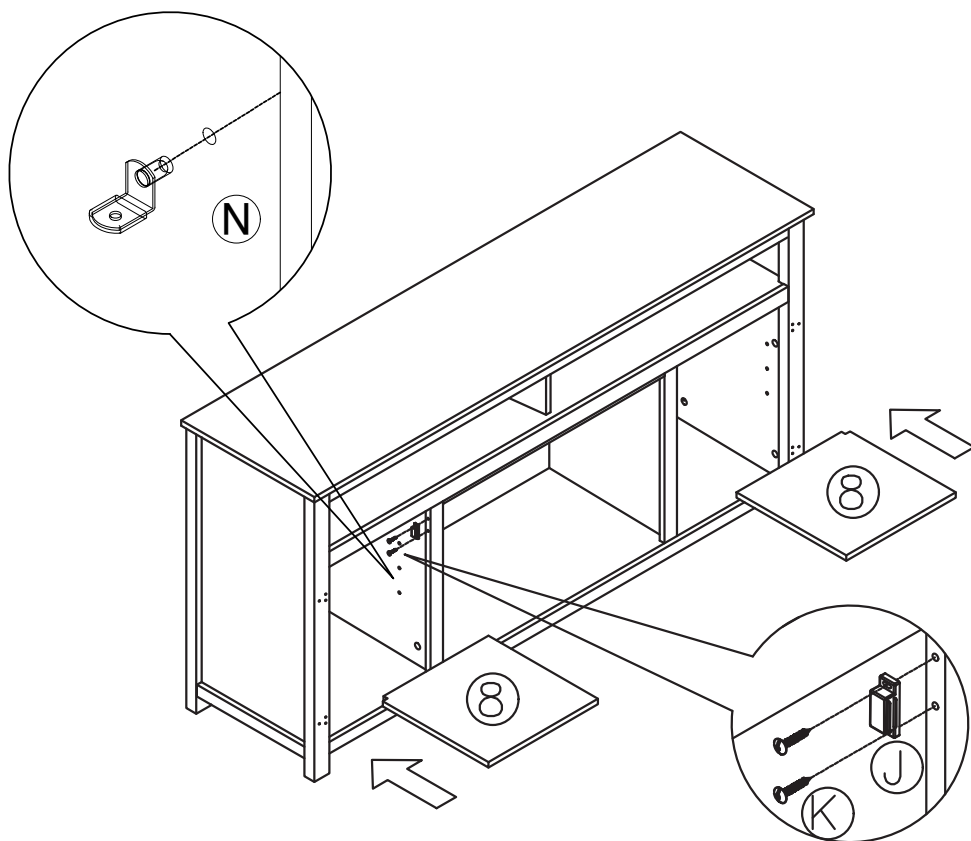


(B)	X6
(D)	X9
(C)	X6
(Q)	X4

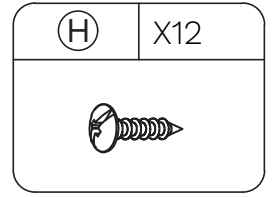
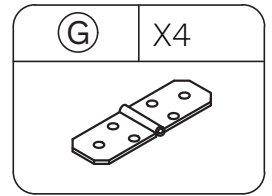
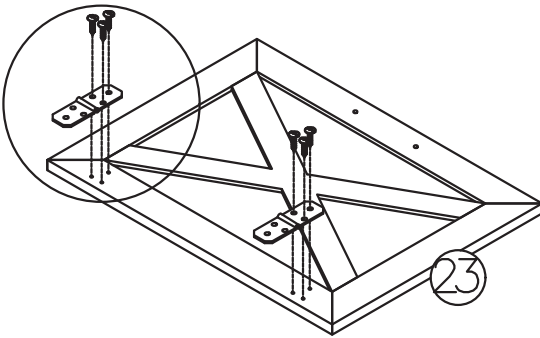
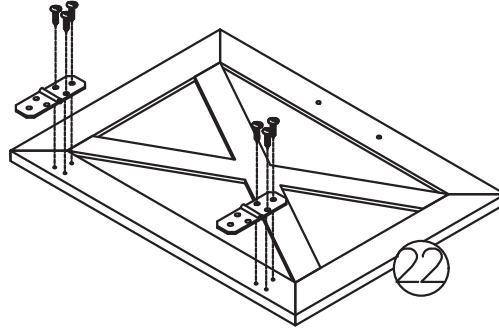
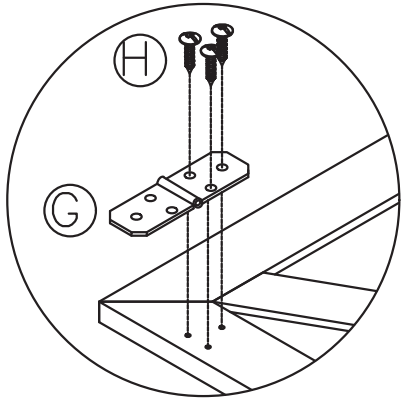
STEP 19



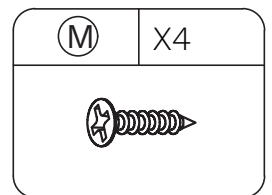
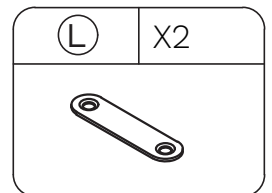
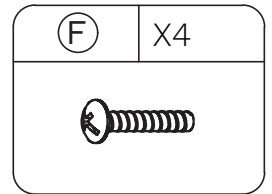
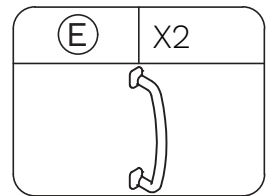
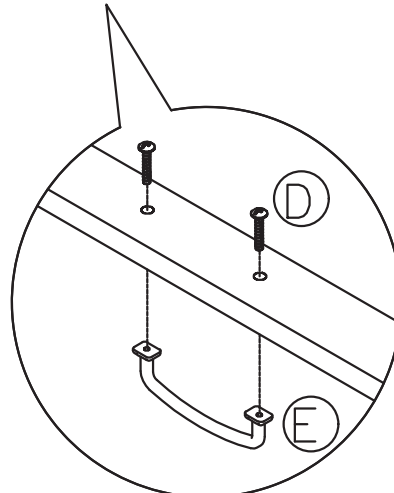
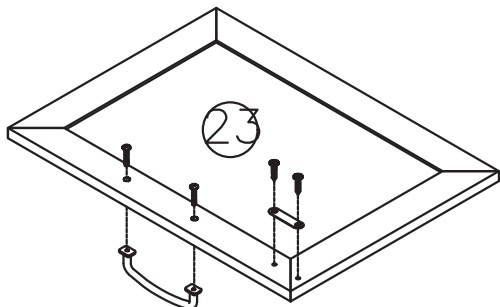
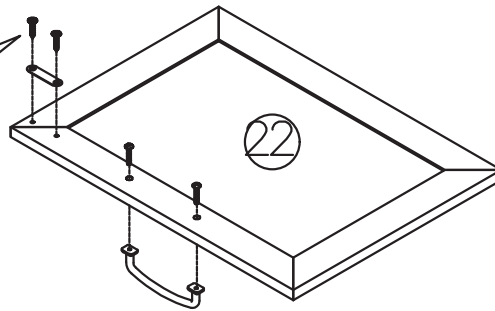
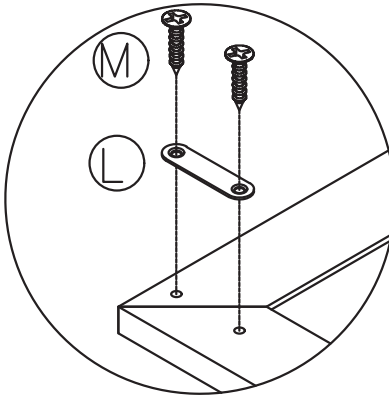
STEP 20




STEP 21

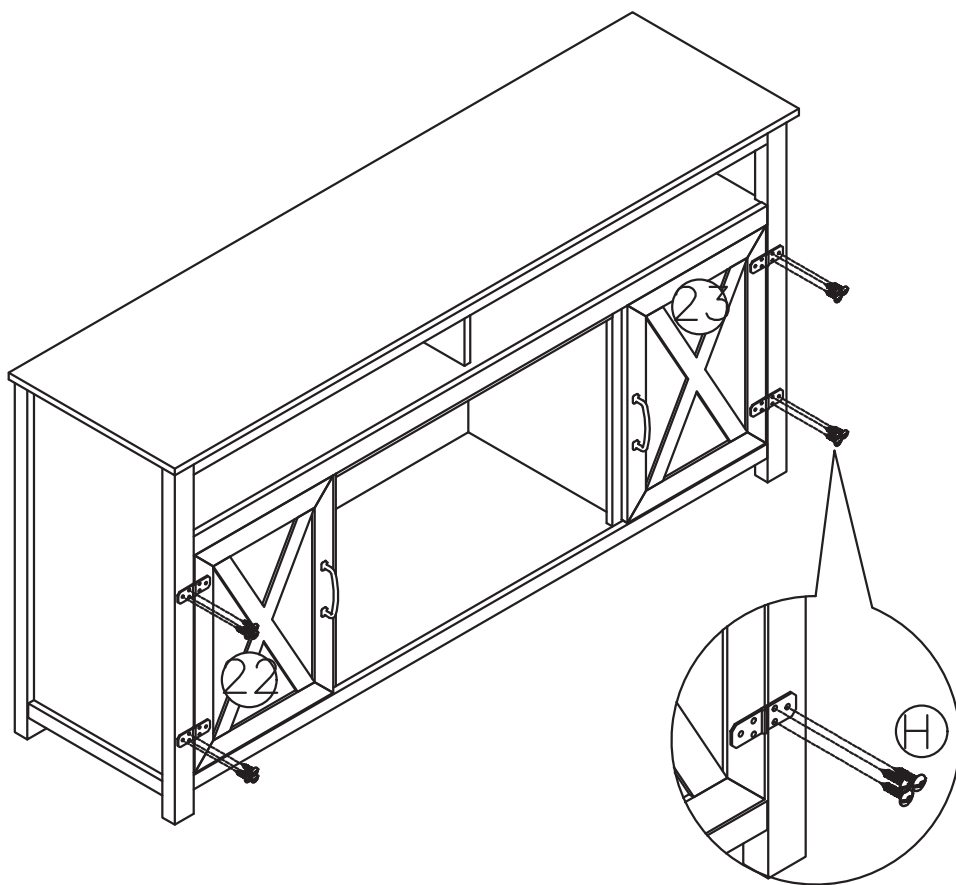


STEP 22

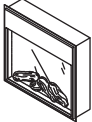


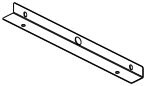
STEP 23


(H)	X12
	

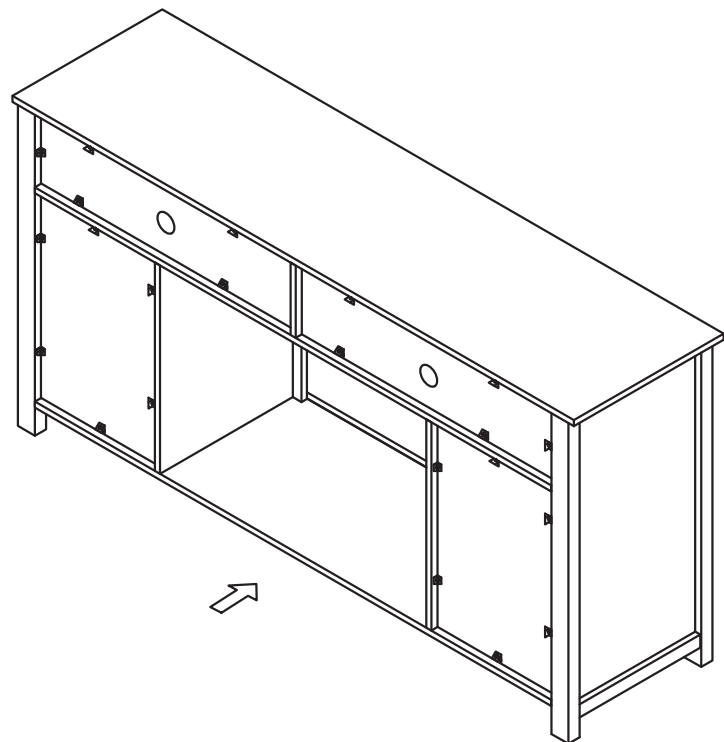
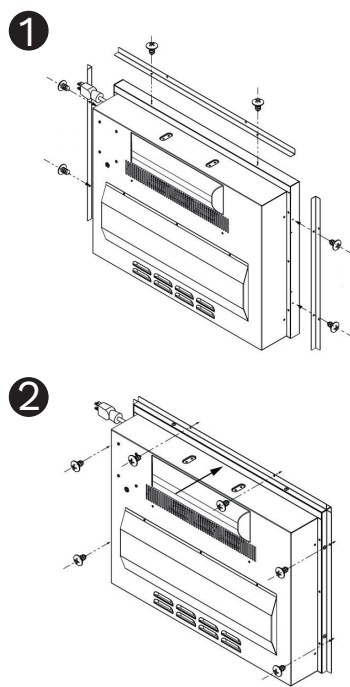


STEP 24


	X1
	

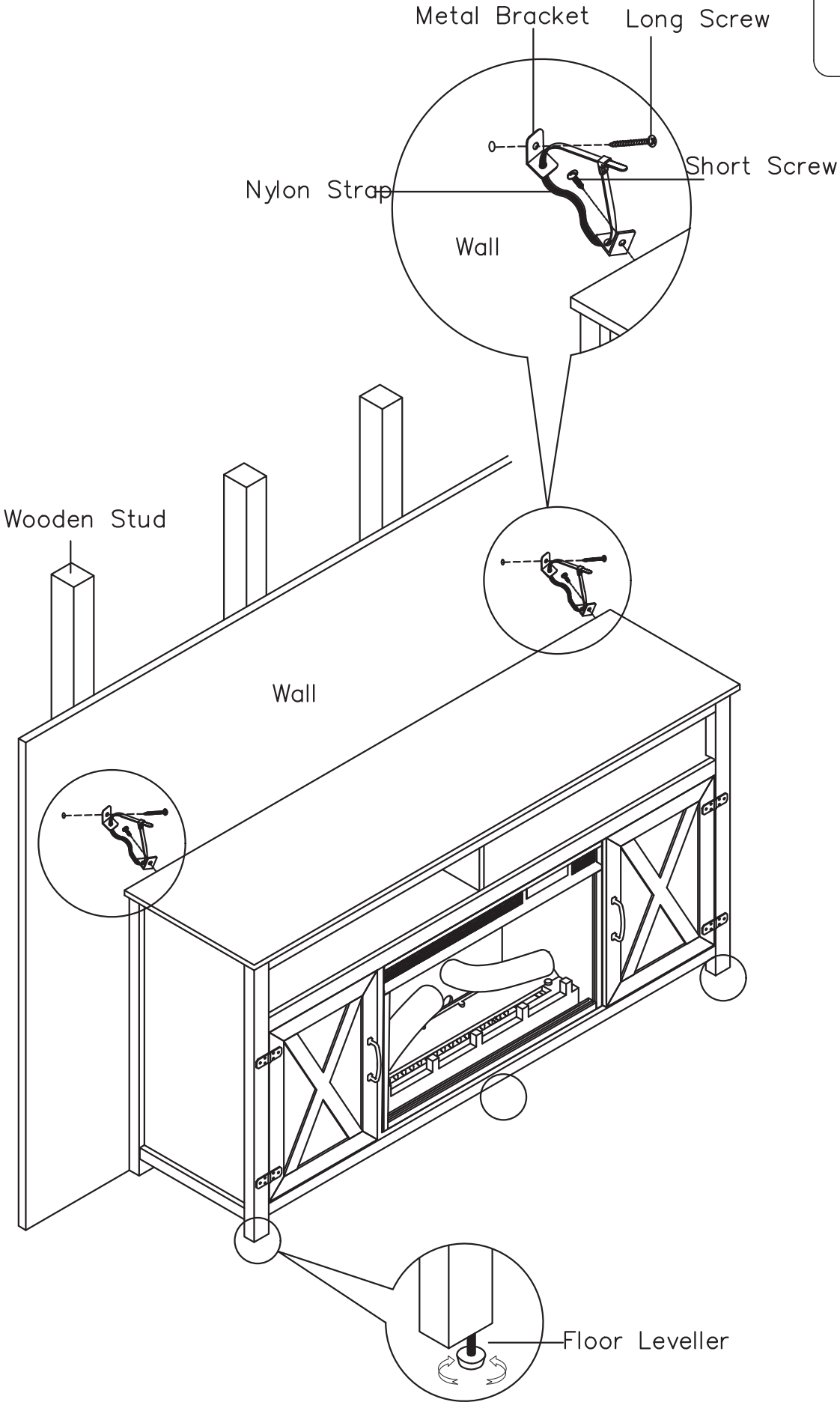
	X3
	

	X12
	



STEP 25

U	X2
	



FURNITURE CARE AND MAINTENANCE

Particleboard

Thank you for your purchase. We want your item to last as long as possible. To ensure the product gives you years of service, please refer to this care and maintenance guide.



MAINTENANCE

- . Tighten all bolts and screws again within the first 2 weeks of assembly
- . Check the tightness of all bolts every 2 months, tighten them if necessary



CLEANING

- . Clean the surface of the particleboard with a lightly dampened cloth
- . Small amount of mild soap can be used if necessary
- . Dry the surface immediately after cleaning.

- . DO NOT use bleach or alcohol detergent to clean the surface.
- . DO NOT apply wood treatment on parts made with particleboard.

Particleboard will swell and distort when suffer damage.
Make sure to dry the furniture immediately after cleaning