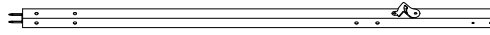
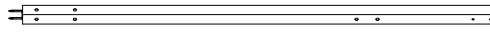


PARTS

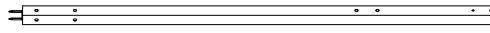
A 1pc



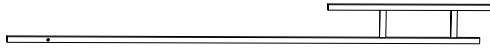
B 1pc



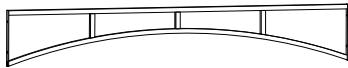
C 2pcs



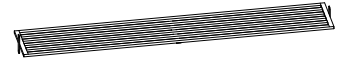
D 4pcs



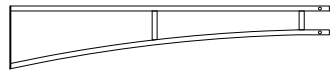
E 2pcs



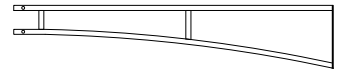
F 2pcs



G 2pcs



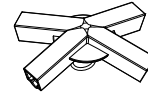
H 2pcs



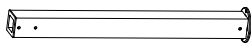
J 1pc



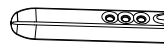
K 1pc



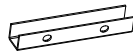
L 4pcs



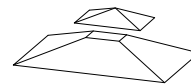
M 4pcs



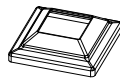
N 4pcs



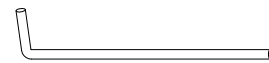
O 1pc



P 4pcs



Q 8pcs



R 2pcs



R₁ 1pc



S 2pcs



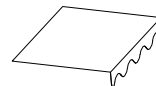
S₁ 1pc



T 2pcs



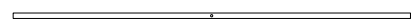
U 2pcs



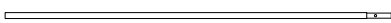
U₁ 1pc



V 2pcs



V₁ 1pc



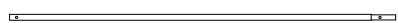
V₂ 1pc



W 2pcs



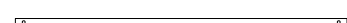
W₁ 1pc



W₂ 1pc



X 4pcs



Y 6pcs



Z 14pcs



①



M6x13 mm

35pcs+1pc

②



M6x20 mm

8pcs+1pc

③



M6x30 mm

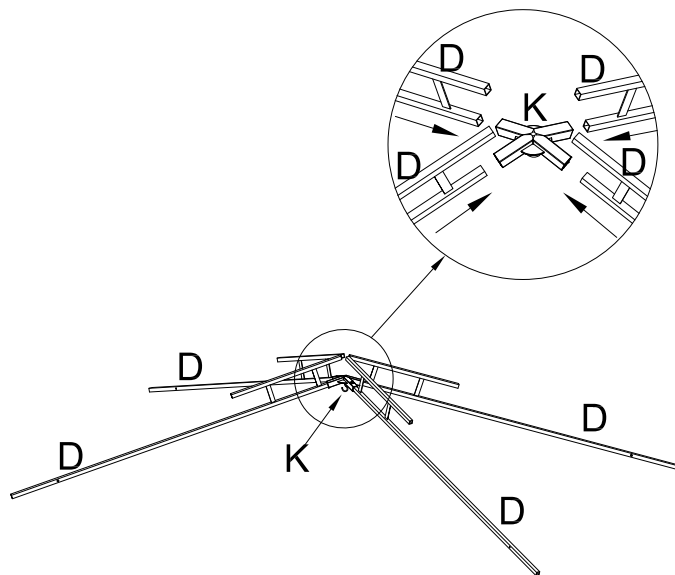
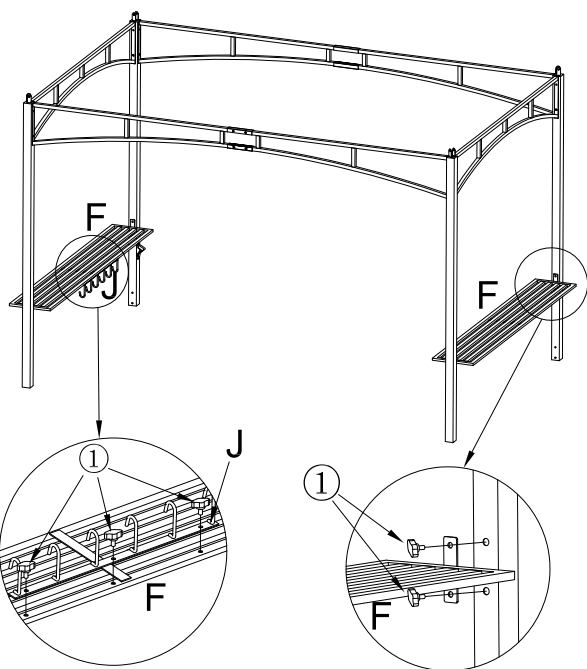
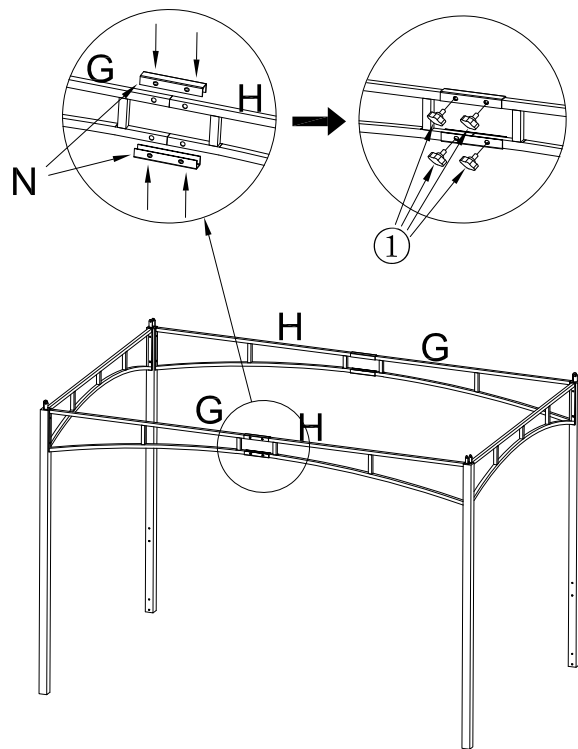
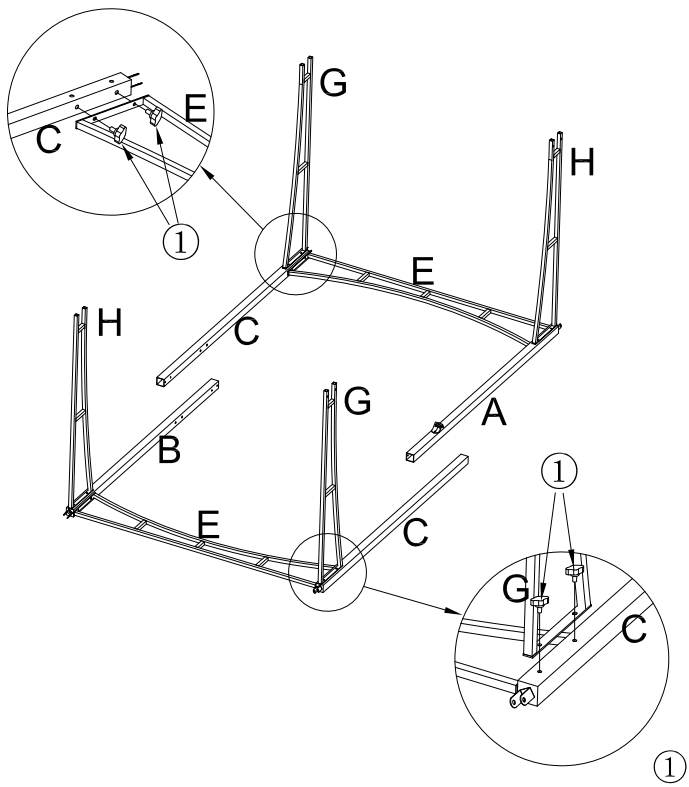
4pcs+1pc

④



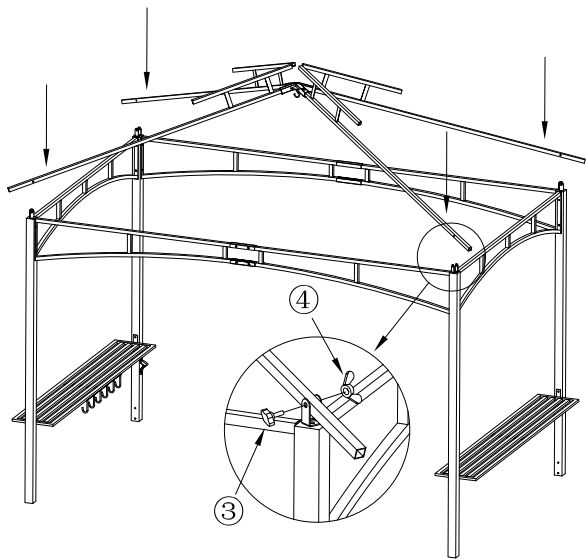
M6

4pcs+1pc



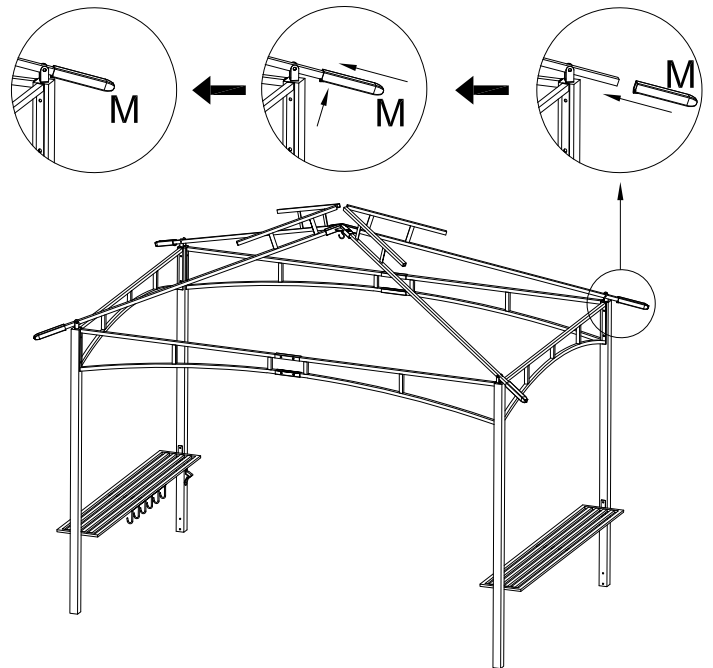
③

④

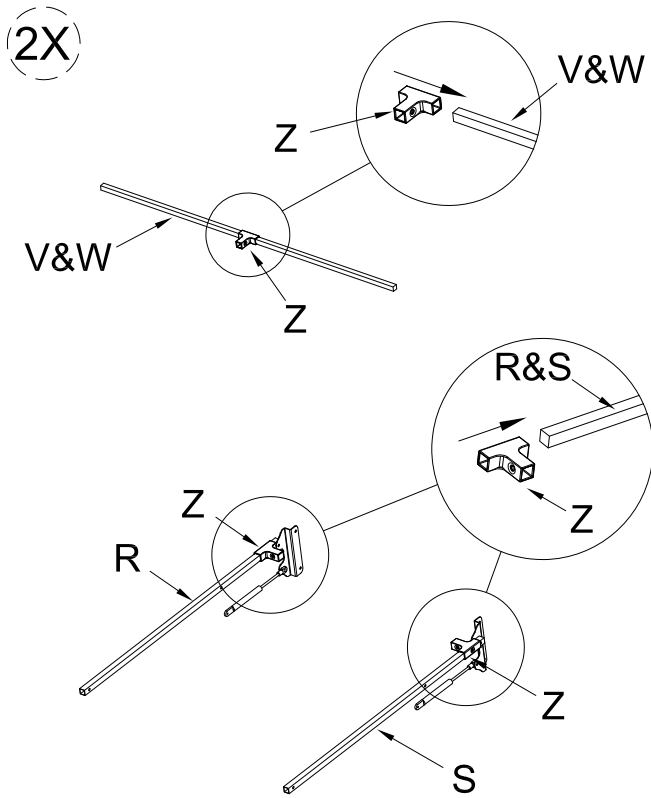


⑤

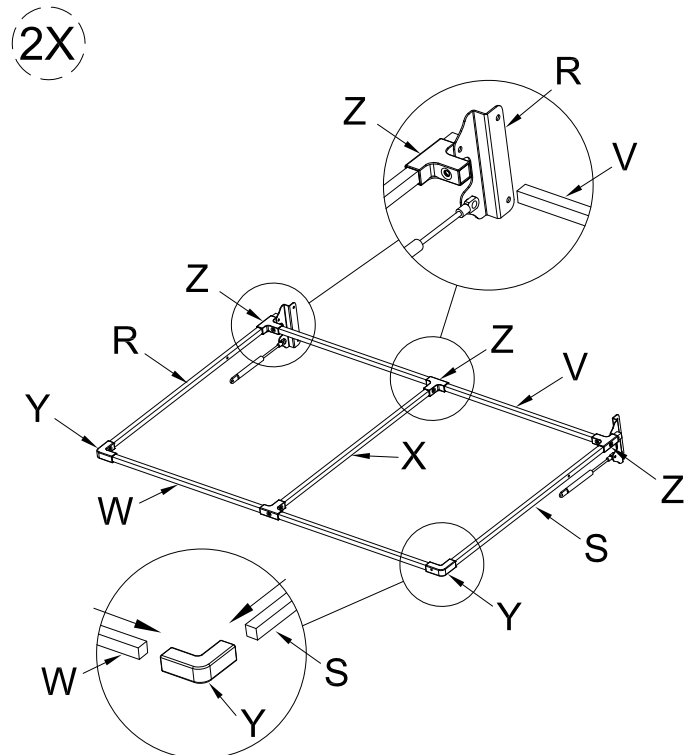
Press the button and push the extension tube (M) up to the end



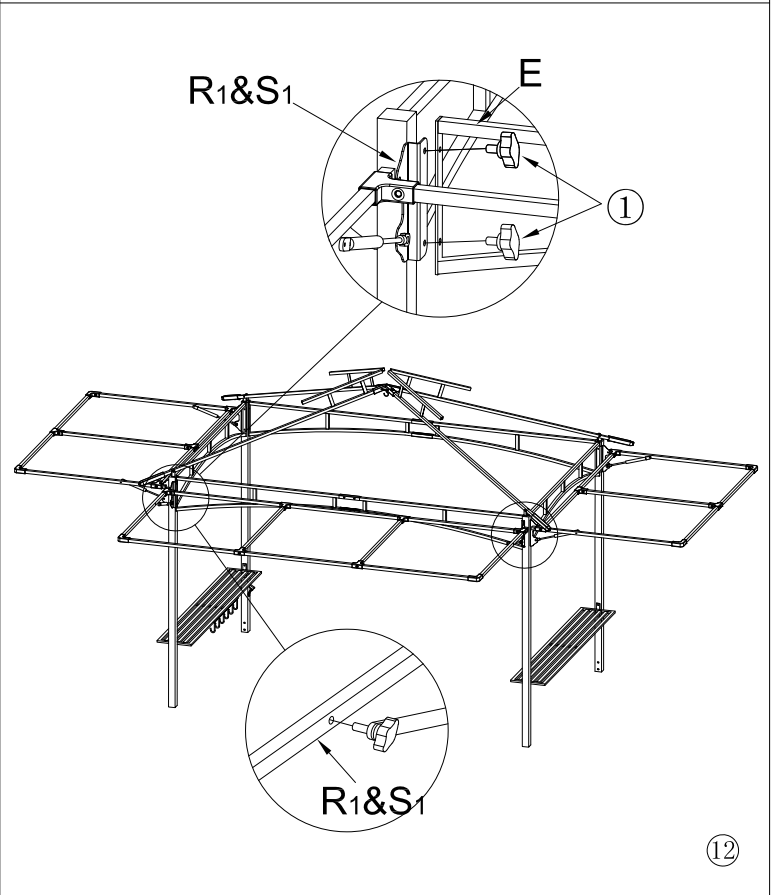
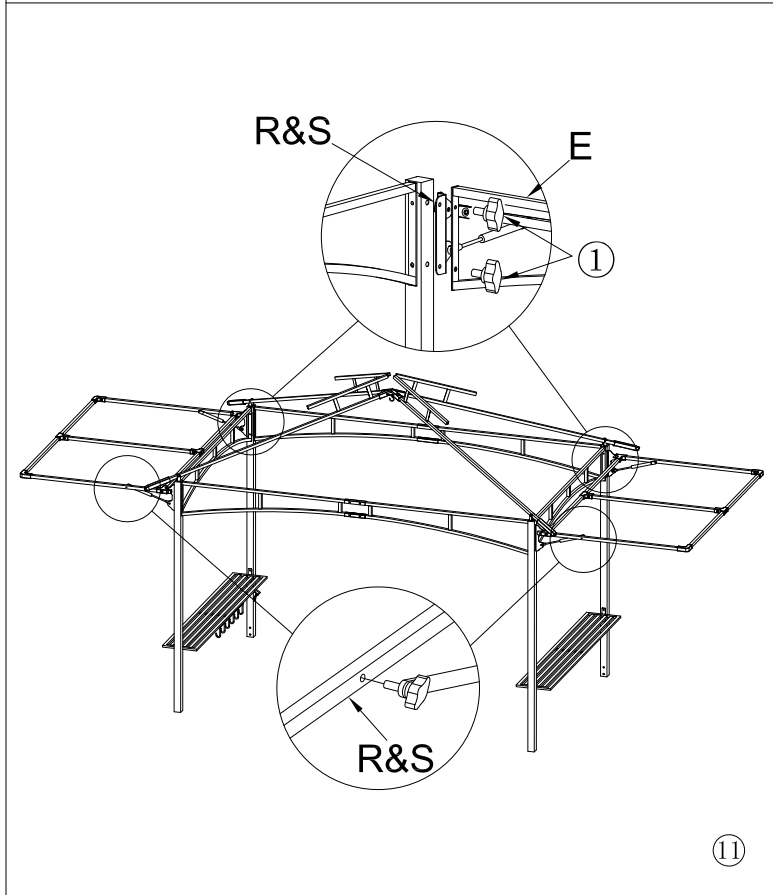
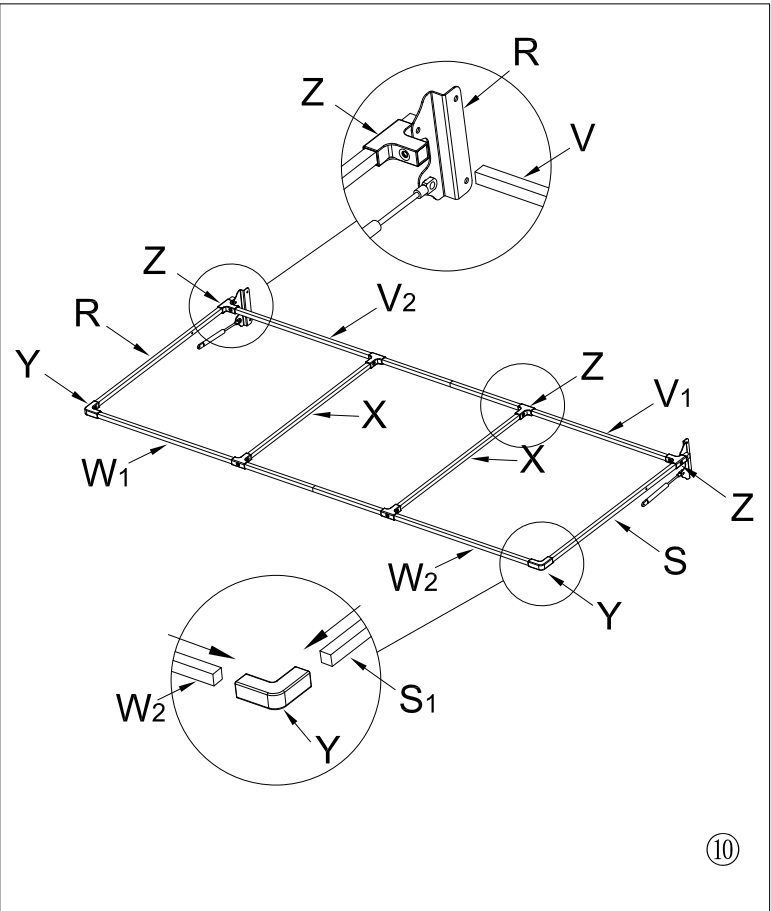
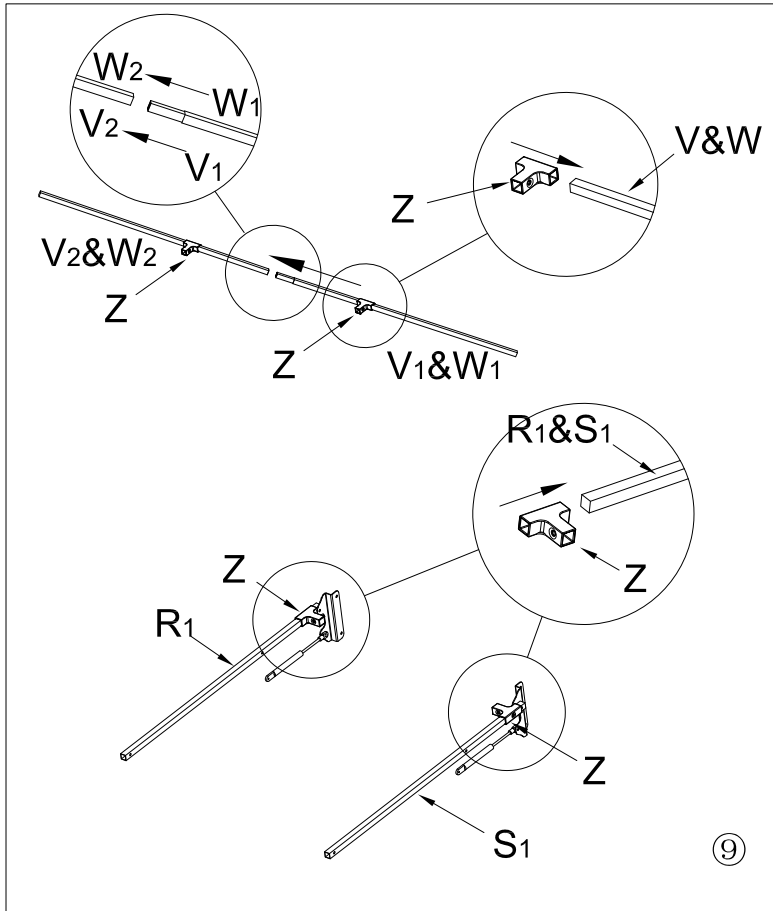
⑥



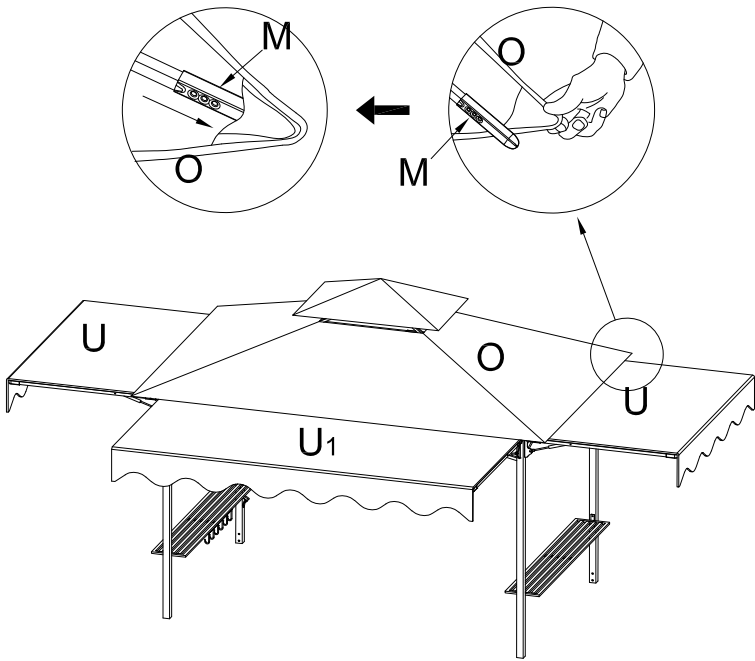
⑦



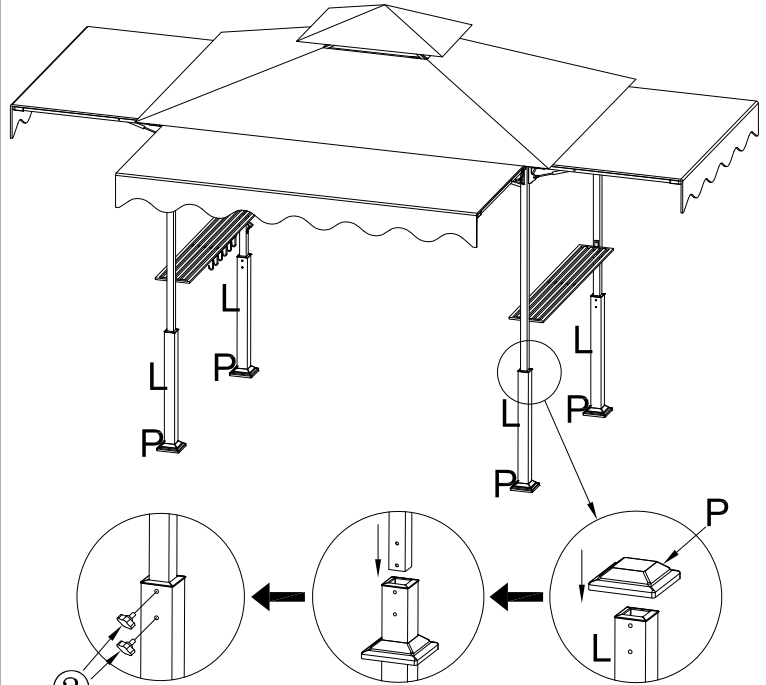
⑧



Pull out the extension tube (M) outwards to adjust the ceiling (O)

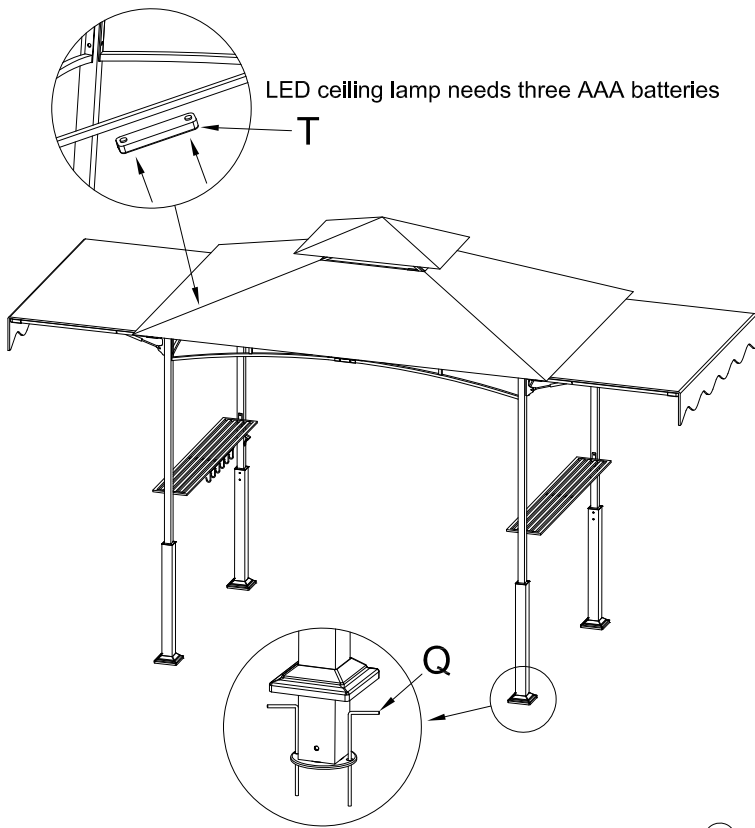


13



14

LED ceiling lamp needs three AAA batteries



15