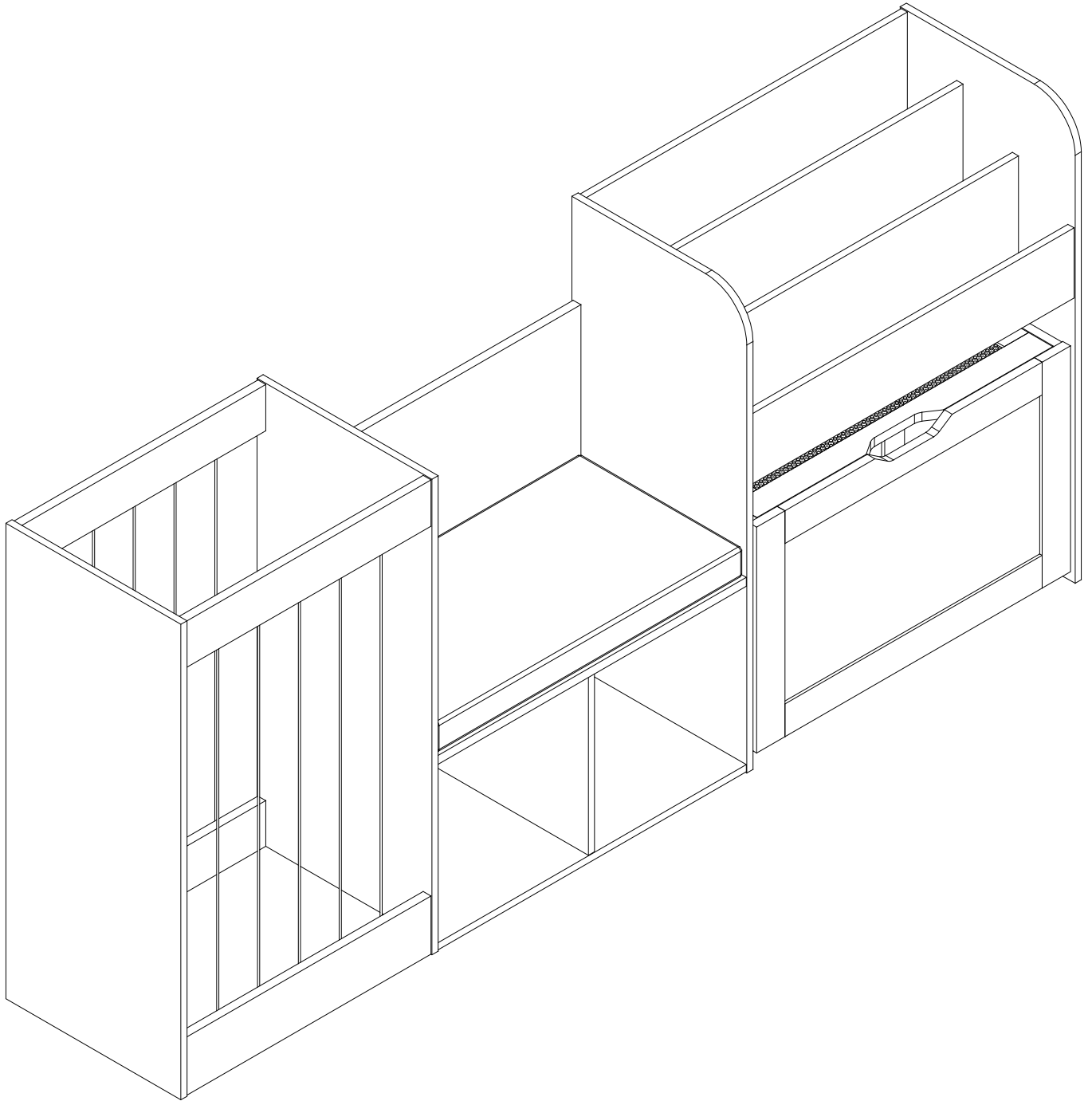


# Assembly Instruction



 **WARNING!!**

Assembled only by adults.

 **AVERTISSEMENT !!**

Assemblage uniquement par des adultes.



## Before You Start

Please read all instructions carefully and keep it for future reference.

### General Security Warning

**Caution:** Children should use this product under the parental supervision.

**Danger:** Keep all small parts and packaging materials for this product away from babies and children, otherwise they may pose a choking hazard.

**Danger:** Lack of attachment may cause a risk of tipping.



#### **WARNING: CHOKING HAZARD**

-Small parts.

Not for children under 3 years.

### Warning for Assembly

- ⚠ Assembled only by adults
- ⚠ Remove all packaging, separate and count all parts and hardware.
- ⚠ Read through each step carefully and follow the proper order.
- ⚠ We recommend that, where possible, all items are assembled near the area in which they will be placed in use, to avoid moving the product unnecessarily once assembled.
- ⚠ Ensure a secure surface during installation, and always place the product on a flat, steady and stable surface.



## Avant de Commencer

Veillez lire attentivement toutes les instructions et les conserver pour la référence ultérieure.

### Avertissement de Sécurité Générale

**Attention** : Les enfants doivent utiliser ce produit sous la surveillance de leurs parents.

**Danger** : Gardez toutes les petites pièces et les matériaux d'emballage de ce produit hors de la portée des bébés et des enfants pour éviter un risque d'étouffement.

**Danger** : Le manque de la fixation pourrait entraîner un risque de basculement.



#### AVERTISSEMENT : RISQUE D'ÉTOUFFEMENT

– Les petites pièces.

Ne convient pas aux enfants de moins de 3 ans.

### Avertissement pour l'Assemblage

- ⚠ Construction seulement par des adultes
- ⚠ Retirez tous les emballages, séparez et comptez toutes les pièces et le matériel.
- ⚠ Lisez attentivement chaque étape et suivez l'ordre correct.
- ⚠ Nous recommandons que, dans la mesure du possible, tous les articles soient assemblés à proximité de la zone dans laquelle ils seront utilisés, afin d'éviter de déplacer inutilement le produit une fois assemblé.
- ⚠ Assurez-vous que la surface soit solide pendant la construction et placez toujours le produit sur une surface plane et stable.

---

**EN**



## **WARNING**

Serious or fatal injury may occur from unexpected assembly or use.

1. During the assembly process, keep all parts away from babies or children.
2. Always securely fix this product to the wall. Make sure the wall area to be drilled is free from hidden electrical wires, water and gas pipes.
3. Use of tip-over restraints may only reduce, but not eliminate the risk of tip-over.
4. Unless specially designed to accommodate, do not set heavy objects on top of this product.
5. Place the heaviest items on the lowest shelf.
6. Never allow children to climb or bang on drawers, doors or shelves.
7. Assembled only by adults.

---

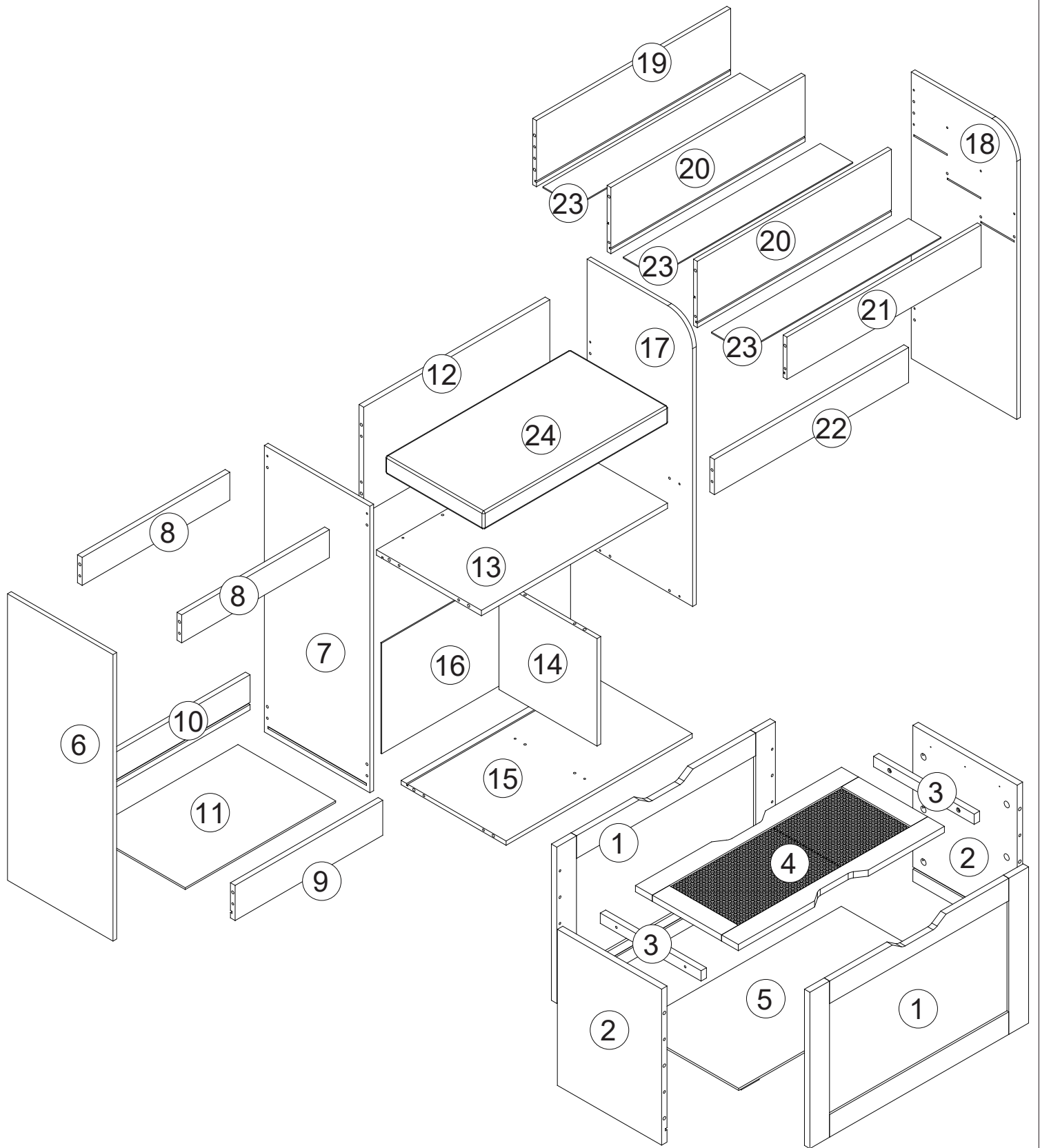
**FR**

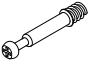

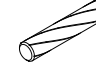
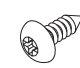









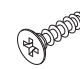




## **AVERTISSEMENT**

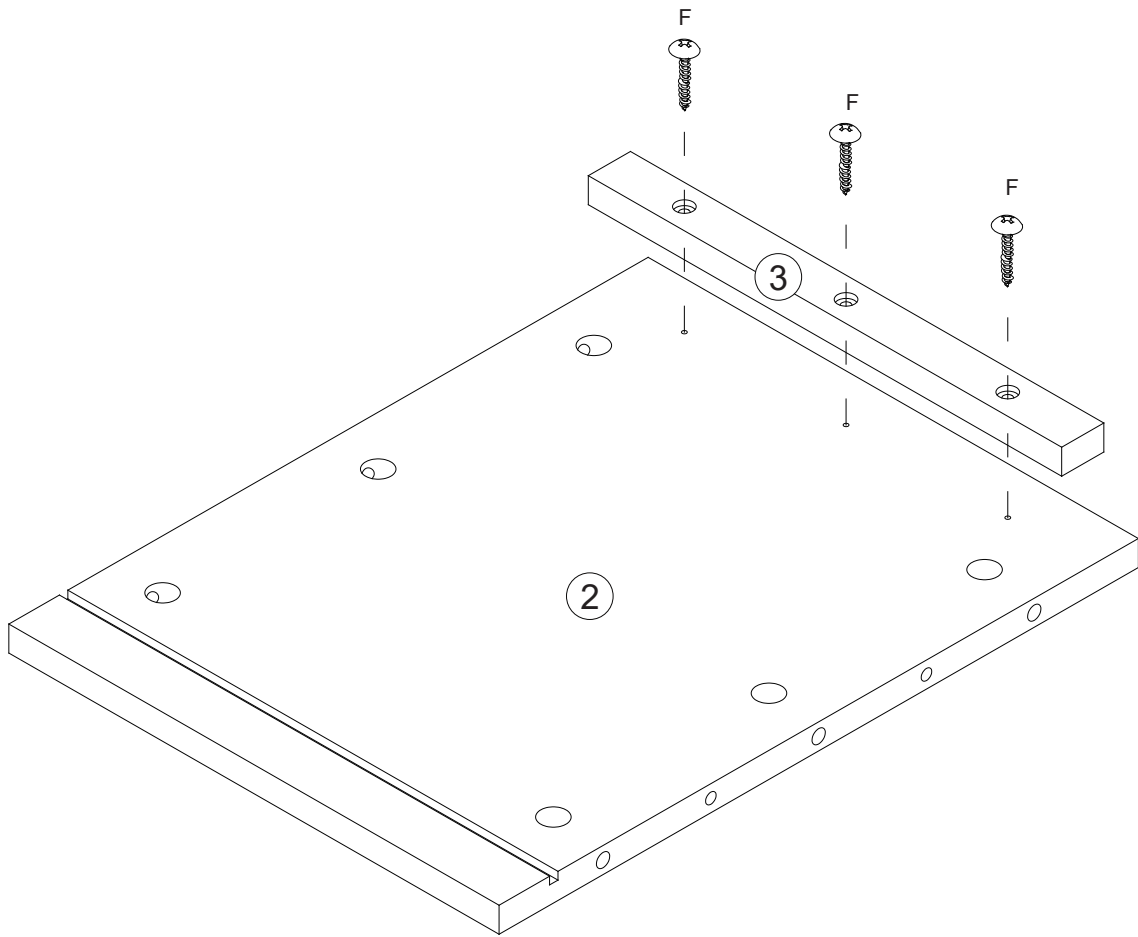
Des blessures graves ou mortelles peuvent survenir en cas d'assemblage ou d'utilisation inattendus.

1. Pendant le processus d'assemblage, gardez toutes les pièces hors de portée des bébés ou des enfants.
2. Fixez toujours solidement ce produit au mur. Assurez-vous que la zone murale à percer est exempte de fils électriques cachés, de conduites d'eau et de gaz.
3. L'utilisation de dispositifs de retenue en cas de basculement peut seulement réduire le risque de basculement, mais ne l'élimine pas.
4. Ne pas poser d'objets lourds sur ce produit, sauf s'il a été spécialement conçu à cet effet.
5. Placez les objets les plus lourds sur l'étagère la plus basse.
6. Ne laissez jamais les enfants grimper ou se cogner sur les tiroirs, les portes ou les étagères.
7. Assemblage uniquement par des adultes.

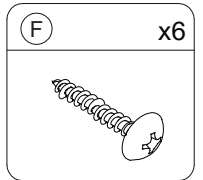


<b>A</b> x43+2  M6x35mm	<b>B</b> x43+2  Ø15x9mm	<b>C</b> x46+2  Ø6x30mm	<b>D</b> x38+2  Ø4x12mm	<b>E</b> x4 	<b>F</b> x6  Ø4x20mm	<b>G</b> x7  Ø4x35mm	<b>H</b> x3  Ø6x45mm	<b>I</b> x10+1 
<b>J</b> x3  Ø10x10mm	<b>K</b> x2 	<b>L</b> x2 	<b>M</b> x4 	<b>N</b> x4  Ø3x14mm	<b>O</b> x4 	<b>P</b> x1 		

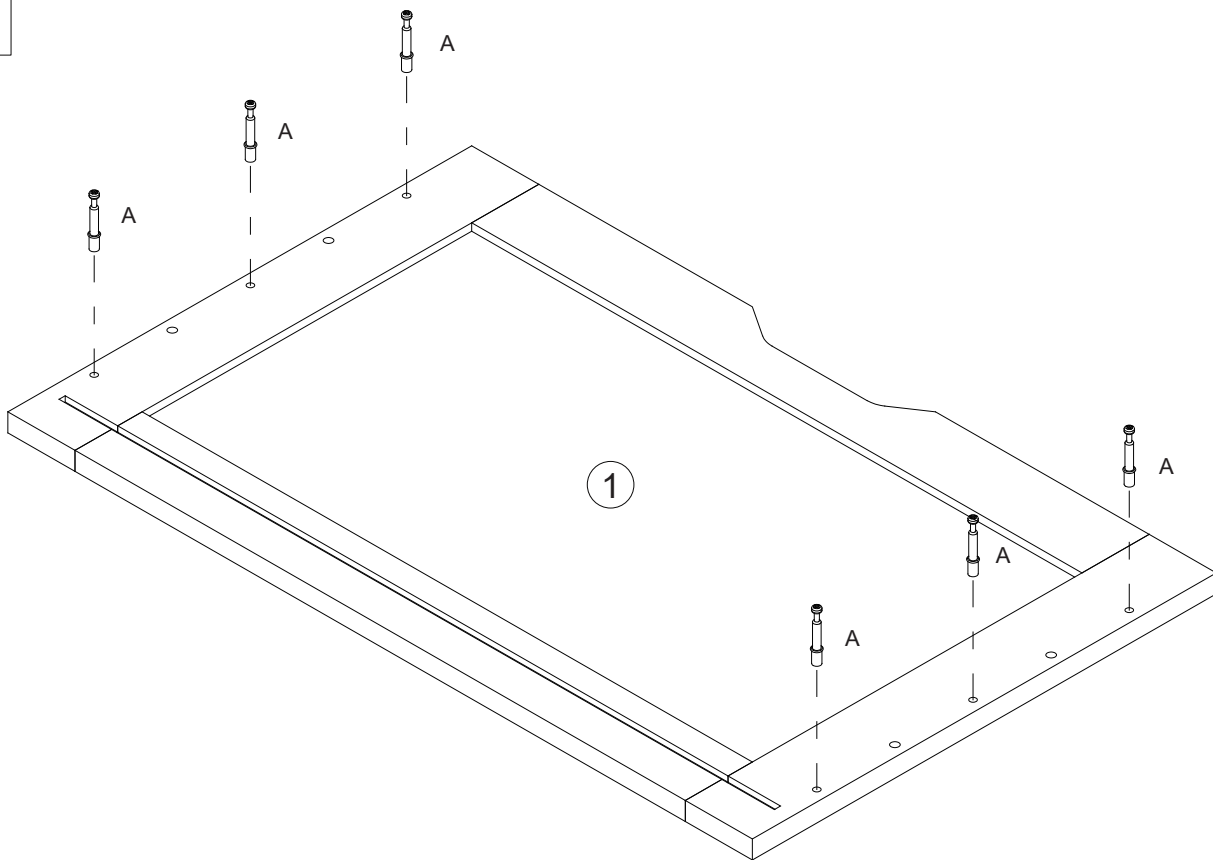
1



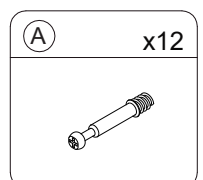
x2



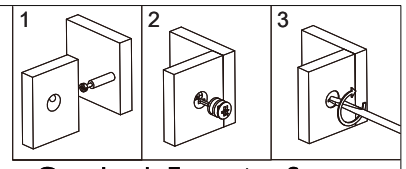
2



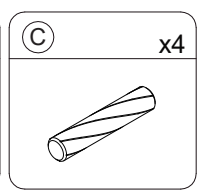
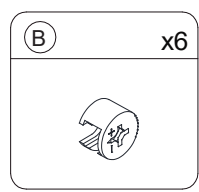
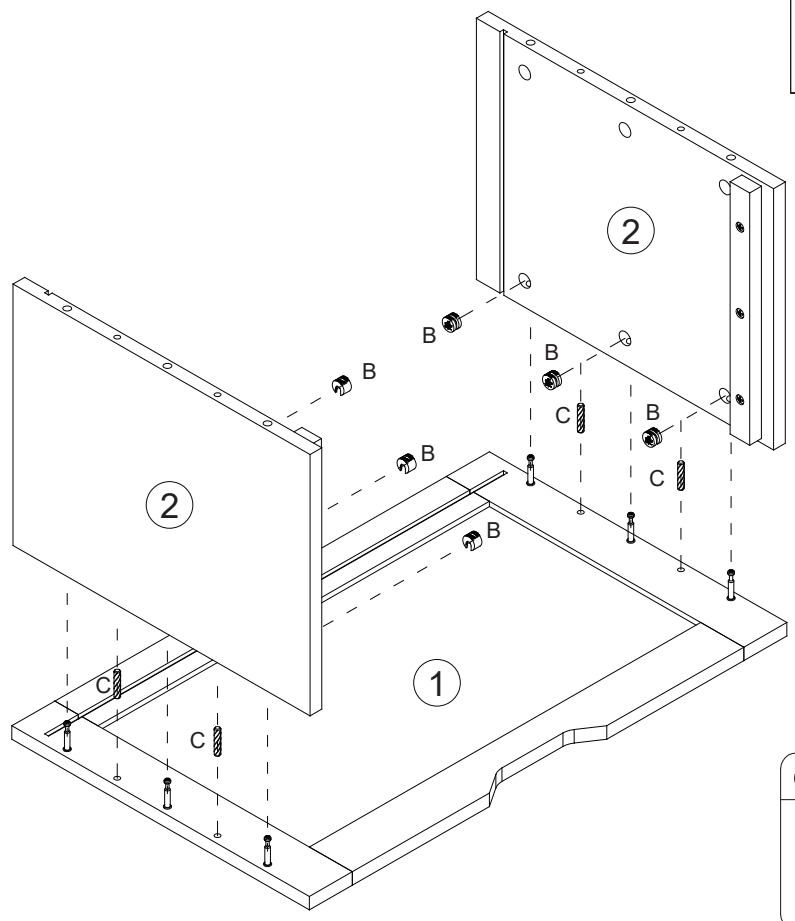
x2



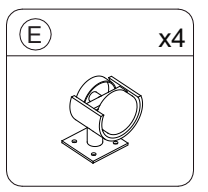
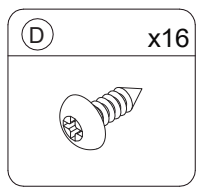
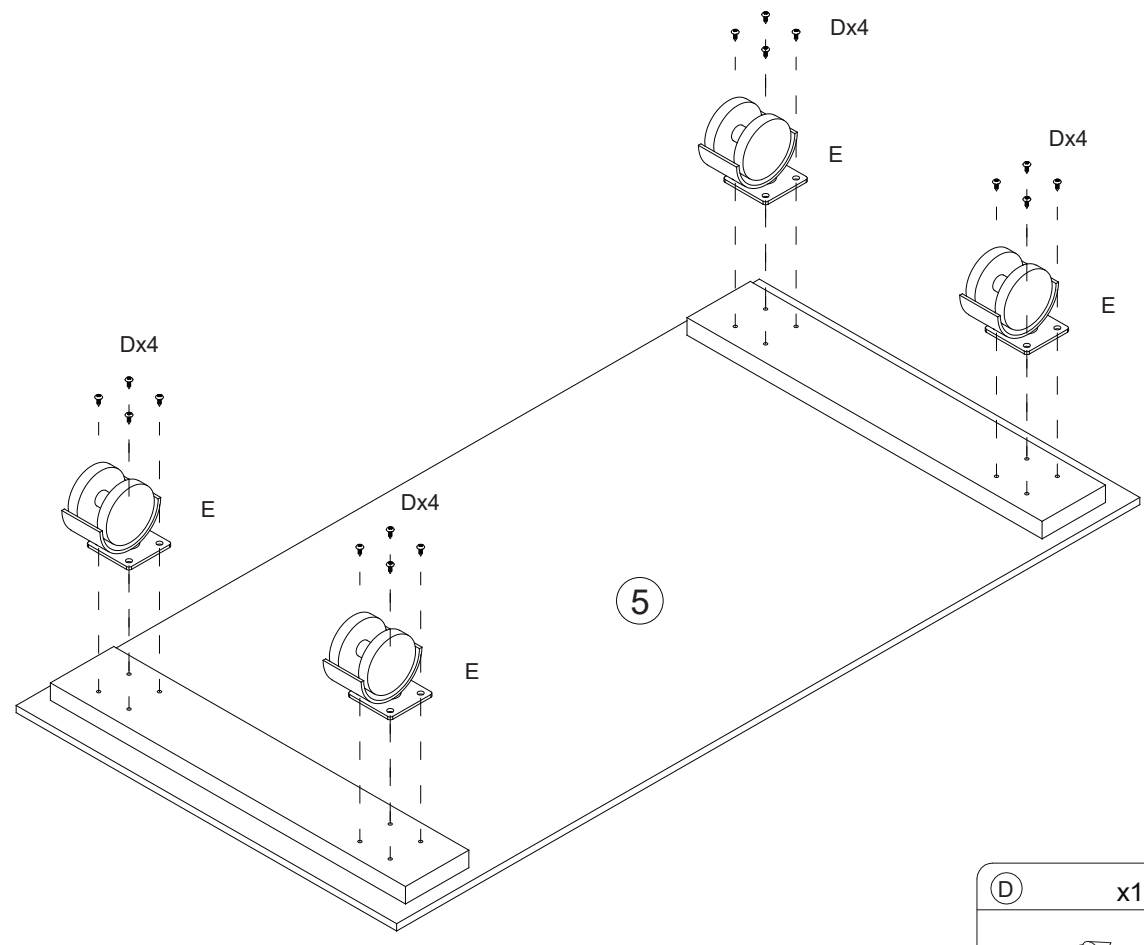
3



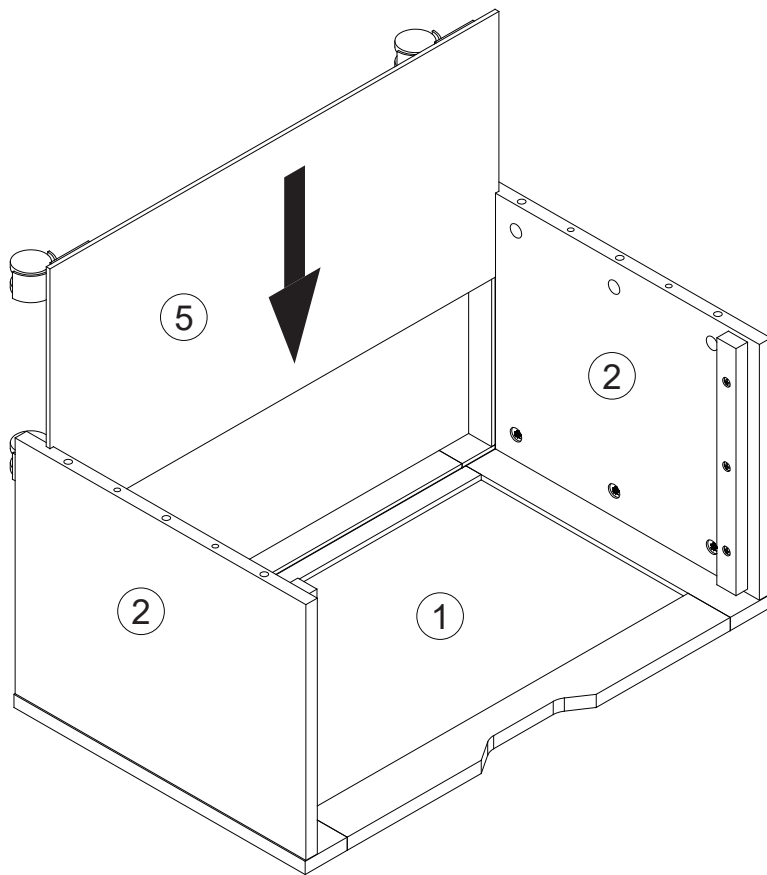
Cam Lock Fastening System



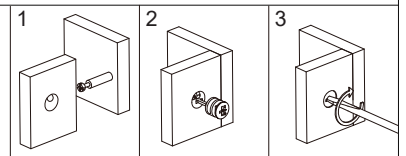
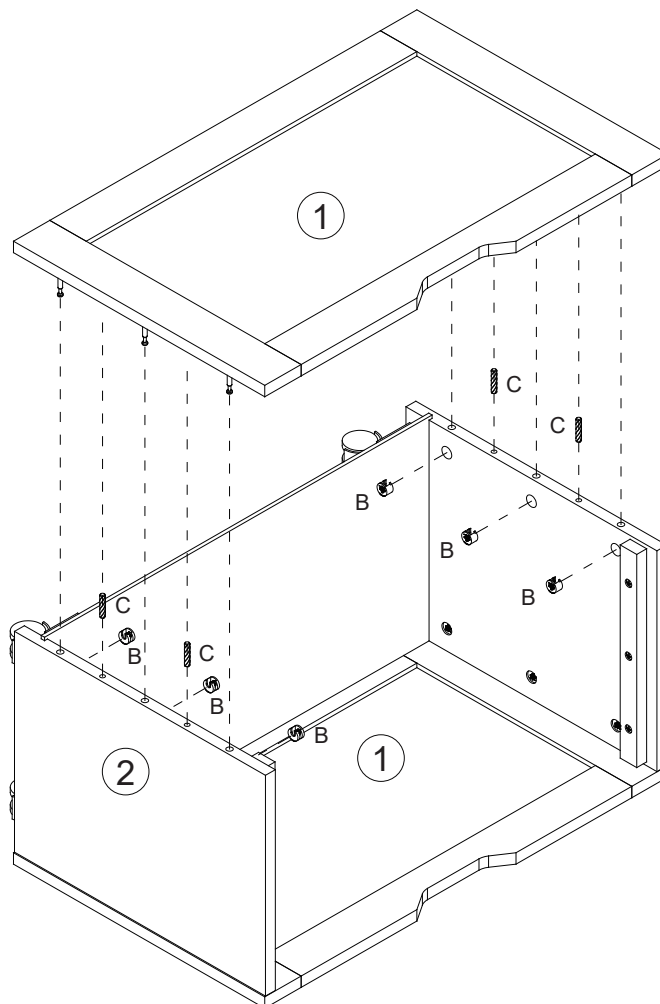
4



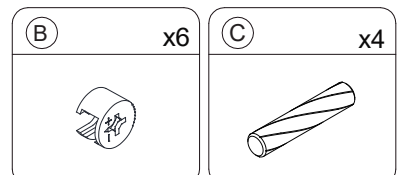
5



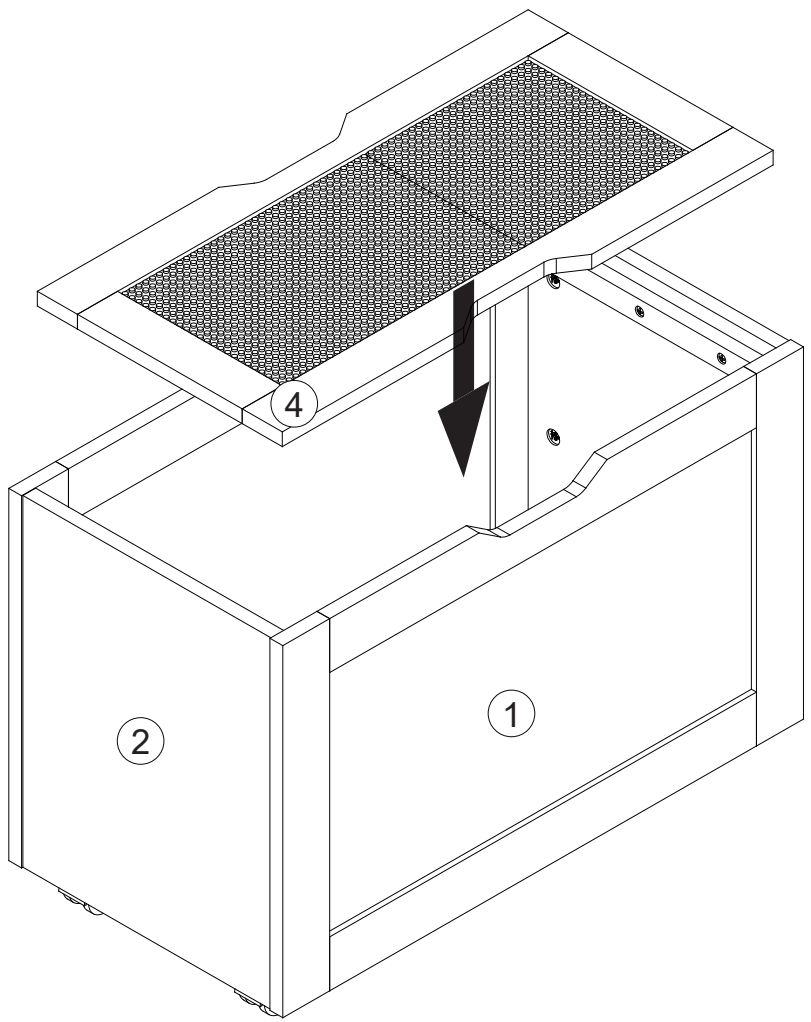
6



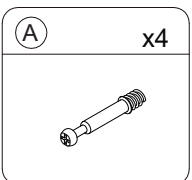
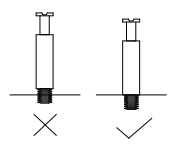
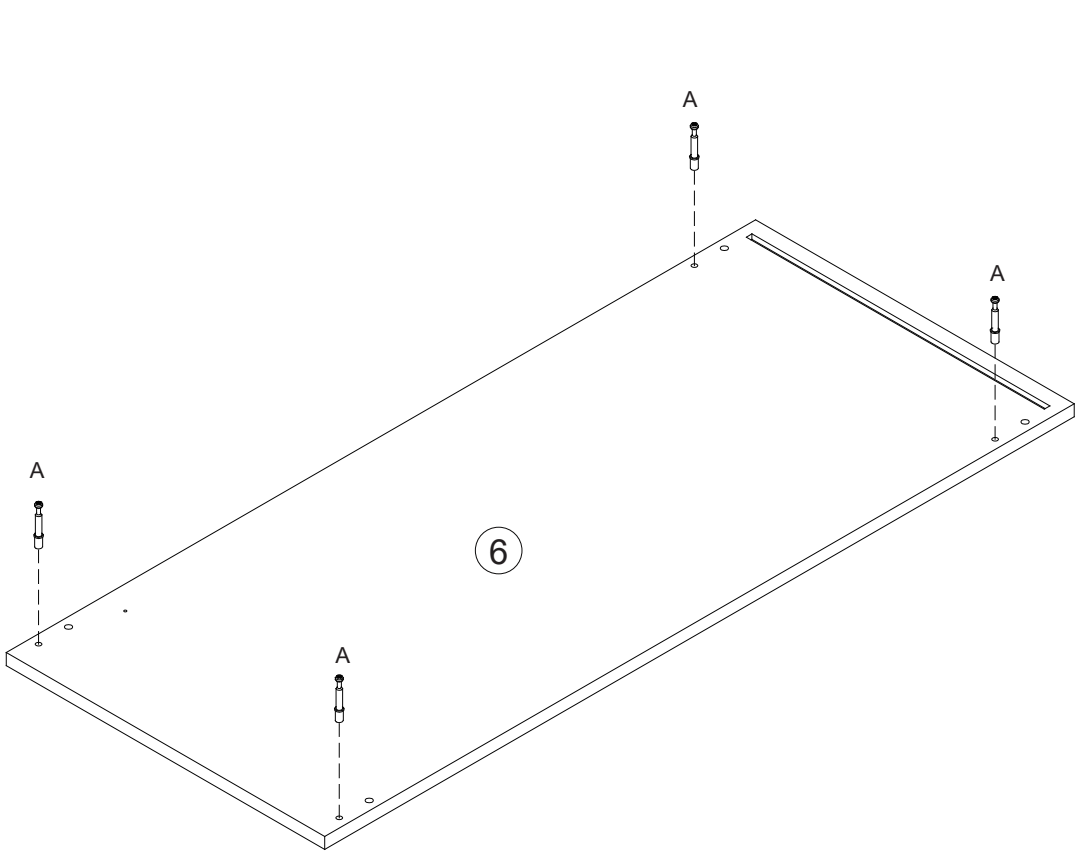
Cam Lock Fastening System



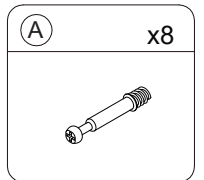
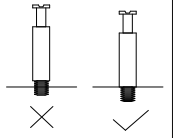
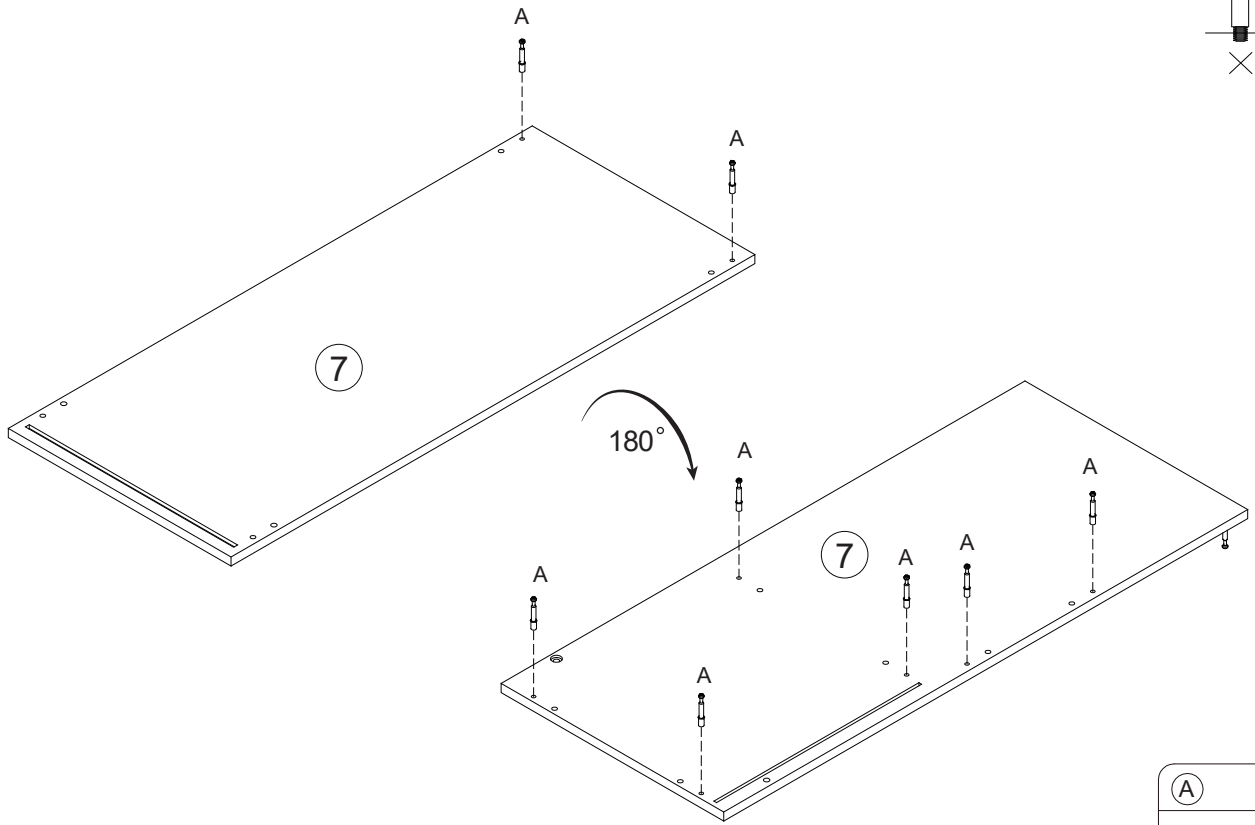
7



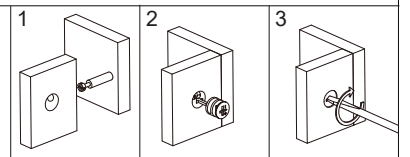
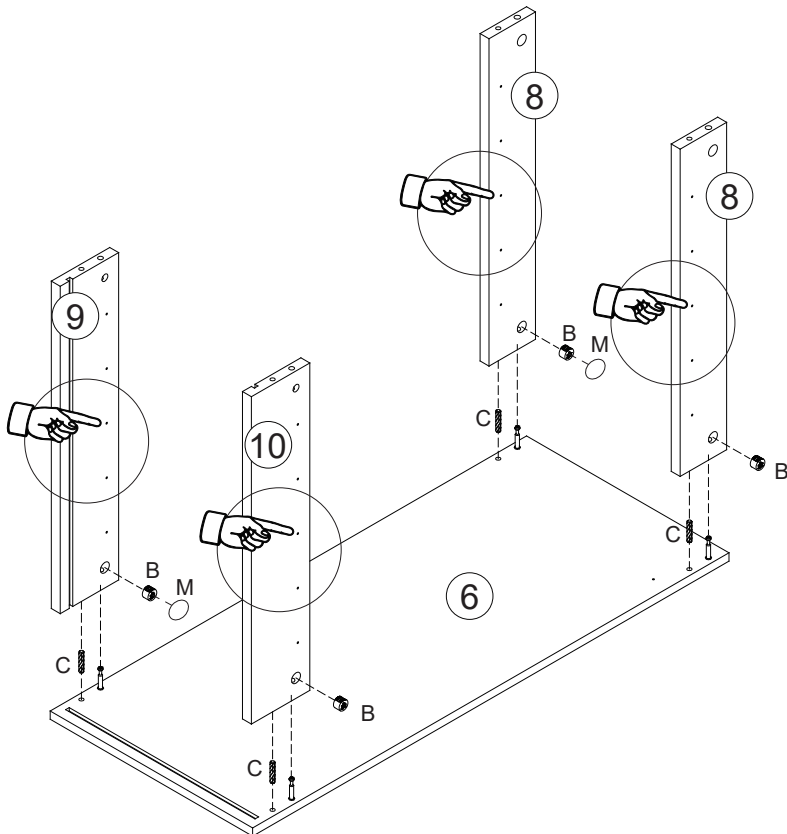
8



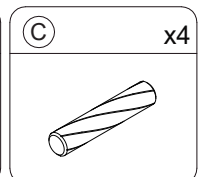
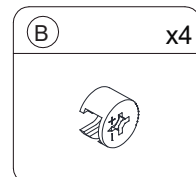
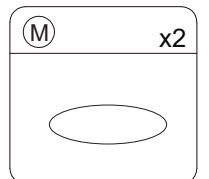
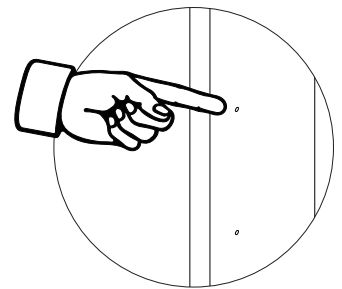
9



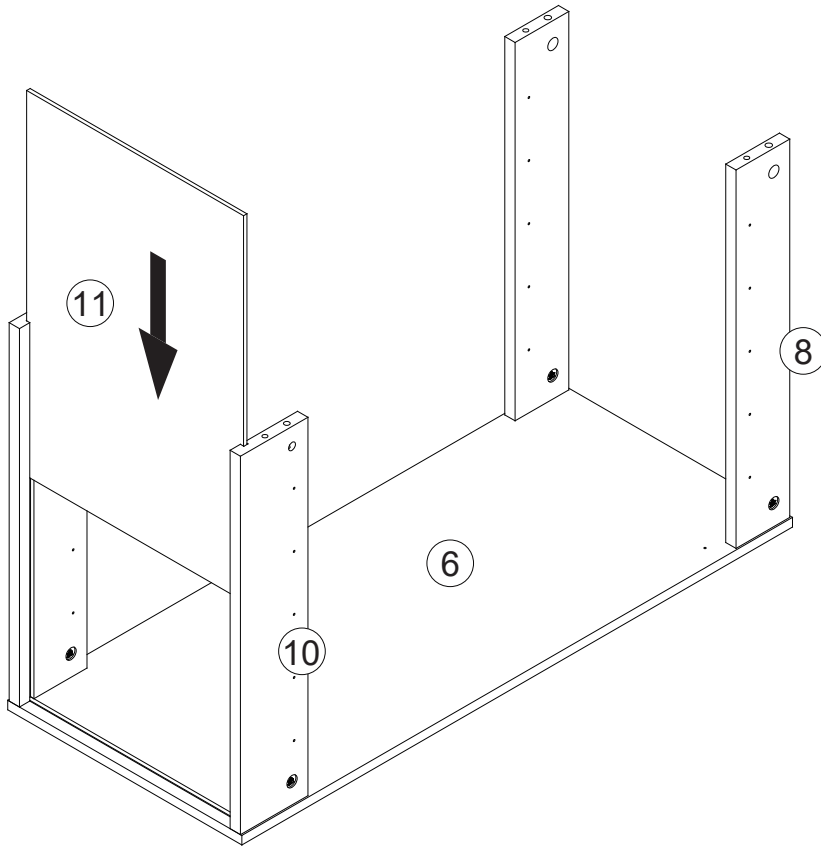
10



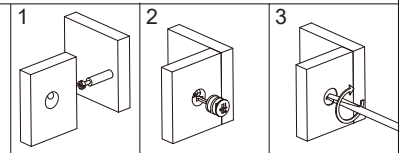
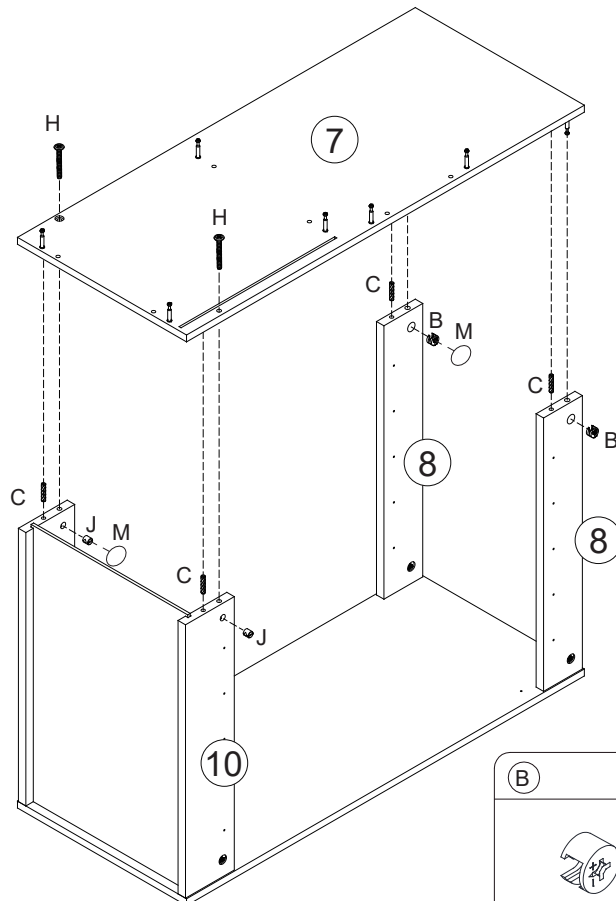
Cam Lock Fastening System



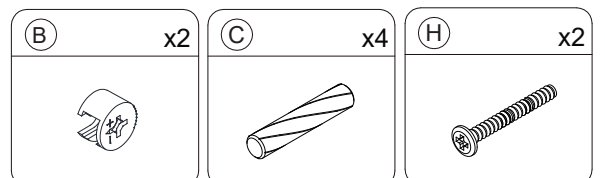
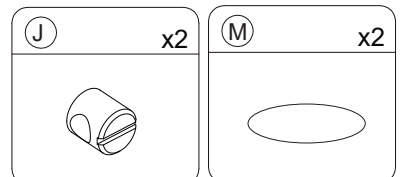
11



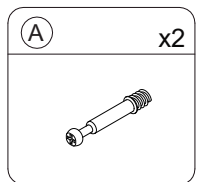
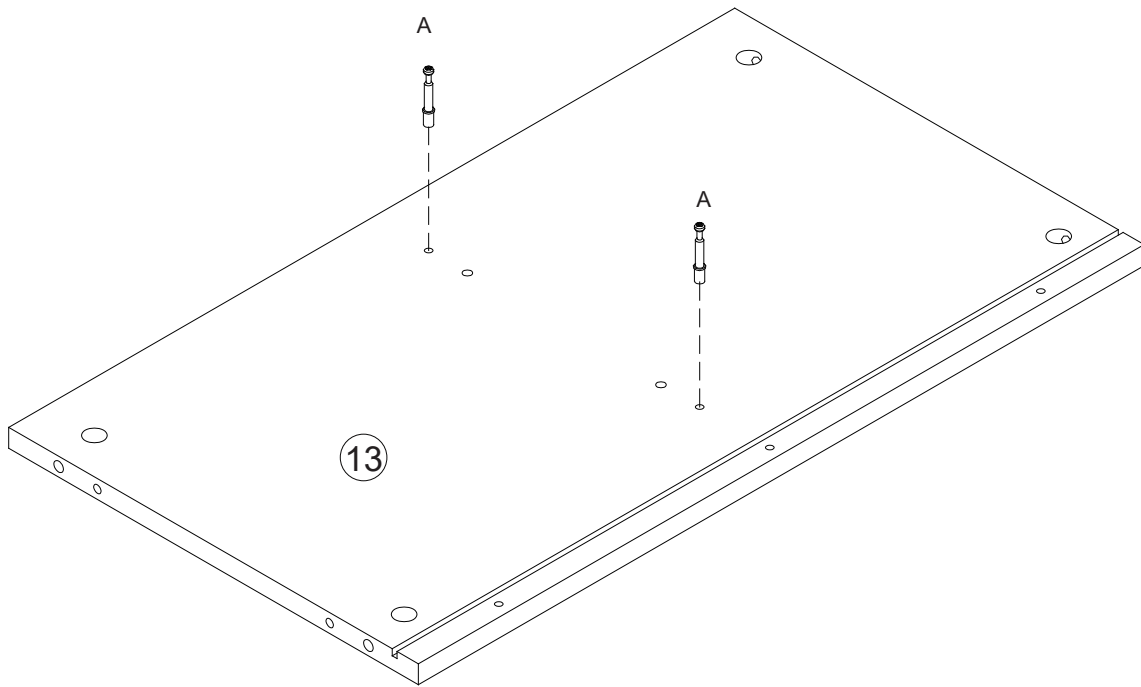
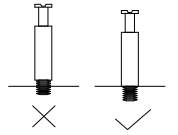
12



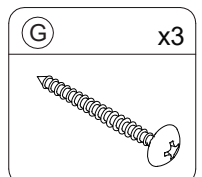
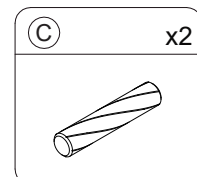
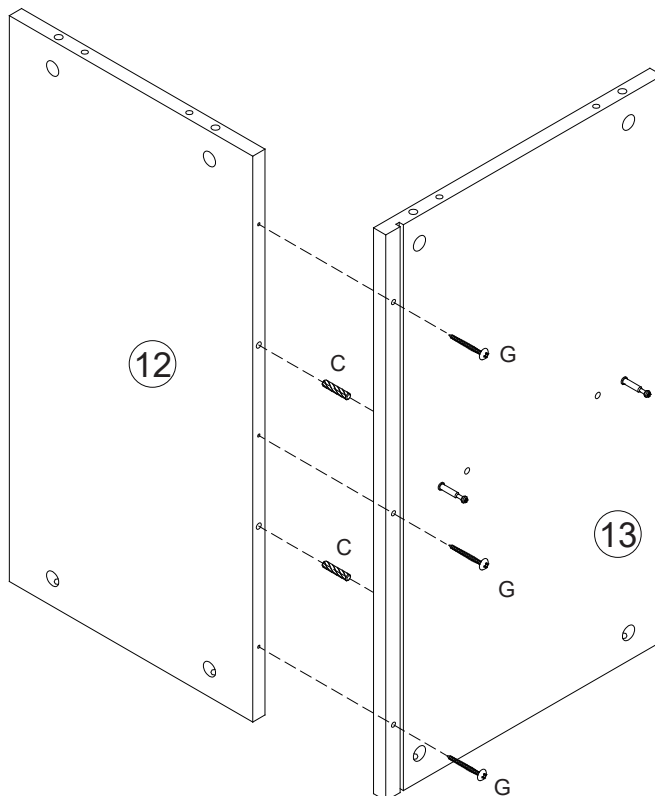
Cam Lock Fastening System



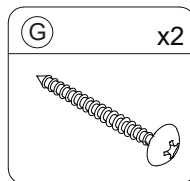
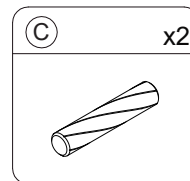
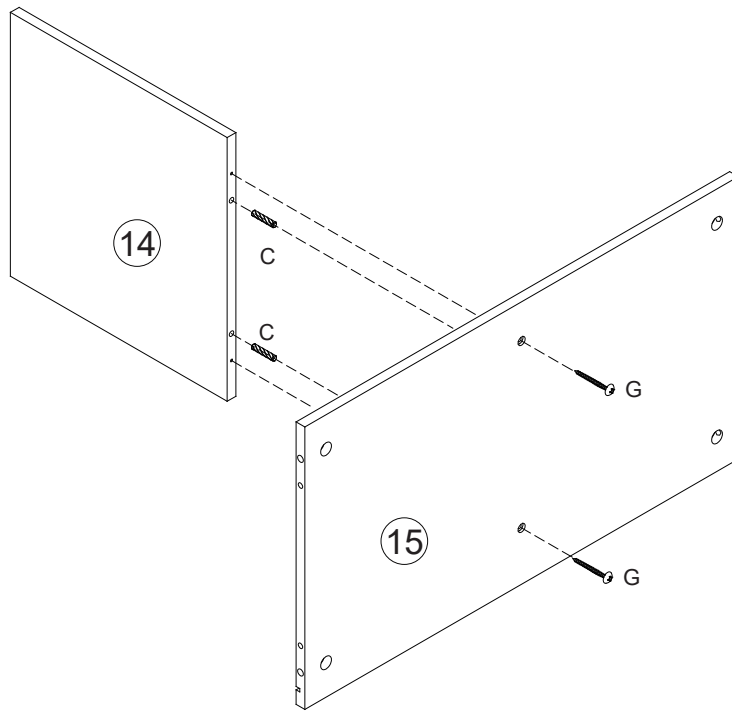
13



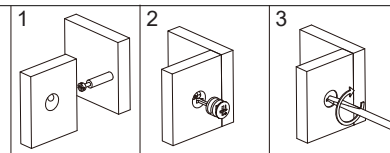
14



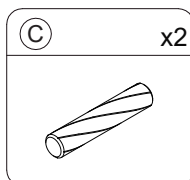
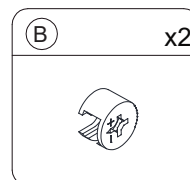
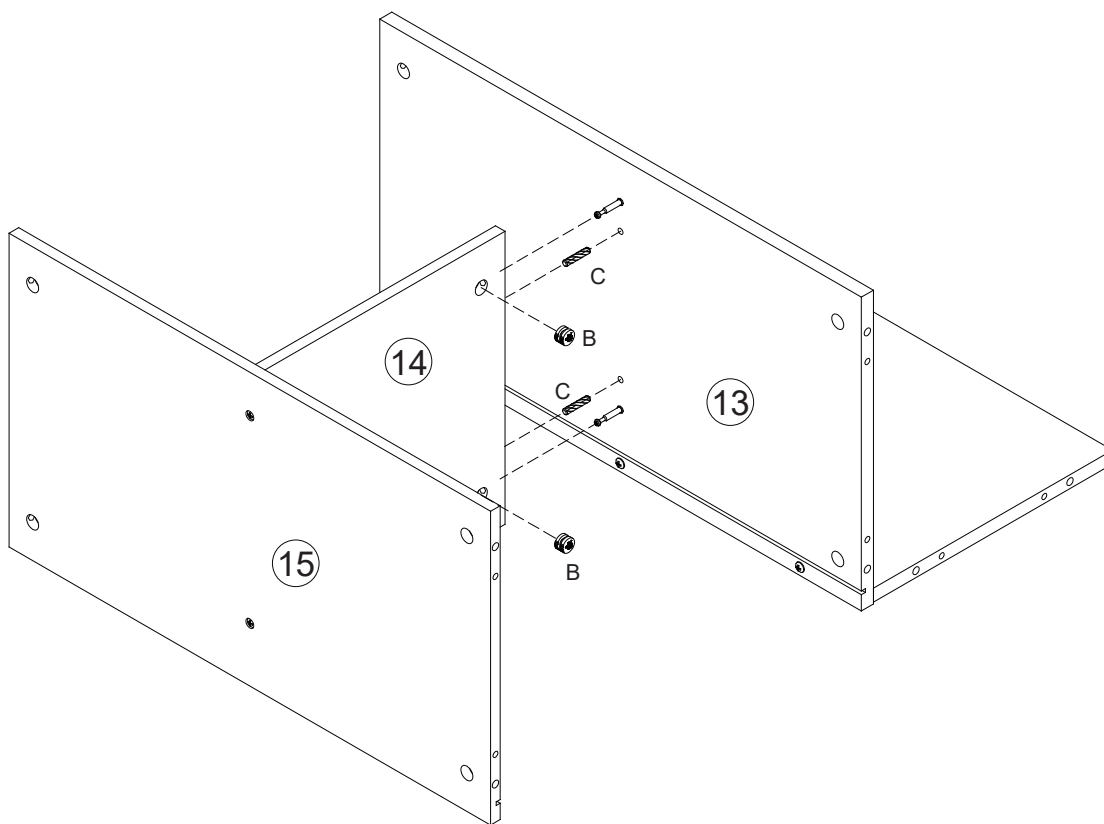
15

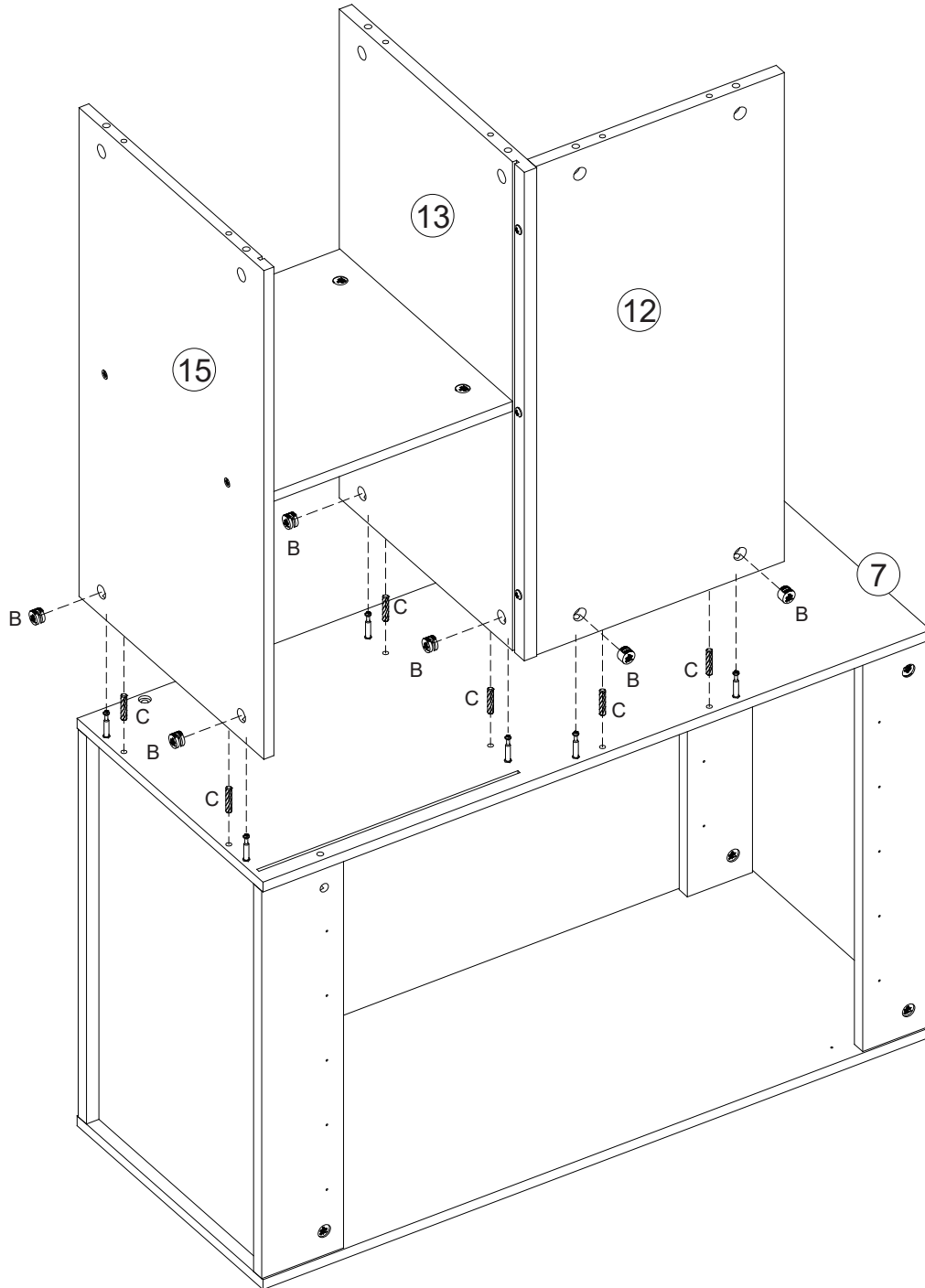
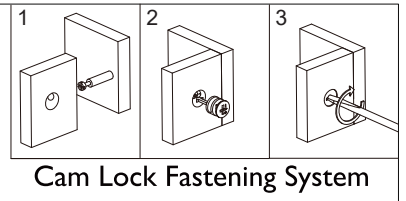




16



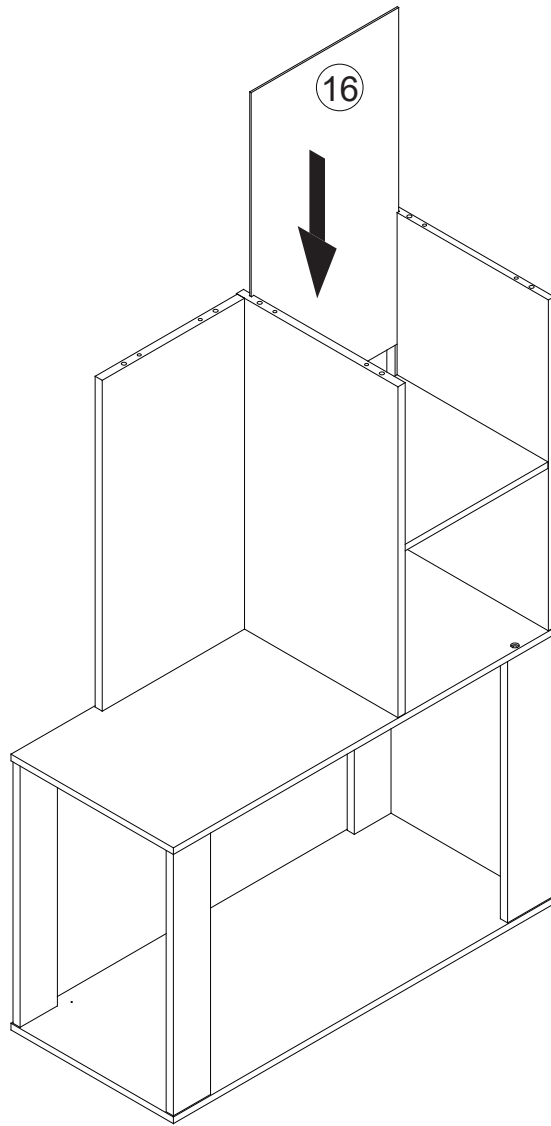
Cam Lock Fastening System



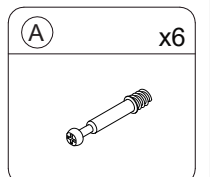
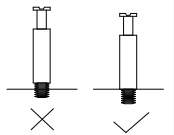
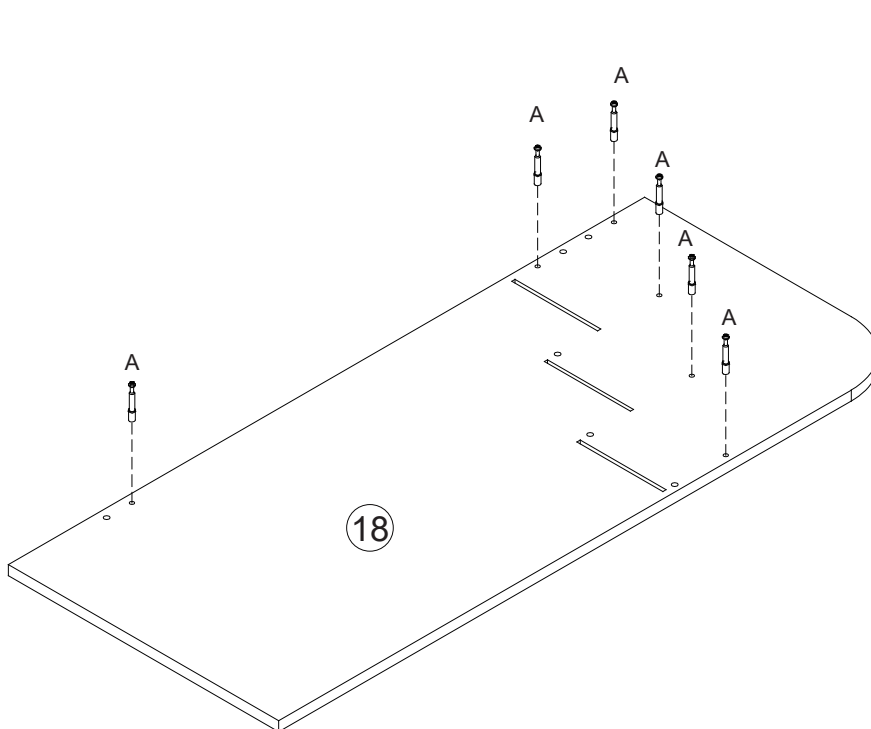


(B)	x6	(C)	x6
			

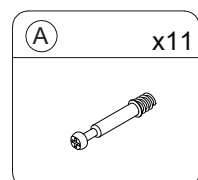
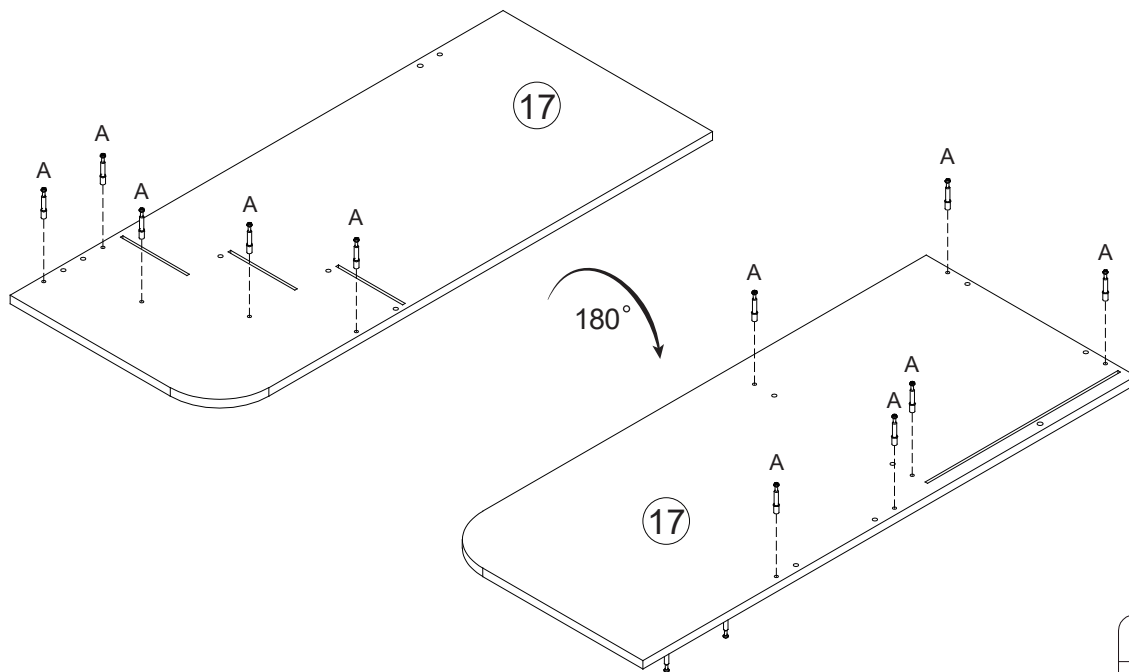
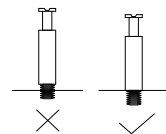
18



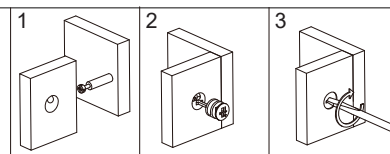
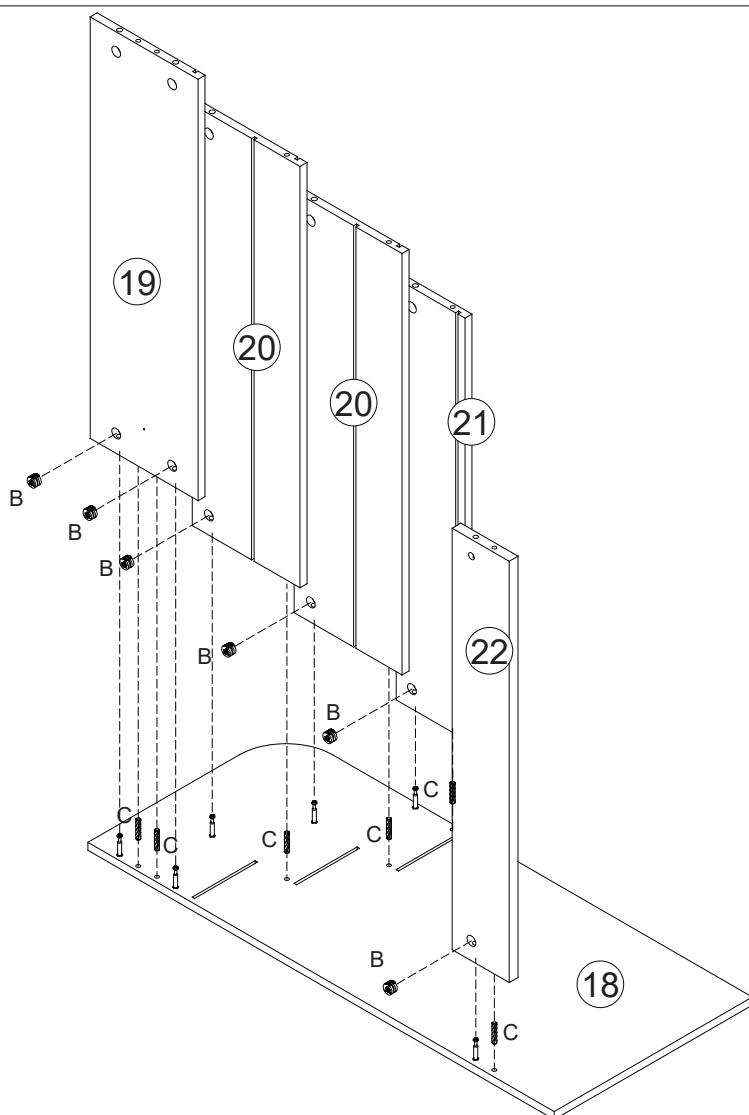
19



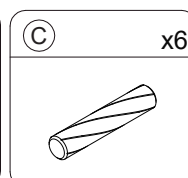
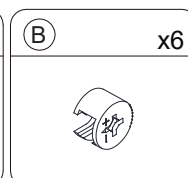
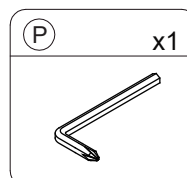
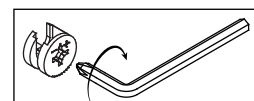
20



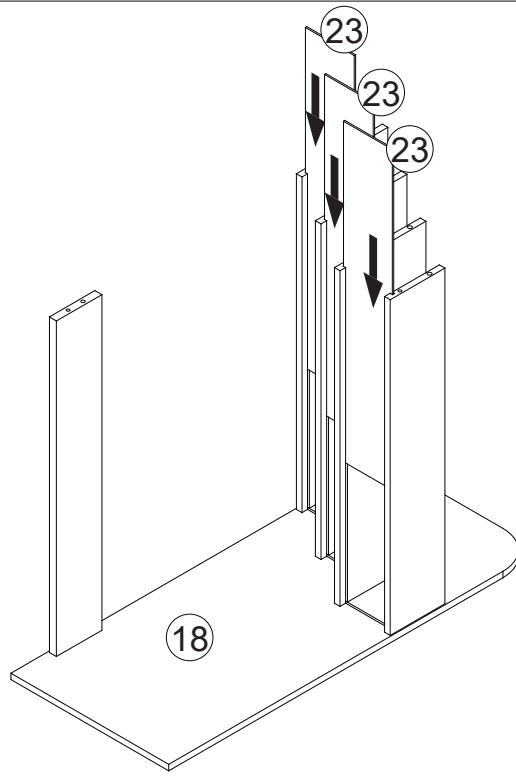
21



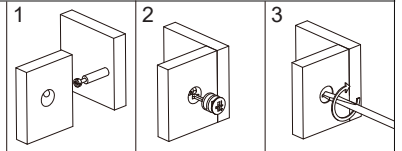
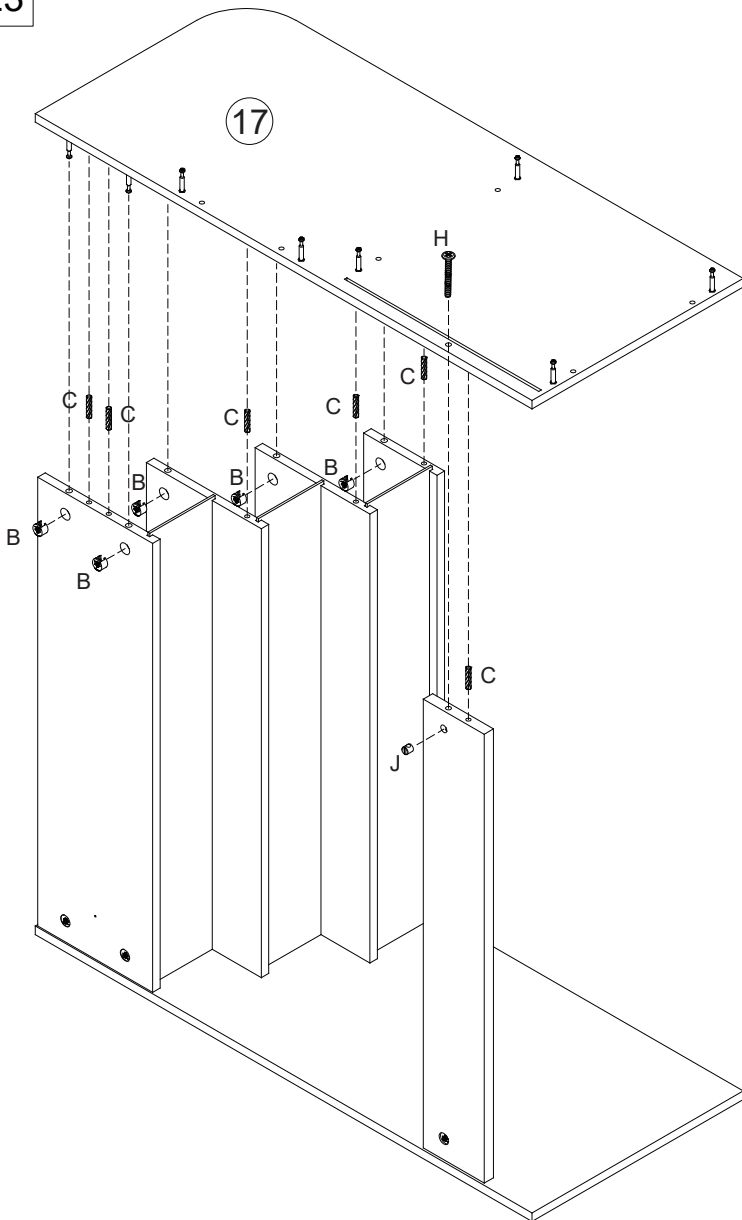
Cam Lock Fastening System



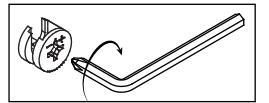
22



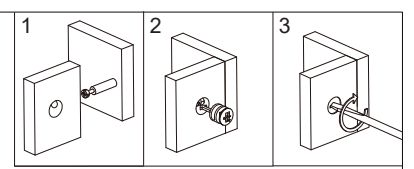
23



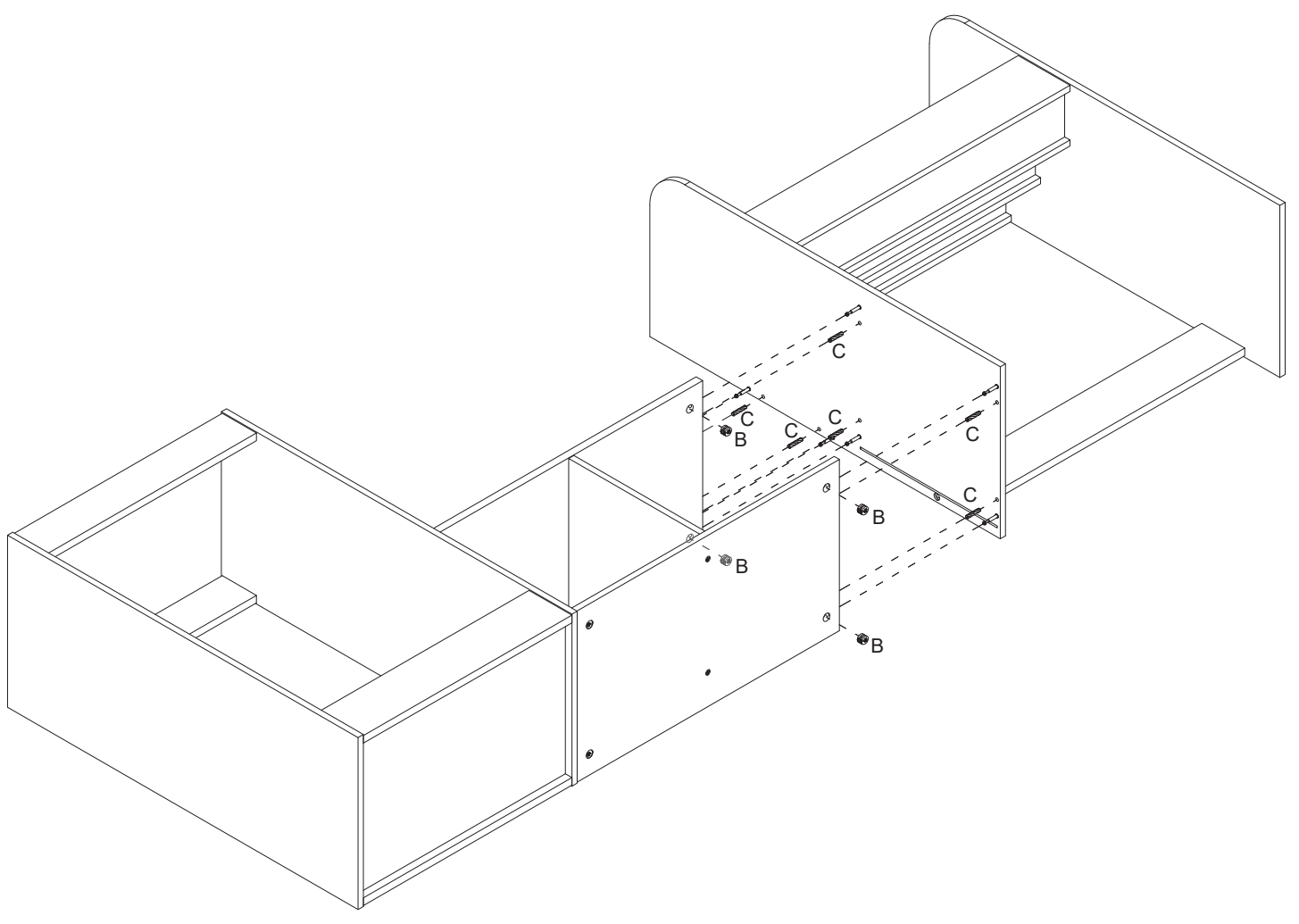
Cam Lock Fastening System


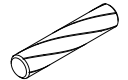


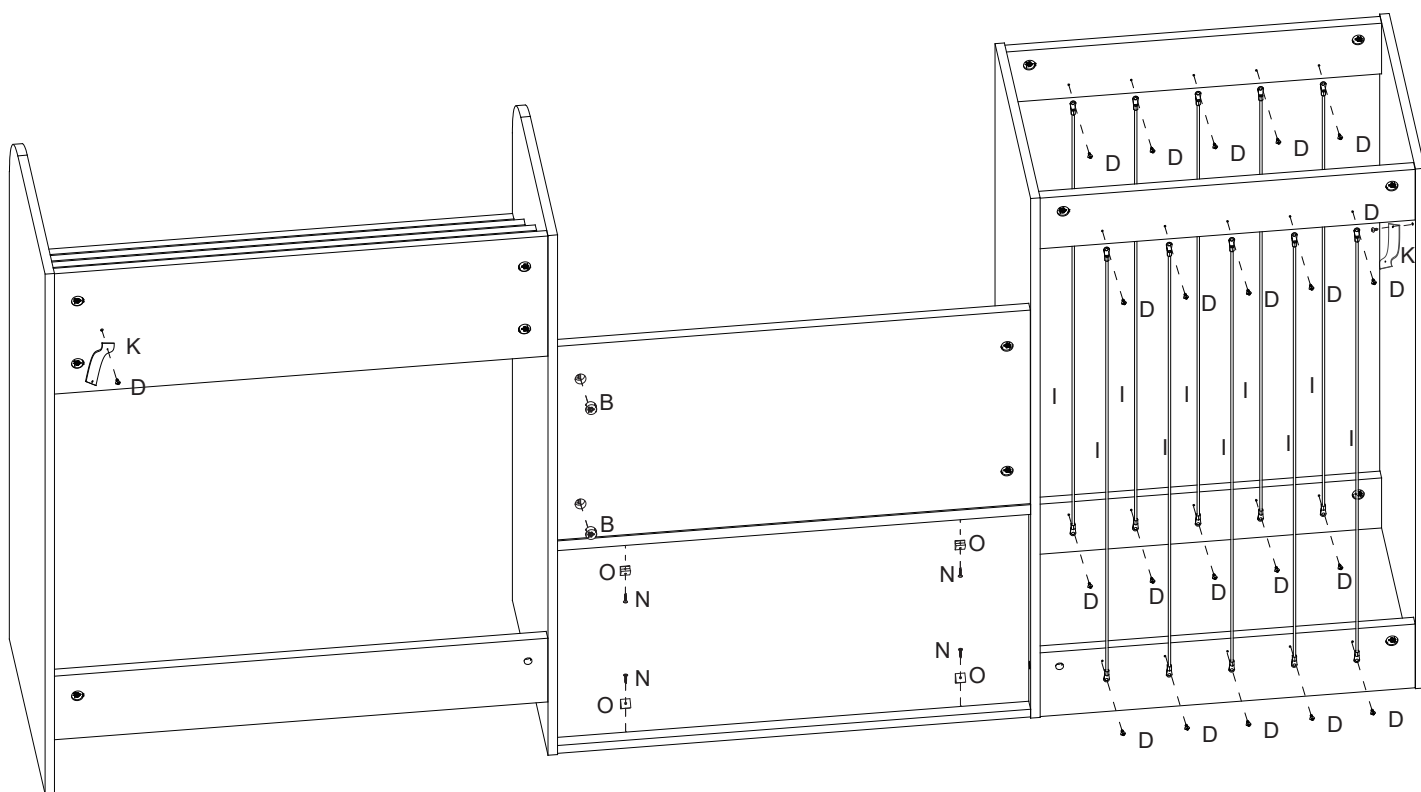
<p>(J) x1</p>	<p>(H) x1</p>
<p>(P) x1</p>	<p>(B) x5</p>
<p>(C) x6</p>	


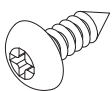


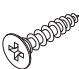
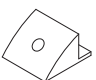


Cam Lock Fastening System



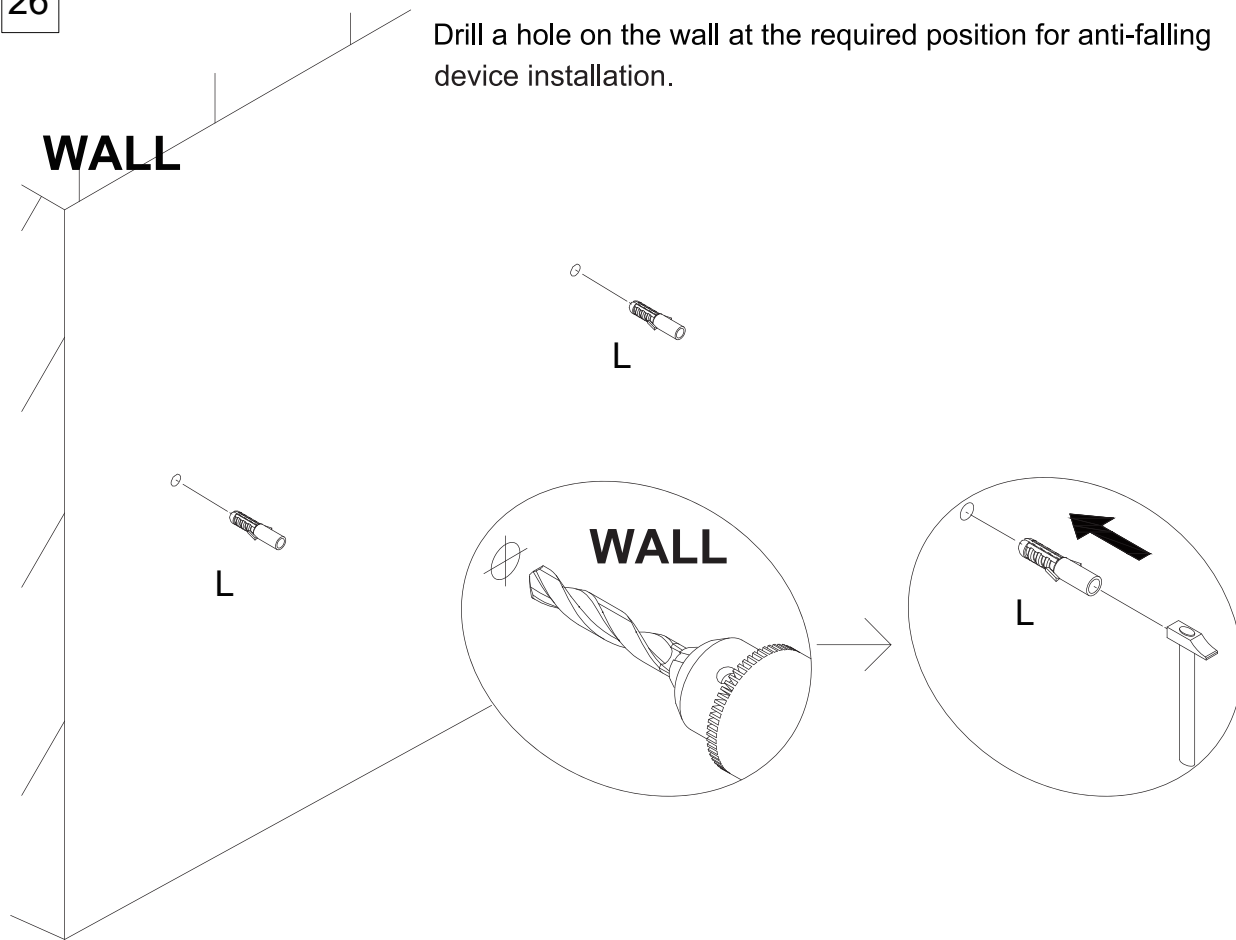
(B)	x4	(C)	x6
			



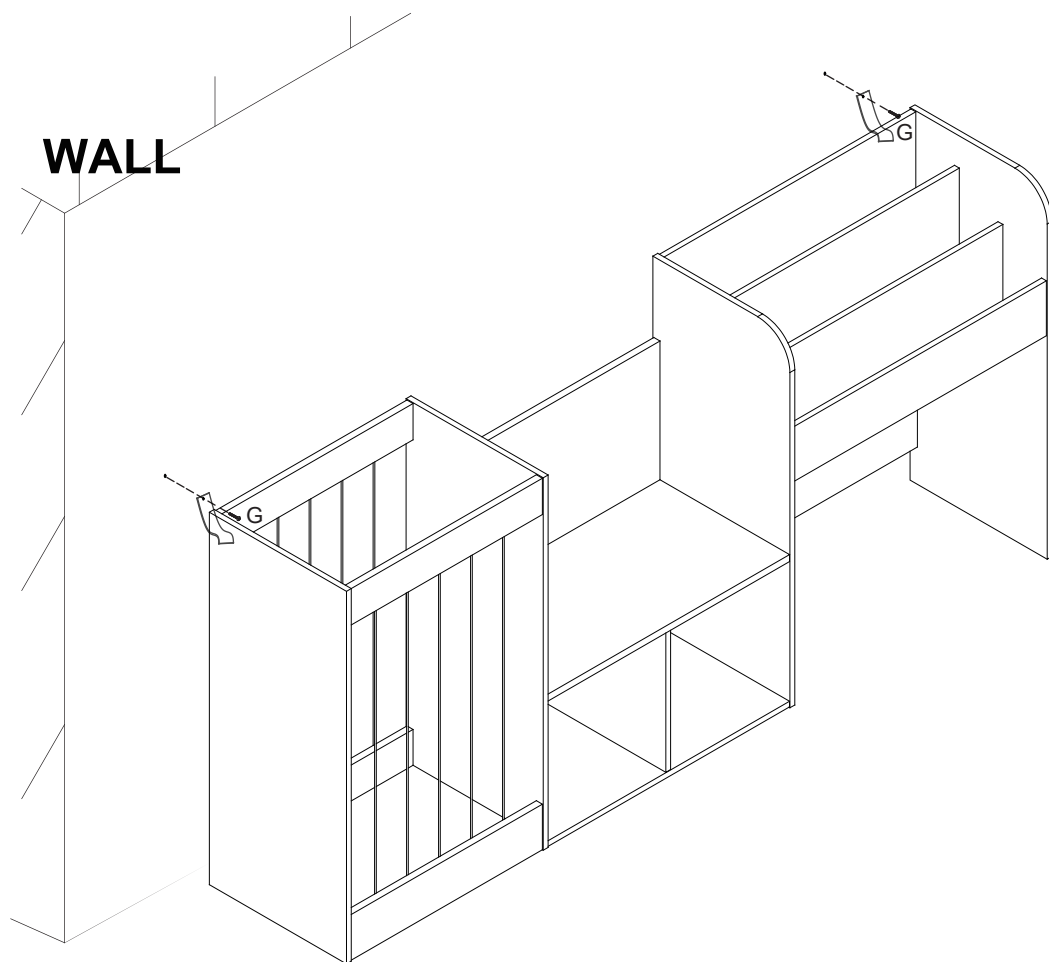
<p>(B) x2</p> 	<p>(D) x22</p> 	<p>(I) x10</p> 	<p>(K) x2</p> 	<p>(N) x4</p> 	<p>(O) x4</p> 
---	--	--	--	---	---

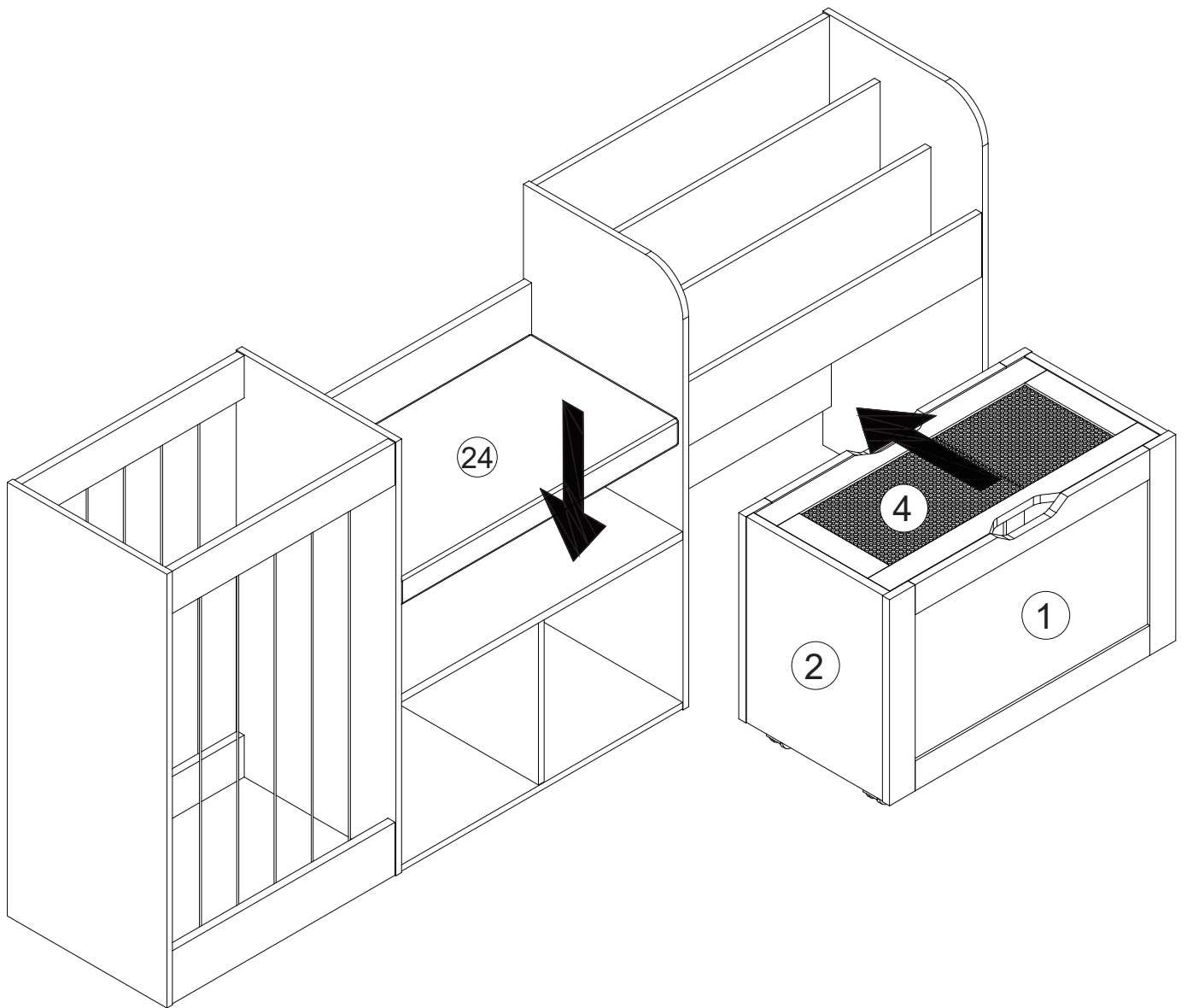
26

Drill a hole on the wall at the required position for anti-falling device installation.



27





# A Guide to Wall Mounting & Fixings

## Important note:

If plastic wall plugs (rawl plugs) are supplied with your product, eg:



- these are suitable for use in masonry walls

If you are in any doubt about the correct wall plugs for your wall, seek professional advice.

Failure of the product due to using the incorrect fixings is the responsibility of the installer.



**Important:** when drilling into walls always check that there are no hidden wires or pipes etc.

Make sure that the screws and wall plugs being used are suitable for supporting your unit. Consult a qualified tradesperson if you are unsure.



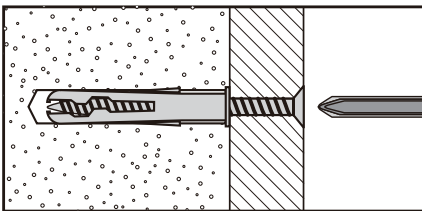
### Hints:

1. General rule: always use a larger screw and wall plug if you are not sure.
2. Ensure you use the recommended drill bit to match the wall plug and hole size.
3. Ensure you drill the hole horizontally; do not force the drill or enlarge the hole.
4. Take extra care when drilling high walls, ceilings and ceramic tiles. Ensure wall plugs are inserted beyond the thickness of the ceramic tiles to avoid the tiles splitting or cracking.
5. Ensure wall plugs are well fitted and are a tight fit in the drilled hole.

## Types of walls

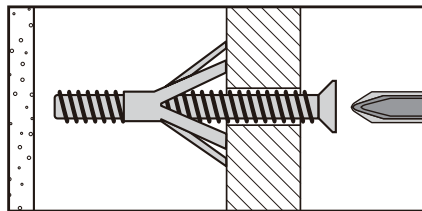
You can use one of the following types of wall plug if your walls are made of brick, breeze block, concrete, stone or wood.

No. 1 "General Purpose" wall plug



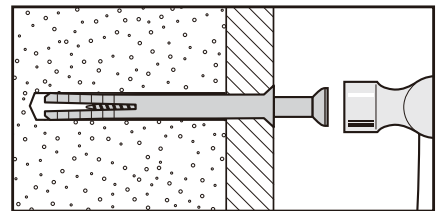
Generally aerated blocks should not be used to support heavy loads, use a specialist fitting in this case. For light loads, general purpose wall plugs can be used.

No. 3 "Cavity Fixing" wall plug



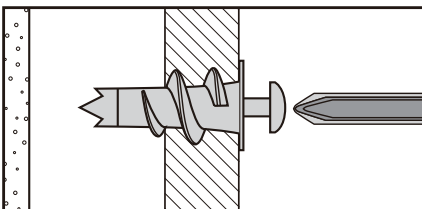
For use with plasterboard partitions or hollow wooden doors.

No. 5 "Hammer Fixing" wall plug



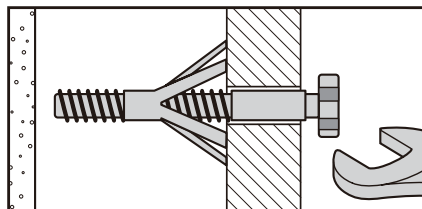
For use with walls stuck with plasterboard. The hammer fixing allows it to be fixed to the wall rather than the plasterboard. Always check the fixing is secure to the retaining wall.

No. 2 "Plasterboard" wall plug



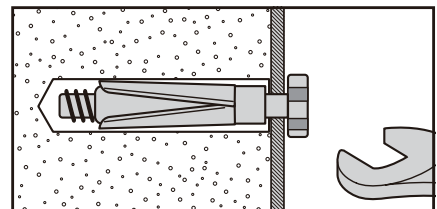
For use when attaching light loads onto plasterboard partitions.

No. 4 "Cavity Fixing - Heavy Duty" wall plug



For use when fitting or supporting heavy loads such as shelving, wall cabinets and coat racks.

No. 6 "Shield Anchor" wall plug - heavy loads



For use with heavier loads such as TV and HiFi speakers and satellite dishes etc.



## Care & Maintenance

**Safety:** Always check the fitting and location to ensure your safety in and around the home.

**Fitting:** From time to time check the fitting to ensure the wall plugs or screws do not become loose.