



Item No: TD-12234P
 Teamson Kids - Dress Up Unit with
 Hooks – Pink

WARNING:

Small parts and sharp points may be present prior to assembly.

Care Instructions

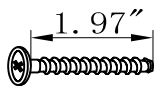
To clean your product, use mild soap and water on a damp cloth. Do not use window cleaners or cleaning abrasives as they will scratch the surface and could damage the protective coating.

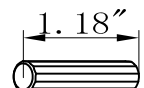
Customer Service

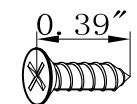
For questions regarding this product, or to receive replacement or missing parts, please contact customer service based on your location. Please have ready the model number and part number(s) located in this assembly instruction sheet when you contact us.

www.teamsonkids.com

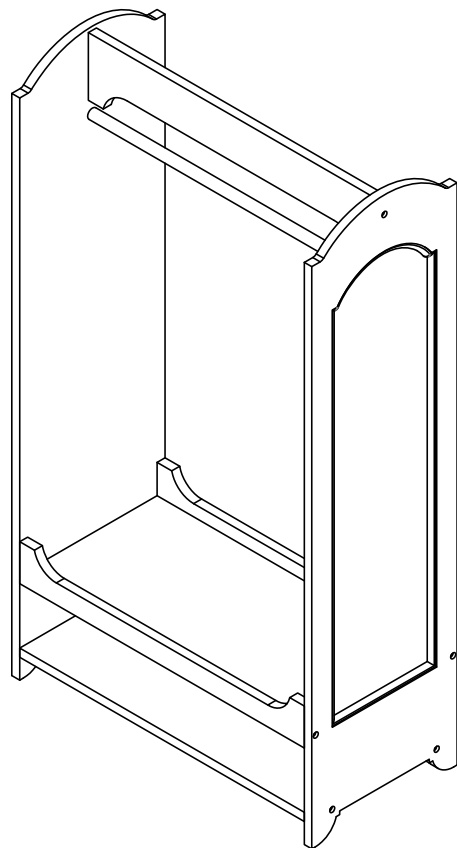
HARDWARES :

①  10PCS
 $\phi 5 \times 45 \text{mm}$

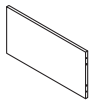
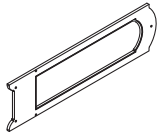
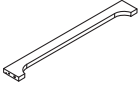
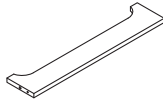


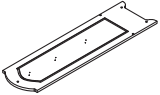
②  10PCS
 $\phi 8 \times 30 \text{mm}$

③  14PCS
 $\phi 3 \times 12 \text{mm}$



④  7PCS





PRODUCT PARTS:

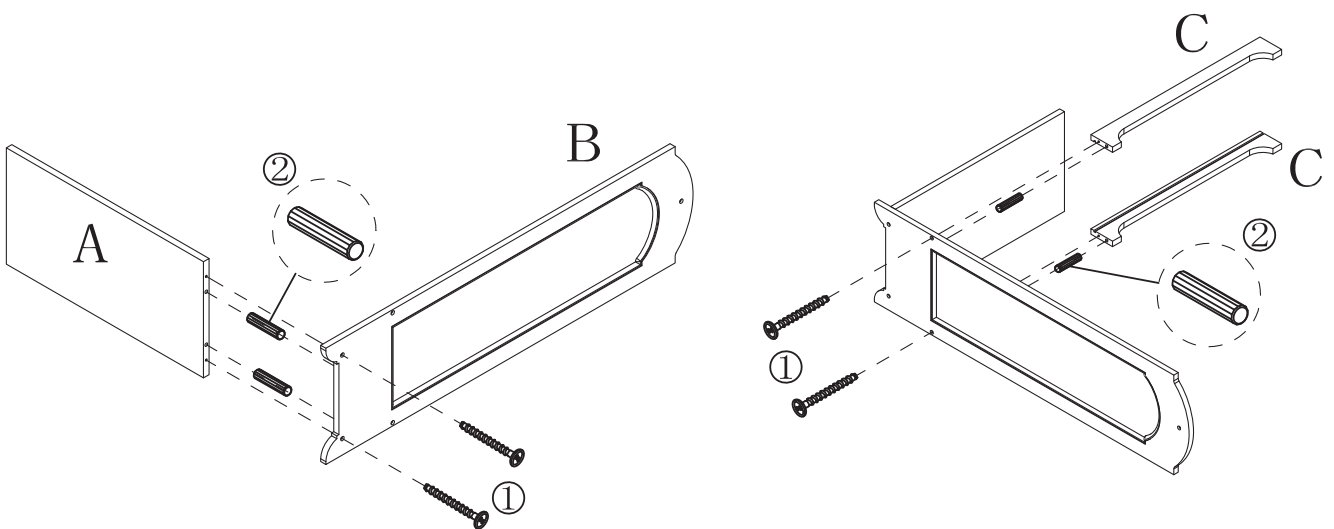
A	B	C	D	E	F
					
1PC	1PC	2PCS	1PC	1PC	1PC
G					
					
1PC					

Step 1


- ①  2PCS
ϕ5×45mm
- ②  2PCS
ϕ8×30mm


Step 2

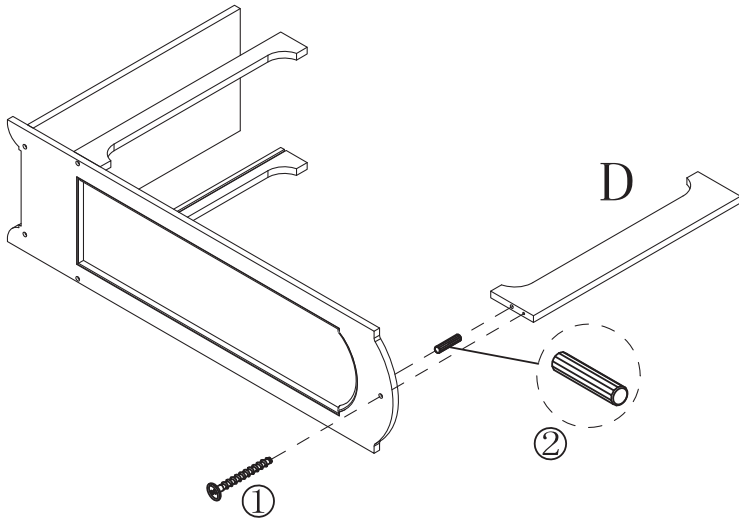
- ①  2PCS
ϕ5×45mm
- ②  2PCS
ϕ8×30mm



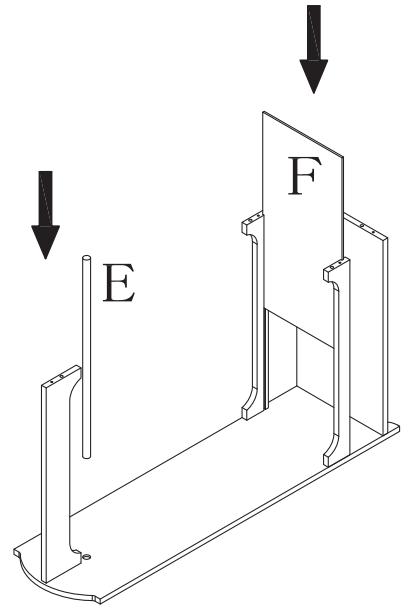
Step 3

①  1PC
φ5×45mm


②  1PC
φ8×30mm




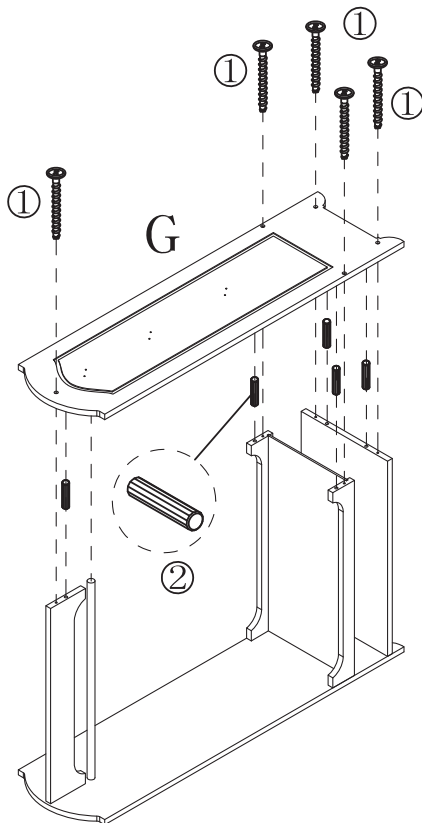
Step 4



Step 5

①  5PCS
φ5×45mm

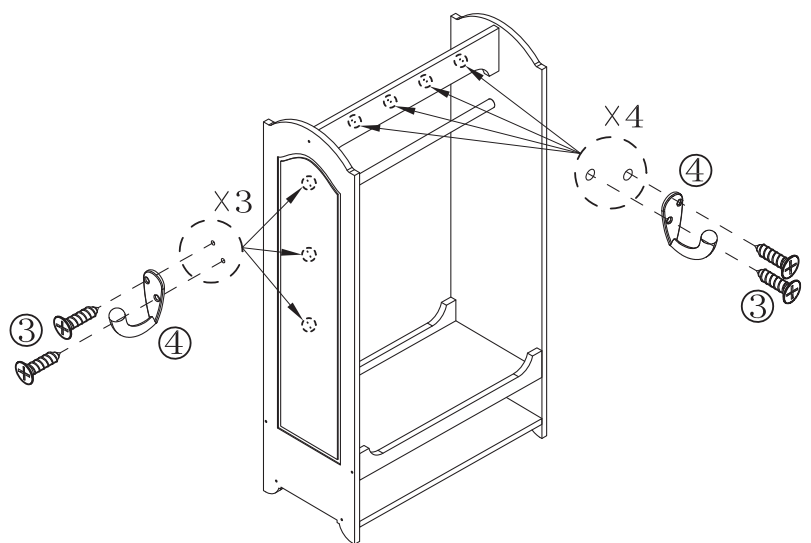
②  5PCS
φ8×30mm



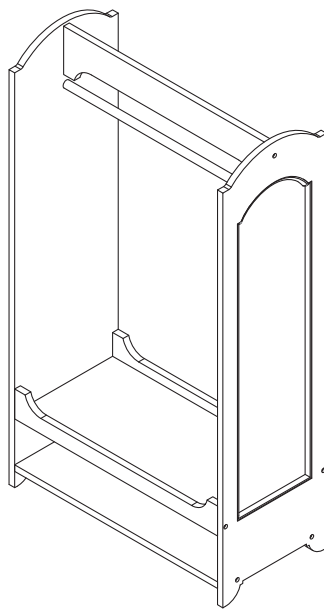
Step 6

③  14PCS
φ3×12mm

④  7PCS



Step 7



MADE IN CHINA