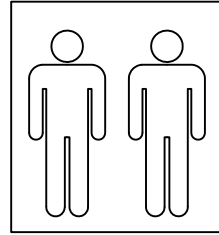


# BOOKCASE 36"

To ensure that you have a speedy and pleasant time assembling your unit  
**PLEASE READ THE INSTRUCTIONS CAREFULLY BEFORE BEGINNING ASSEMBLY.**  
If you need assistance, **DO NOT CALL THE STORE**, call us. Our Customer Service Group is here to help you.

Please be sure to follow the construction order in the Assembly Manual and complete each step before you proceed to the next step.



**CAUTION:**  
Must have 2 people

## **TOOLS REQUIRED:**

Phillips Screwdriver (Not Included)

Rubber Mallet (Not Included)



If you need assistance **DO NOT CALL THE STORE**. call us. Our Customer Service Group is here to help you.

# PARTS



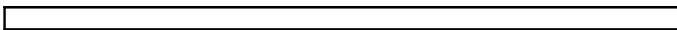
**a) Top (1 pc.)**



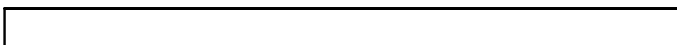
**f) Adjustable Shelves (6 pcs.)**



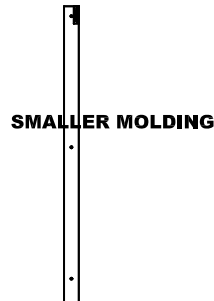
**b) Bottom (1 pc.)**



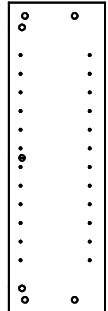
**h) Top Apron (1 pc.)**



**i) Bottom Apron (1 pc.)**



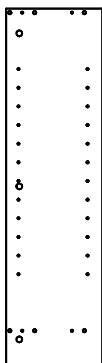
**j) Divider Molding (2 pcs.)**



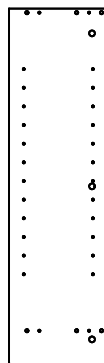
**g) Divider (2 pcs.)**



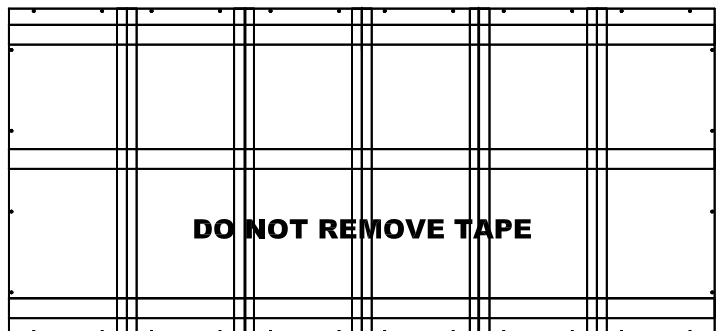
**c) Side Moldings (2 pcs.)**



**d) Left Side (1 pc.)**



**e) Right Side (1 pc.)**



**k) Back Panel (1 pc.)**

# HARDWARE



**l) Wood Dowel 1 3/16" (24 pcs.)**



**p) Back Panel Washer (4 pcs.)**



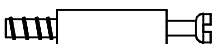
**s) Corner Brace (4 pcs.)**



**m) Cam lock (28 pcs.)**



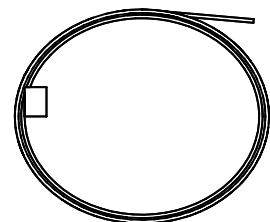
**q) Back Panel Screw 5/8" (38 pcs.)**



**n) Metal Fastener (28 pcs.)**



**r) Flat Head Screw 1 1/4" (14 pcs.)**



**t) Nylon Restraint Strap (2 pc.)**

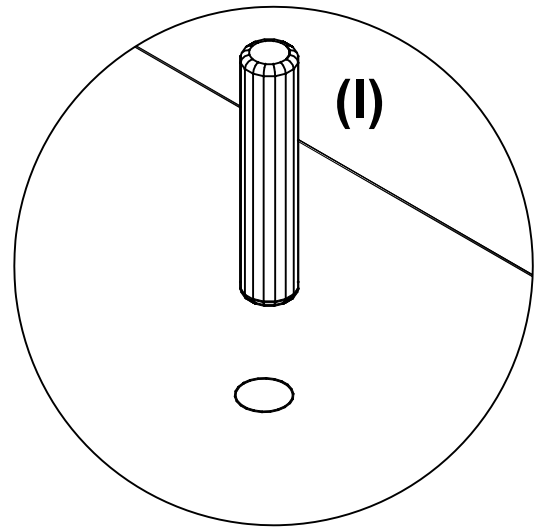
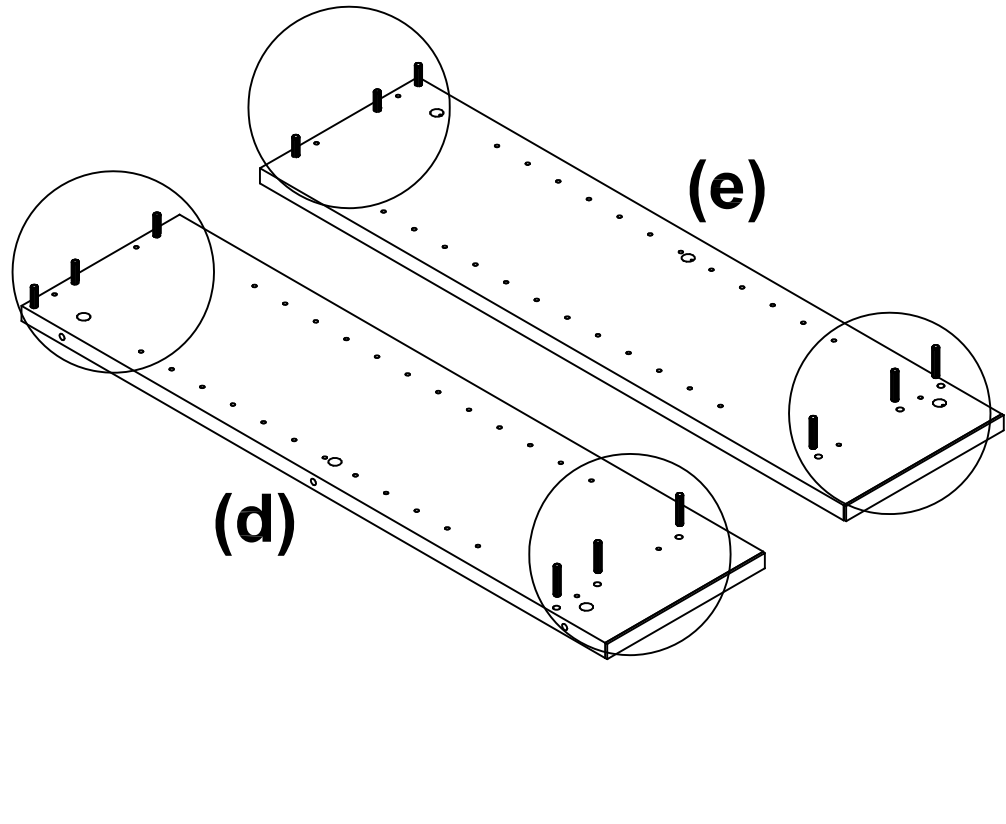


**o) Shelf Support (24 pcs.)**



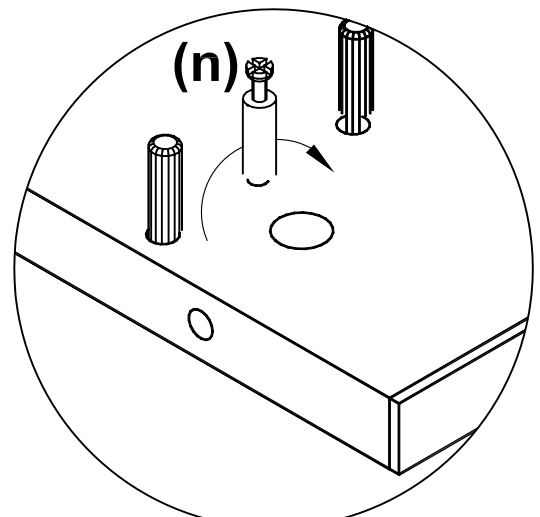
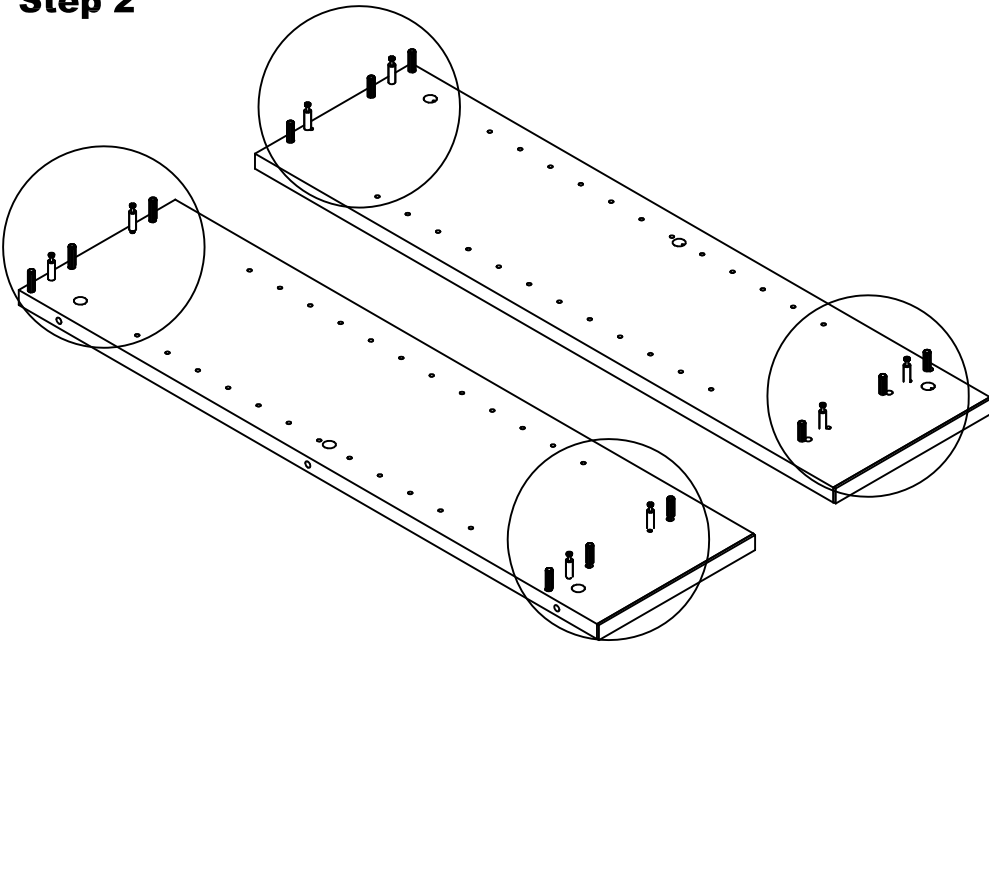
**u) Plastic Anchor (2 pcs.)**

**Step 1**



Insert 6-**Wood Dowels (l)** into each Side Panel holes. See diagram above.

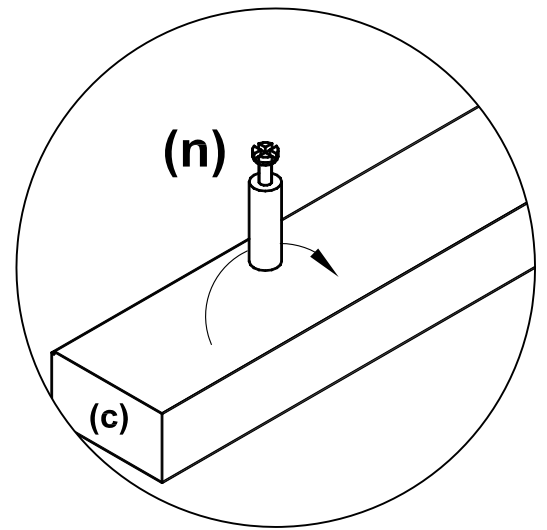
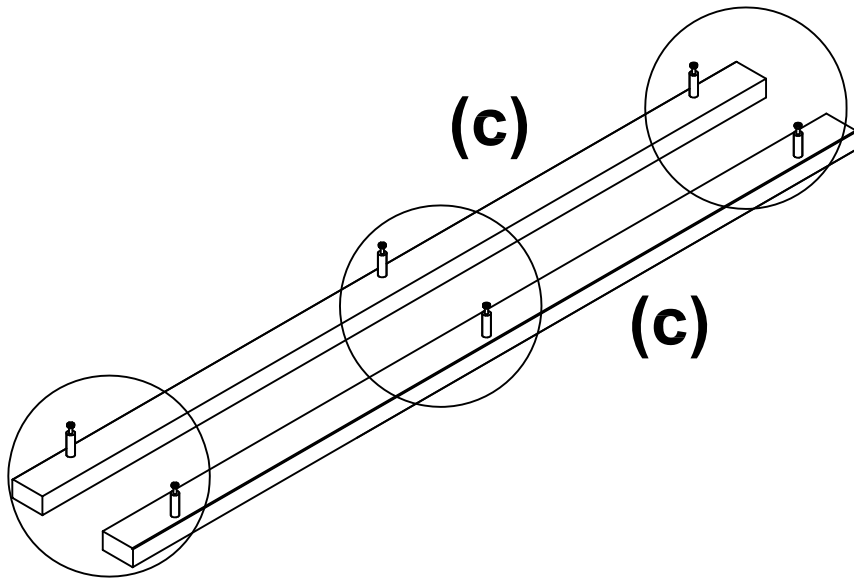
**Step 2**



Insert and screw 4-**Metal Fasteners (n)** into each Side Panel. See Diagram above.

**DO NOT OVER TIGHTEN**

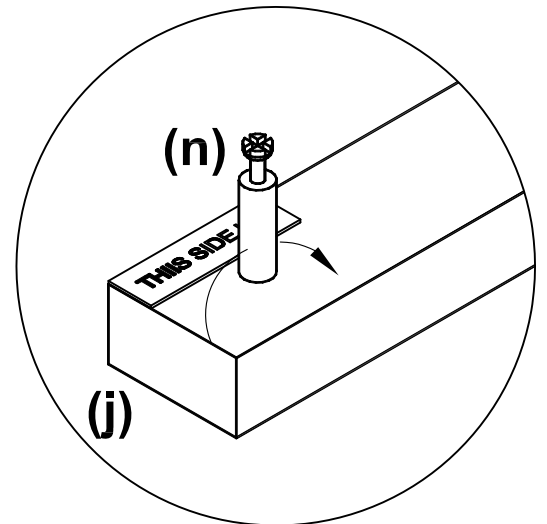
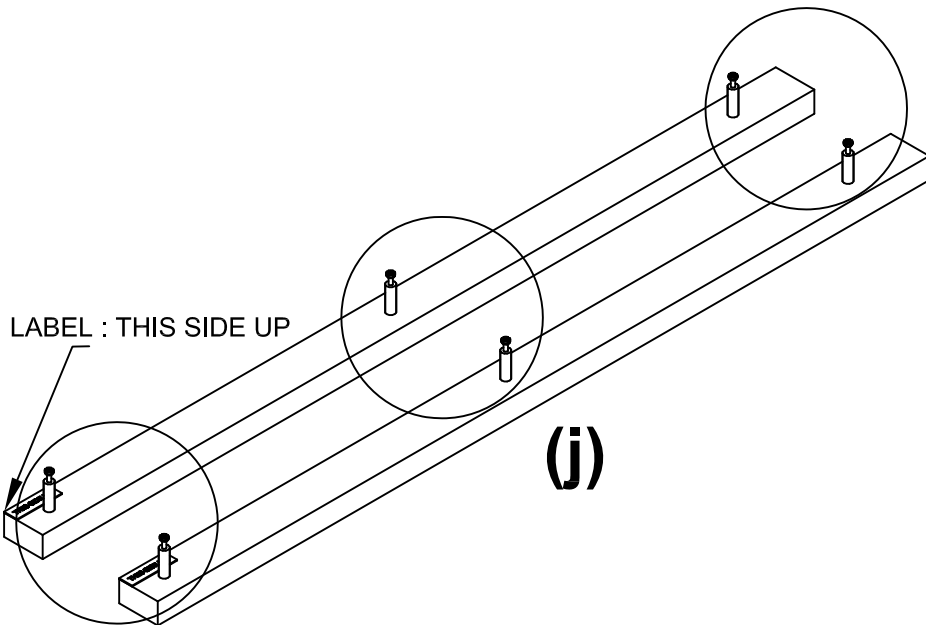
**Step 3**



Insert and screw 3-Metal Fasteners (n) into each Side Molding (c). See Diagram above.

DO NOT OVER TIGHTEN

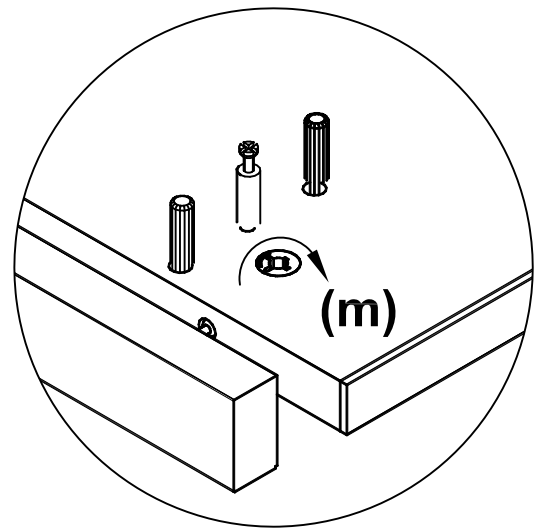
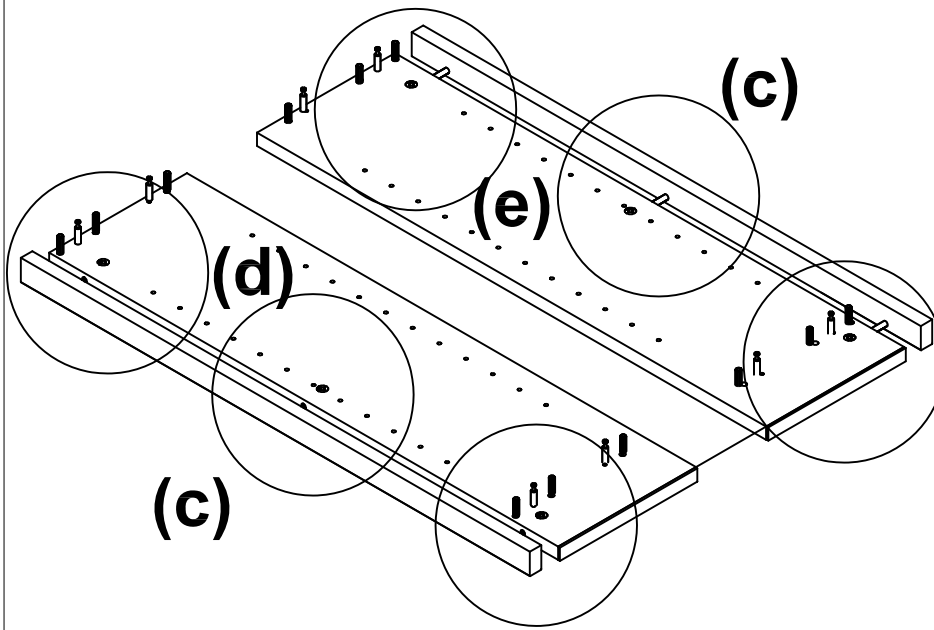
**Step 4**



Insert and screw 3-Metal Fasteners (n) into each Divider Molding (j). See Diagram above.

DO NOT OVER TIGHTEN

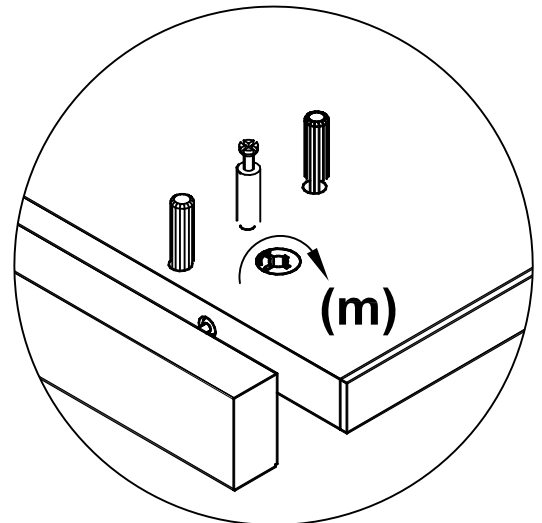
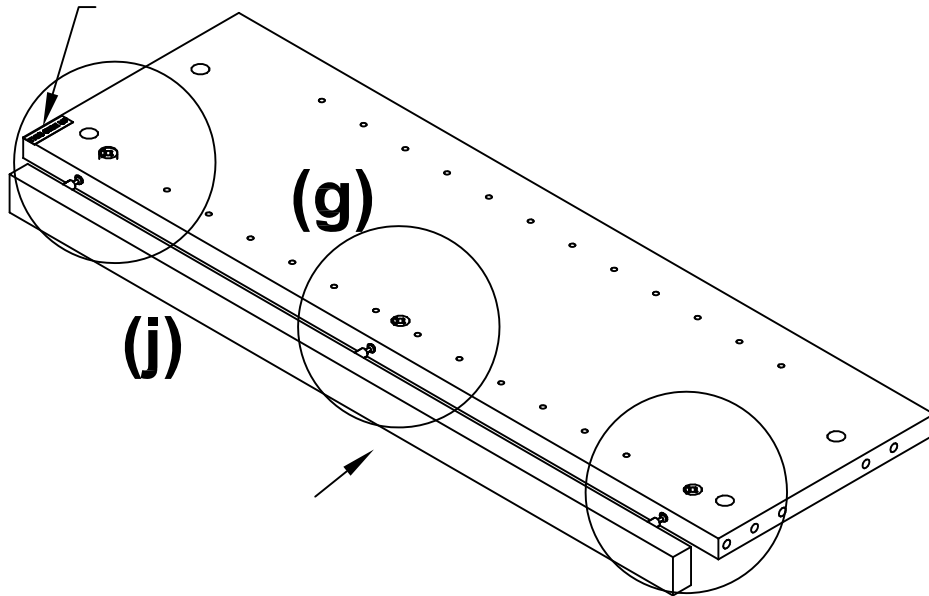
### Step 5



Insert **6-Cam Locks (m)** into the large predrilled holes ( 3 per each side), point the arrow on the Cam in the direction of the side edge. Push the Cam into the hole. Then use a screwdriver, to turn each Cam approximately 1/2 turn in the direction of the arrow (clock-wise) to lock it in place. See Diagram above.

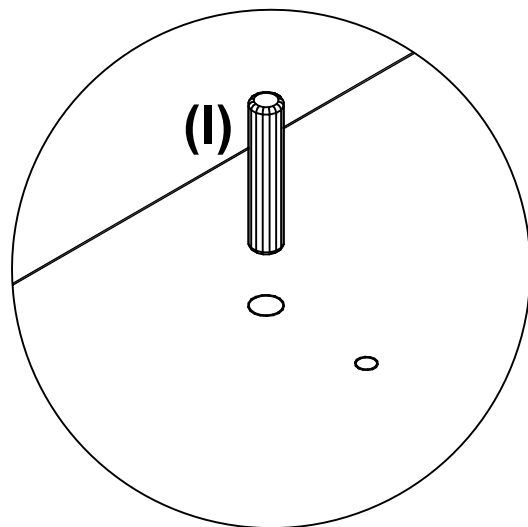
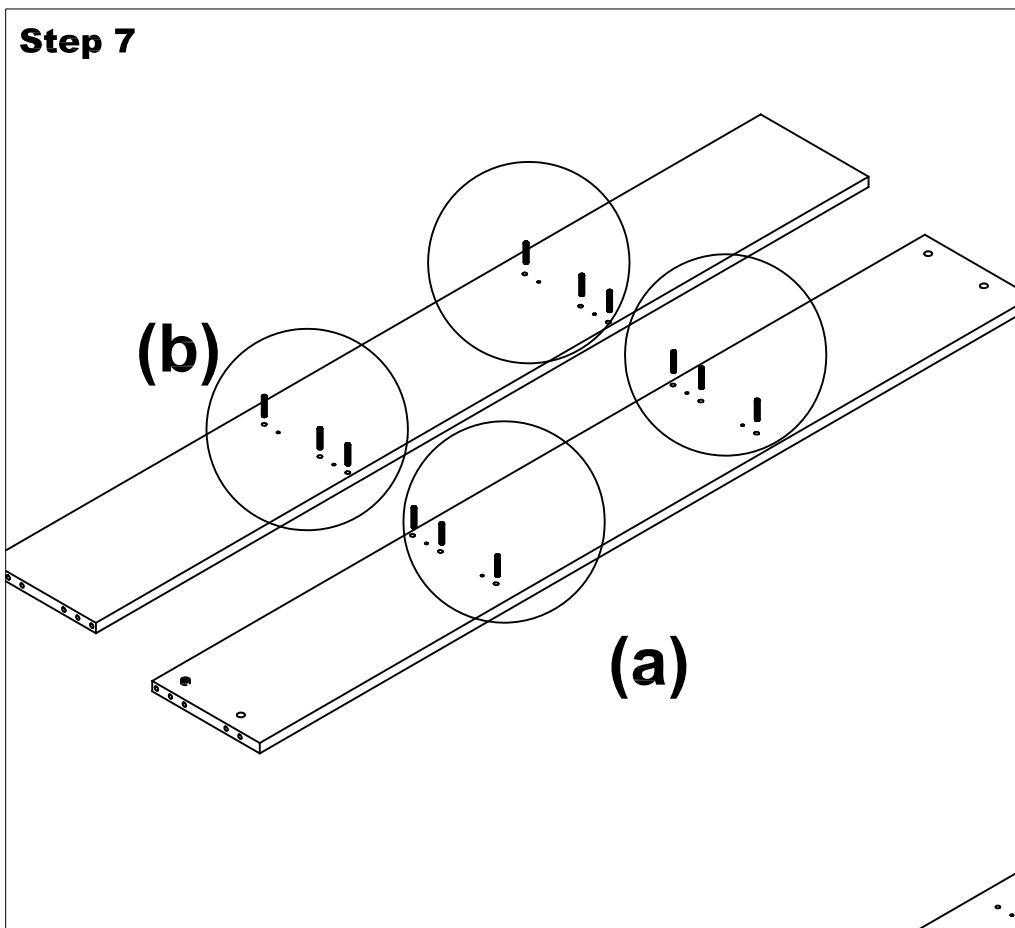
### Step 6

LABEL : THIS SIDE UP



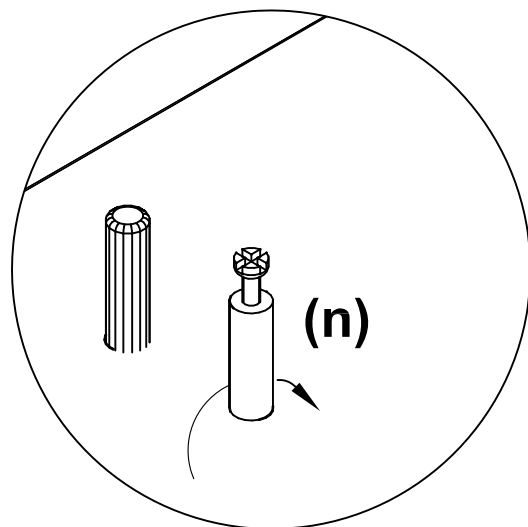
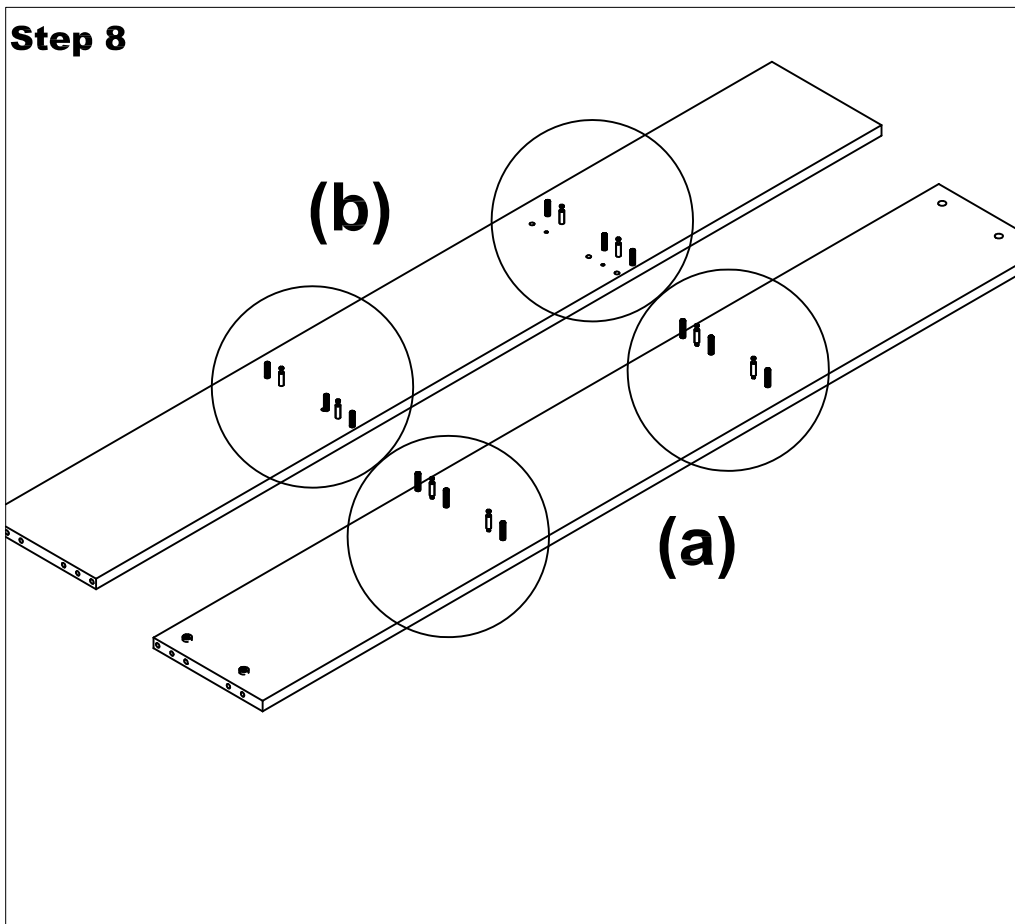
Insert **3-Cam Locks (m)** into the large predrilled holes on each divider, point the arrow on the Cam in the direction of the side edge. Push the Cam into the hole. Then use a screwdriver, to turn each Cam approximately 1/2 turn in the direction of the arrow (clock-wise) to lock it in place. See Diagram above.

**Step 7**



Insert 6-**Wood Dowels (l)** into Bottom (b) and 6-**Wood Dowels (l)** into Top (a).  
See diagram above.

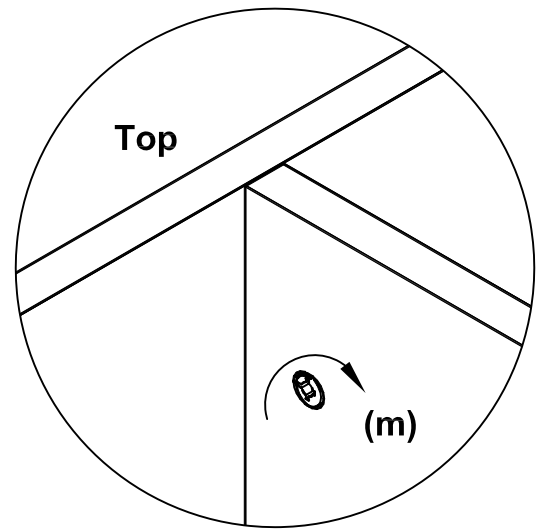
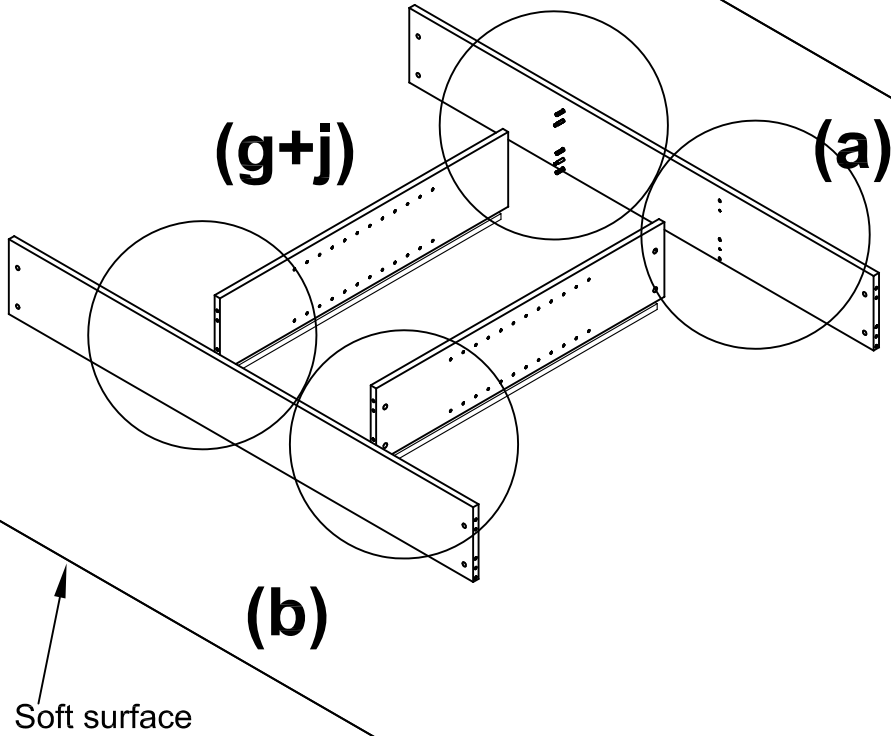
**Step 8**



Insert and screw 4-**Metal Fastener (n)** into each Side Panel.  
See Diagram above.

**DO NOT OVER TIGHTEN**

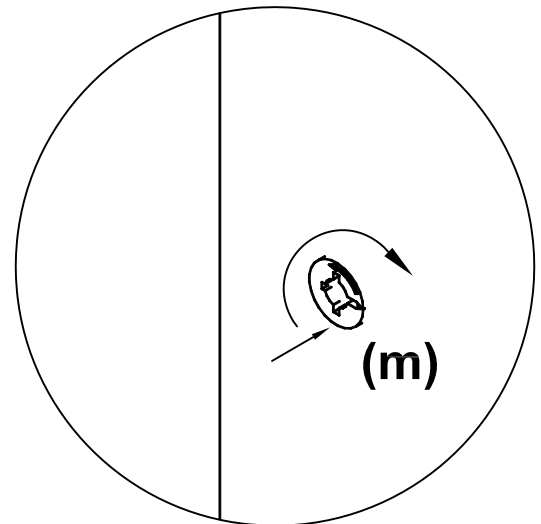
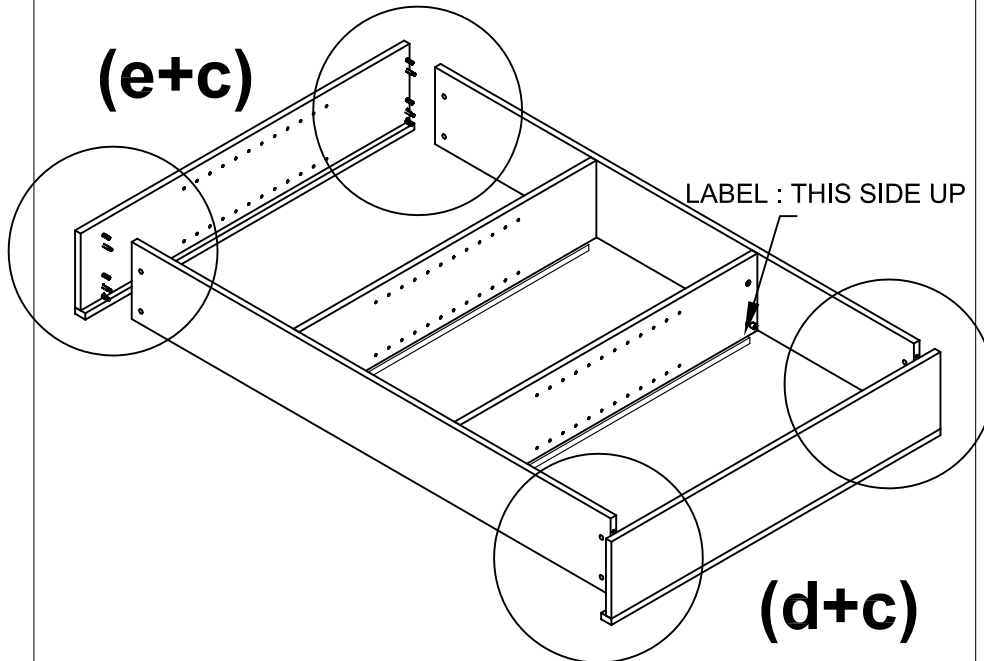
**Step 9** Attach **Top (a)** and **Bottom (b)** with **Divider Panel (g)+(j)** attached facing down as showing.



Insert **8-Cam Locks (m)** into the large predrilled holes, point the arrow on the Cam in the direction of the side edge. Push the Cam into the hole. Then use a screwdriver, to turn each Cam approximately 1/2 turn in the direction of the arrow (clock-wise) to lock it in place (Applies only on Top and Bottom).

See Diagram above.

**Step 10** Attach **Left Side (d)+(c)** and **Right Side (e)+(c)** attached to the previous subassembly as shown.

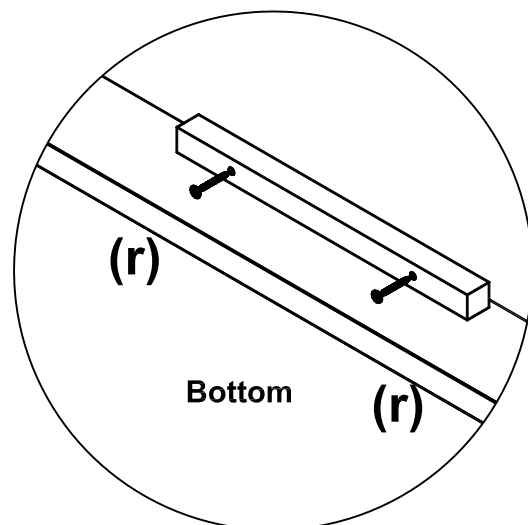
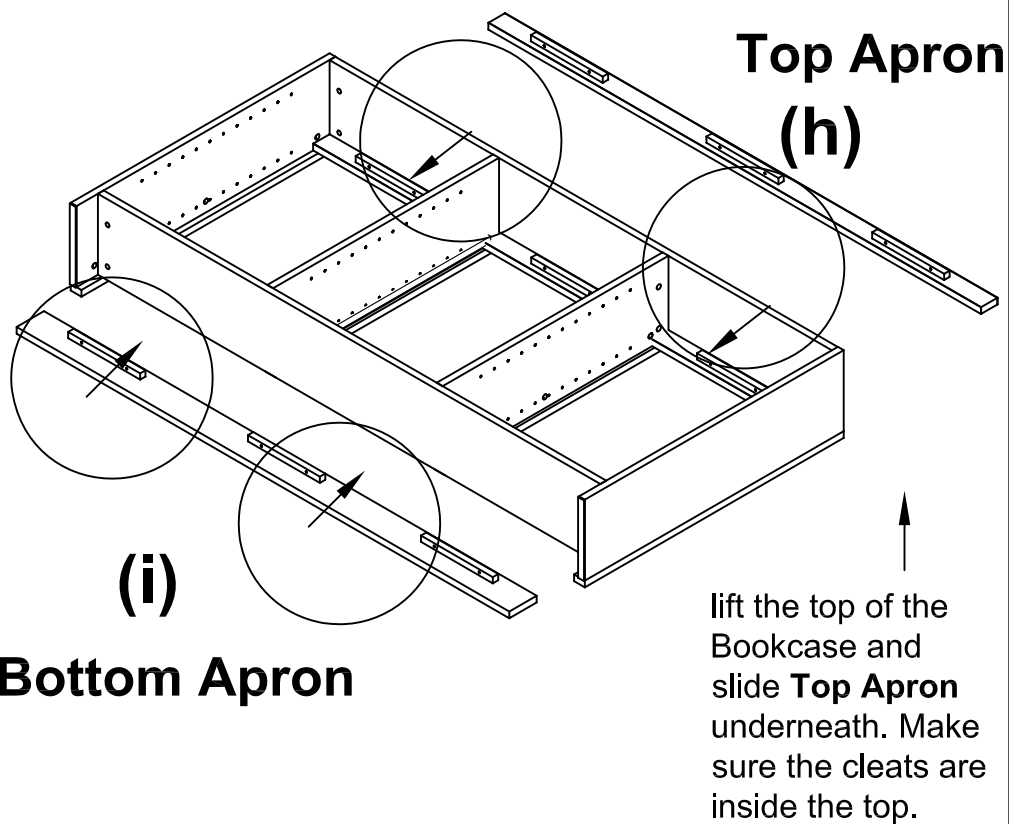


Insert **8-Cam Locks (m)** into the large predrilled holes, point the arrow on the Cam in the direction of the side edge. Push the Cam into the hole. Then use a screwdriver, to turn each Cam approximately 1/2 turn in the direction of the arrow (clock-wise) to lock it in place. See Diagram above.

**Important**

Be sure all wood dowels and metal fasteners are located in the opposite holes **BEFORE** insert the cam locks.

## Step 11

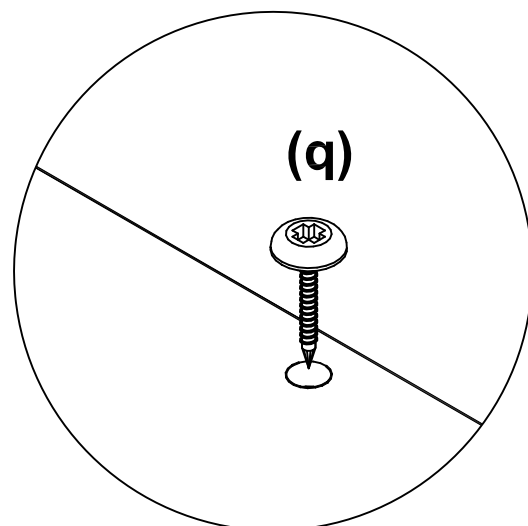
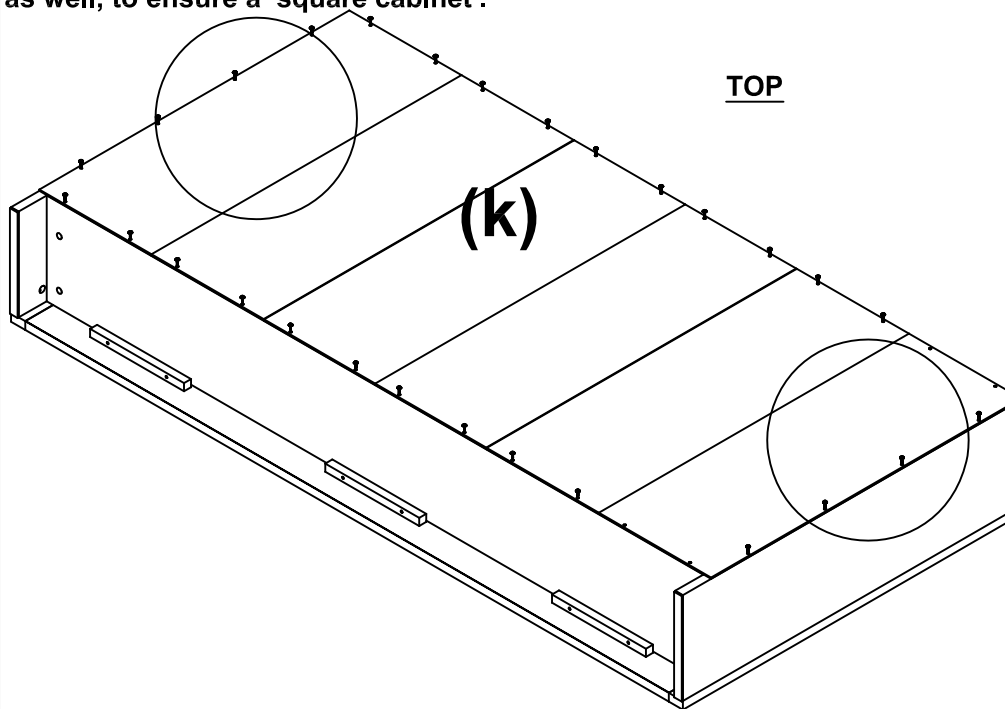


Install **Top Apron (h)** to the Top and **Bottom Apron (i)** to the Bottom with **Flat screws (r)**, press down firmly and carefully to close all gaps. See Diagram above.

## Step 12

**DO NOT REMOVE TAPE**

**IMPORTANT:** Back Panel must be completely aligned with TOP and side edges as well, to ensure a square cabinet .

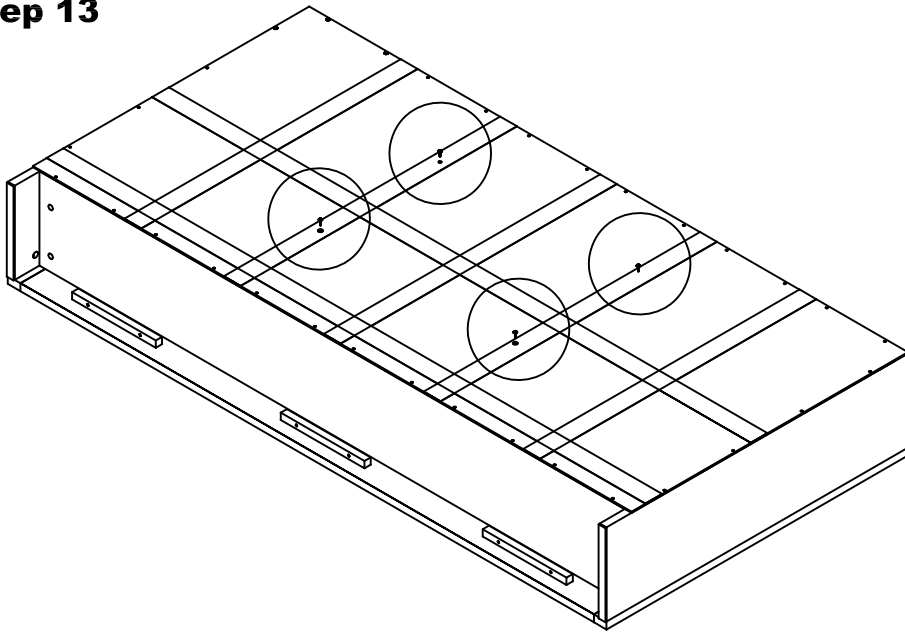


Lay the **BACK PANEL (k)** on the back edges of the Bookcase as shown. **Make sure the BACK PANELS unfinished side faces up.** Position the **BACK PANEL (k)** flush with the top edge, make sure the **BACK PANEL (k)** does not overlap at the top corners. Insert and screw 8 **Screws (q)** along the top edge of the **BACK PANELS**, then insert and screw 4 **Screws (q)** along one side edge to square the cabinet. When the cabinet is square insert and screw into the rest of the empty pre-drilled holes.

See Diagram above.

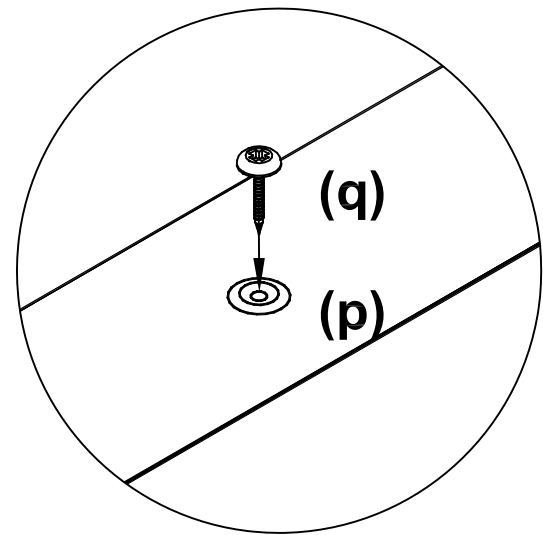
**NOTE: DO NOT LIFT OR TILT ON SIDE OR EDGES. DO NOT LIFT UP THE STORAGE CABINET UNTIL BACK PANEL IS INSTALLED.**

### Step 13



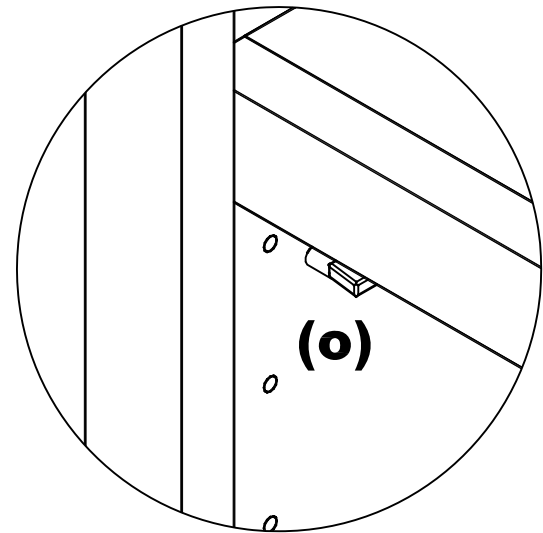
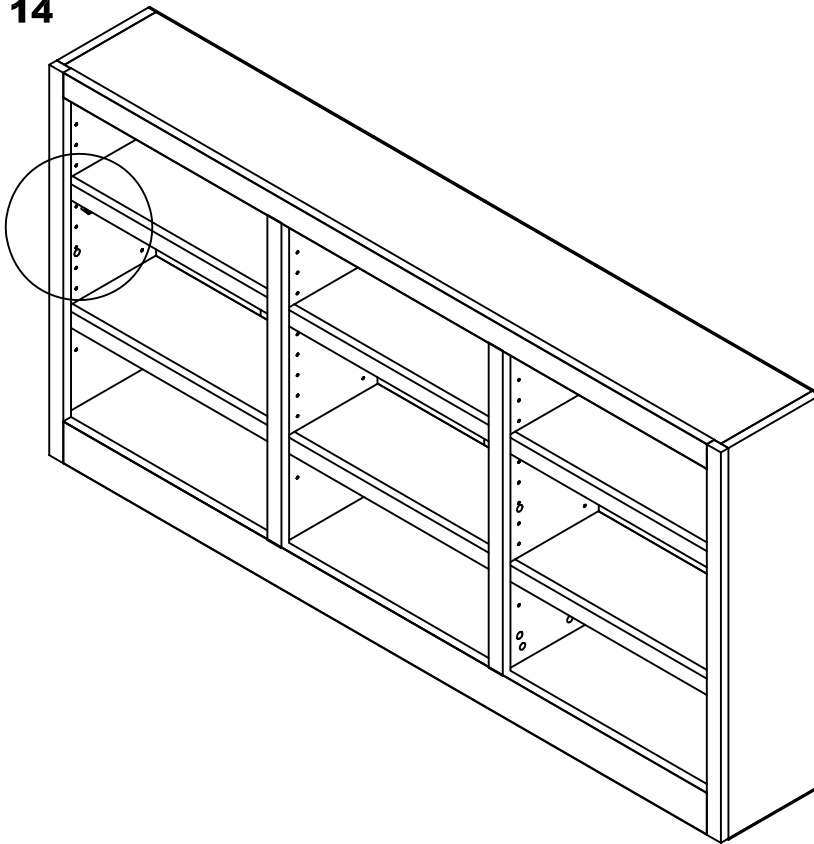
**DO NOT REMOVE TAPE**

**NOTE: DO NOT LIFT OR TILT ON SIDE OR EDGES.  
DO NOT LIFT UP THE STORAGE CABINET UNTIL BACK PANEL IS  
INSTALLED.**



Finally screw 4 **Screws (q)** with **washer (p)** along the tape, as shown in step 13. See the diagram above.

### Step 14

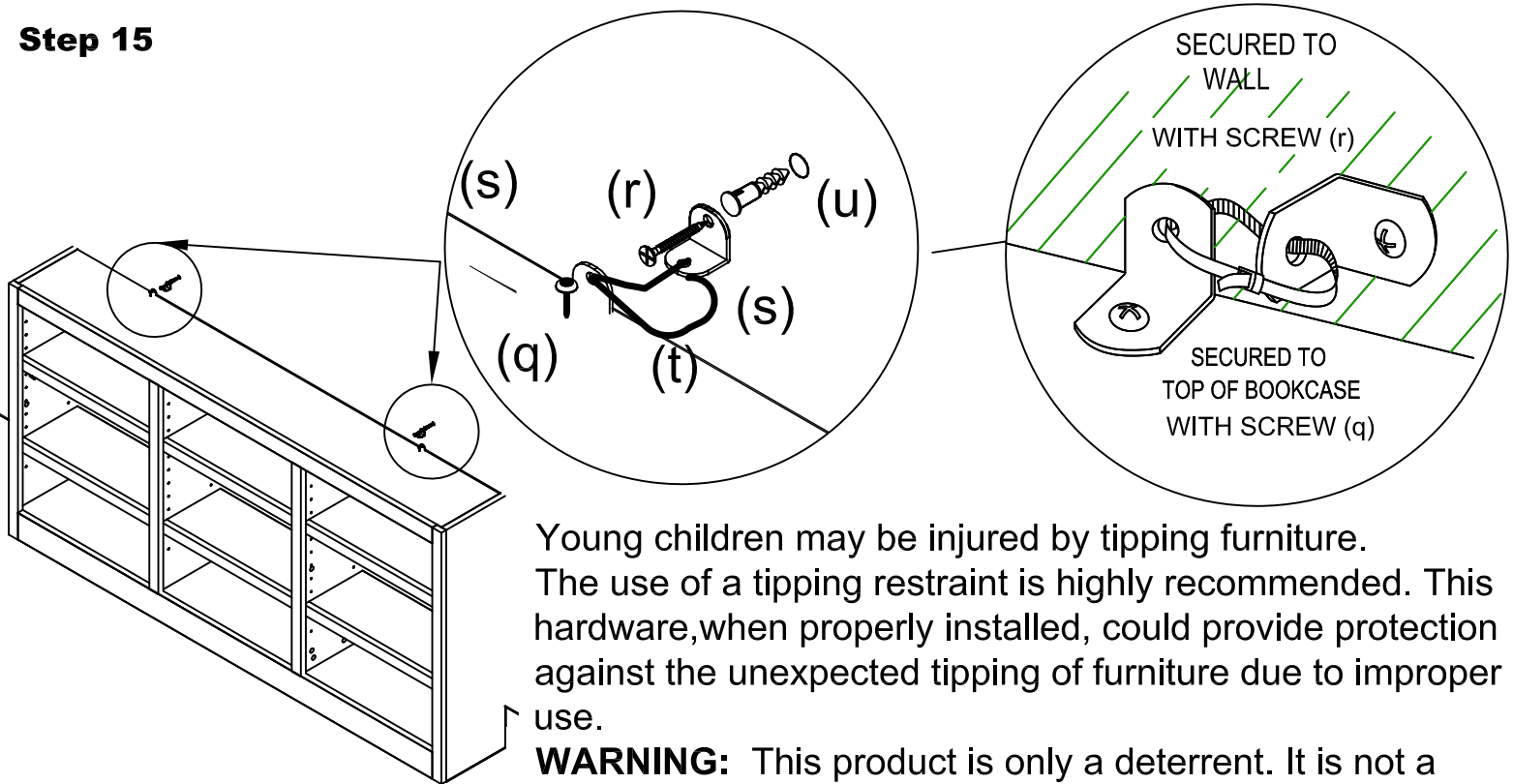


Insert **Shelves Support (o)** into Side holes in the position you decided then place the **Adjustable Shelves (f)**. See Diagram above.

**IF NECESSARY ADJUST ONE SHELF  
SUPPORT BY ROTATING 180°**

**NOTE: For safety, it is recommended to place items on the bookcase shelves starting with the bottom shelf first working your way up the bookcase, shelf by shelf to top shelf. As an added safety feature, we recommend to affix the bookcase to the wall.**

## Step 15



Young children may be injured by tipping furniture. The use of a tipping restraint is highly recommended. This hardware, when properly installed, could provide protection against the unexpected tipping of furniture due to improper use.

**WARNING:** This product is only a deterrent. It is not a substitute for proper adult supervision.

### Installation Instructions:

1. Attach one of the mounting brackets (s) securely to the top back edge of the furniture. Use one of the SHORTER screws (q) to securely attach the bracket (s) to bookcase.
2. Determine where furniture is to be placed and mark location on the wall for the mounting bracket screw hole approximately 2" below the bracket mounted to the edge of the furniture.
3. Drill a 3/16" hole in the wall. Press the plastic anchor (u) into the hole and gently tap until the flange on the anchor is against the wall surface.
4. Position the bracket (s) over the anchor and use one of the LONGER screws (r) to securely attach the bracket (s) to wall.
5. Place the furniture so that the bracket (s) on the back edge is in line with the bracket (s) on the wall.
6. Lace an end of the nylon restraint strap (t) down through each bracket (s). Bring both ends together and slide the end of the strap through the slot in the other end until snug.  
**(Caution: The rough serrated edge must be to the inside of the loop or it will not lock into place.)**
7. Check to make sure the strap is securely laced and locked to the brackets.

## KIT TO SECURE BOOKCASE TO THE WALL

If you need assistance DO NOT CALL THE STORE, call us. Our Customer Service Group is here to help you.