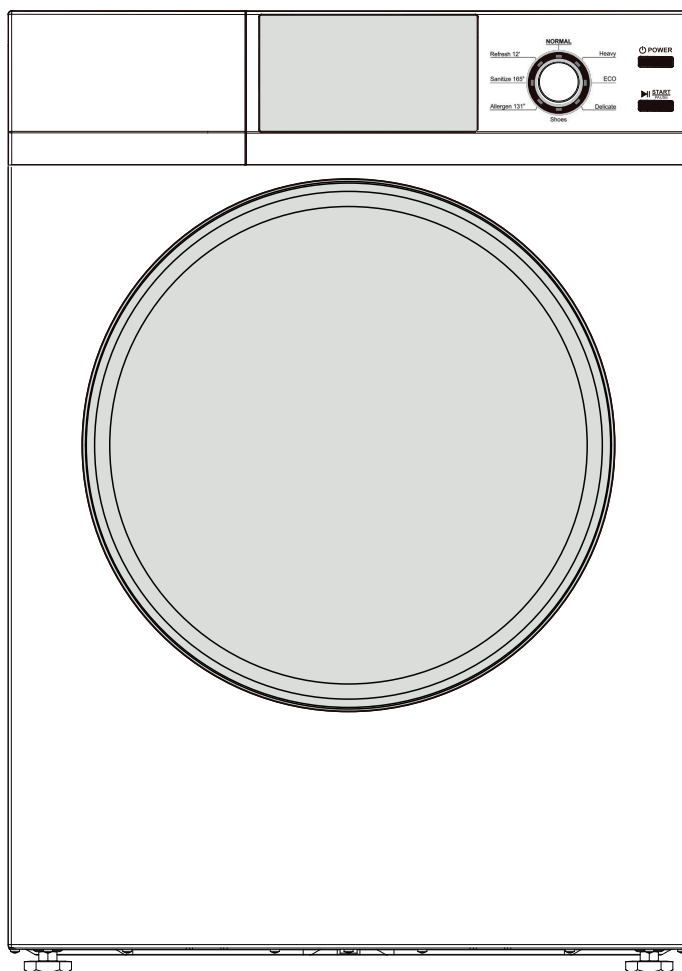


# *Vented Dryer*

## (Direct Line)

24 inch - 110V

Model: 870 DL



## OWNER'S MANUAL

Read the instructions carefully and keep for future reference. Information may be updated from time to time so please refer to the website for the latest version of the manual.



**DO NOT RETURN TO STORE!**

**HAVE QUESTIONS OR NEED SERVICE?**



1-800-776-3538



Service@ApplianceDesk.com

## WARRANTY INFORMATION

**Your appliance is protected by this warranty under normal, personal, family or household use for 1 Year Parts & Labor and limited commercial use (90 days) in USA and Canada.**

### WARRANTY

---

Consolidated Brands undertakes to the consumer / owner to repair or, at our option, to replace any part of this product which proves to be defective in workmanship or material under normal personal, family or household use, in USA and Canada, for a period of one year parts and labor, two years motor and five years rust only from the date of original purchase. For commercial use, the product is warranted for a period of 90 days.

During this period, we will provide all labor and parts necessary to correct such defect, free of charge, if the appliance has been installed and operated in accordance with the written instructions provided with the appliance. Ready access to the appliance, for service, is the responsibility of the consumer / owner. If a unit is installed in a closet or cabinet, it should be removed by the consumer / owner, for access by service technicians. If this is not done, there will be an extra charge.

### EXCLUSIONS

---

In no event shall Consolidated Brands be liable for incidental or consequential damages or for damages resulting from external causes such as abuse, operation misuse, neglect, alterations, normal wear and tear, incorrect voltage or acts of God. This warranty does not cover service calls which do not involve defective workmanship, damage due to other products while combined use with this product or materials covered by this warranty. Accordingly, diagnosis and repair costs for a service call which does not involve defective workmanship or materials will be the responsibility of the consumer / owner.

Most work is covered. The defining factor is, has the machine malfunctioned (Consolidated Brands is responsible) or has the customer omitted or done something to cause malfunction (customer is responsible). Some states do not allow the exclusion or limitation of incidental or consequential damages, so the above limitation or exclusion may not apply to you.

You can register your Warranty by either of the following methods:

1. Scan QR Code

- Open Smart Phone
- Open Camera
- Click the Link



2. Register online at [ApplianceDesk.com/Warranty](https://ApplianceDesk.com/Warranty)

**Note: QR Code is also used to obtain Product Information, Manuals and Updates**

### WARRANTY SERVICE

---

This warranty is given by:

**Consolidated Brands**

**10222 Georgibelle Drive, Suite 200,  
Houston, TX 77043-5249**

Customer Service: **Appliance Desk**

Phone / Text: 1-800-776-3538

Email: [Service@ApplianceDesk.com](mailto:Service@ApplianceDesk.com)

Web: [www.ApplianceDesk.com](http://www.ApplianceDesk.com)

Business hours: 9:00 am to 5:00 pm weekdays

## **THE FOLLOWING WORK ARE NOT COVERED UNDER WARRANTY:**

---

### **Installation**

1. Non-removal of shipping bolts, causing vibration / internal damage.
2. Non-adjustment of feet to level machine, causing vibration / internal damage.
3. Using incorrect length of venting i.e. more than 10 feet unless used with a booster fan.
4. Not conforming to minimum space requirements for built-in installation, causing excess heat and resulting in damage to internal components.
5. Installation in a corrosive environment.

### **Maintenance**

1. Non-cleaning of vent fan & exhaust hose for lint, causing the unit to not dry properly.
2. Improper maintenance (such as, but not limited to, scale build-up, freeze damage, or vent blockage).

### **Damage**

1. Breakage of cosmetic parts e.g., door handle, knob.

### **Other**

1. Accident, abuse or misuse.
2. Using solvents to clean the machine, causing damage.
3. Misapplication of this product e.g., use in a non household/commercial environment.
4. Any other cause not due to defects in materials or workmanship.
5. Problems or damage due to fires, flooding, electrical surges, freezing or any acts of God.
6. Force majeure.

## **Warranty Limitations**

1. If a unit is located more than 25 miles away, there will be a trip charge.
2. If a unit is in a remote area more than 75 miles away, the machine should be taken to the technician's workshop.
3. If the unit is installed in a 5th wheel RV, in a location behind the axle, it will not be covered under warranty.
4. All repairs or replacements are warranted only for the remainder of the original warranty period.
5. If a return or replacement is required, allow 3-4 weeks to process.
6. Replacement units will be delivered with curbside delivery only.
7. We may require the return of products or parts to our warranty department for which the shipping charges are to be pre-paid by the consumer / owner.
8. Charges may be incurred if warranty coverage is not applicable.
9. Service would be provided from Monday to Friday between normal business hours.

## **GENERAL**

---

Since it is the responsibility of the consumer / owner to establish the warranty period by verifying the original purchase date, Consolidated Brands recommends that a receipt, delivery slip or some other appropriate payment record be kept for that purpose. This warranty gives you specific legal rights, and you may also have other rights which vary from state to state.

All rights reserved. Manual subject to change without notice.

### ***Congratulations on your new Vented Dryer!***

In addition to its contemporary design, this is a highly sophisticated engineered product that will give you many years of satisfaction.

Here are some of the best reasons for buying your Dryer:

- Direct line plug to prevent fuse from blowing
- Options for Sensor and Time Dry programs
- Sanitize and Allergen programs for ultimate clean clothes
- Refresh program and Auto Wrinkle Guard for perfectly dry clothes
- Delay time to operate dryer at your convenience
- 110V lets you plug it in anywhere
- Reversible door option as preferred
- Safety Lock

## Safety

In order to reduce the risk of fire, electric shock, and/or injury, please follow safety precautions. Read all instructions carefully and save for future reference.

- Use the appliance indoors. It is not intended to be used outdoors.
- Ensure that open flame sources, such as candles are not placed on top of the dryer.
- Do not place items in the dryer that are soiled with flammable liquids, oils and other chemicals. These items should be washed thoroughly before placing them in the dryer.
- Ensure fabric softeners or products to eliminate static are not used inside the dryer, unless recommended by manufacturers of these products.
- Do not dry items containing rubber, plastic or similar materials.
- Ensure the dryer and electrical cord are not placed near heat sources, such as radiators, heaters, air ducts or in direct sunlight.
- Ensure vents and ventilation openings are not blocked.
- Ensure the power cord is not bent or twisted, and not exposed in an area where it could be a tripping hazard.
- Do not use the dryer if the cord is damaged.
- To disconnect the dryer, press the power button to turn it off, then grasp the plug of the power cord firmly and pull straight out of the outlet.
- Do not open the dryer and reach into the drum while it is rotating.
- Ensure the dryer is not overloaded.
- Do not tamper with controls.
- Perform regular maintenance and cleaning of lint filter after each use. Ensure periodic cleaning of exhaust duct is done by a qualified technician.
- Check that foreign objects are not in the drum.
- This appliance is not intended for use by persons, including children, with reduced physical, sensory or mental capabilities, or lack of experience and knowledge, unless they have been given supervision or instruction concerning use of the appliance by a person responsible for their safety.
- Do not allow children to play on or in the appliance. Close supervision of children is necessary when the appliance is used near children.

## Safe Disposal

Before discarding the appliance, please remove the door to prevent risk of child entrapment.

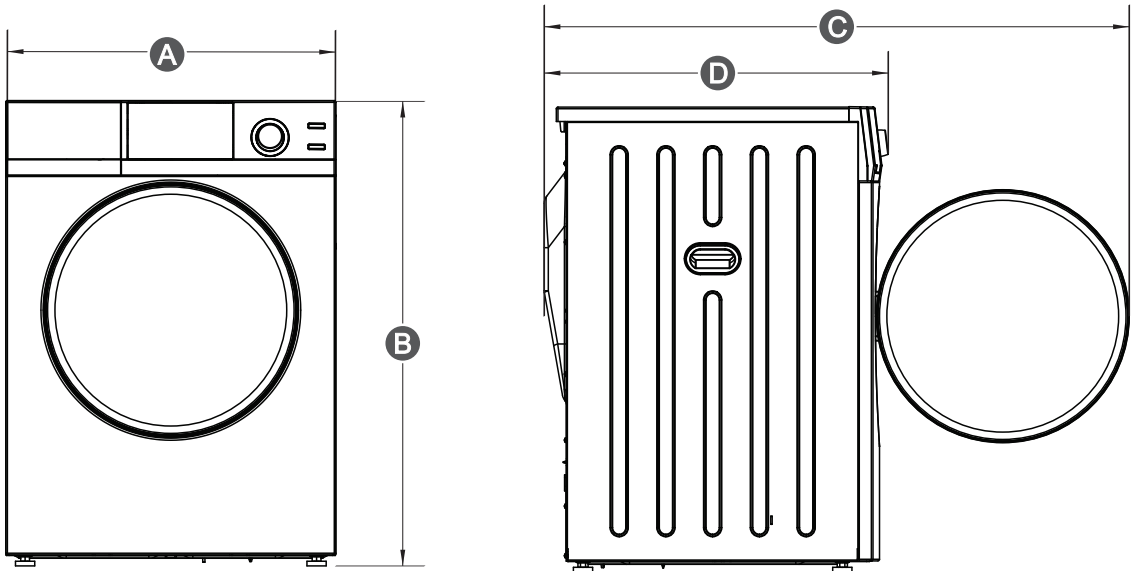
Keep children away from the shipping carton and packing components.

Please dispose of this appliance and all packaging material in accordance with local regulations.

### California Proposition 65

WARNING: This product contains chemical known to the State of California to cause cancer and birth defects or other reproductive harm.

# Technical Data



Type		Vented Electric Dryer
Model		<b>870DL</b>
Dimensions (inches / mm)	A. Width	23.6 / 600
	B. Height-overall	33.5 / 850
	C. Depth	25.2 / 640
	D. Depth with door open	41.9 / 1064
Rated voltage		110-120V / 60Hz 12A
Dry capacity (cu. ft. / L)		3.9 / 110
Net weight (lb / kg)		79 / 36
Heater rating (W)		1,200
Power consumption	No heat (W)	240
	Heating (W)	1,440



Intertek

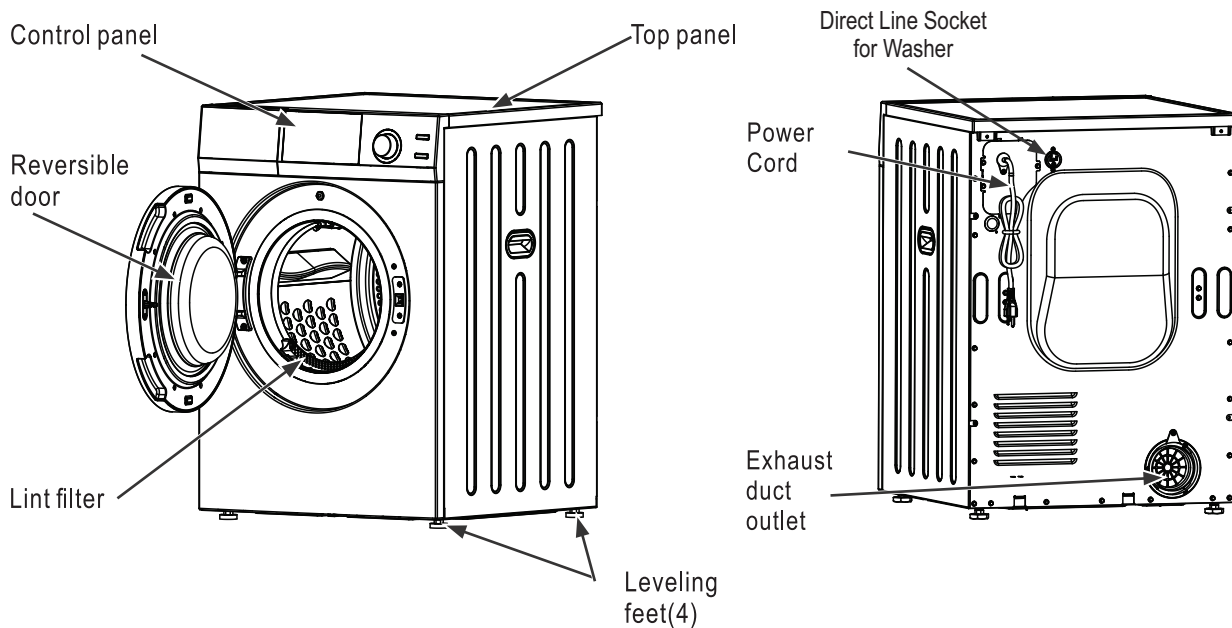
4007606

**US N° 4007606 CANADA**

*The ETL Listed Mark is the legal equivalent to the UL and CSA Listed Marks*

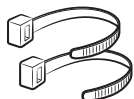
## Diagram of the Dryer

---

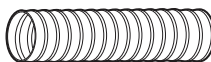


## Accessories

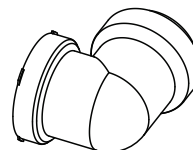
---



Hose tie



Exhaust hose



Exhaust elbow

### NOTE:

1. For your safety and for extended product life, use only authorized components. The manufacture is not responsible for product malfunction or accidents caused by the use of separately purchased unauthorized components or parts.
2. The images in this manual may be different from the actual components and accessories, and are subject to change by the manufacture without prior notice for product improvement purpose.

## Installation

---

### **The dryer must be installed and serviced by a qualified technician.**

Install the dryer according to manufacturer's instructions and local codes.

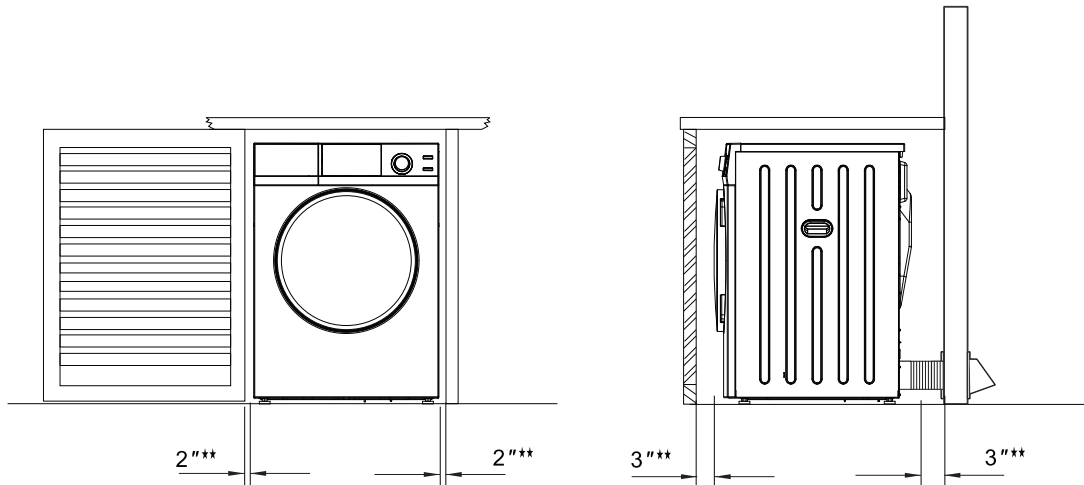
- The dryer must be properly grounded. Do not modify the plug.
- Do not install the dryer in a tight-fitting cabinet. Ensure there is adequate ventilation space all around the dryer (please see detailed installation instructions).
- Do not use flexible plastic venting materials which may collapse. Use only vent hoses that are approved by the manufacturer.
- In Canada and the United States, only those foil-type flexible ducts, if any, specifically identified for use with the appliance by the manufacturer shall be used and that comply with the outline for the Clothes Dryer Transition Duct, subject to 2158A, shall be used.
- In Canada, the exhaust duct shall be 4" (10.2 cm) in diameter.  
In the United States, the exhaust duct shall be 4" (10 cm) in diameter.
- The total length of flexible metal duct shall not exceed 8 feet (2.4 m).
- The duct shall not be assembled with screws or other fastening means that extend into the duct and catch lint.
- The appliance shall not be exhausted into a chimney, wall, ceiling, attic, crawl space, or a concealed space of a building.

## Built-In, Recessed, Closet and Alcove Installation

---

- The dryer MUST be vented to the outdoors.
- The dryer may be installed in a built-in, recessed area, closet or alcove.
- The installation spacing is in inches and is the minimum acceptable.
- Other installations must use the minimum dimensions indicated.
  - a) Minimum clearances between the dryer cabinet and adjacent wall are: 2" either side and 3" front and rear.
  - b) Minimum vertical space from floor to overhead cabinets, etc. is 52" (132cm).
- The rear of the dryer should face a wall.
- Consideration must be given to provide adequate clearance for installation and service.
- Closet doors must be louvered or otherwise ventilated and have at least 60 square inches of open area. If the closet contains both a washer and a dryer, door must contain a minimum of 120 square inches of open area.
- No other fuel-burning appliance shall be installed in the same closet with the dryer.

**NOTE:** If a door is installed that potentially encloses the unit while running, the door must allow for a minimum of 20 square inches of free air movement. There must also be a 1" additional spacing should be considered for easy installation, servicing and compliance with space in front of the unit to the closed door and 1" from the back of the unit to the wall.



### Minimum clearance other than alcove or closet installation

- Minimum clearance between the dryer cabinet and adjacent walls or other surfaces is: 2" clearance both sides and 3" rear.
- The rear of the dryer should face a wall.
- Consideration must be given to provide adequate clearance for installation and service.

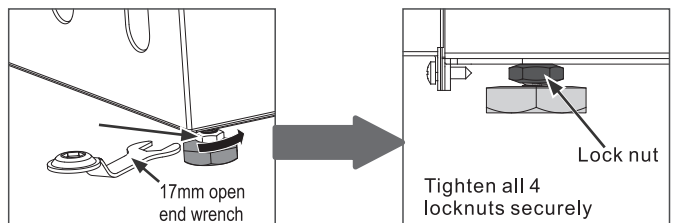
## Mobile home installation

- The dryer must be exhausted to the outdoors with the termination securely fastened to the mobile home structure. The exhaust **MUST NOT** be terminated beneath the mobile home or manufactured home.
- Provisions must be made for the introduction of outside air into the dryer. The free air opening shall not be less than 25 square inches.
- The exhaust duct material **MUST BE METAL**.
- The vent duct **MUST NOT** be connected to any other duct, vent or chimney.
- The dryer must be attached to the floor following instructions available from the dealer.
- Installation must comply with the current **CAN/CSA Z240MH** series Mobile Home Installation Codes.
- **DO NOT** use sheet metal screws or other fastening devices which extend into the interior of the exhaust vent.

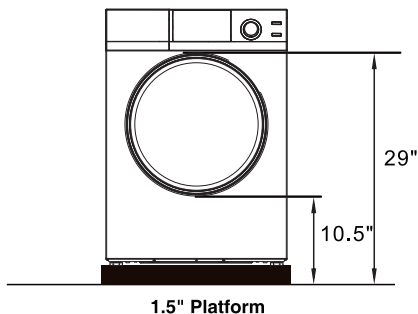
## Level the Dryer

1. Follow the installation requirement to install the dryer.
2. Move your dryer to an appropriate location. Consider installing the dryer and washer side-by-side, to allow access to electrical, and exhaust connections.
3. Set your dryer back in an upright position.
4. To ensure that the dryer provides optimal drying result, it must be leveled. To reduce the vibration, noise and unwanted movement, the floor must be a perfectly level, solid surface.
5. Adjust the leveling feet only as much as necessary to level the dryer. Extending the leveling feet more than necessary can cause the dryer to vibrate.

Fasten the lock nuts of 4-leveling feet against the bottom floor after the dryer is leveled.



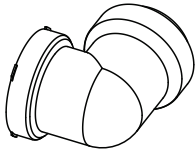
## ADA Compliance



Use 1.5" height platform to make the machine ADA compliant.

## Venting Connections

- This dryer **MUST** be vented to the outdoors.
- Use only 4" (10.2 cm) rigid metal duct for the home exhaust duct.
- Use only 4" (10.2 cm) rigid metal, UL-listed flexible metal, or UL-listed metal foil dryer transition duct to connect the dryer to the home exhaust.
- **Do not** use flexible duct inside the dryer.
- **Do not** exhaust into a chimney, kitchen exhaust, gas vent, wall, ceiling, attic, crawl space, or concealed space of a building. The combination of lint and grease could create a fire hazard or damages.
- **Do not** install a screen in or over the exhaust duct.
- **Do not** install a booster fan in the exhaust duct.
- **Do not** use duct longer than specified in the exhaust length table.
- Provide an access for inspection and cleaning the exhaust system at least once year.
- Failure to follow these instructions can result in death or fire.



**This Dryer Vent Elbow attachment is included with your Dryer.  
Attach it to the Exhaust Duct outlet at the back of your Dryer.**

## Exhaust system check list hood or wall cap

- Terminate in a manner to prevent back drain or entry of birds or other wildlife.
- Termination should present minimum resistance to the exhaust air flow and should require little or not maintenance to prevent clogging.
- Wall caps must be installed at least 12" (30 cm) above ground level or any other obstruction with the opening pointed down.
- If roof vents or louvered plenums are used, they must be equivalent to a 4" (10.2 cm) dampened wall cap in regard to resistance to air flow. Prevention of back drafts and regular maintenance are required to prevent clogging.

## Separation of turns

Separate all turns by at least 3 ft. (1 m) of straight duct, including distance between last turn and dampened wall cap. If two turns must be closer than 3 ft. (1 m) deduct 10 ft. (3 m) from the maximum length.

## Turn other than 90°

- One turn of 45° or less may be ignored.
- Two 45° turns should be treated as one 90°.
- Each turn over 45° should be treated as one 90°.
- Deduct 10 ft. (3 m) for each additional elbow. It is not recommended to use more than three 90° elbows.

## Sealing of joints

- All joints should be tight to avoid leaks. The male end of each section of duct must point away from the dryer.
- Do not assemble the duct work with fasteners that extend into the duct. They will serve as a collection point for lint.
- Duct joints can be made air and moisture-tight by wrapping the overlapped joints with duct tape.

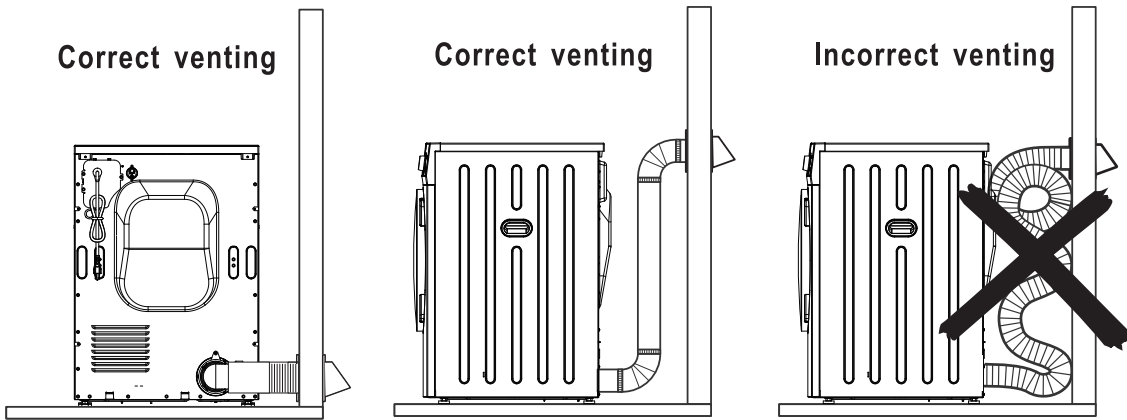
**Routing and connecting ductwork.**

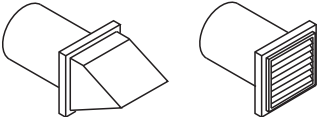
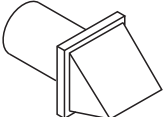
- Ductwork and fittings are NOT included and must be purchased separately.
- The exhaust duct run should be as short as possible.
- Use as few elbow joints as possible.
- The male end of each section of exhaust duct must point away from the dryer.
- Insulate ductwork that runs through unheated areas in order to reduce condensation and lint buildup on duct surfaces.
- Incorrect or inadequate exhaust systems are not covered by the dryer warranty.

**Insulation**

Ductwork which runs through an unheated area or is near an air conditioning duct, should be insulated to reduce condensation and lint build up and be sloped down toward outdoors.

**Note:** Never install screen inside exhaust duct.



EXHAUST LENGTH	Wall Cap Type			
	Recommended		Use only for short-run installation	
	 4" (10.2cm)		 2.5" (6.4cm)	
No. of 90° elbows	Rigid	Metallic Flexible	Rigid	Metallic Flexible
0	24.4 m (80 ft.)	12.5 m (41 ft.)	22.6m (74 ft.)	10.1 m (33 ft.)
1	20.7 m (68 ft.)	11.3 m (37 ft.)	18.9 m (62 ft.)	8.8 m (29 ft.)
2	17.4 m (57 ft.)	10.1 m (33 ft.)	15.5 m (51 ft.)	7.6 m (25 ft.)
3	14.3 m (47 ft.)	8.8 m (29 ft.)	12.5 m (41 ft.)	6.4 m (21 ft.)

**Do not use non-metallic flexible duct.**

## Electrical

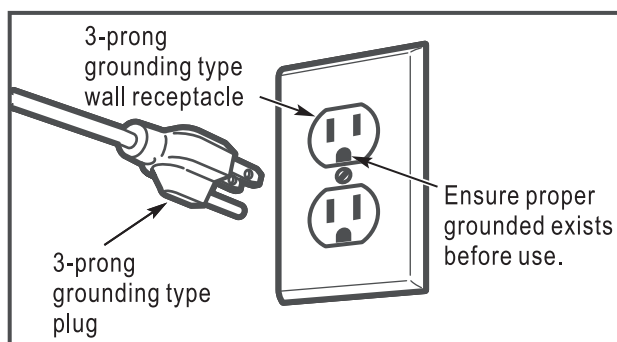
---

Wiring diagram is located on the back of the dryer.

### **⚠ WARNING**

- Improper connection of the equipment grounding conductor can result in a risk of electric shock. Check with a qualified electrician or serviceman if you are in doubt as to whether your dryer is properly grounded.
- To prevent unnecessary risk of fire, electric shock, or personal injury, **all** wiring and grounding must be done in accordance with local codes.
- It is your responsibility to provide adequate electrical services for your dryer.
- Before operating or testing, follow **all** grounding instructions in the Grounding section.
- An individual branch (or separate) circuit serving only your dryer is recommended. **DO NOT USE AN EXTENSION CORD.**
- Before making the electrical connection, turn off the circuit breaker(s), or remove the dryer's circuit fuse(s) at the electrical box. Be sure the dryer cord is unplugged from the outlet.

This dryer must be connected to an individual circuit identical to the one specified on the rating plate of the loading prot protected by fuses or circuit breaker conforming to local codes.



### **Grounding instructions**

**For a grounded, cord-connected dryer:** This dryer must be grounded. In the event of malfunction or breakdown, the grounding will reduce the risk of electric shock by providing a path of least resistance for the electrical current. This dryer uses a cord having an equipment-grounding conductor and a grounding plug. The plug must be plugged into an appropriate outlet that is properly installed and grounded in accordance with **all** local codes and ordinances.

### **Direct Line**

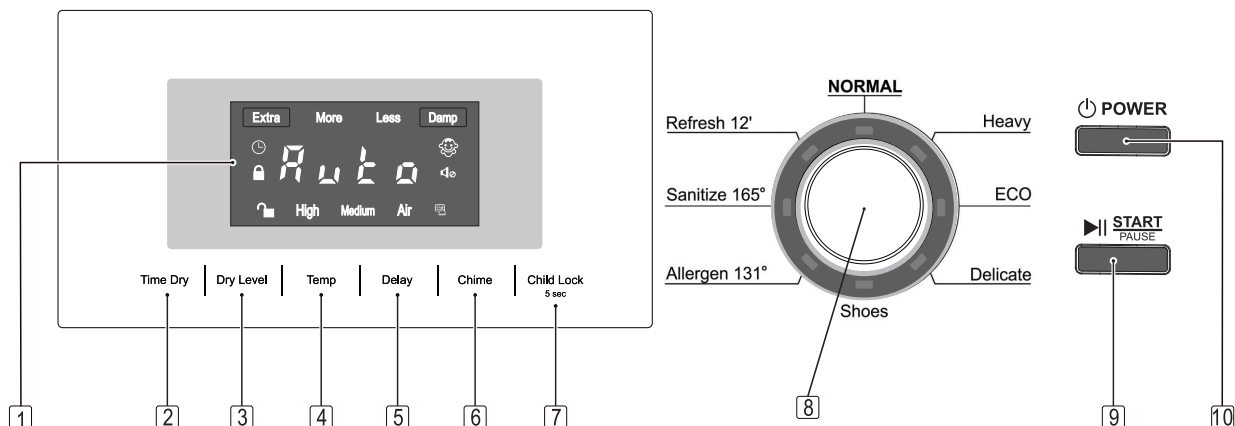
The Dryer is equipped with a plug on the back panel. Please insert the plug from your Washer into this Dryer plug. The Dryer electrical cord and plug can then be inserted into the wall socket. This Direct Line will prevent the fuse from blowing when both the Washer and Dryer are operating.

**Note:** This will only work with the same brand Washer and Dryer.

### **⚠ WARNING**

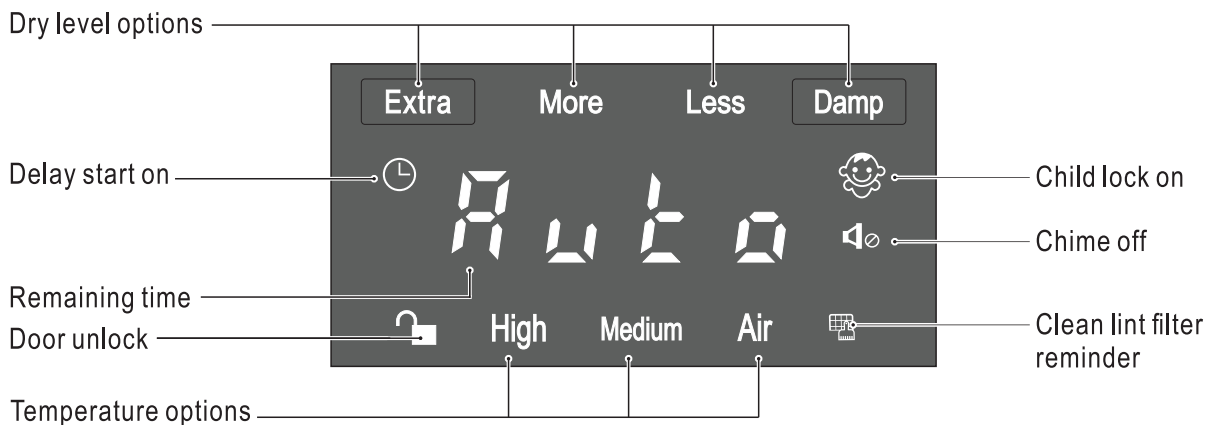
Improper connection of the equipment-grounding conductor can result in a risk of electrical shock. Check with a qualified electrician, or service representative or personnel, if you are in doubt as to whether the appliance is properly grounded. **DO NOT** modify the plug provided with the appliance: if it will not fit the outlet, have a proper outlet installed by a qualified electrician.

# Control Panel



1 Display Screen	The <b>Display screen</b> shows the estimated time remaining in the dry cycle. It also illuminates options that are selected for Dry Level, Temperature (heat level), Delay start, Chime, Child lock, and Clean Filter Reminder.
2 Time Dry	Press <b>Time Dry</b> to select the minutes to run the dry cycle.
3 Dry Level	Press <b>Dry Level</b> to select how much you want the clothes to dry. Press repeatedly to select from Extra, More, Less or Damp.
4 Temp.	Press <b>Temp.</b> to select the heat level for drying clothes. Press repeatedly to select from: High, Medium or Air.
5 Delay	Press <b>Delay</b> to start the dry cycle at a later time. Select from 1 to 24 hours.
6 Chime	Press <b>Chime</b> to turn the end of cycle chime sound, or button chime sound on or off.
7 Child Lock	The Child Lock function prevents children from playing with the buttons on the control panel. Press and hold <b>Child Lock</b> for 5 seconds to set or release the Child Lock.
8 Dry Cycle Dial	To select a dry cycle, rotate the <b>Dry Cycle Dial</b> to the desired cycle: Normal, Heavy, ECO, Delicate, Shoes, Allergen 131°, Sanitize 165°, and Refresh 12'.
9 Start / Pause button	Press the <b>Start/ Pause</b> button to start, pause, or restart the dry cycle.
10 Power button	Press the <b>Power</b> button once to turn the dryer on. Press and hold it for 3 seconds to turn the dryer off.

## Display Panel



## OPERATING INSTRUCTIONS

**Before using the Dryer, please check the inside of the drum to ensure that children or pets have not climbed into the appliance.**

### Operating the Dryer

#### Before Starting the Dry Cycle

- Empty pockets of items
- Do not dry clothes with residues of oil or flammable substances
- Follow clothing manufacturer's care labels.

Load clothes loosely into the dryer, ensuring that the clothes have enough room to tumble and to let the air circulate through the clothes. Filling the dryer with too many clothes will require more time to dry and may cause wrinkle in the clothing.

**Ensure that lint has been removed from the filter for efficient drying.**

The Clean Lint Filter Reminder icon will flash on the display screen.

### Power On

Close the door firmly and press the **Power** button to turn on the dryer. If the door is not closed properly, the **door unlock** icon will appear on the **Display Screen**.

The LED will illuminate on the **Display Screen** and on the **Dry Cycle Dial**.

The default setting is for **NORMAL** dry cycle, "**More**" Dry Level, "**Medium**" Temp and **2** hours dry time.

### Select a Dry Cycle

If the default **NORMAL** dry cycle is desired, the cycle can be started. If an alternate cycle is desired, rotate the **Dry Cycle Dial** in either direction to any of the other cycles: **Heavy**, **ECO**, **Delicate**, **Shoes**, **Allergen131°**, **Sanitize165°**.

The indicator light by the cycle name will illuminate. Each of the cycles has pre-set dry times, dry levels and temperatures, based on sensor drying. Sensor dry cycles monitor the moisture in the clothes and shut the dryer off automatically when the selected dry level is reached.

Note: The time shown remaining on the display screen may increase or decrease during the dry cycle as the sensor dry function monitors for moisture in the clothes and adjusts the time.

## Refresh

Refresh 12' is a time dry cycle which tumbles the clothes for a short time while blowing hot air into the drum. This reduces wrinkles and refreshes the clothes. Use this cycle after the drying is completed and before taking clothes out of the dryer. This is optional.

## Select Dry Level and Temperature

After the dry cycle is selected, you have the option to change the Dry Level and the Temperature.

- Press Dry Level to select how much you want the clothes to dry. Press repeatedly to select from: Extra, More, Less or Damp. The selection will illuminate on the display screen.
- Press Temp to select the heat level for drying clothes. Press repeatedly to select from: High, Medium or Air. The selection will illuminate on the display screen.

Note: Some dry cycles do not allow these settings to be changed. For example, Allergen and Sanitize only use High heat.

## Options

In addition to selecting the dry level and temperature, you can also select options on the Control Panel for **Delay**, **Chime** and **Child Lock**.

- Press **Delay** to start the dry cycle at a later time. Select from 1 to 24 hours. Each time you press increases the time in one-hour increments.
- Press **Chime** to turn the end of cycle chime sound on or off. An indicator light will illuminate on the **Display Screen** to show if the Chime is on or off.
- The Child Lock function prevents children from playing with the buttons on the control panel. Press and hold **Child Lock** for 5 seconds to set or release the Child Lock. An indicator light will illuminate on the display screen to show that the Child Lock is set. Once Child Lock is set, no button except for the **Power** button will function until the Child Lock has been released.

## Time Dry

If you want to set a specific time for drying (not using sensor dry cycles) press **Time Dry** to select the minutes to run the dry cycle. Repeated pressing of **Time Dry** increases the time in 10-minute increments up to one hour.

## Start the cycle

After dry cycle and options have been selected, Press the **START/PAUSE** button to start the cycle. The cycle can be paused at any time either by opening the door, or by pressing the **START/PAUSE** button.

## End of the cycle

When the cycle is completed, "**End**" will be displayed on the screen and the chime will sound if it has been set. Open the dryer door and remove the clothes from the dryer. It is recommended that clothes be removed from the dryer when the cycle ends and the clothes are still warm. Folding them right away will reduce wrinkles.

If clothes have been sitting in the dryer for a while after the cycle has ended, the **Refresh 12'** cycle can be run for a quick refresh of the clothes.

## Program Selection Chart

Cycle	Fabric type	Dry level (Default)	Temperature (Default Heat)	Sensor Dry Pre-set Time
NORMAL	Mixed cottons	More	Medium	2 hrs
Heavy	Towels, jeans	Extra	High	2 hrs 30 mins
ECO	Mixed cottons	More	Medium	1 hr 40 mins
Delicate	Silk, Wool	Damp	Air	2 hrs
Shoes	Shoes	More	Medium	2 hrs
Allergen 131°	Sheets	Extra	High	2 hrs 15 mins
Sanitize 165°	Mixed Cottons	Extra	High	2 hrs 30 mins
Refresh 12'	Mixed and Heavy	—	Medium	12 mins

**NOTE:** For **Allergen 131°**, **Sanitize 165°** and **Delicate** cycles, the **Dry Level** and **Temperature** cannot be changed from the default settings.

### Allergen Function

The Allergen 131° cycle heats the air to 131°F to remove allergens from clothes. This Sensor Dry cycle is pre-set to High heat temperature and Extra Dry Level and runs for 2 hours and 15 minutes. Turn the Dry Cycle Dial to Allergen 131° and press the Start/Pause button.

Clothes that have already been dried in another dry cycle, can be additionally run in the Allergen 131° cycle. Turn the Dry Cycle Dial to Allergen 131°, and press Time Dry and select the minutes to dry, then press the Start/Pause button.

### Sanitize Function

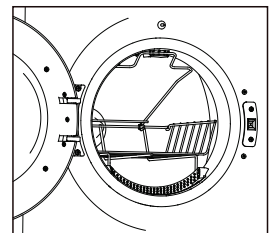
The Sanitize 165° cycle heats the air to 165°F to remove germs from clothes. This Sensor Dry cycle is pre-set High heat temperature and Extra Dry Level and runs for 2 hours and 30 minutes. Turn the Dry Cycle Dial to Sanitize 165°, and press the Start/Pause button.

Clothes that have already been dried in another dry cycle, can be additionally run in the Sanitize 165° cycle. Turn the Dry Cycle dial to Sanitize 165°, and press Time Dry and select the minutes to dry, then press the Start/Pause button.

### Drying Rack (Optional)

The drying rack can be used to dry items such as delicates and shoes.

- Install the drying rack by placing the front lip on top of the lint filter.
- Place items to be dried flat on the rack, leaving enough space for air circulation.
- Lower the top bar onto the rack to hold the items in place.



## Maintenance

To reduce the risk of electric shock, disconnect this dryer from the power supply before attempting any user maintenance other than cleaning the lint trap at the door. Pressing the POWER button does not disconnect this appliance from the power supply.

### Cleaning

Clean with a soft, damp cloth. Do not use abrasive substances.

Do not spray cleaners directly on the panel.

The control panel finish may be damaged by some laundry pre-treatment soil and stain remover products.

Apply such products away from your dryer and wipe up any spills or over spray immediately.

Protect the surface from sharp objects as they may scratch or damage the finish.

Do not place any heavy or sharp objects or a detergent box on the dryer. Keep them on the purchased pedestal or in a separated storage box.

### Lint Filter

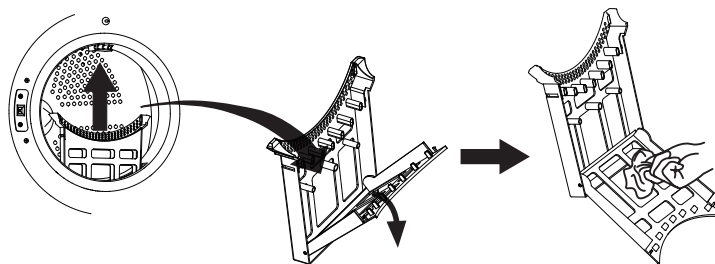
Clean the lint filter before each dry cycle.

Pull the lint filter straight up. Moisten your fingers and remove the captured lint. Once clean, slide the filter back into its position.

Have a qualified technician vacuum the lint from the dryer once a year.

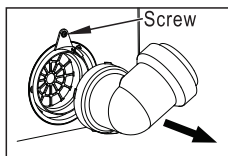
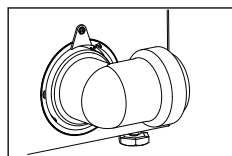
**NEVER operate the dryer without its lint filter in place.**

**NEVER operate the dryer with a wet lint filter.**



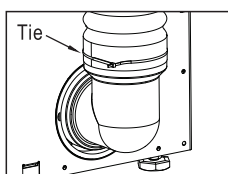
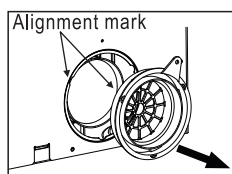
### Clean the lint filter at exhaust outlet regularly.

1. Release the tie to remove the exhaust hose from the exhaust elbow.



2. Turn the exhaust elbow counter clockwise about 30°, and pull it out.

3. Unscrew the screw that hold the lint filter in its place. Turn the filter about 30°, then pull it out. Clean all the lint on the filter and in the exhaust duct.



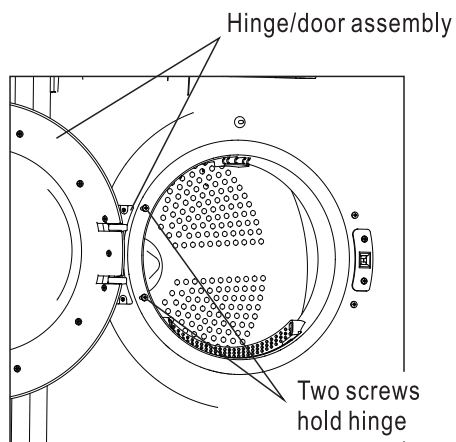
4. Re-install all the parts by following the reverse steps.

# Door Reversal

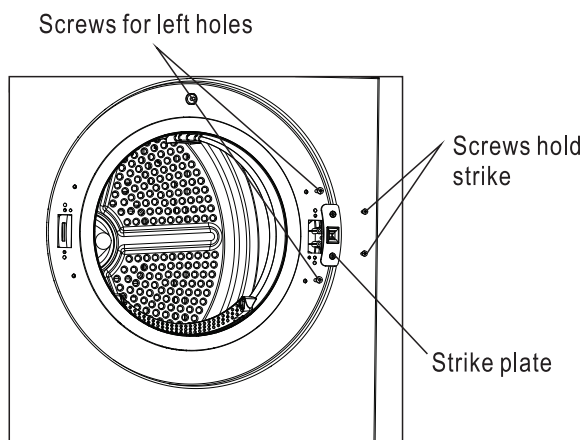
## Reversing the Door Swing (Optional)

- Before you start, unplug your dryer from its electrical outlet.
- Handle any parts carefully to avoid scratching the surface.
- This dryer must be exhausted to the outdoors.
- Do not move the dryer when service until door swing reversal completed.
- These steps are for changing the hinge and door assembly from left side to the right side. If you ever want to switch them back to the left side, follow these instructions and reverse all references to the left and right.

**Step 1.** Open the door. Remove the two screws holding the hinge/door assembly to the cabinet. Carefully set them aside.

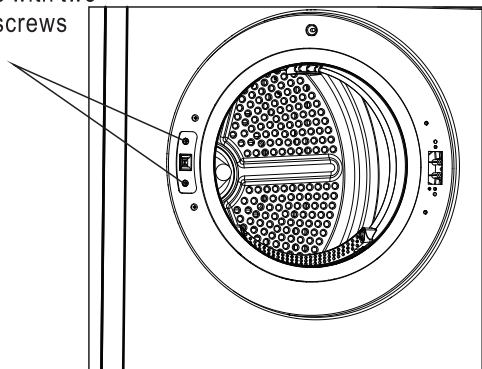


**Step 2.** Remove the two screws holding the strike plate, and the other two screws above and under the strike plate.

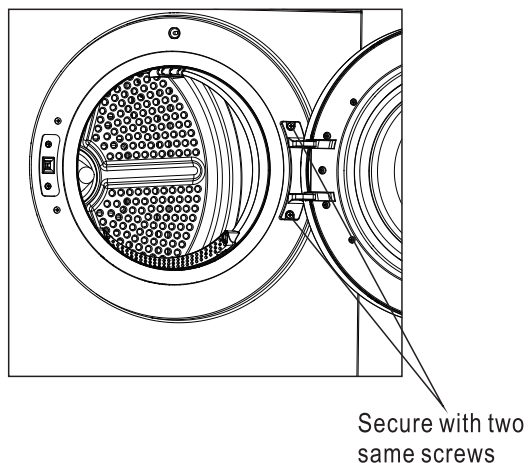


**Step 3.** Rotate the strike plate, then re-install it on the opposite side. And screw the other two screws into the holes left after remove the hinge/door assembly.

Secure with two same screws



**Step 4.** Rotate and replace the hinge/door assembly on the opposite side, secure them using the same screws.



## Troubleshooting

In most cases, when your Dryer fails to work, the problems arising can be easily solved without having to call for a technician. Before calling for assistance, always check these points.

Problem	Possible Causes	Solutions
Dryer will not turn on	Power cord is not properly plugged in. House fuse is blown, circuit breaker has tripped, or power outage has occurred.	Make sure that the plug is plugged securely into a grounded outlet matching the dryer's rating card. Reset circuit breaker or replace fuse. Do not increase fuse capacity. If the problem is circuit overload, have it corrected by a qualified electrician.
Dryer shakes or makes noise	Some shaking/noise is normal. Dryer may be sitting unevenly.	Move the dryer to an even floor space, or adjust the leveling legs as necessary until it is even.
Clothes take too long to dry	Improper or obstructed duct	Check the Installation Instructions to make sure the dryer venting is correct. Make sure duct is clean, free of kinks and unobstructed. Check to see if outside wall cap operates easily.
	Improper sorting	Separate heavy items from lightweight items (generally, a well-sorted washer load is a well-sorted dryer load).
	Large loads of heavy fabrics (like beach towels)	Large, heavy fabrics contain more moisture and take longer to dry. Separate large, heavy fabrics into smaller loads to speed drying time.
	Controls improperly set	Match the settings to the clothes to dry.
	Lint filter is full	Clean the filter before every load.
	Blown fuses or tripped circuit breaker	Replace fuses or reset circuit breakers. Since most dryers use 2 fuses/breakers, ensure both are operating.
	Overloading/combining loads	Do not put more than one wash load in the dryer at a time.
The dry level was chosen, but load is still damp	Load consists of a mixture of heavy and light fabrics	When combining heavy and light fabrics in a load, select Extra dry level.
	Lint filter is blocked	Check and clean the lint filter.
	Dry sensor is dirty	Clean the sensor with a moist cloth.
Control button(s) not responding	Child lock activated	This is normal, press the button for 5 seconds to release.
	The option is incompatible with the desired dry cycle.	This is normal, select the right options for your dry cycle.
Remaining time changed to a lower or a greater number	The estimated time may change when dry a smaller, or bigger load than normal load.	This is normal.
Dryer doesn't heat	Fuse is blown/circuit breaker is tripped	Check the fuse/circuit breaker, and replace fuse or reset breaker.

<b>Problem</b>	<b>Possible Causes</b>	<b>Solutions</b>
Clothes are still wet and dryer shut off after a short time	The door was opened before the end of dry cycle, then the load was removed, and a new wet clothes were loaded without selecting a new cycle	A new dry cycle must be selected for each new load.
	Load was already dry except for collars and waistbands	Choose Quick Dry or Time Dry to dry damp collars and waistbands. In the future, when drying a load with collars and waistbands, choose Extra.
Clothes are wrinkled	Over drying	Select a shorter drying time. Remove items while they still hold a slight amount of moisture. Select a Damp setting.
	Items sit in dryer after cycle ends	Remove items when cycle ends and fold or hang immediately.
	Overloading	Separate large loads into smaller ones.
Clothes shrink	Some fabrics will naturally shrink when washed. Others can be safely washed, but will shrink in the dryer.	To avoid shrinkage, follow garment care labels exactly. Some items may be pressed back into shape after drying. If you are concerned about shrinkage in a particular item, do not machine wash or tumble dry it.
Greasy spots on clothes	Drying dirty items with clean ones	Use your dryer to dry only clean items. Dirty items can stain clean items and the dryer.
	Clothes were not completely clean	Sometimes stains which cannot be seen when the clothes are wet appear after drying. Use proper washing programs before drying.
Lint on clothes	Lint filter is full	Clean lint screen before each load.
Static occurs	Synthetics, permanent press and blends can cause static	Try a fabric softener.
	Over drying	Try a fabric softener. Select Damp dry level.

## Error Codes

Information codes may be displayed to help you understand better what is wrong with your dryer.

Error Codes	Problem	Solutions
E -1	Door is open	Close the door well.
	Door switch failure	Check the wiring connections between door switch and the Electronic Module. Replace a new door switch.
E -2	Dry sensor failure	Check the wiring connections between dry sensor and the Electronic Module. Replace a new dry sensor.
E -5	Dry heating failure	Clean the lint filter at exhaust outlet. Push down the button of thermostat.
E -7	Drum does not rotate	Belt has fallen off or broken. Replace belt.

If Error Codes display that are other than the ones listed in the table, please contact Customer Service.