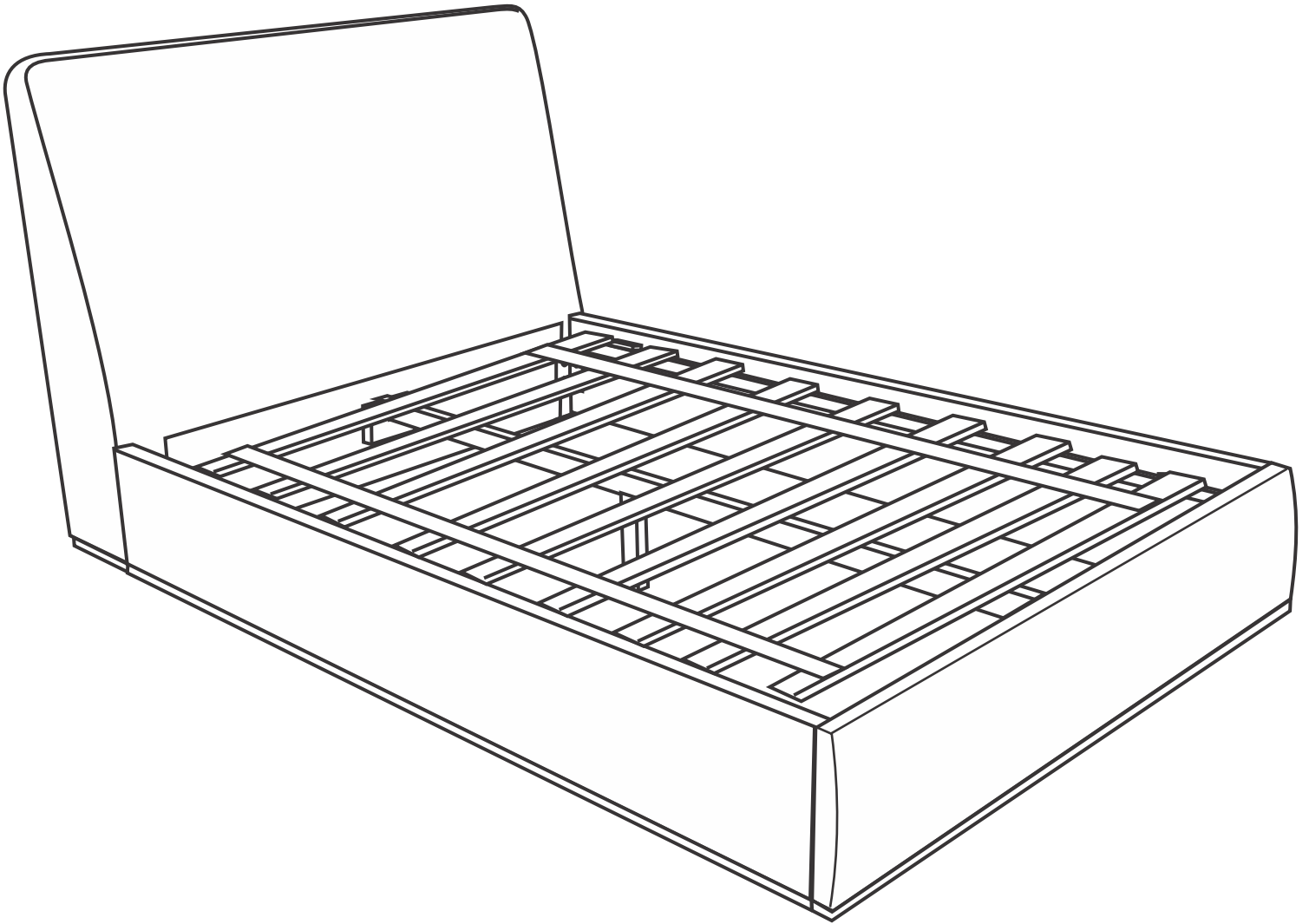
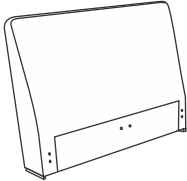



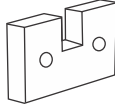

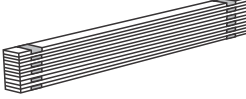



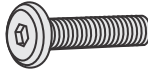




# Assembly instruction Colt Bed



# Assembly instruction Colt Bed

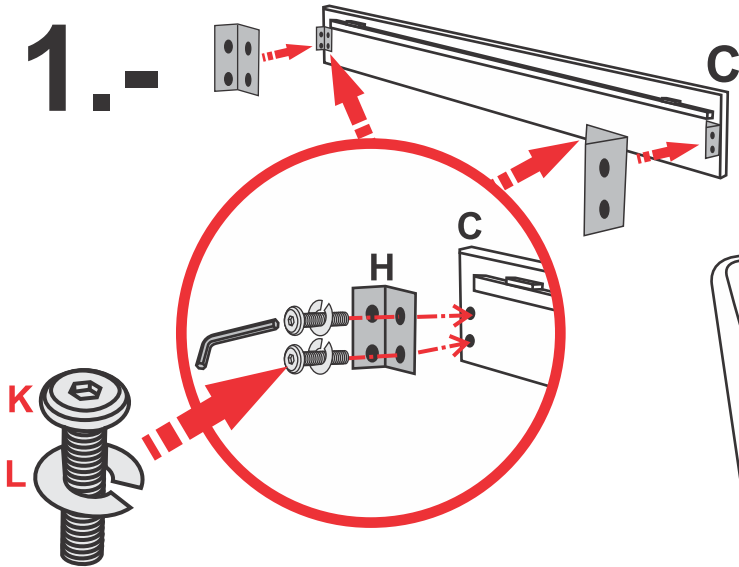
## Hardware List

<b>A</b>		<b>Headboard</b>	<b>1</b>
<b>B</b>		<b>Footboard</b>	<b>1</b>
<b>C</b>		<b>Stringers</b>	<b>2</b>
<b>D</b>		<b>Central Leg</b>	<b>1</b>
<b>E</b>		<b>Center support</b>	<b>2</b>
<b>F</b>		<b>Center beam</b>	<b>1</b>
<b>G</b>		<b>Wood</b>	<b>10</b>
<b>H</b>		<b>Bracket</b>	<b>4</b>
<b>I</b>		<b>Bolt 1/4" x 2 1/2" In.</b>	<b>4</b>
<b>J</b>		<b>Flat Washer 1/4" In.</b>	<b>4</b>
<b>K</b>		<b>Bolt 1/4"x1 1/2" In.</b>	<b>16</b>
<b>L</b>		<b>Split Lock Washer 1/4" In.</b>	<b>16</b>
<b>M</b>		<b>Allen Key</b>	<b>1</b>

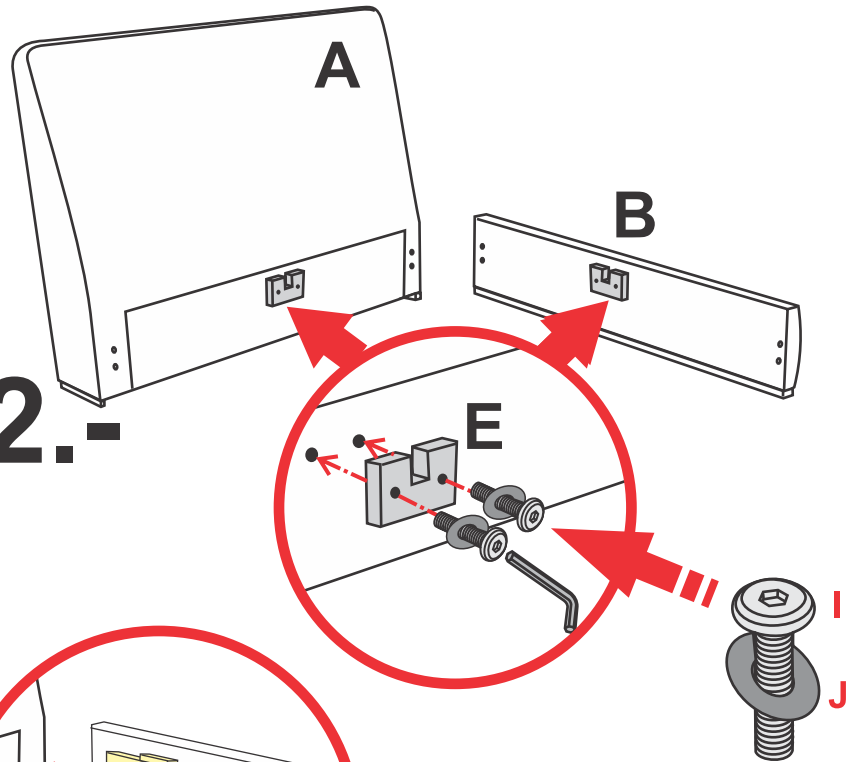
It is recommended it be assembled by two people  
To make installation easier, use a screwdriver and,  
if necessary, ask for professional assistance.

# Assembly instruction Colt Bed

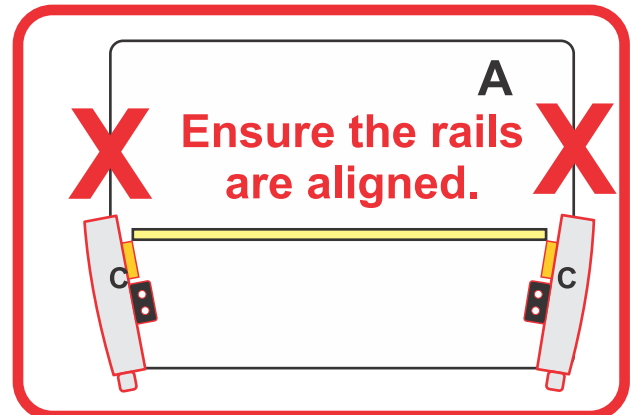
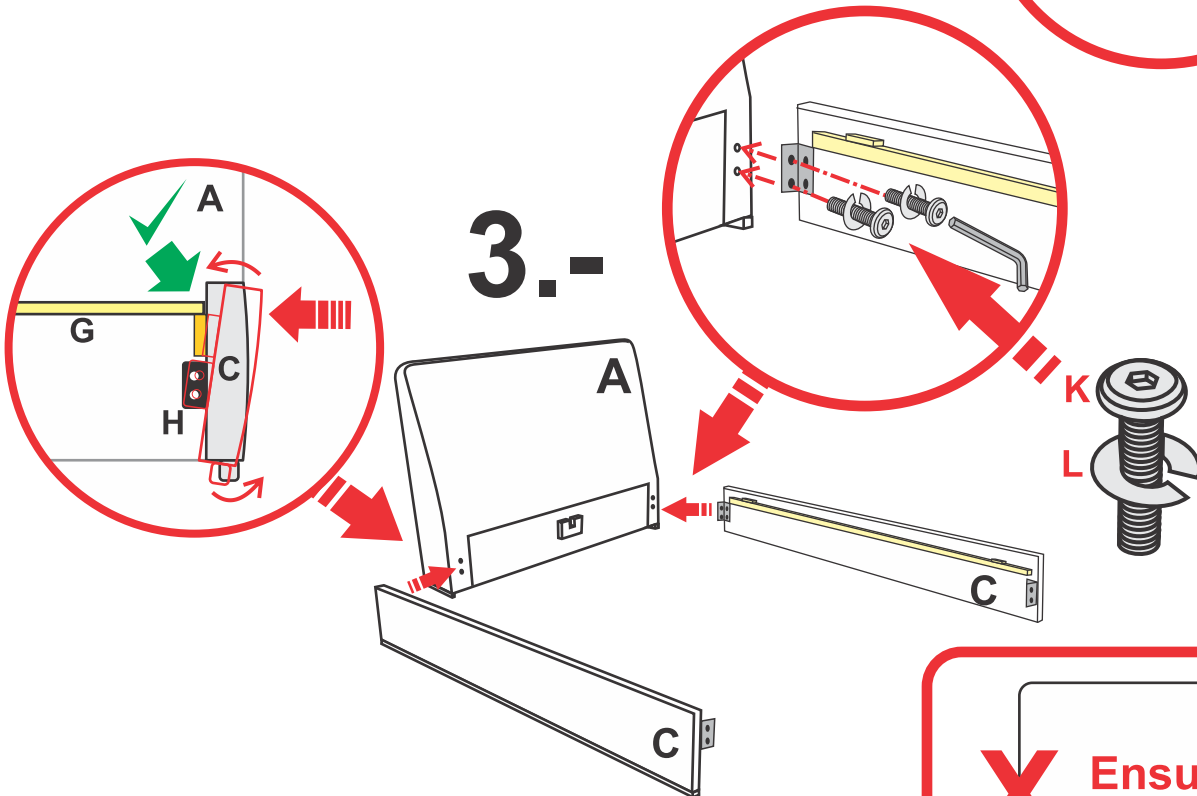
1.-



2.-

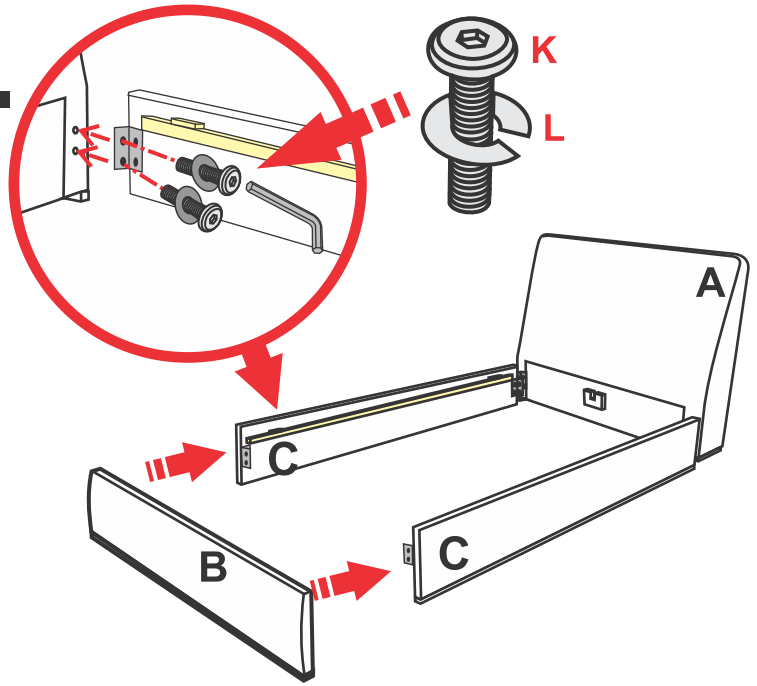


3.-

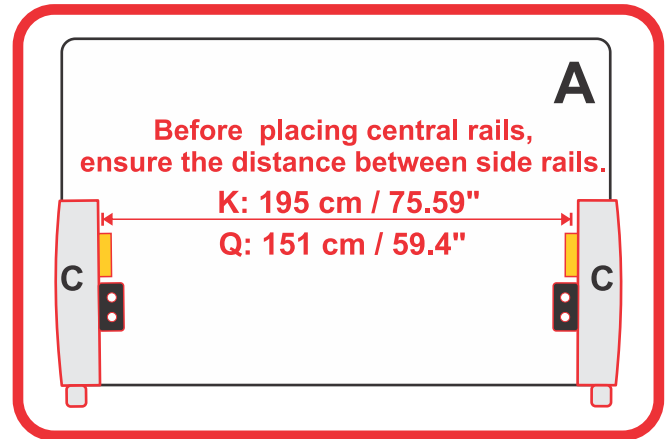
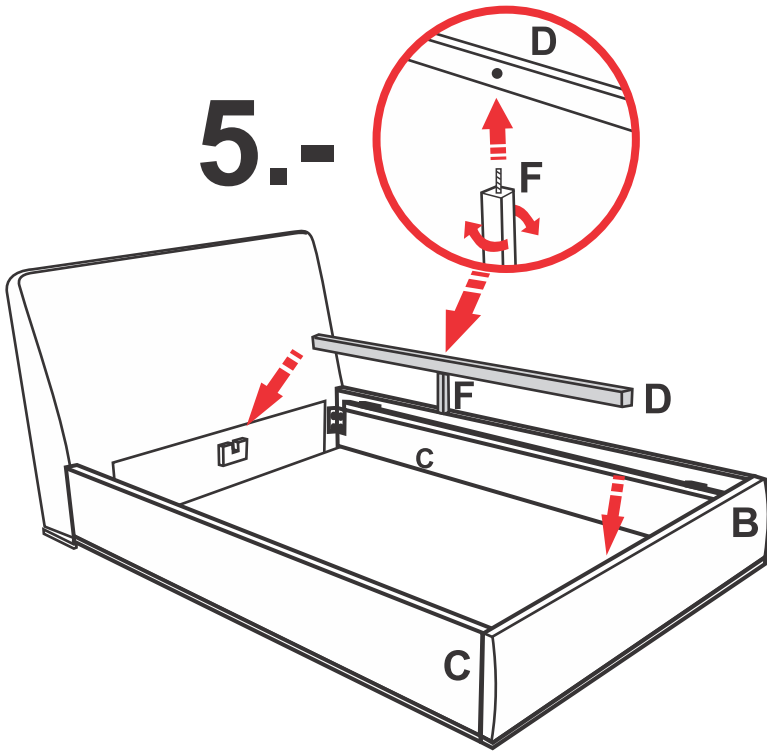


# Assembly instruction Colt Bed

4.-



5.-



6.-

