

STORAGE CABINET

User Manual

INTRODUCTION



Thank you for choosing us. Please read this user manual carefully and keep it for future reference. If you need any assistance, please contact us by email with your order number and details.

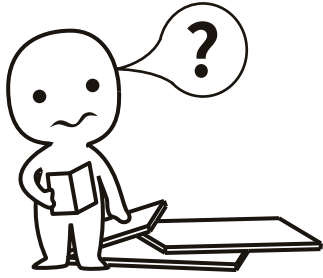
PACKAGE CONTENTS

- 1x Storage Cabinet
- 1x Pack of Accessories
- 1x User Manual

PRODUCT CARE

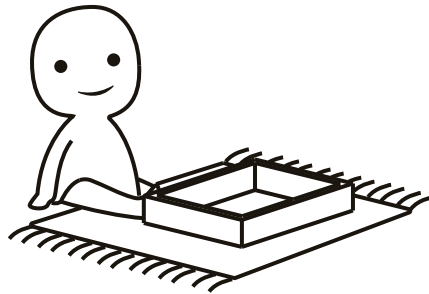
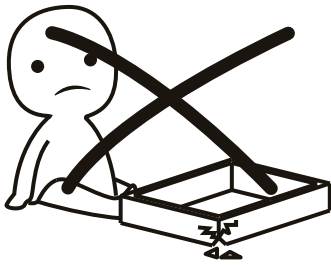
- Please follow the instruction to assemble this item correctly.
- Don't make the screws be too loose or too tight.
- Please put the screws into the holes' position just as shown in the arrows of the image, and then clockwise rotate 90° or 180°
- More product parts, it is recommended that two people install
- The fittings pack contains small accessories that should be kept away from small children.

! WARNING	
	<p>Children have died from furniture tipover. To reduce the risk of furniture tipover:</p> <ul style="list-style-type: none">- ALWAYS install Anti-tip device provided.- NEVER put a TV on this product.- NEVER allow children to stand, climb or hang on any drawers, doors, or shelves.- NEVER open more than one drawer at a time.- Place heaviest items in the lowest drawers.
	<p><i>This is a permanent label. Do not remove!</i></p>



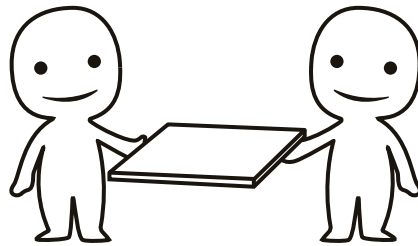
IMPORTANT INFORMATION!

please read the entire manual before starting to assemble and/or using this product. follow the manual thoroughly and keep it for further reference.



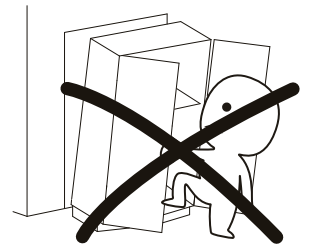
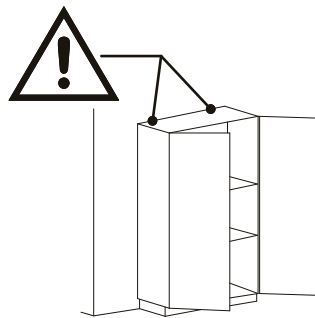
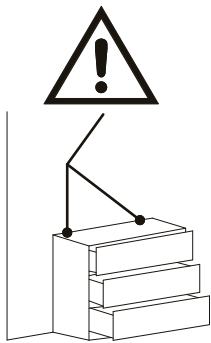
AVOID SCRATCHES!

In order to avoid scratching this furniture should be assembled on a soft layer-could be a rug.



IMPROVE EFFICIENCY!

Try to find a partner to install with you, which can speed up the installation efficiency and shorten the time.



ANTI-TOPPLE WARNING !

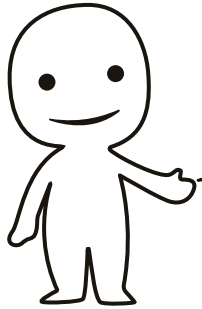
Overturnd furniture can cause serious or fatal crush injuries. To prevent tipping over, be sure to use the wall attachment, if not included with this product. Please purchase the wall attachment that fit your wall. If unsure, seek professional advice. Please read and follow each step of the instructions carefully.

IMPORTANT !

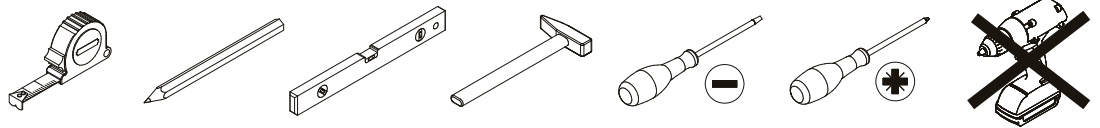
It is important that any product which is assembled using any kind of screw is re-tightened 2 weeks after assembly, and once every 3 months - in order to assure stability through-out the lifespan of the product.

For regular maintenance and cleaning of the product, for the frame, please use a rag dipped in neutral detergent to fully wipe it, and then dry it with a clean rag. For glass materials, wipe with a rag dampened with water glass cleaner, and then dry with a dry rag.

Do not use an electric screwdriver, and do not use too much force when installing, because the board is easy to break.

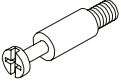

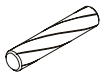



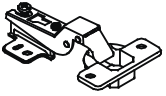

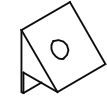





Please prepare the following tools



When installing, please carefully confirm whether each screw corresponds to the manual, accessories with similar shapes can be distinguished by size

Hardwares list

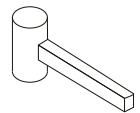
A M6*35mm  x26	B M15*10mm  x26	C M5.8*30mm  x46
D M8*65mm  x12	E  x1	F M4*40mm  x12
I  x4	J M4*35mm  x6	K  x6
N  x2	O  x4	P  x4

TOOLS REQUIRED:

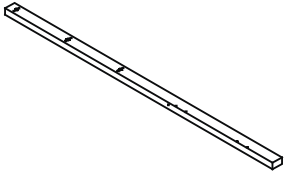
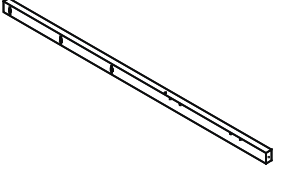
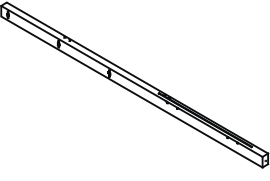
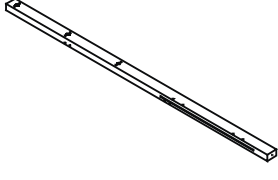
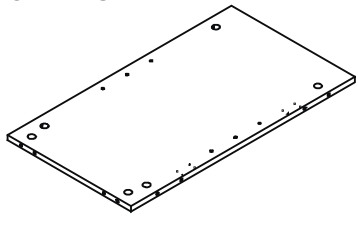
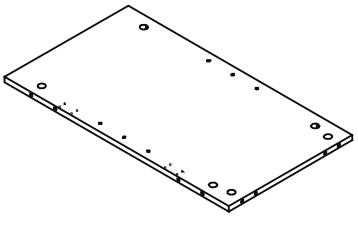
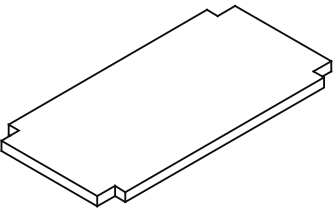
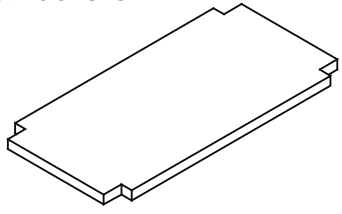
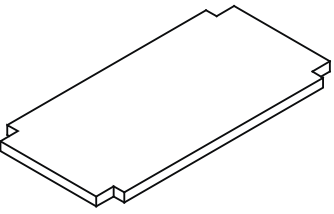
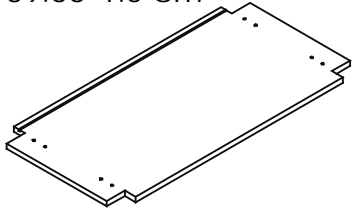
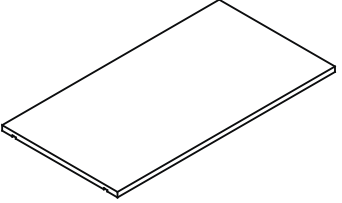
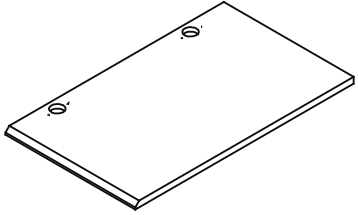
Screwdriver



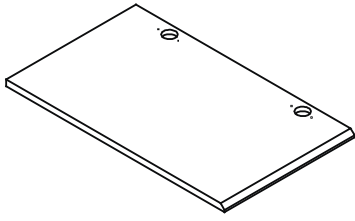
Hammer



PARTS LIST

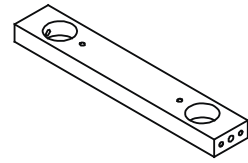
<p>① 6*3.76*169.8 cm</p>  <p>x1</p>	<p>② 6*3.76*169.8 cm</p>  <p>x1</p>
<p>③ 6*3.76*169.8 cm</p>  <p>x1</p>	<p>④ 6*3.76*169.8 cm</p>  <p>x1</p>
<p>⑤ 59*32.6*1.2 cm</p>  <p>x1</p>	<p>⑥ 59*32.6*1.2 cm</p>  <p>x1</p>
<p>⑦ 79.86*39.66*3 cm</p>  <p>x2</p>	<p>⑧ 79.86*39.66*3 cm</p>  <p>x1</p>
<p>⑨ 79.86*39.66*3 cm</p>  <p>x1</p>	<p>⑩ 79.86*39.66*1.5 cm</p>  <p>x1</p>
<p>⑪ 67.8*36*1.5 cm</p>  <p>x1</p>	<p>⑫ 56.26*33.5*1.5 cm</p>  <p>x1</p>

⑬ 56.26*33.5*1.5 cm



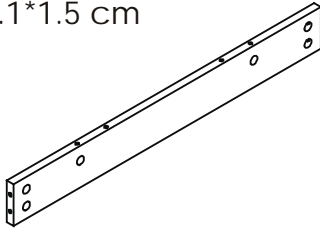
x1

⑭ 32.6*5.56*2.5 cm



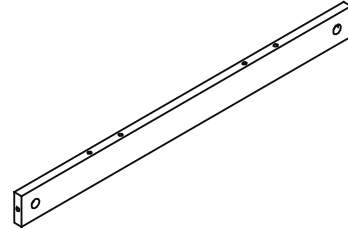
x6

⑮ 67.9*8.1*1.5 cm



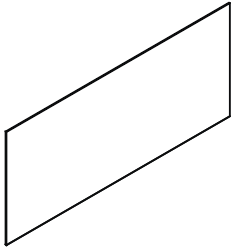
x2

⑯ 67.9*5.1*1.5 cm



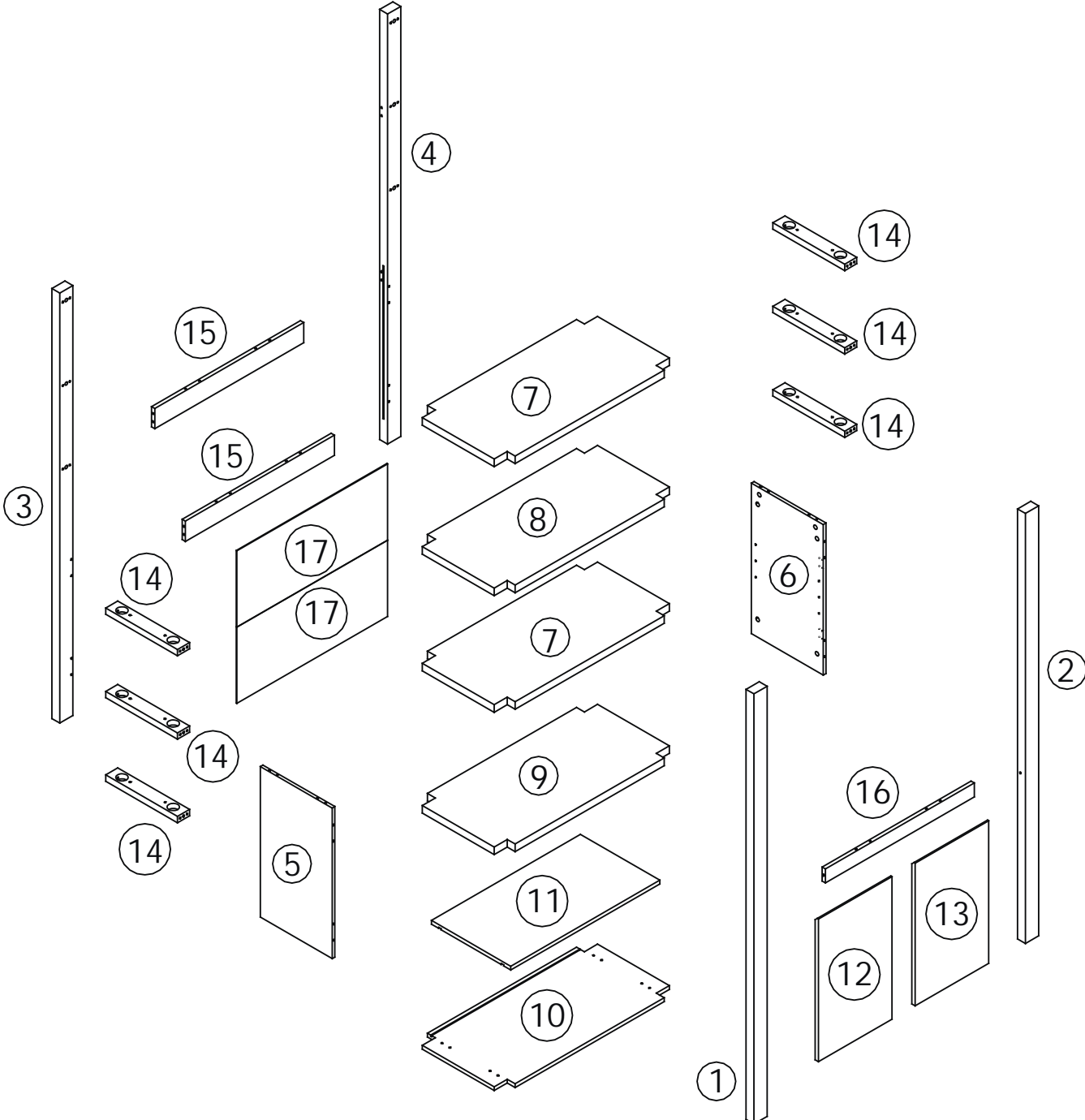
x1

⑰ 68.7*28.85*0.3 cm



x2

PANEL LAYOUT



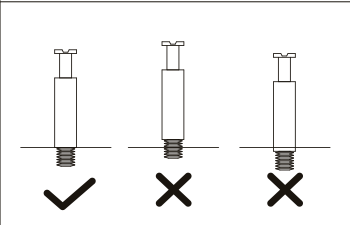
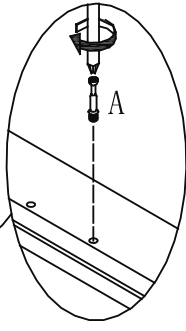
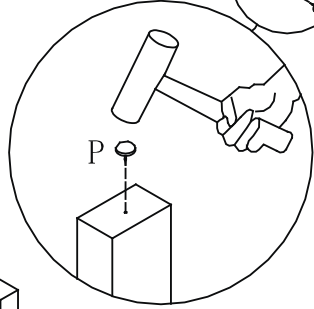
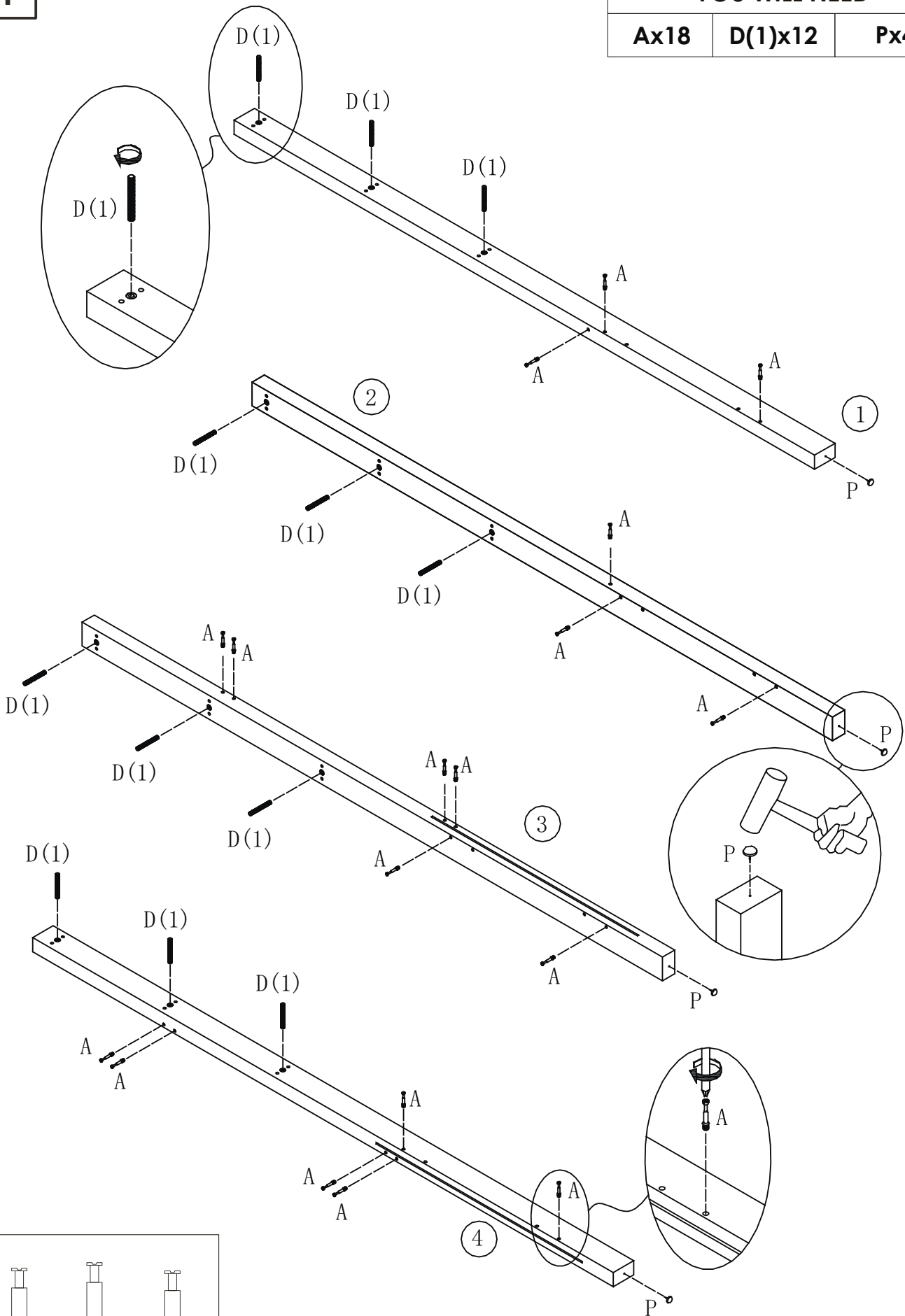
1

YOU WILL NEED

Ax18

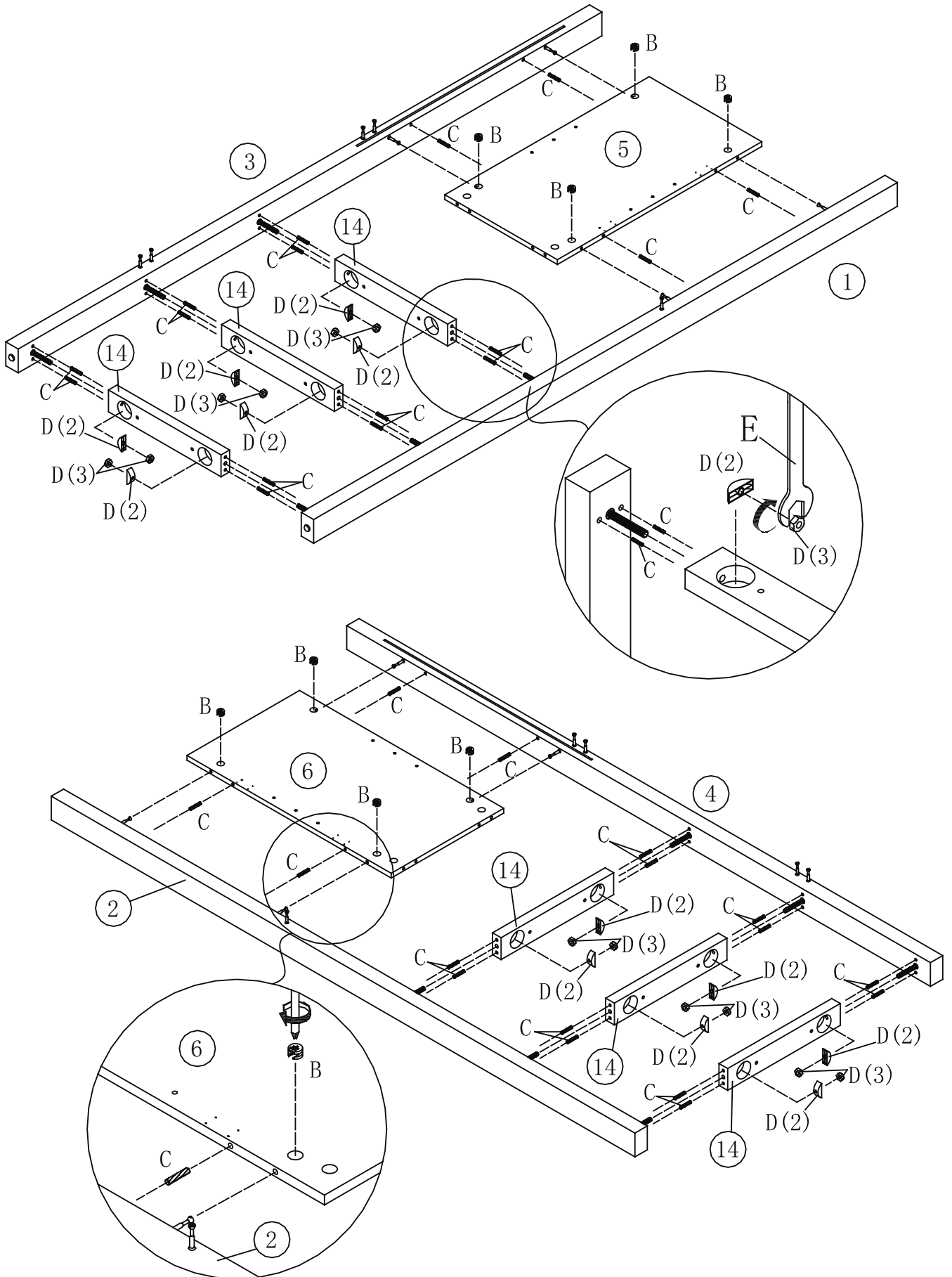
D(1)x12

Px4



YOU WILL NEED

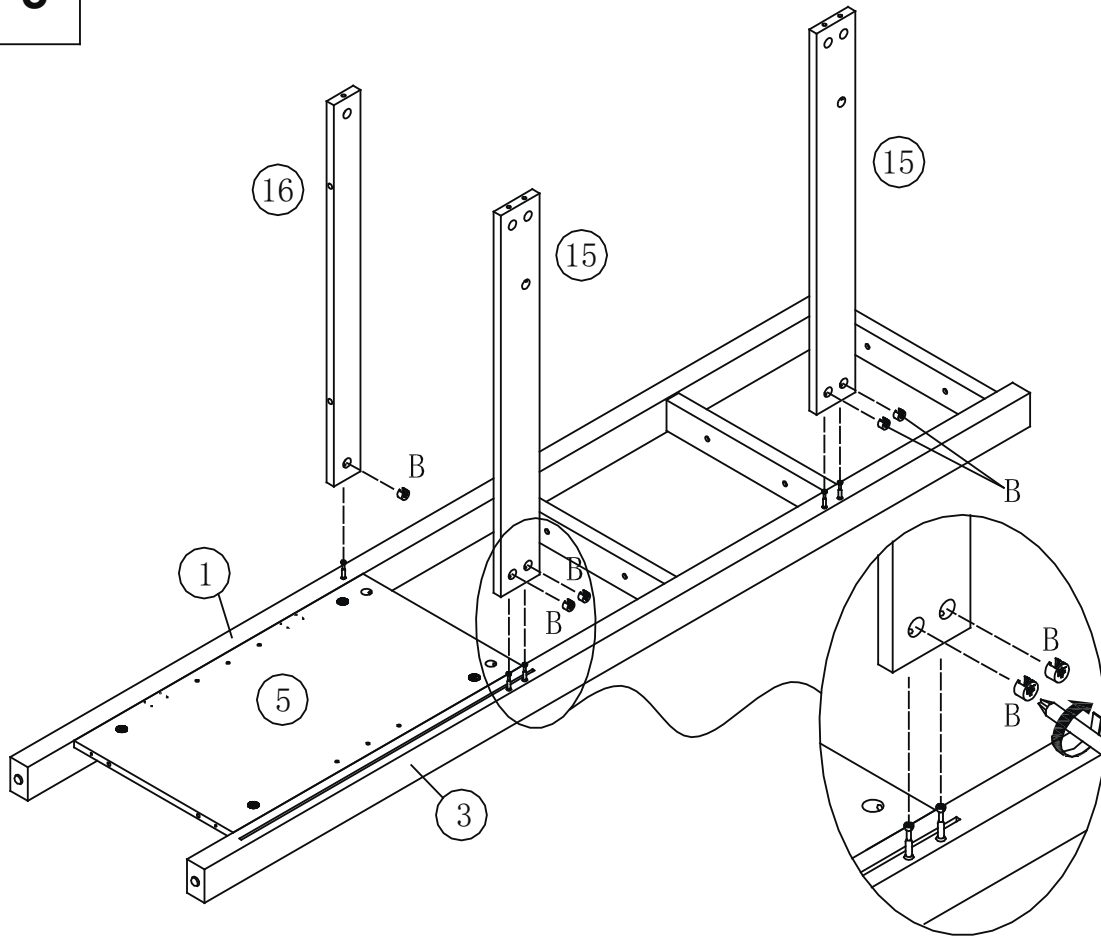
Bx8	Cx32	D(2)x12	D(3)x12	Ex1
-----	------	---------	---------	-----



3

YOU WILL NEED

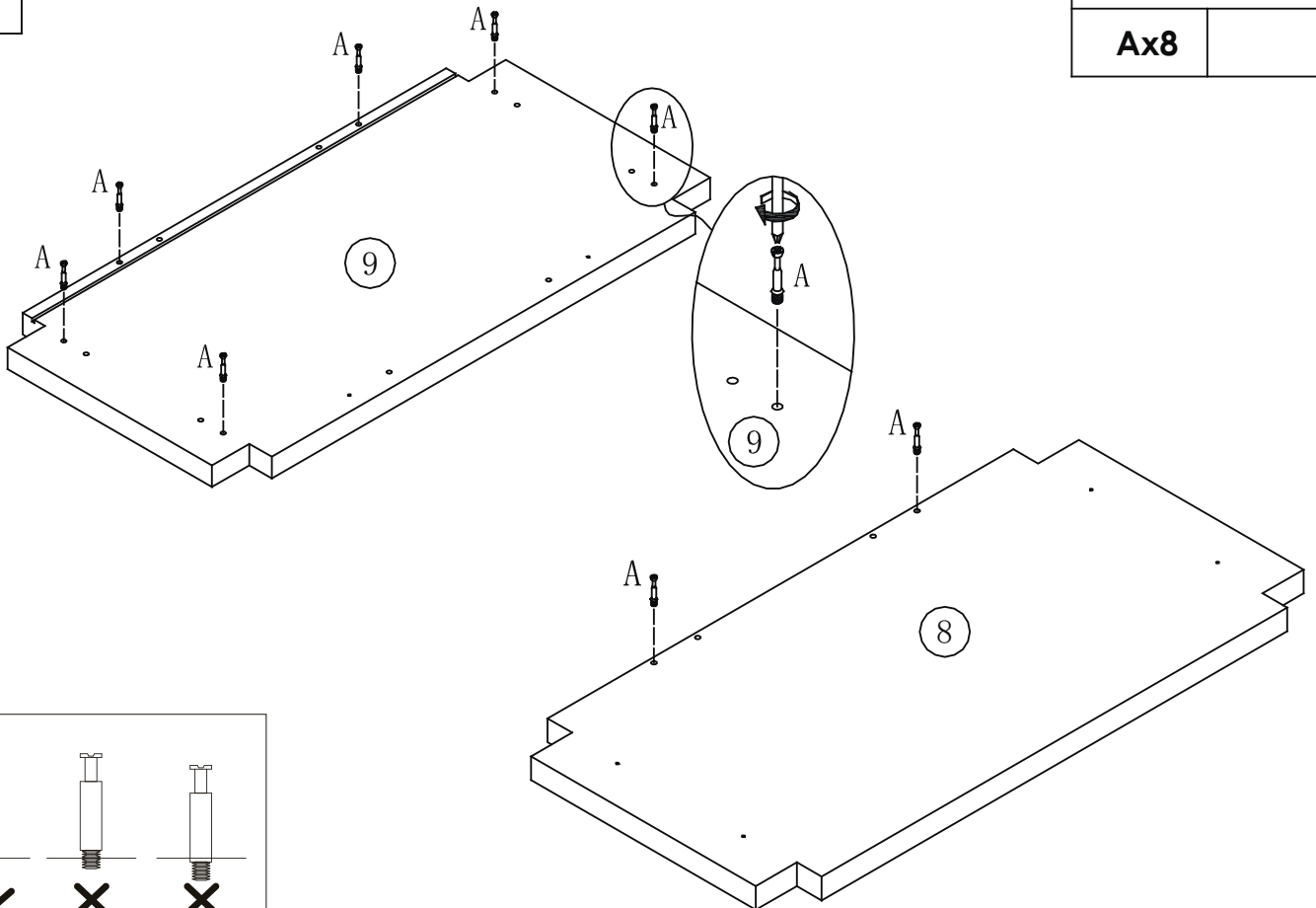
Bx5



4

YOU WILL NEED

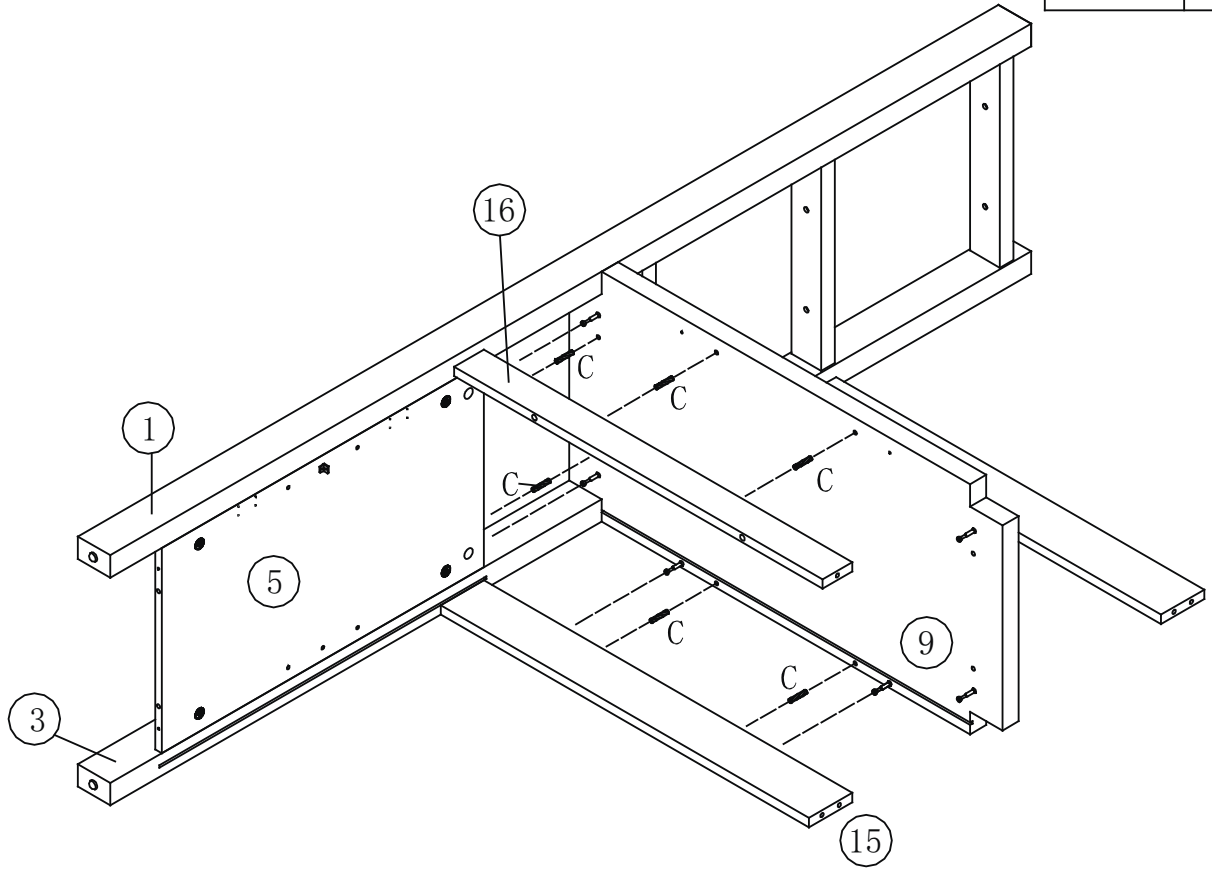
Ax8



5

YOU WILL NEED

Cx6

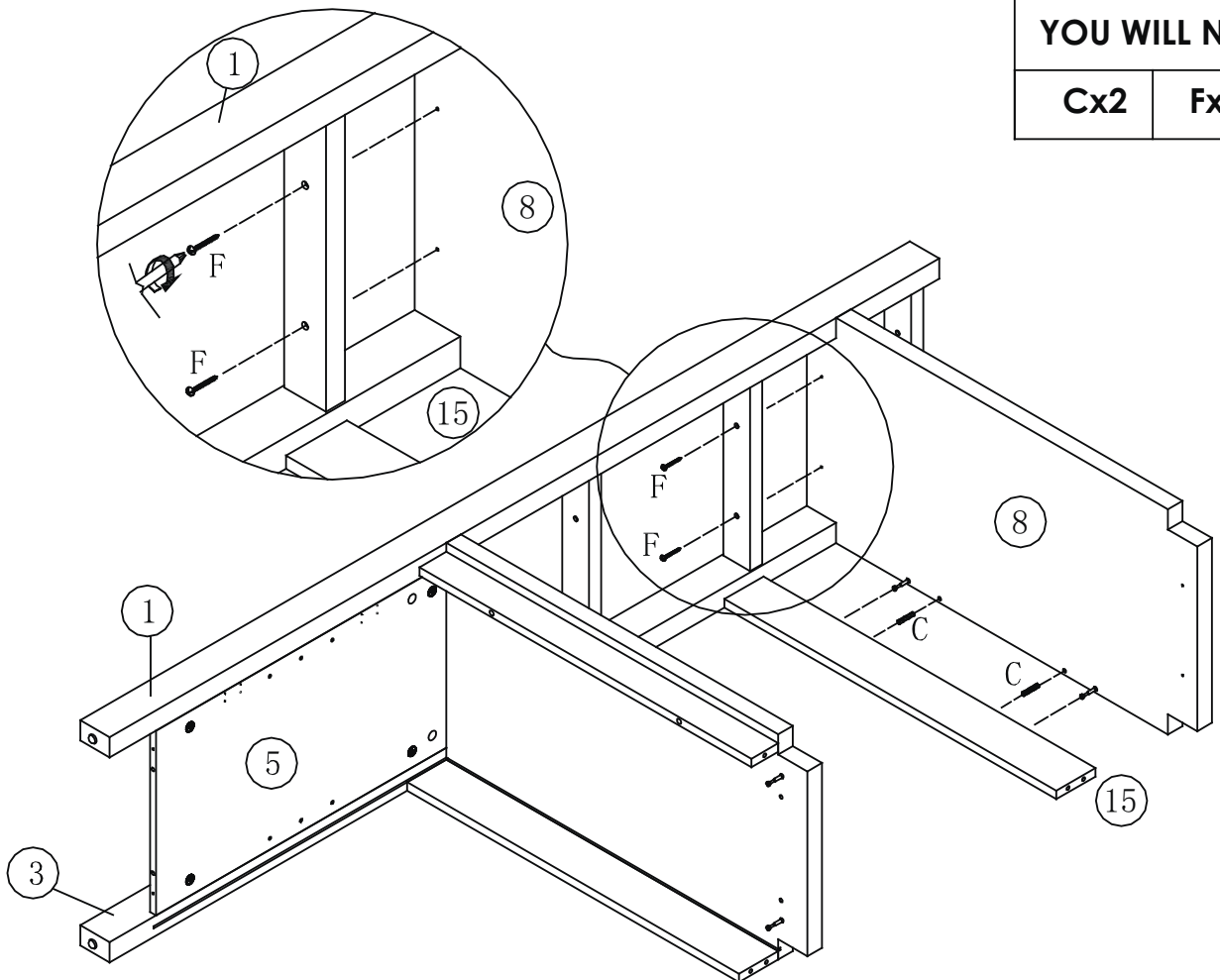


6

YOU WILL NEED

Cx2

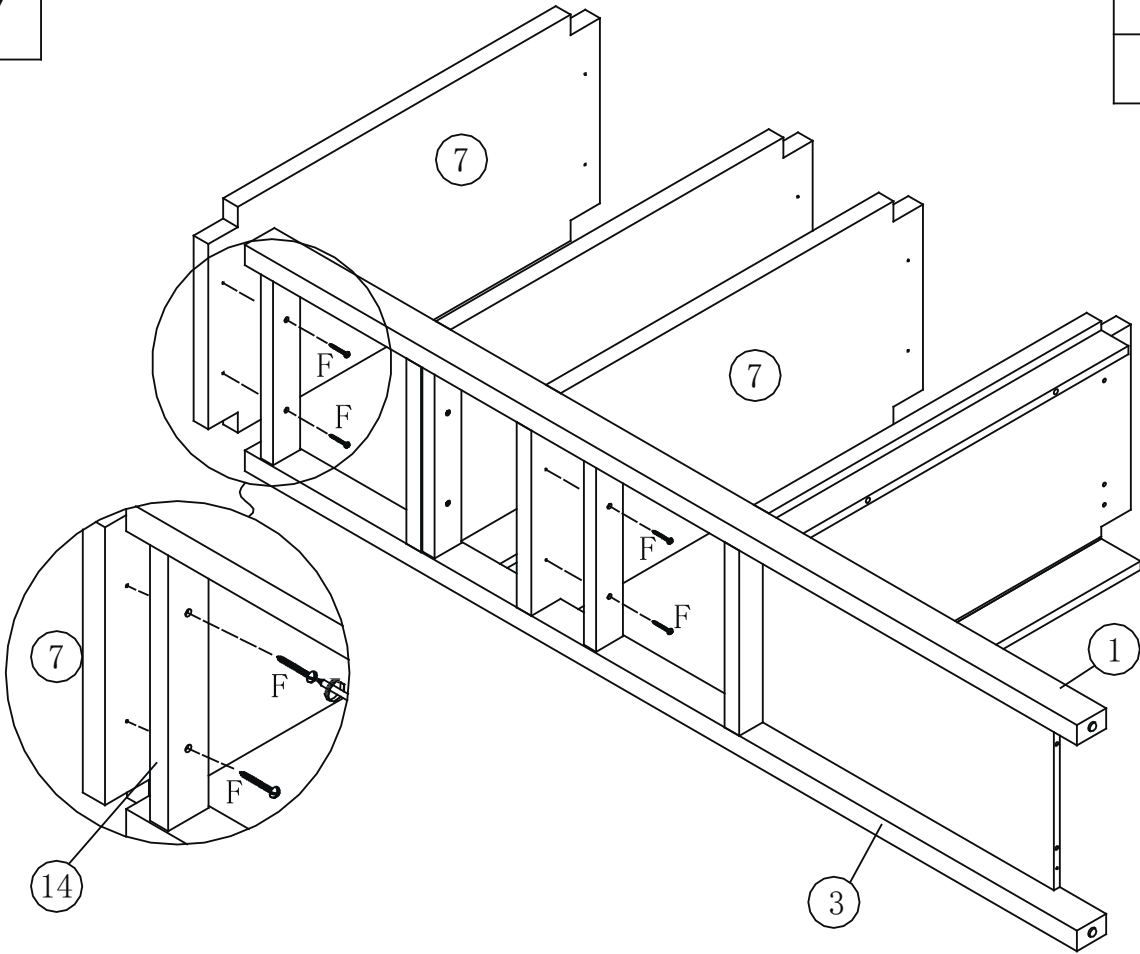
Fx2



7

YOU WILL NEED

Fx4



8

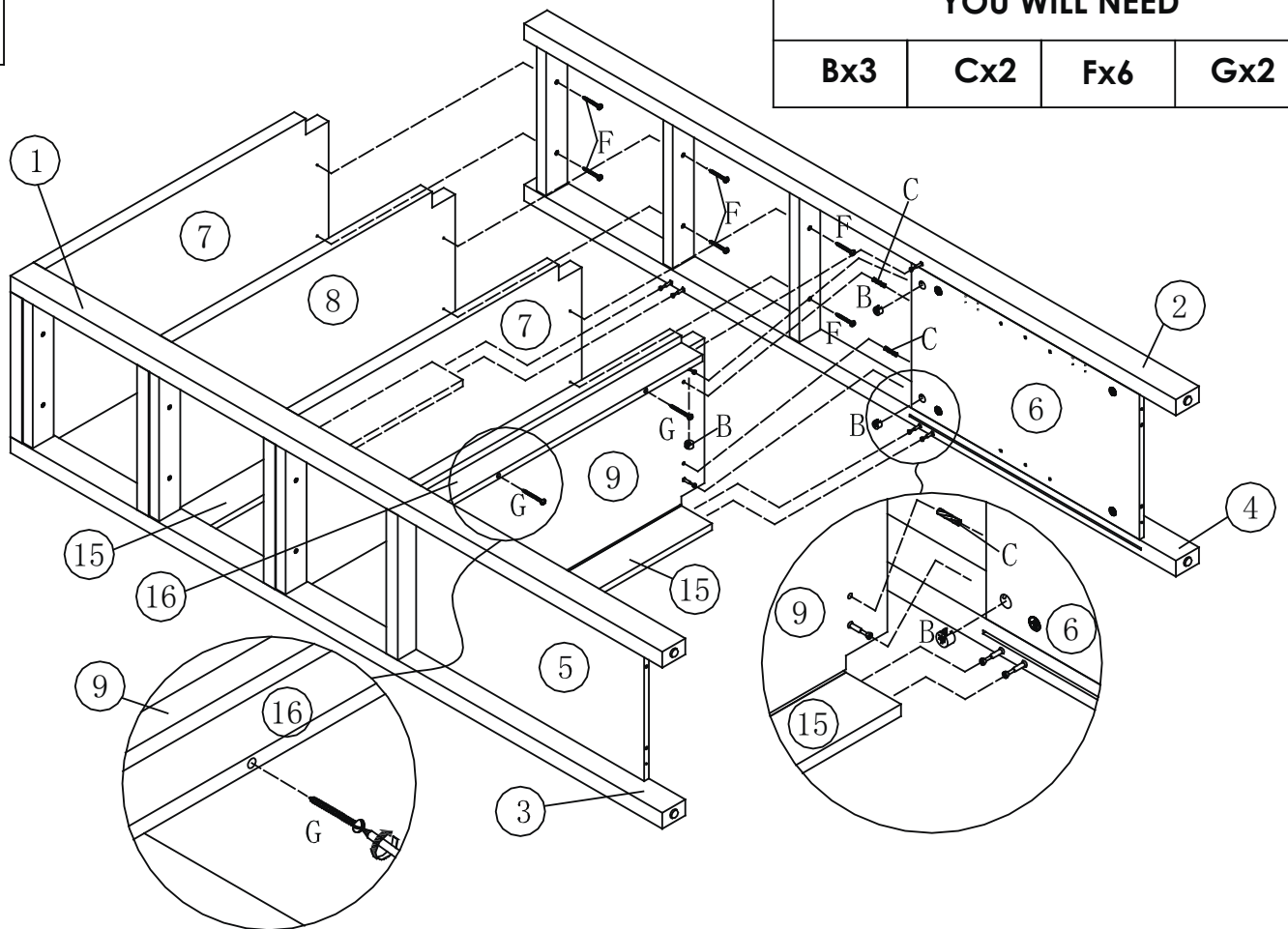
YOU WILL NEED

Bx3

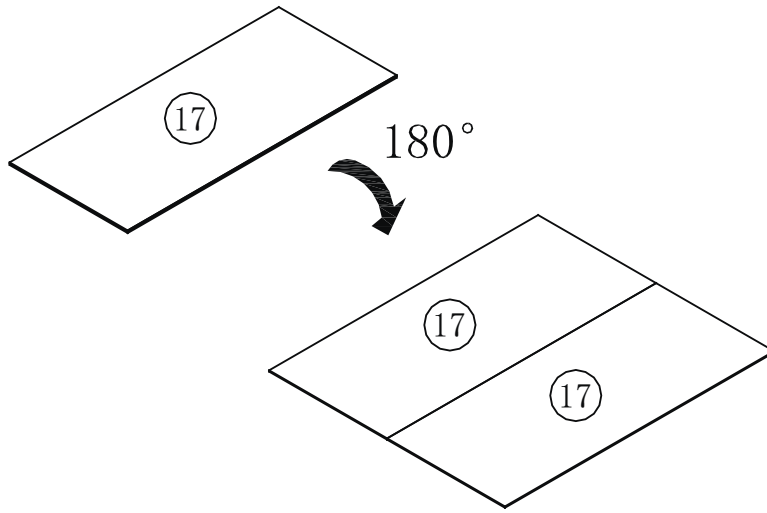
Cx2

Fx6

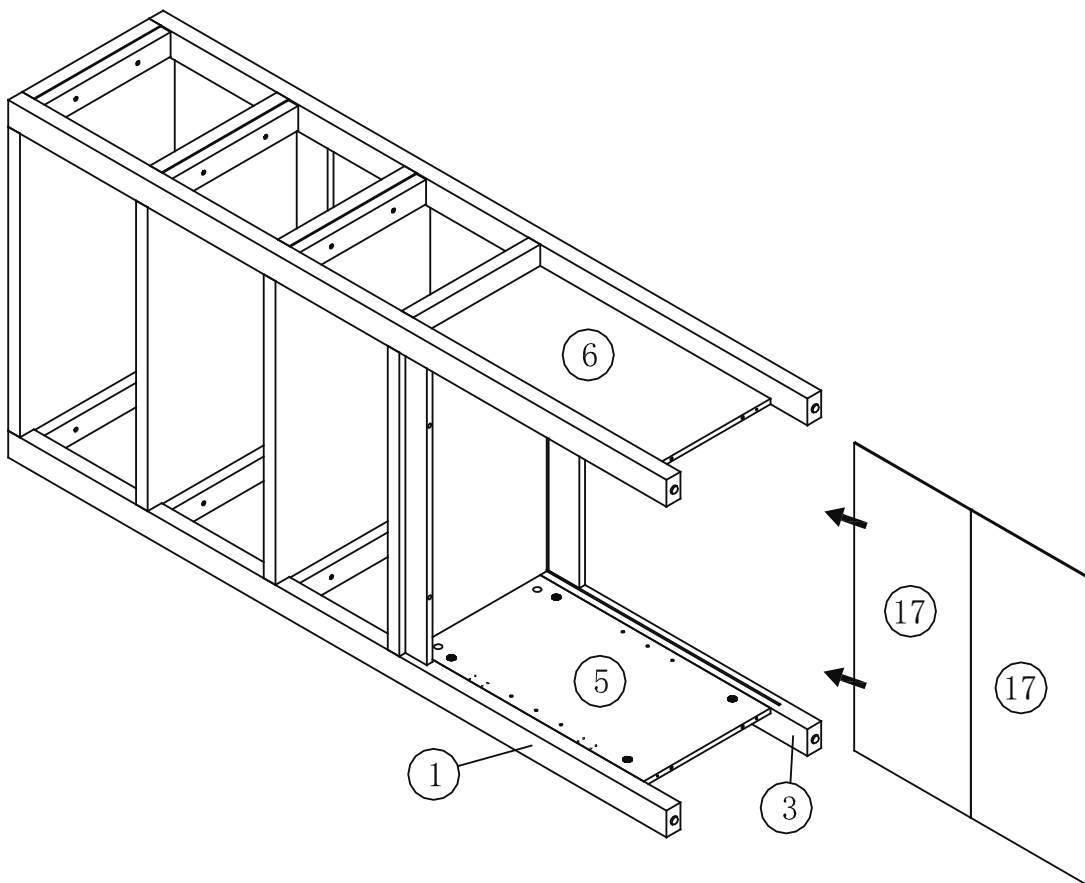
Gx2



9



10

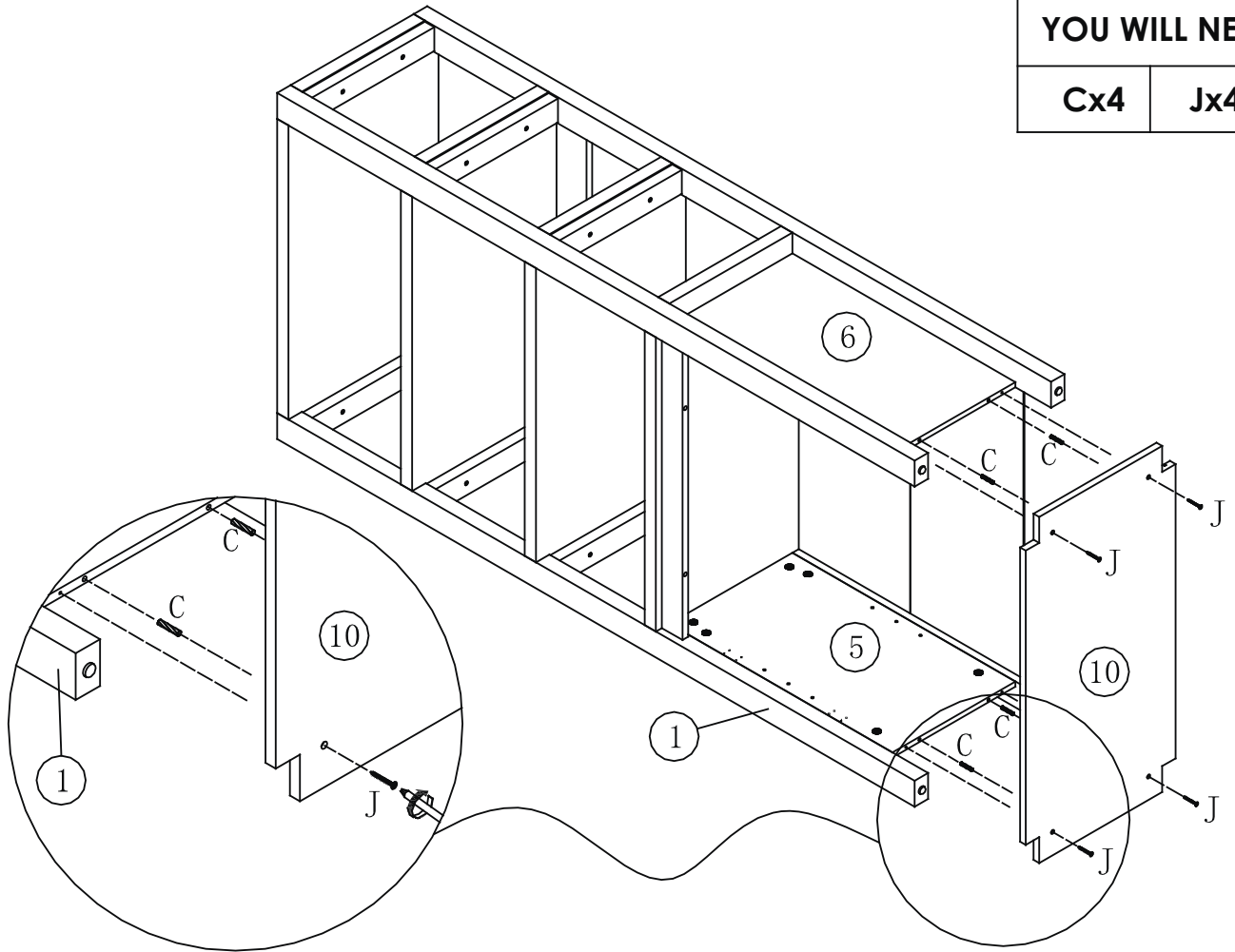


11

YOU WILL NEED

Cx4

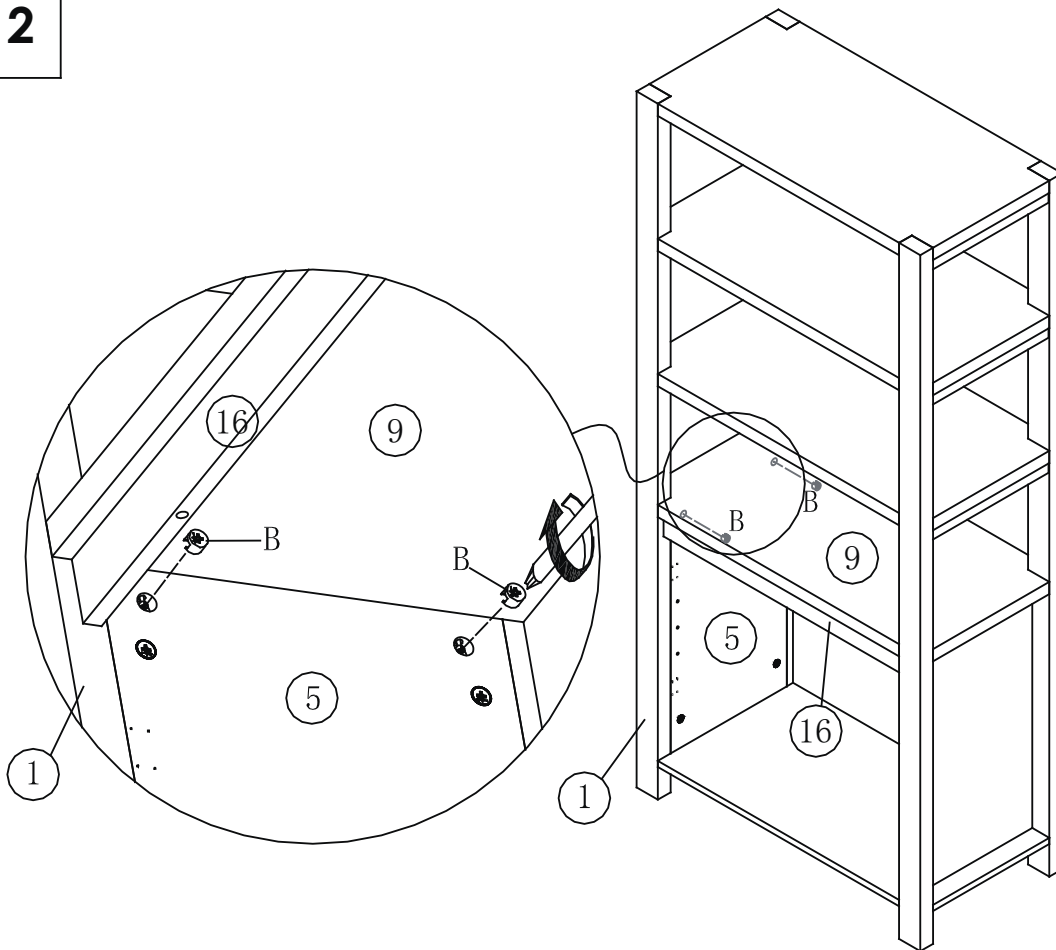
Jx4



12

YOU WILL NEED

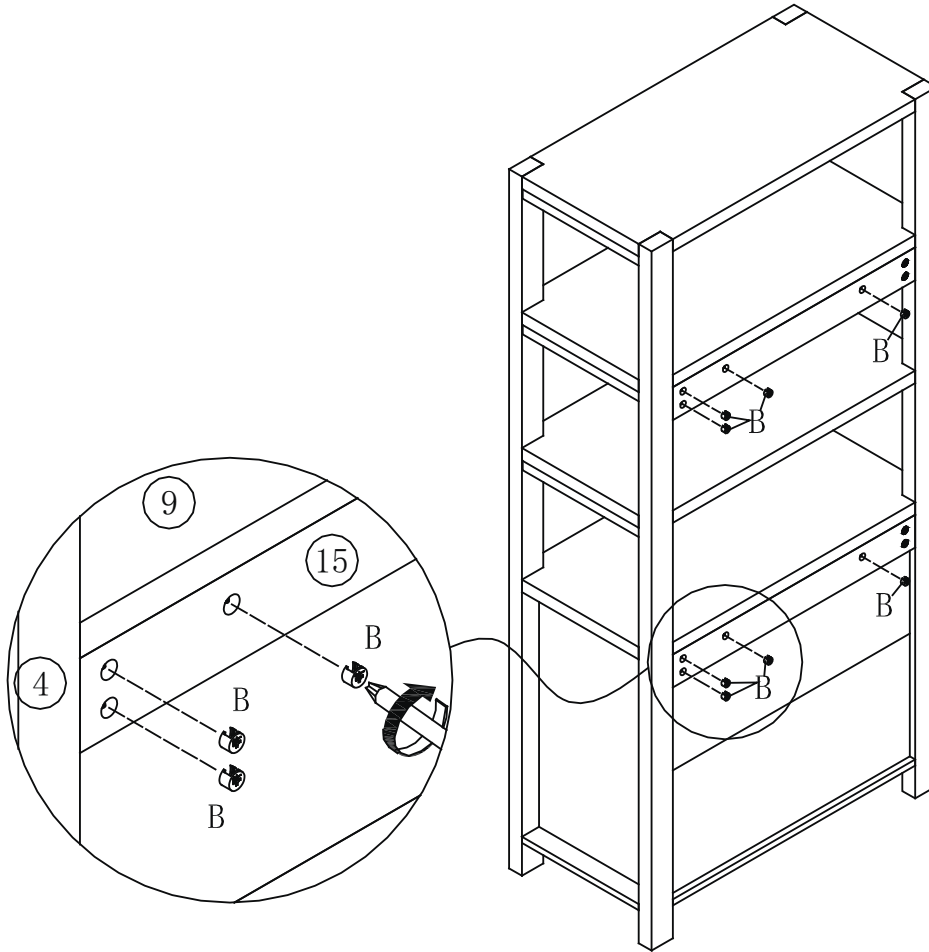
Bx2



13

YOU WILL NEED

Bx8

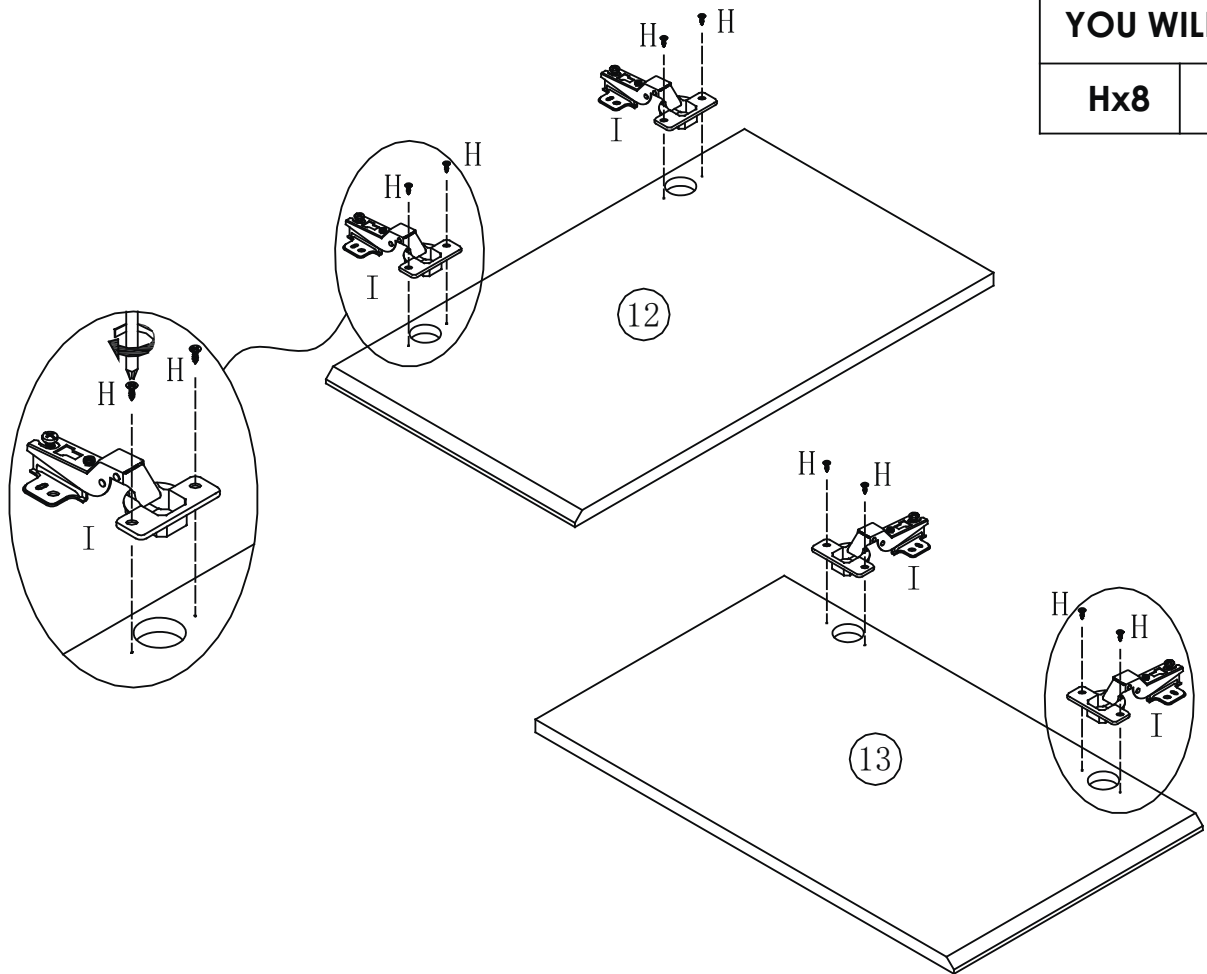


14

YOU WILL NEED

Hx8

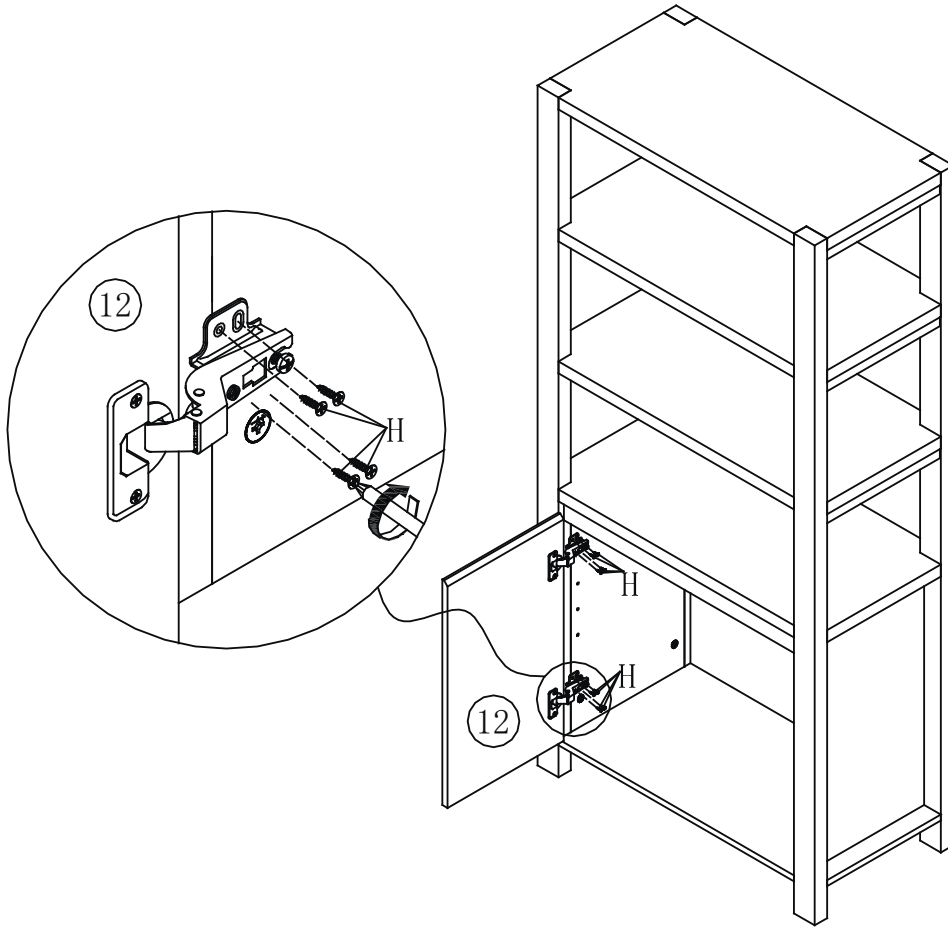
Ix4



15

YOU WILL NEED

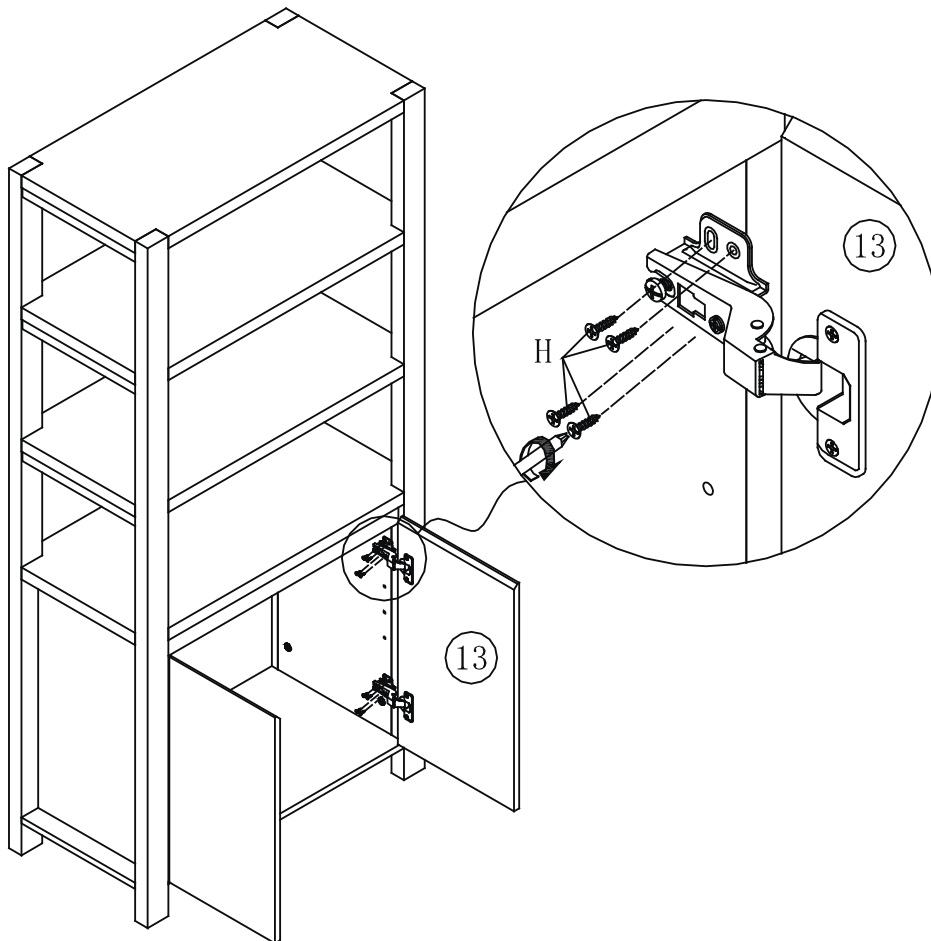
Hx8



16

YOU WILL NEED

Hx8



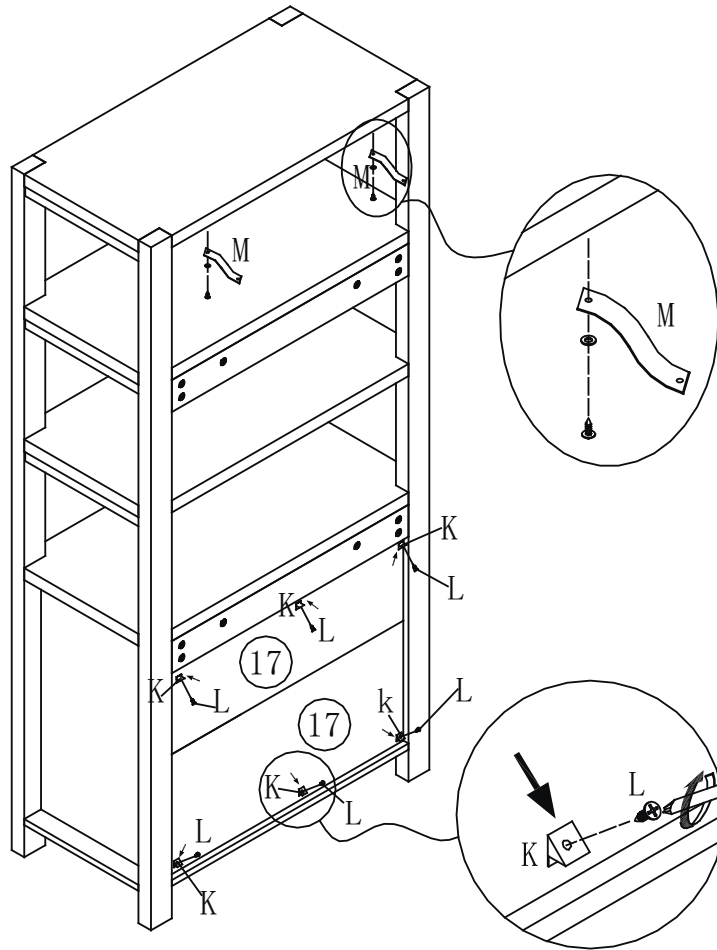
17

YOU WILL NEED

Kx6

Lx6

Mx2

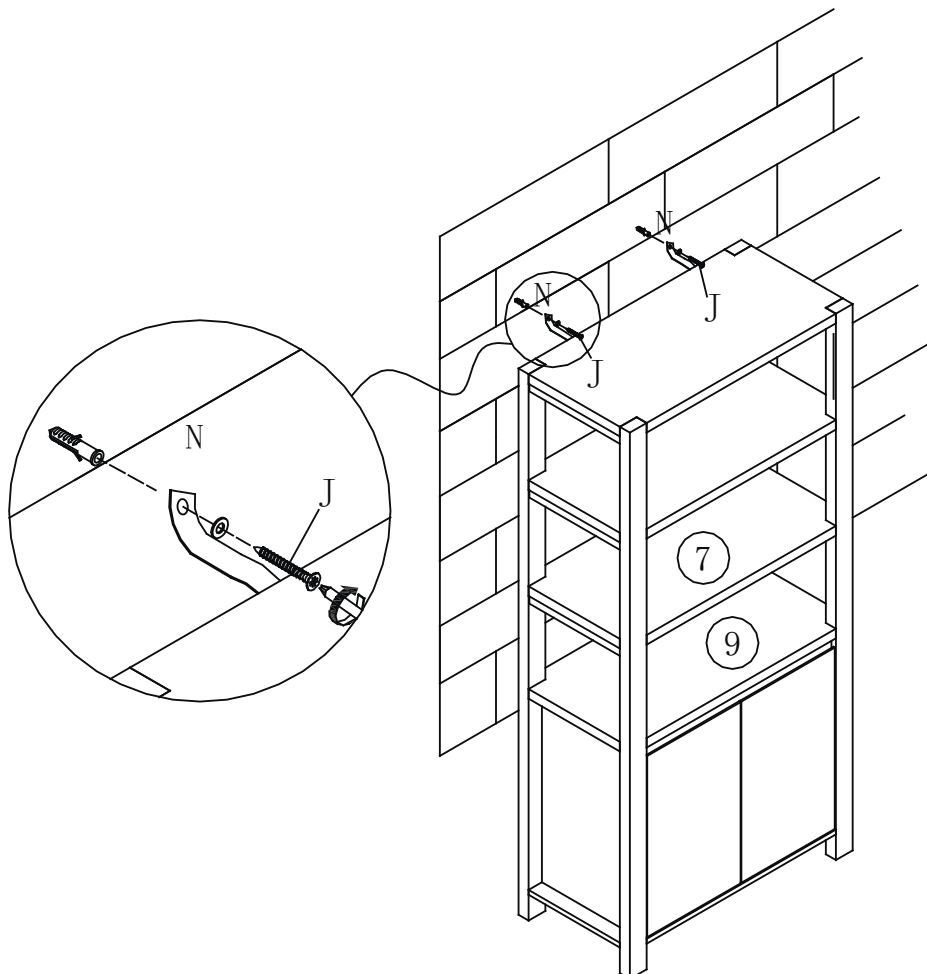


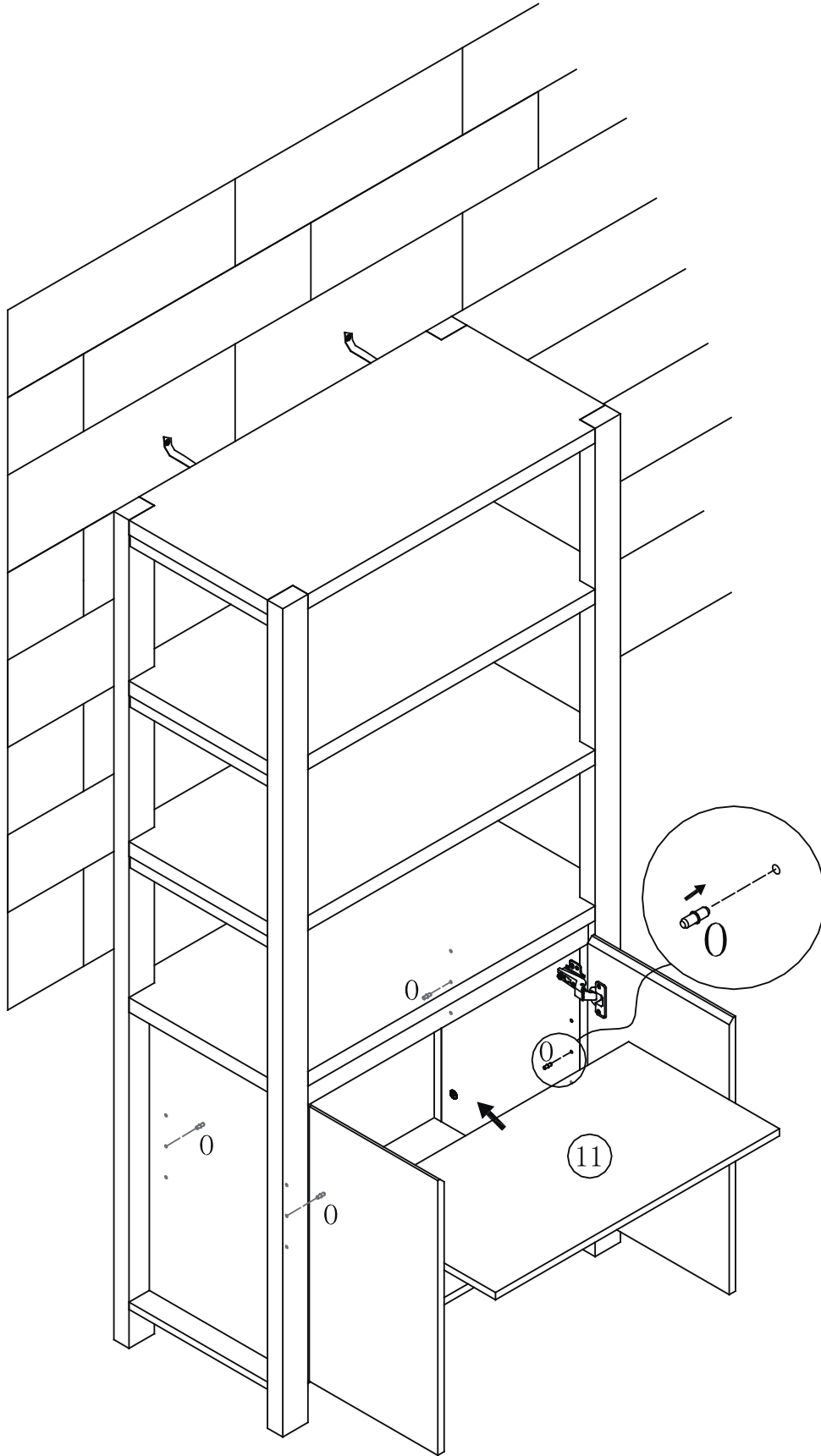
18

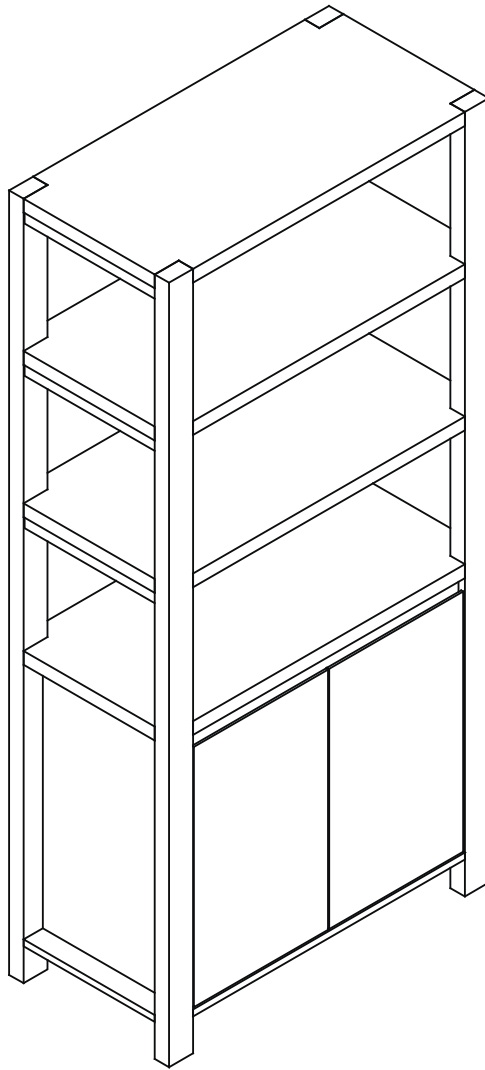
YOU WILL NEED

Nx2

Jx2







GUARANTEE

We offers a 90-days warranty that begins on the date of the original purchase and applies to problems caused by the manufacturer. For questions, assistance, or support, please contact the Customer Service by e-mail with your order number and details. We will send you further information about the solution.

Made in China

