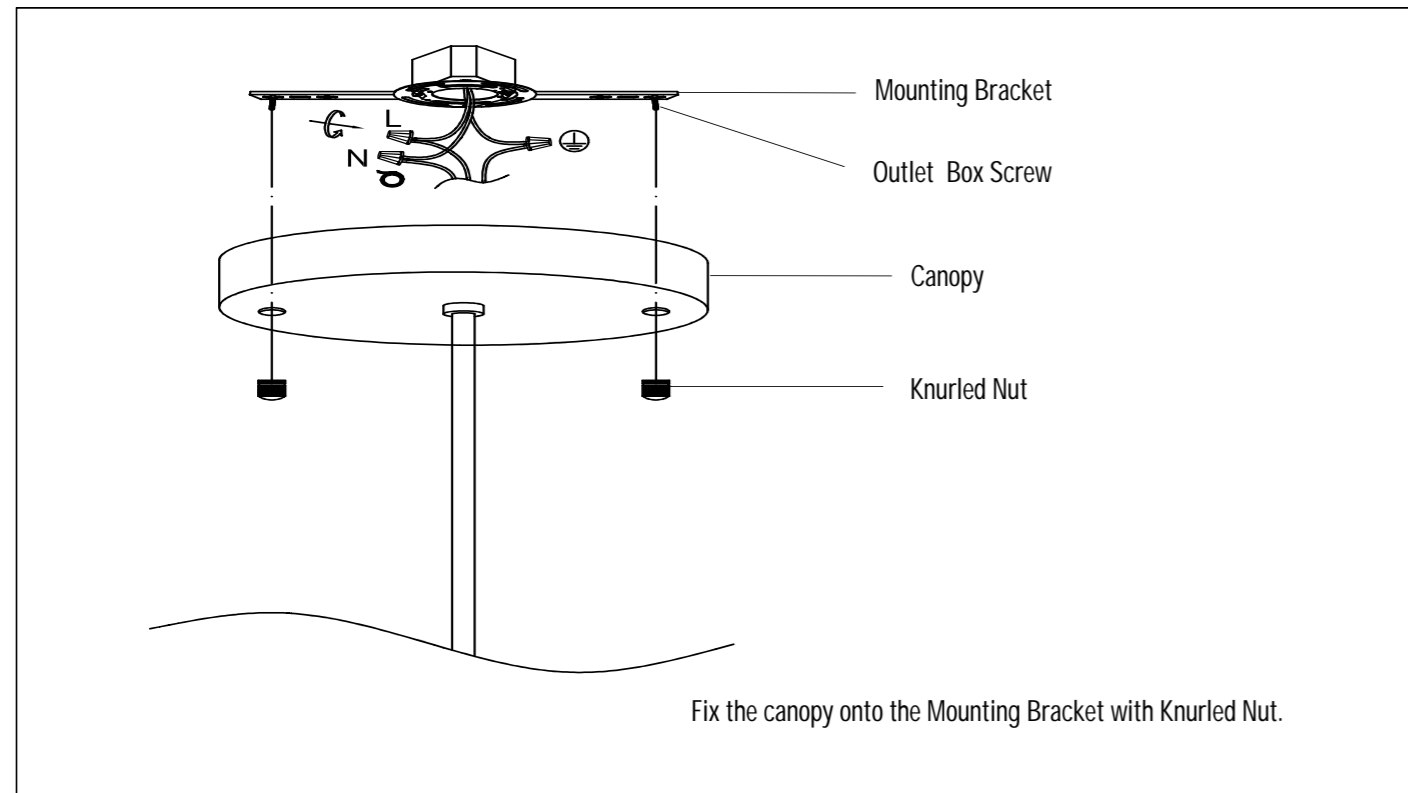
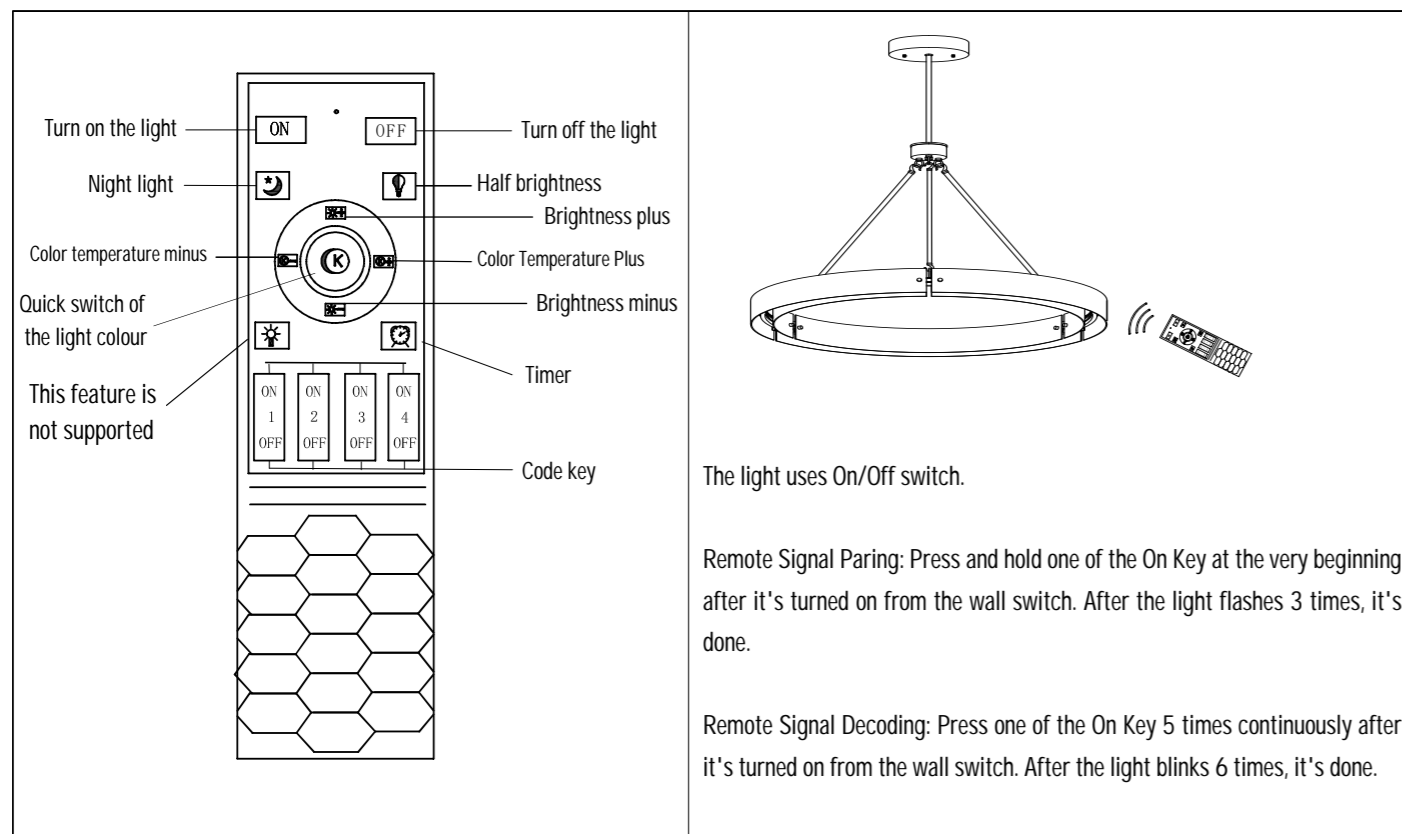


6. Fix the Canopy



6. Remote Instructions



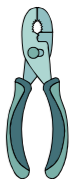
INSTALLATON MANUAL

CHANDELIER Model No.:QLP010BB-2A

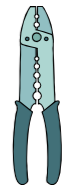
TOOLS REQUIRED



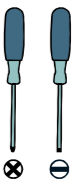
Ladder



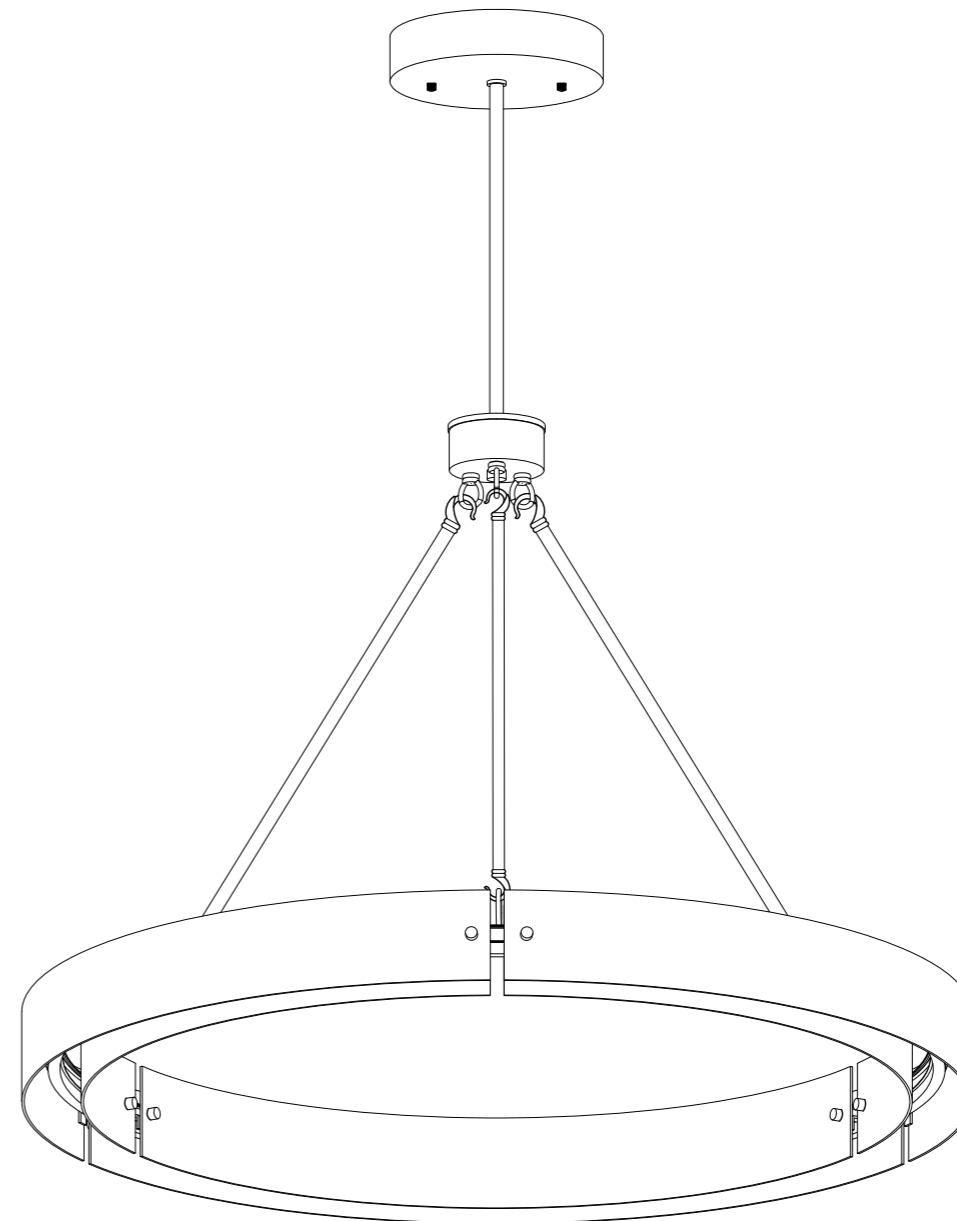
Pliers



Wire Strippers



Screwdrivers



1. Take out the Mounting Bracket 2. Install the Mounting Bracket

Labels: Mounting Bracket, Canopy, Knurled Nut, Plastic Anchor, Ground Screw, Long Wood Screw, Outlet Box Screw.

Loosen the Knurled Nut from canopy, take out the Mounting Bracket.

Step 1: Mark and drill screw holes on the ceiling, then insert the Plastic Anchors.
Step 2: Use Outlet Box Screw to fix the Mounting Bracket to the outlet box, and then tighten it with Flat Washer and Long Wood Screw.

4. Install the Lamp Stand and Hanging Rod

Labels: Lamp Stand, Hanging Rod*3, Lamp Body.

Hang the hanging rods on the Lamp Stand and on the Lamp Body as shown in the illustration.

3. Install the Lamp Body

Labels: Canopy, Centre Pole, Lamp Stand, Lamp Body.

Step 1: Lock the Centre Pole on the top of the Lamp Stand.
Step 2: Pass the Main Wire through the Canopy and lock it into the Centre Pole.

5. Connect the Wires

Labels: L, N, GND.

Step 1: Wrap the ground wire from the outlet box around the Ground Screw on the Mounting Bracket, and then connect the ground wire from the fixture to the ground wire from the outlet box.
Step 2: Connect the wires from the fixture to the house supply wires, neutral wire (white) to neutral wire, and hot wire (black) to hot wire.
Step 3: Spread apart the wires so that the hot wires are on one side of the outlet box and the neutral wires are on the other.