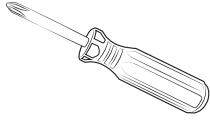


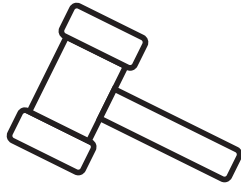
USER MANUAL

▼
Model: JY-240415

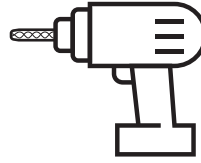
TOOLS REQUIRED



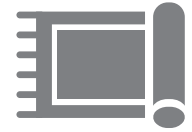
Phillips screwdriver
(Not included)



Hammer
(Not included)



Drill
(Not included)



Protective blanket
(Not included)



ATTENTION

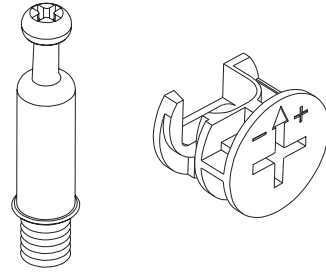
Keep children and pets away while assembling.



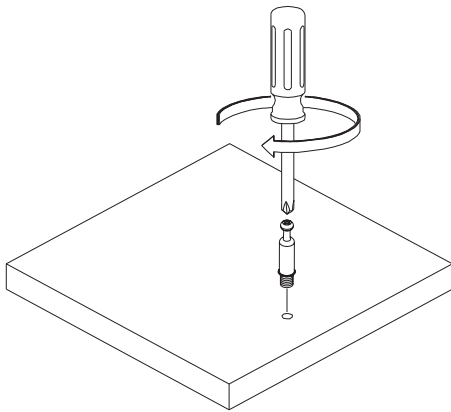
How to use cam locks

CAM LOCK FASTENING SYSTEM

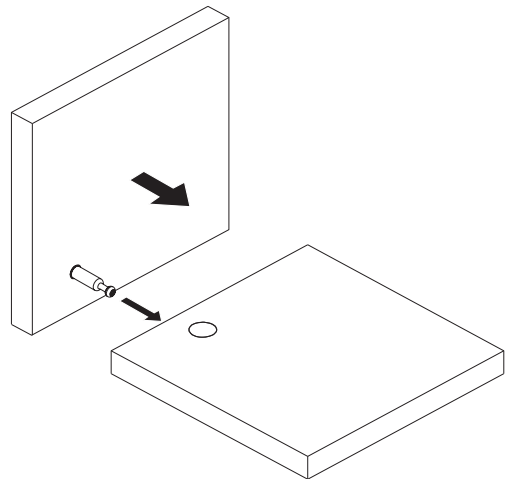
This Cam Lock Fastening System will be used throughout the assembly process.



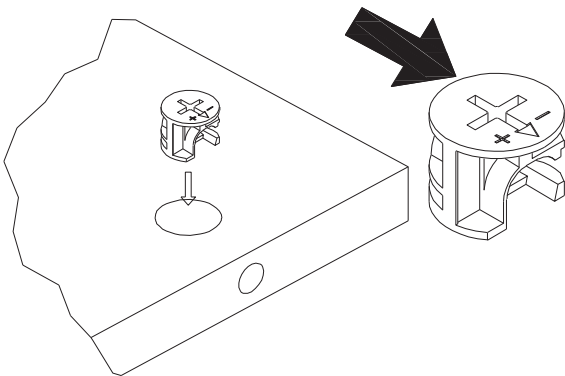
1



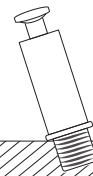
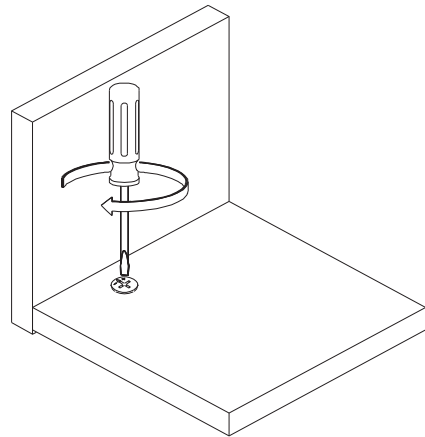
2



3



4



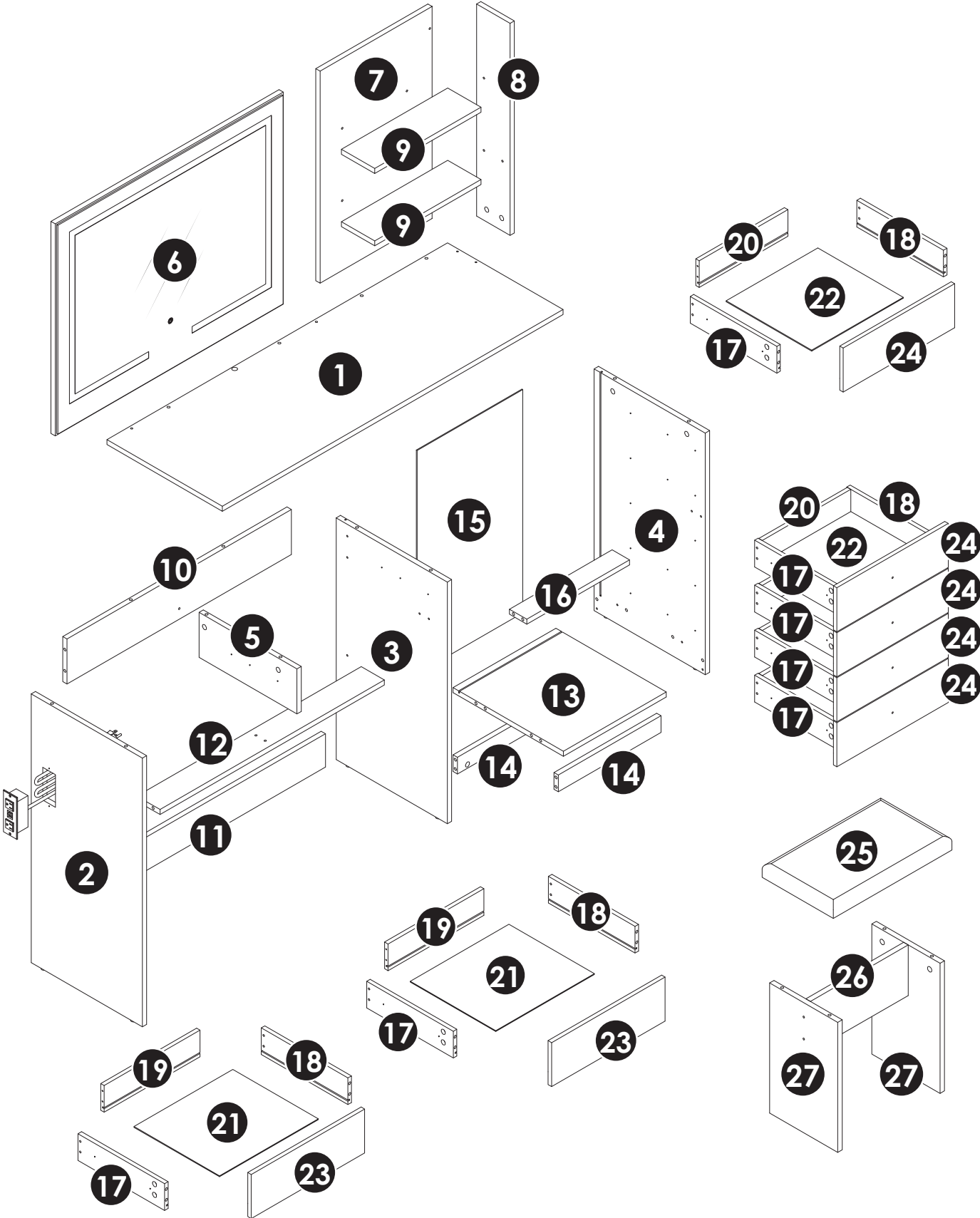
INTRODUCTION

Thank you very much for choosing our Makeup Vanity. Please read the instruction carefully before assembly and keep it for future reference. If you need further assistance on assembly, please contact our customer service through email.





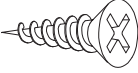
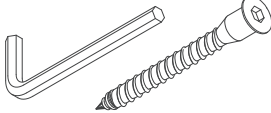
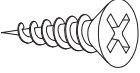
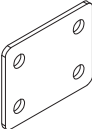
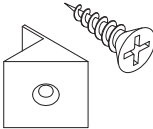
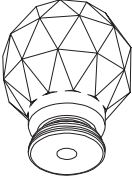


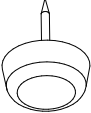
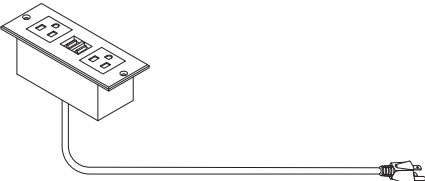

Tips

1. When installing the product, use a soft underlay (such as carpet or cardboard) to avoid scratching or damaging the surface of the product.
2. Don't tighten screws completely at first, just in case parts were assembled wrong and need disassemble. Tighten screws at last when all parts are put together.
3. The structure of this product can not meet the requirements of the placement of heavy items and children climbing.

PLATE NUMBER



HARDWARES LIST

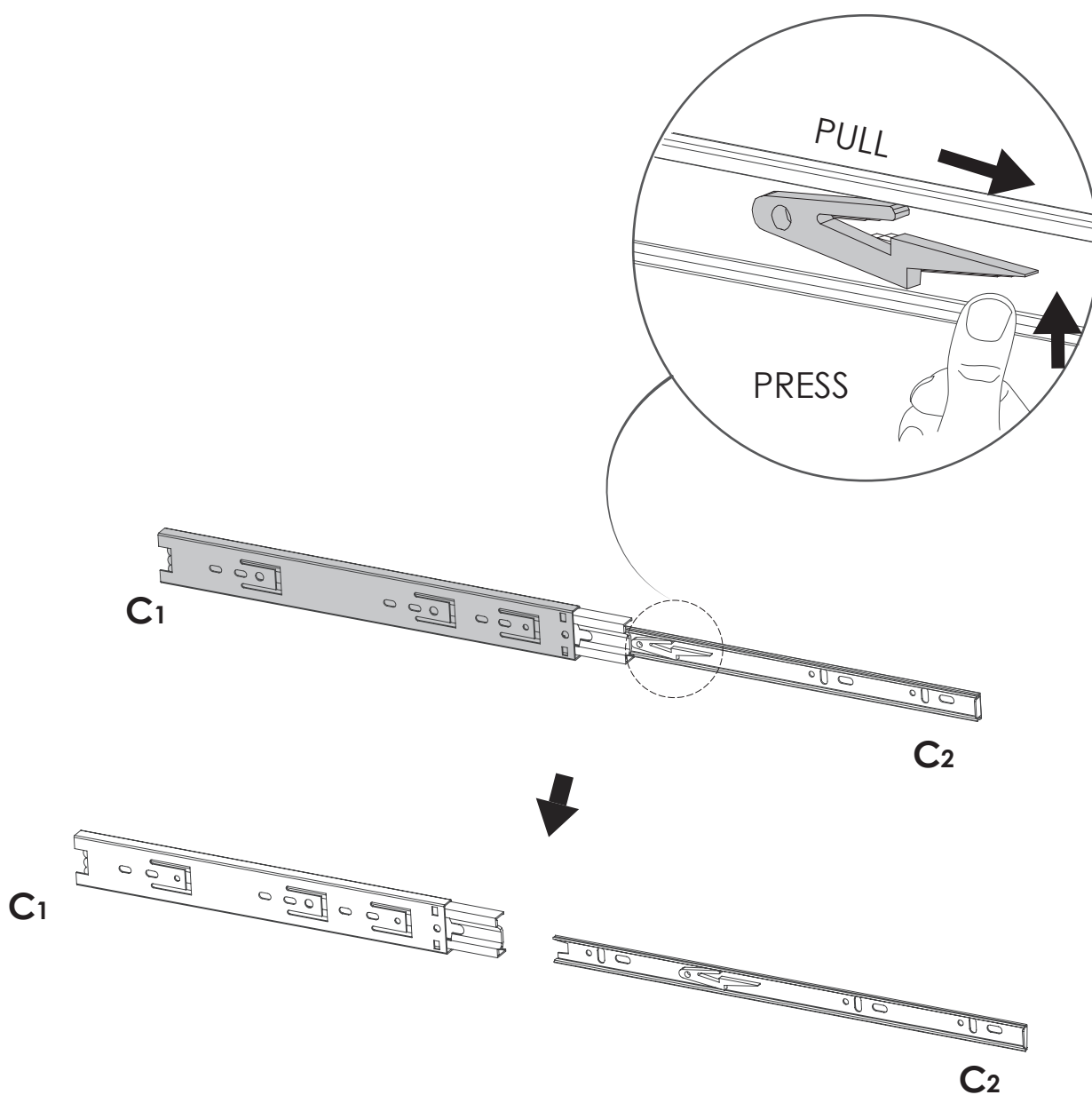
<p>A x74</p>  <p>M6*35mm</p>	<p>B x74</p>  <p>Ø15*10mm</p>	<p>C C₁ + C₂ x14</p> 	
<p>D x4</p>  <p>Ø8*40mm</p>	<p>E x60</p>  <p>M3.5*14mm</p>	<p>F x46/x1</p>  <p>M5*40mm/#3</p>	<p>G x42</p>  <p>M3.5*12mm</p>
<p>H x3</p> 	<p>I x6</p> 	<p>J x7</p> 	<p>K x7</p>  <p>M4*16mm</p>
<p>L x32</p>  <p>Ø21*1mmmm</p>	<p>M x10</p>  <p>Ø12*5mm</p>	<p>N x1</p> 	
<p>O x1</p> 			

INSTALLATION INSTRUCTION

INSTALLATION STEPS

Press the plastic part in the indicated direction to separate drawer runner **C1** and **C2** before assembling.

REMARK: Please grip the **C1** part while sliding the **C2** part.



STEP 1

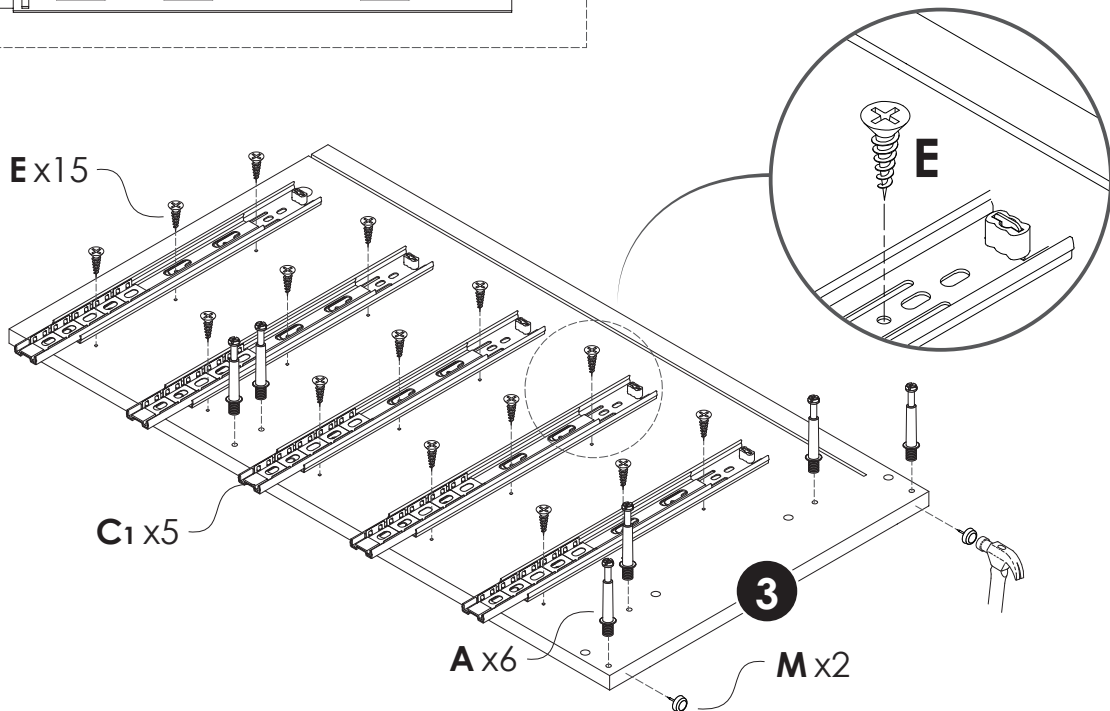
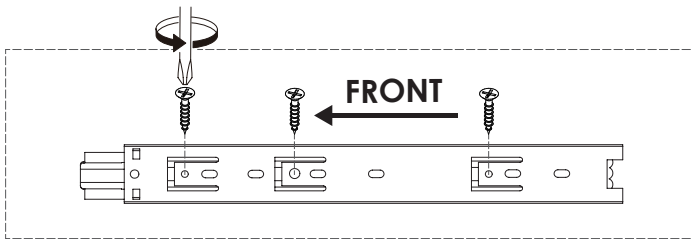
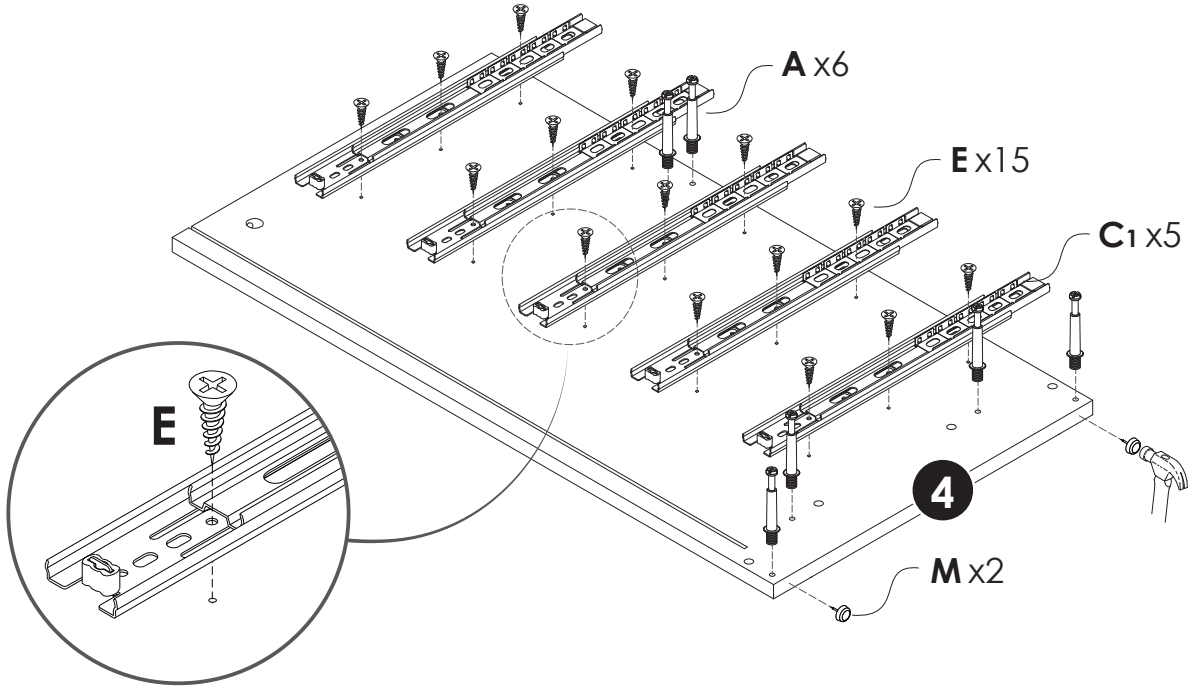
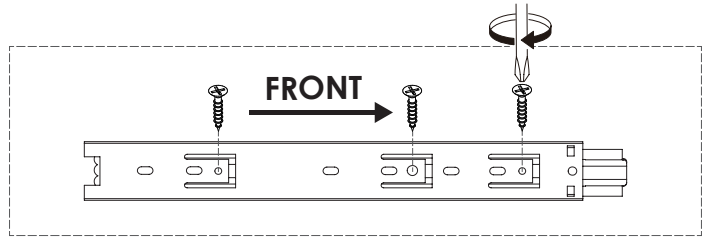
YOU WILL NEED

A x12

E x30

C1 x10

M x4



STEP 2

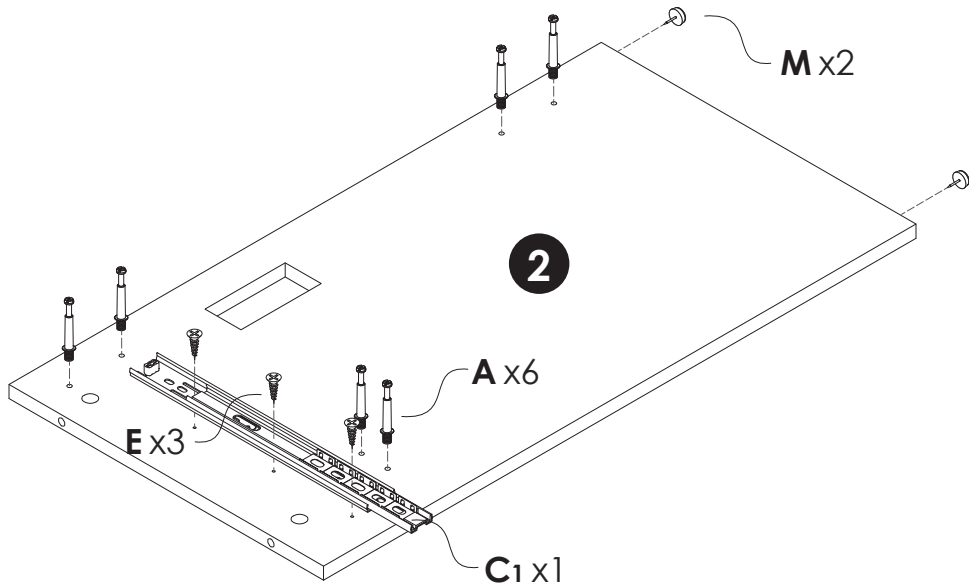
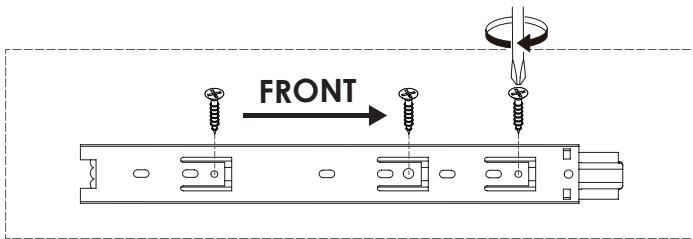
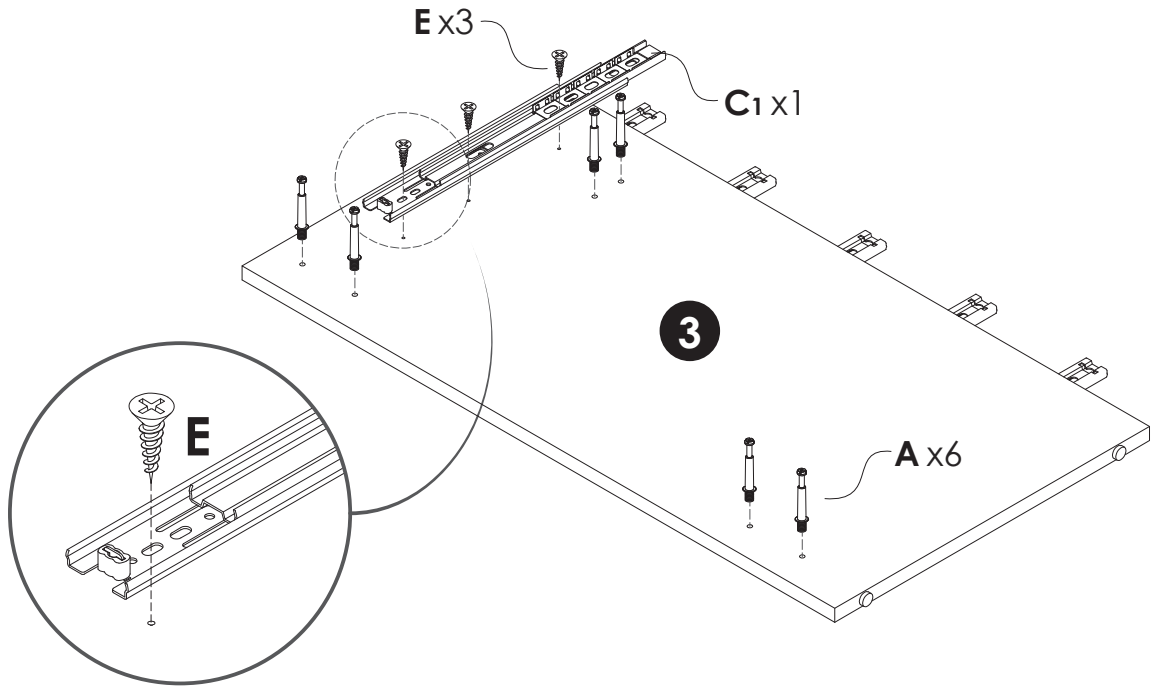
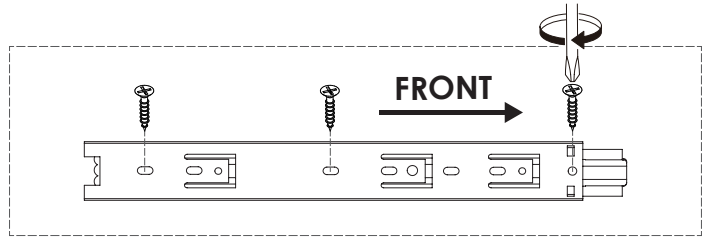
YOU WILL NEED

A x12

E x6

C1 x2

M x2

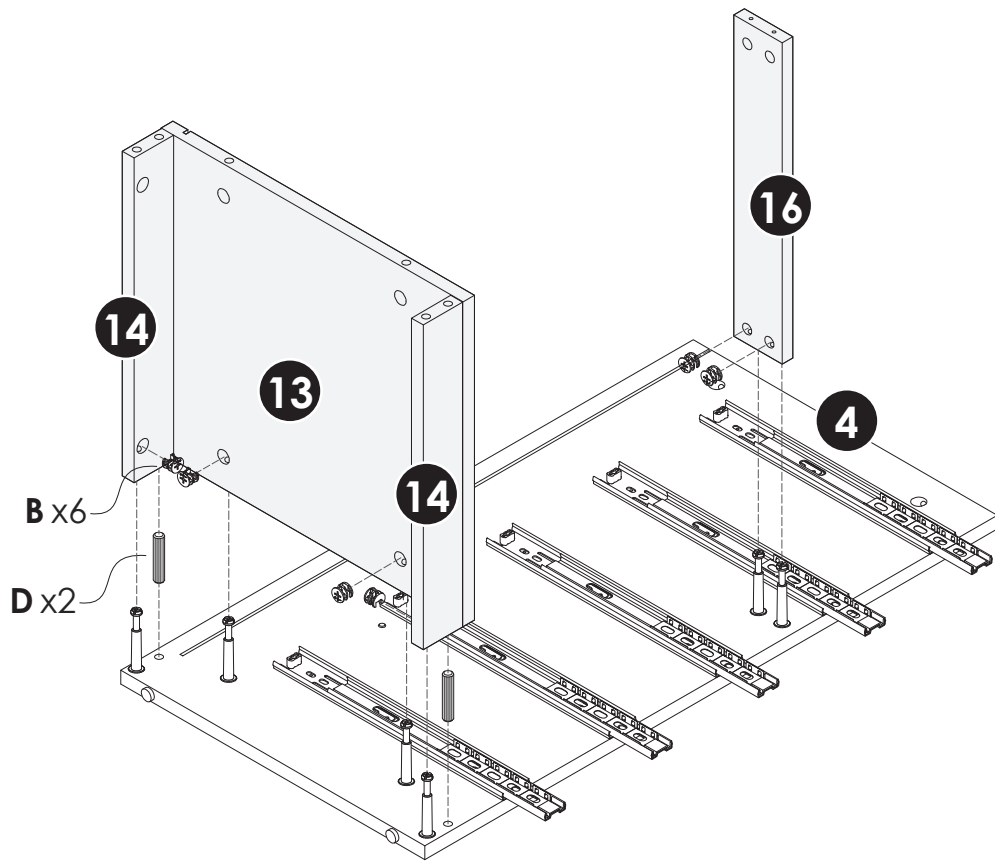


STEP **3**

YOU WILL NEED

B x6

D x2

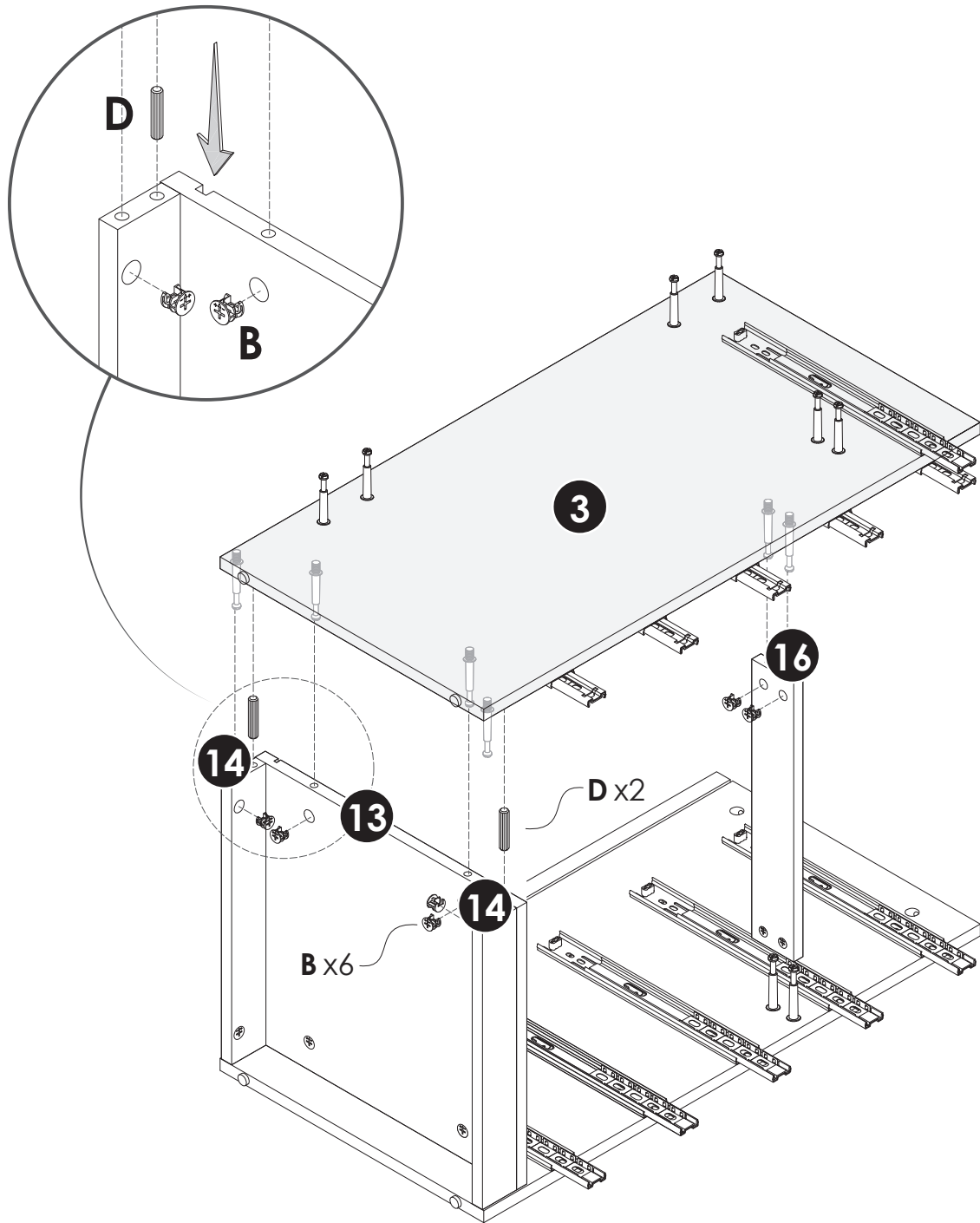


STEP 4

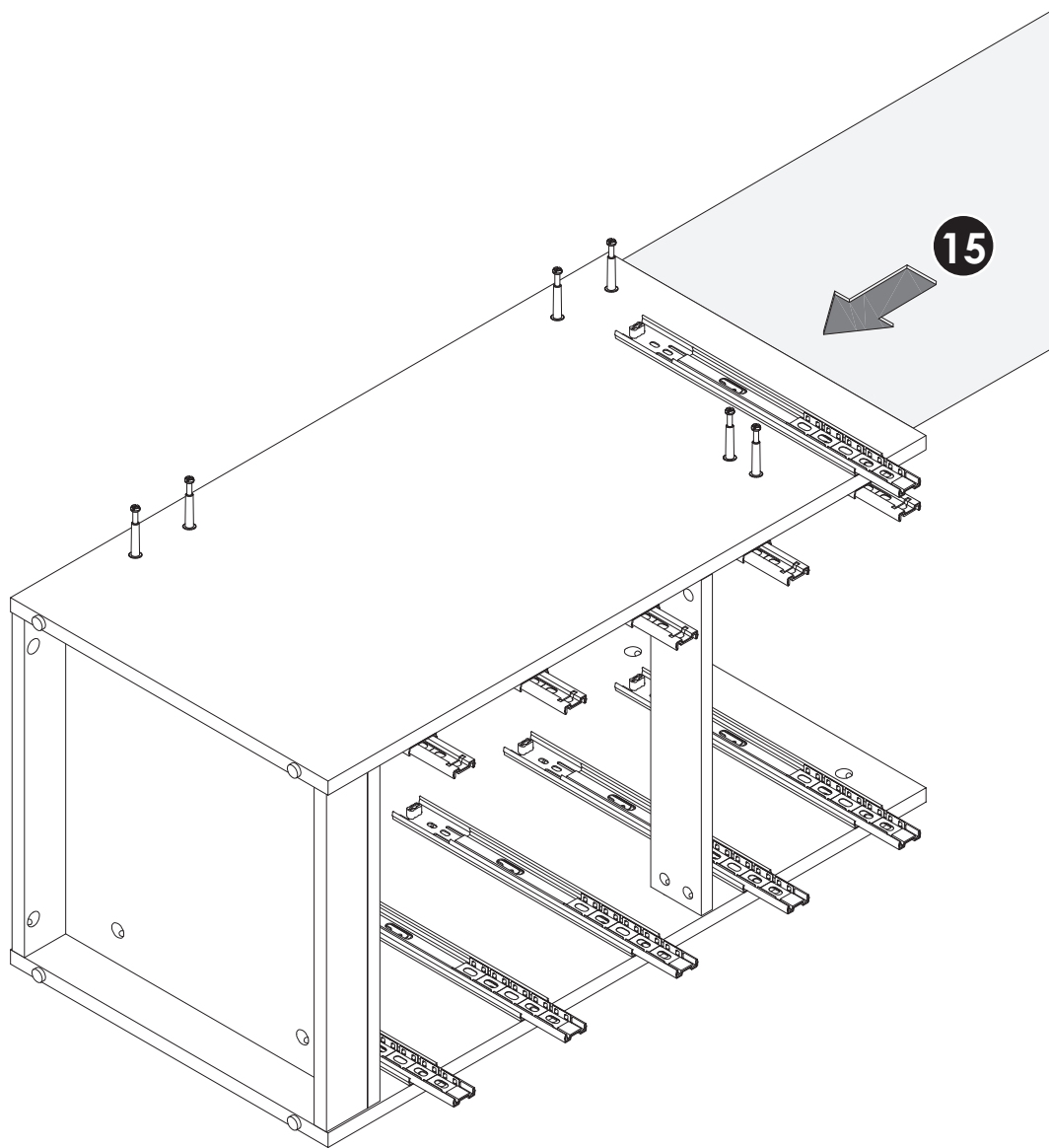
YOU WILL NEED

B x6

D x2



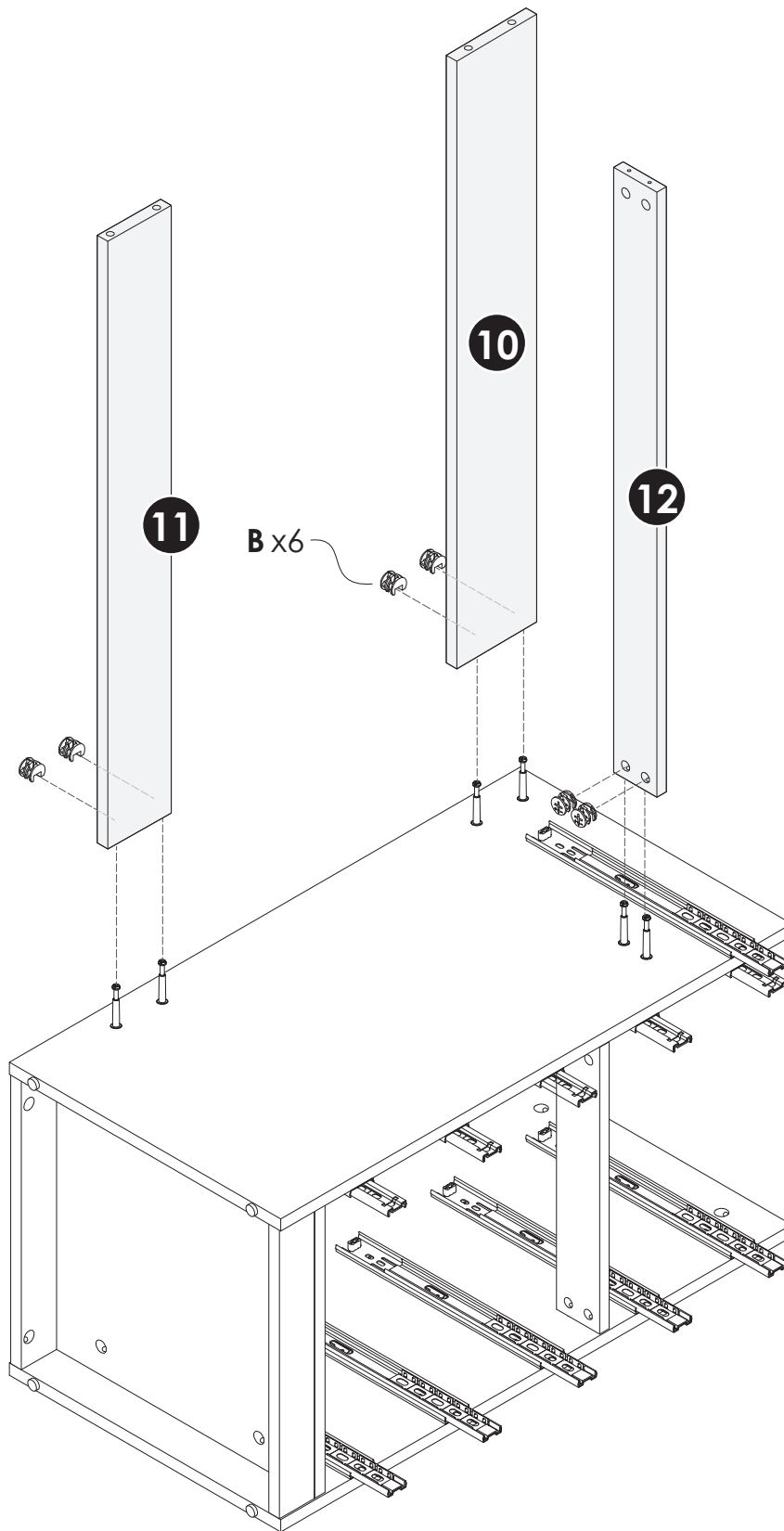
STEP 5



STEP 6

YOU WILL NEED

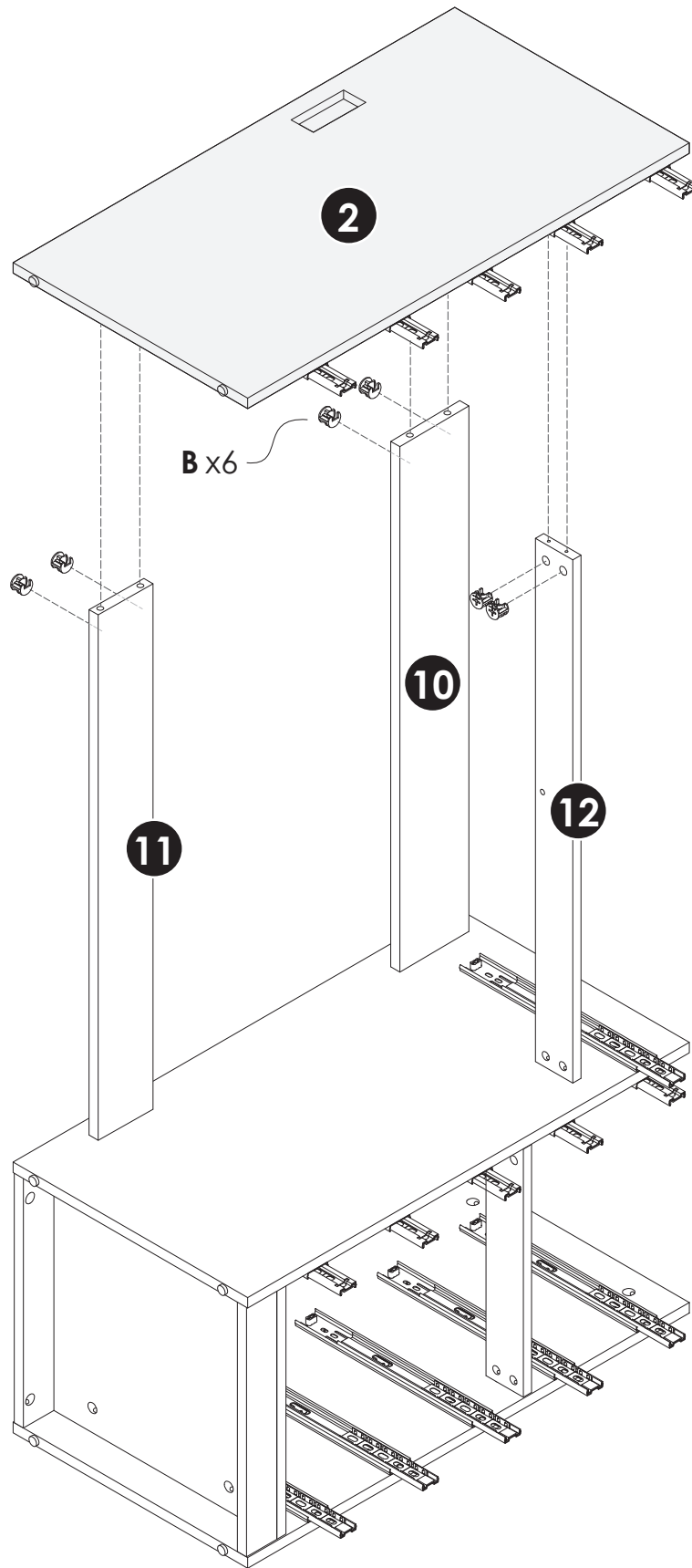
B x6



STEP 7

YOU WILL NEED

B x6

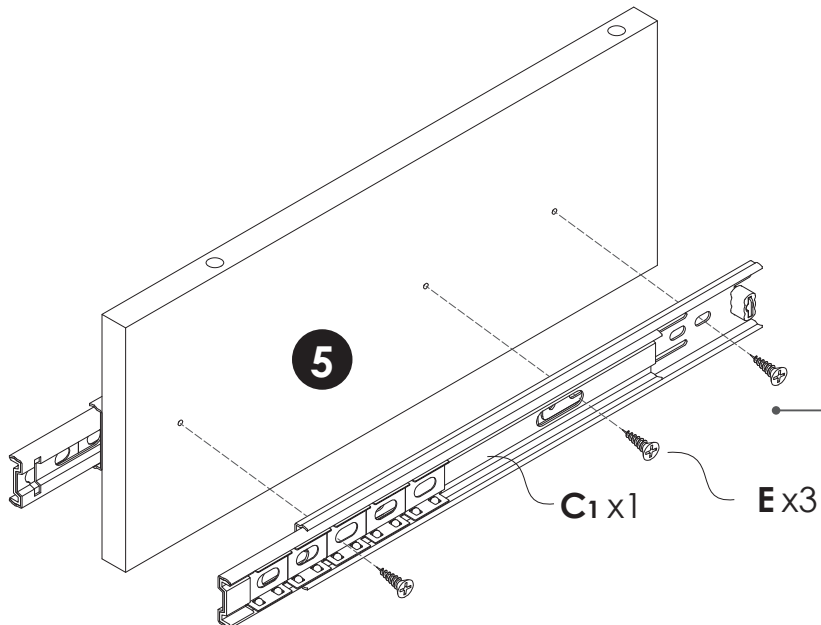
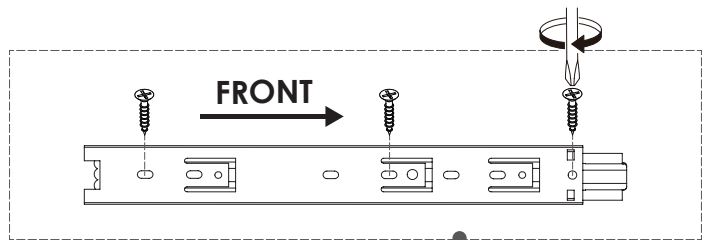
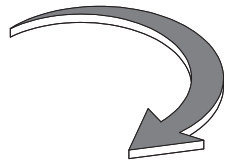
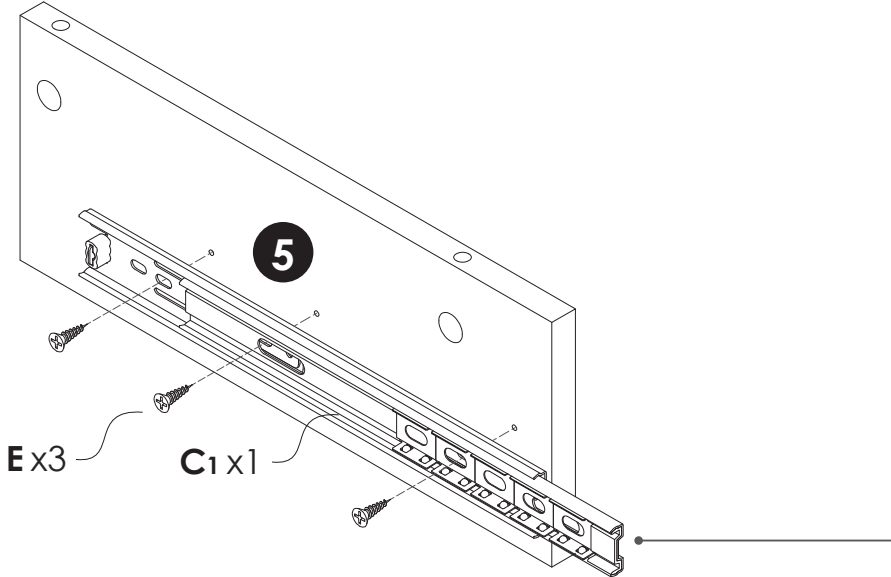
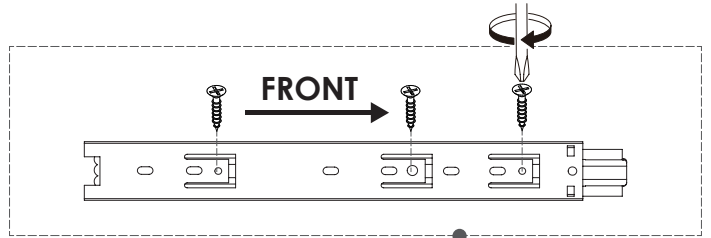


STEP 8

YOU WILL NEED

E x6

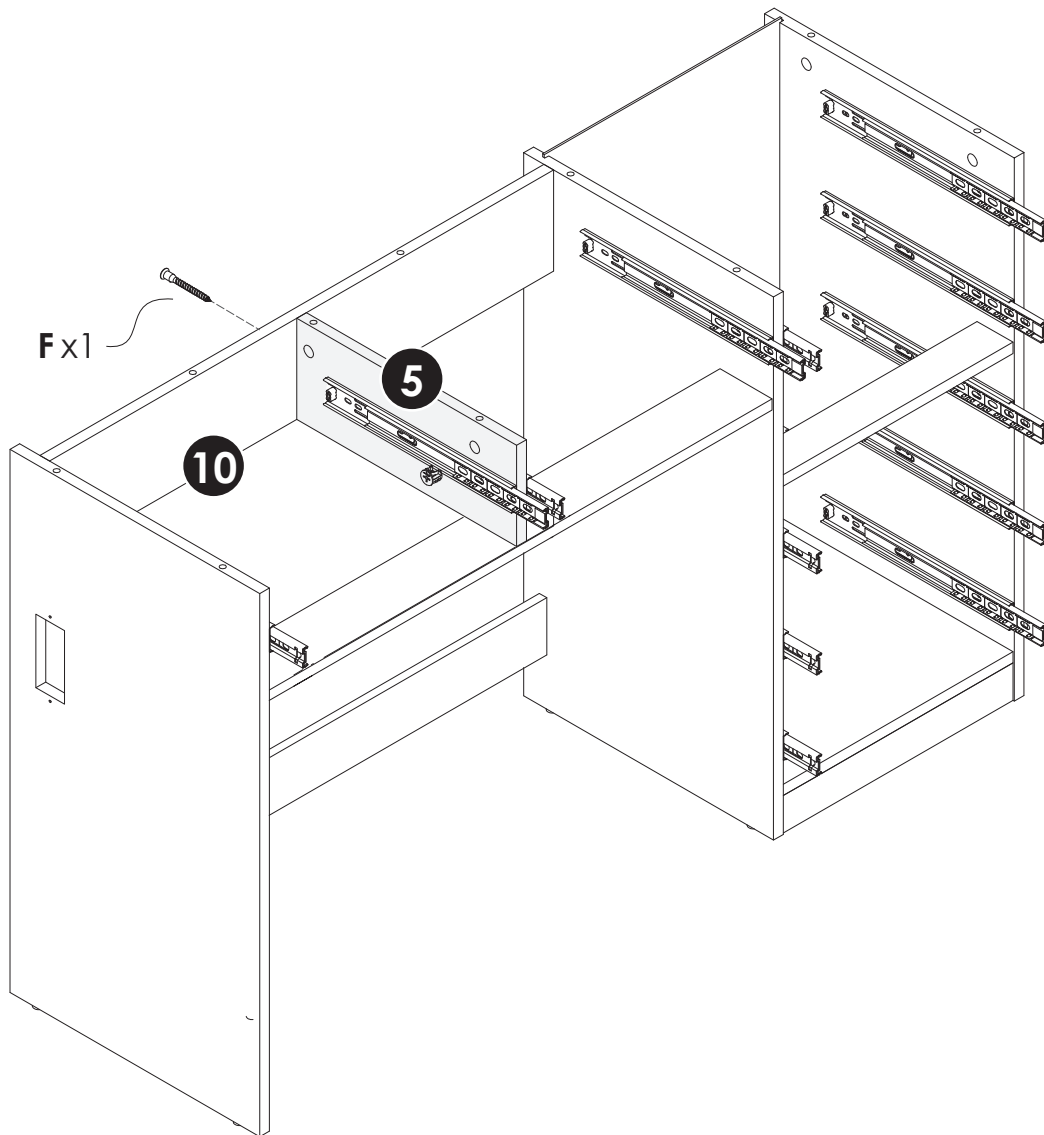
C1 x2



STEP 9

YOU WILL NEED

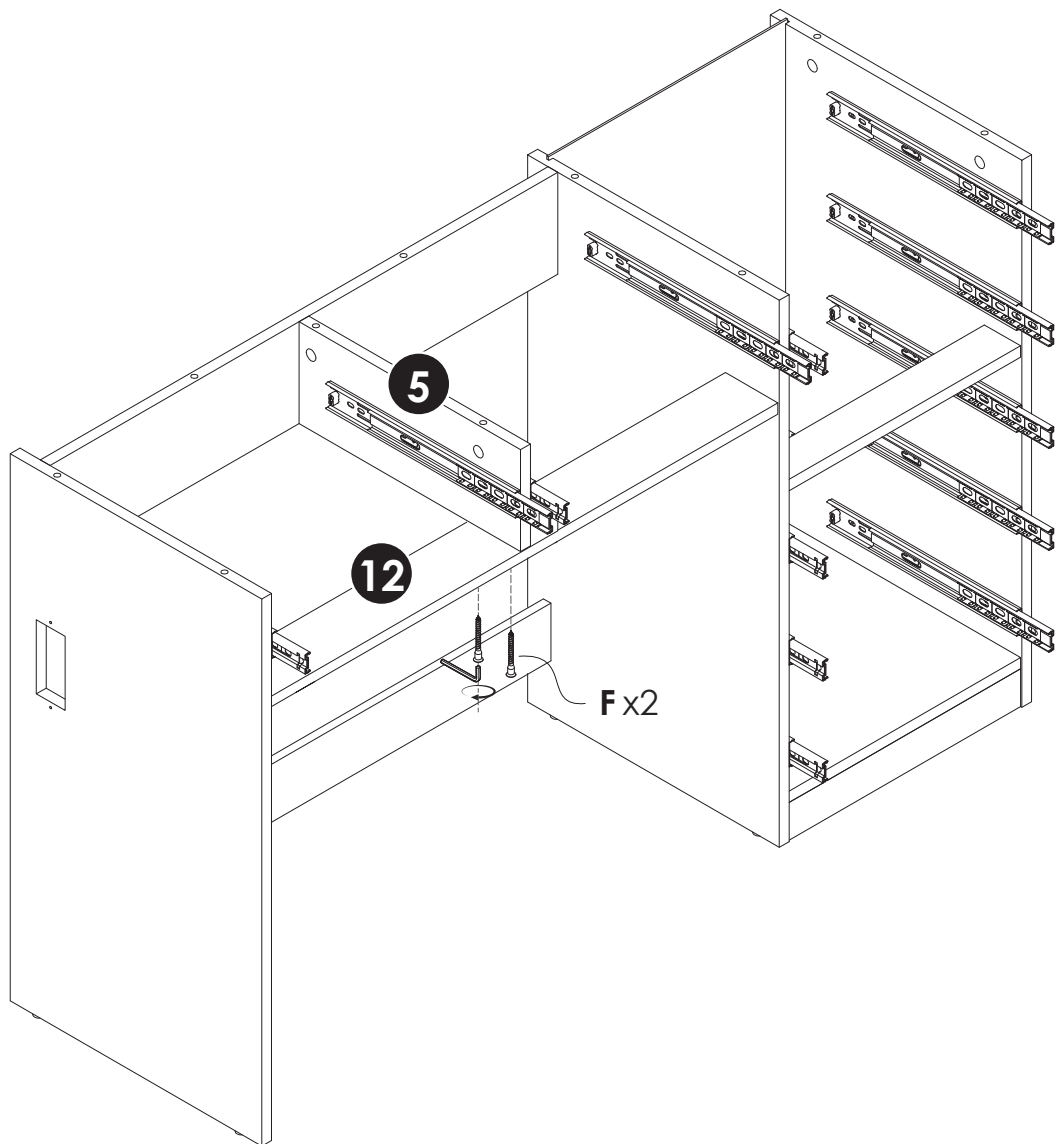
F x1



STEP **10**

YOU WILL NEED

F x2

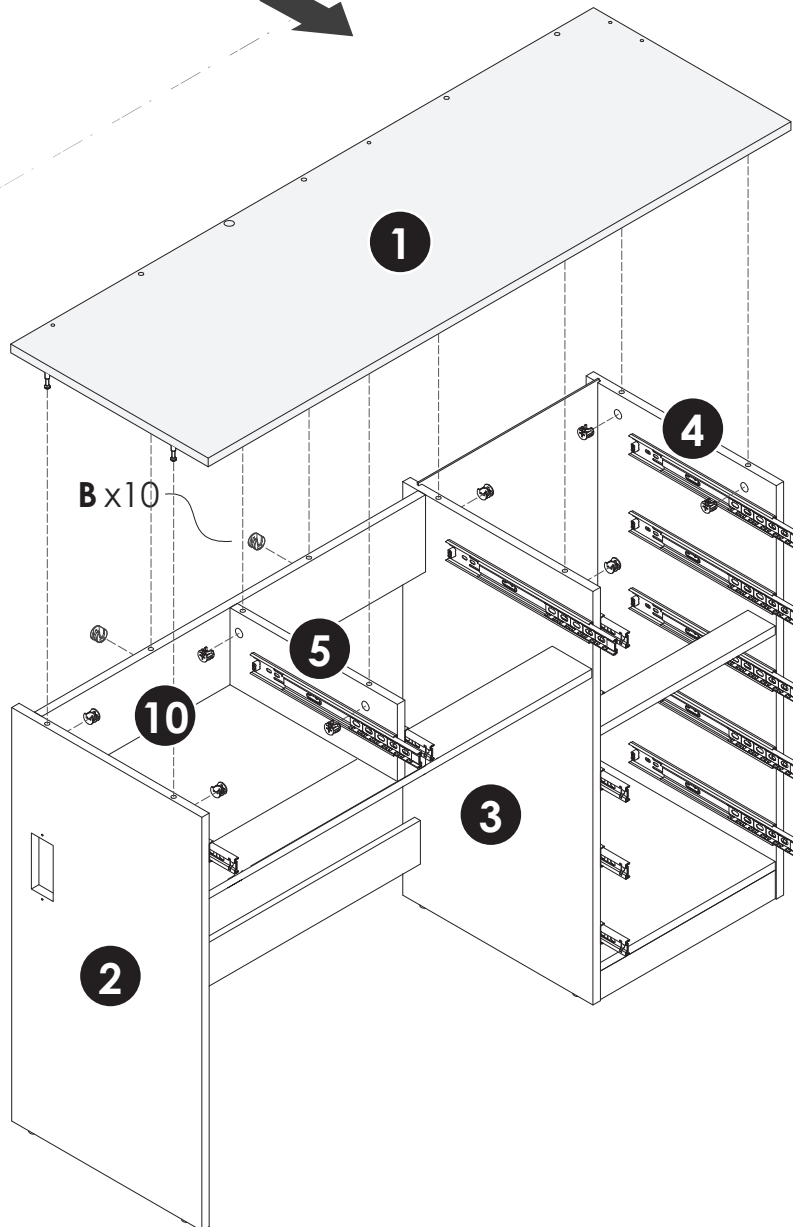
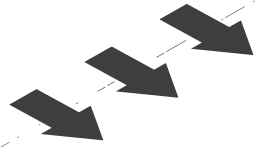
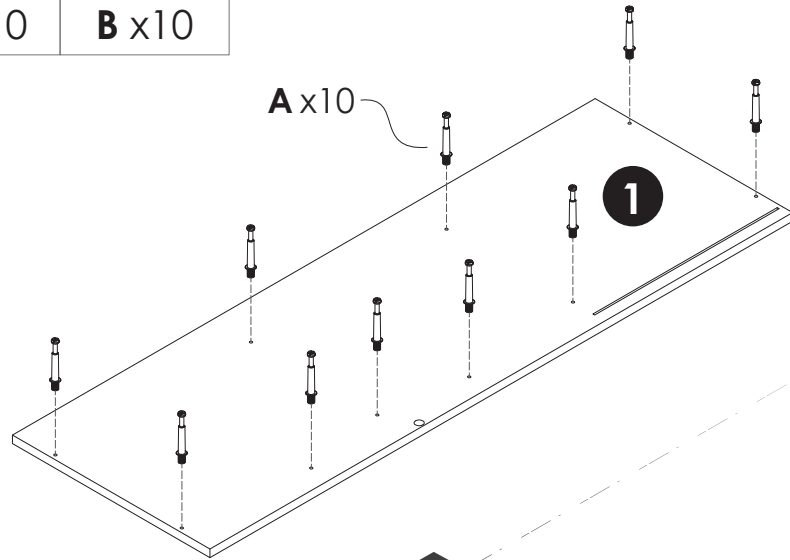


STEP **11**

YOU WILL NEED

A x10

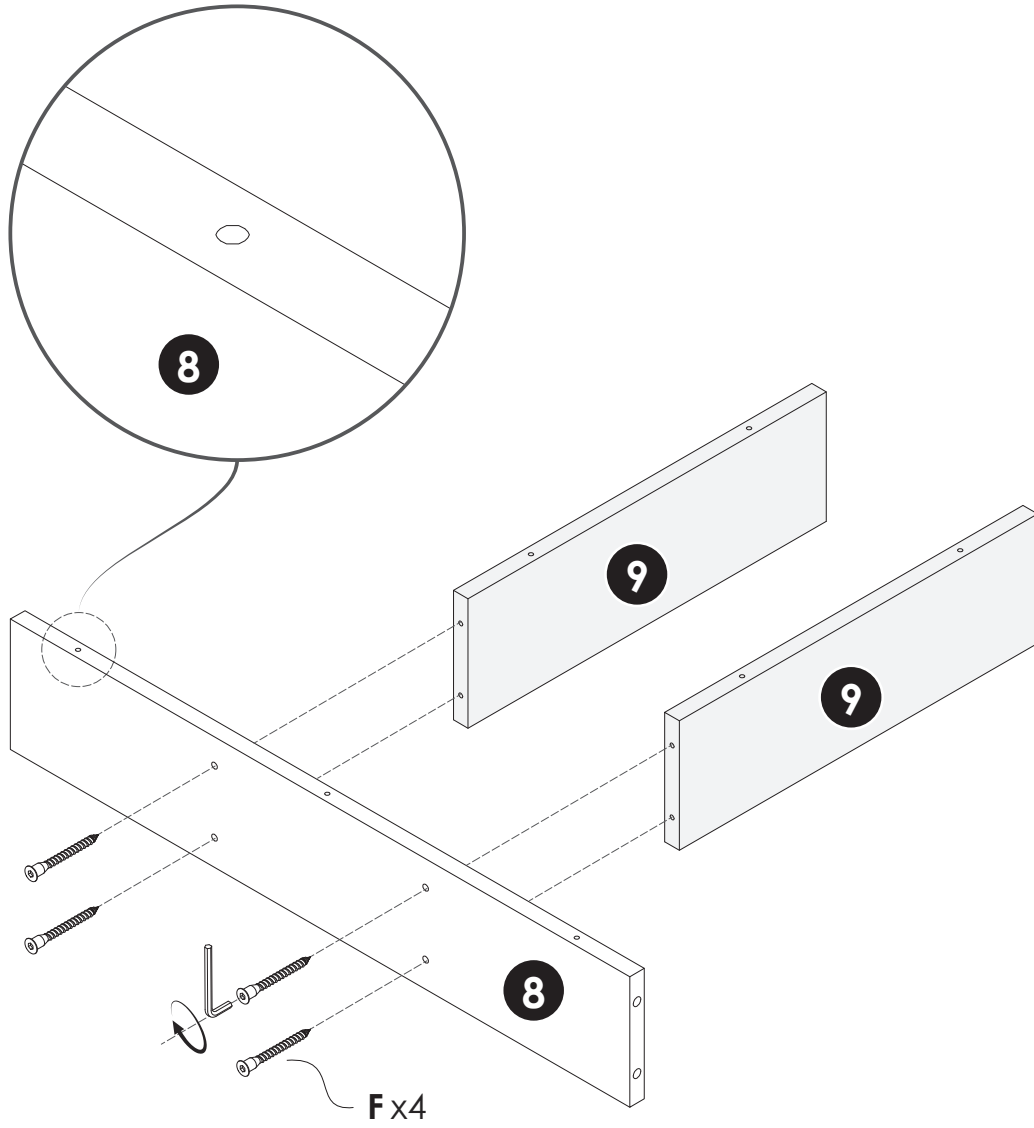
B x10



STEP 12

YOU WILL NEED

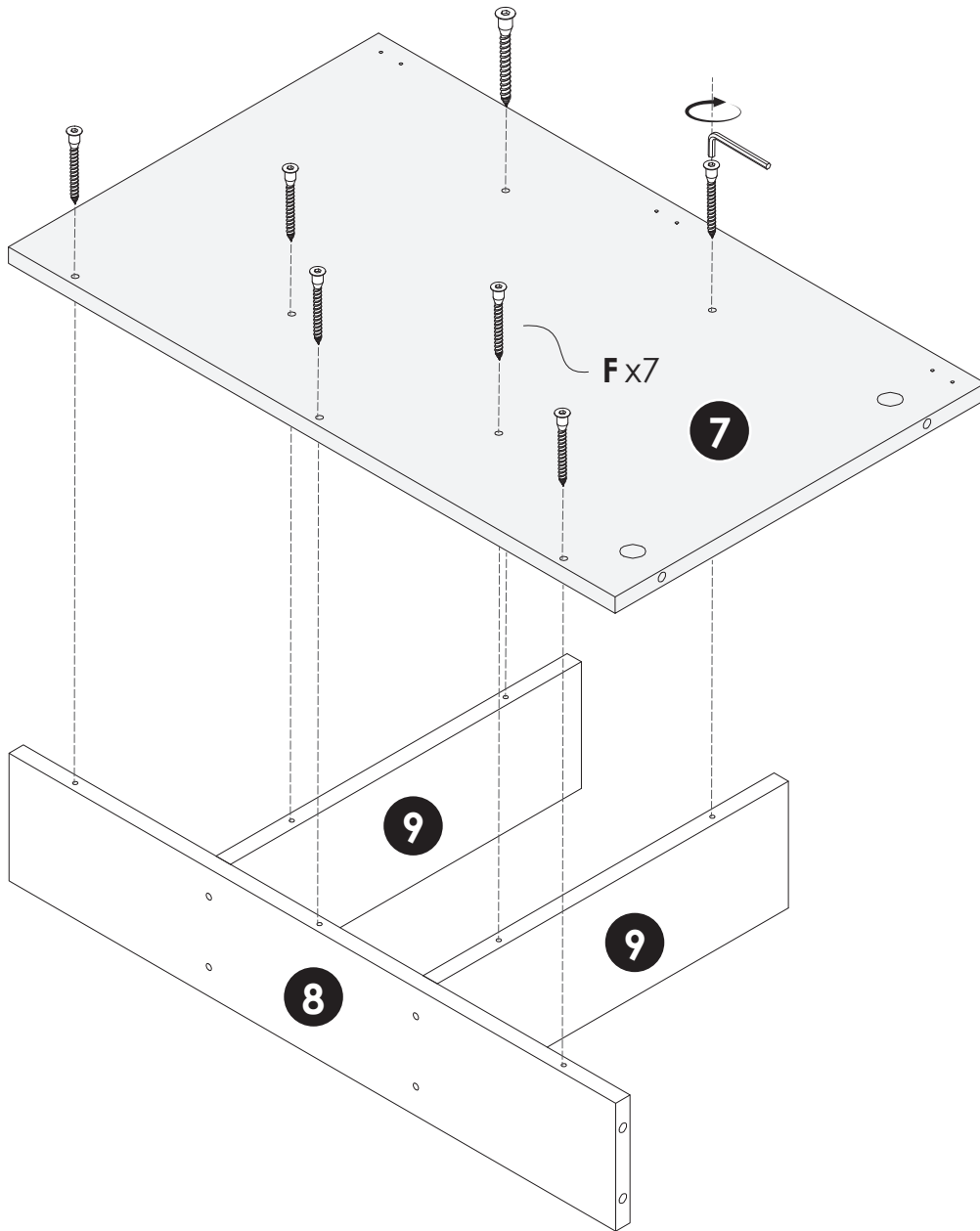
F x4



STEP **13**

YOU WILL NEED

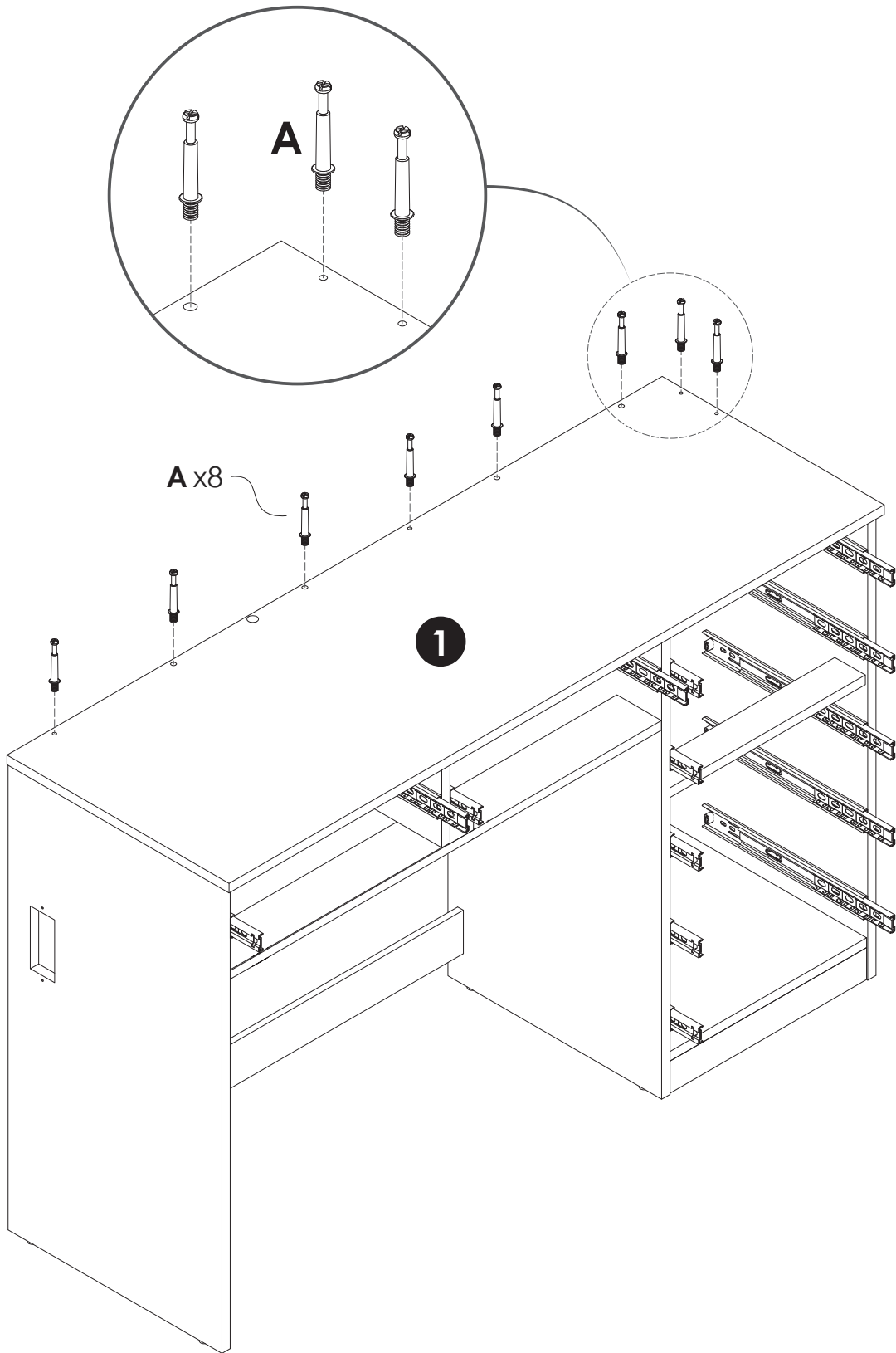
F x7



STEP **14**

YOU WILL NEED

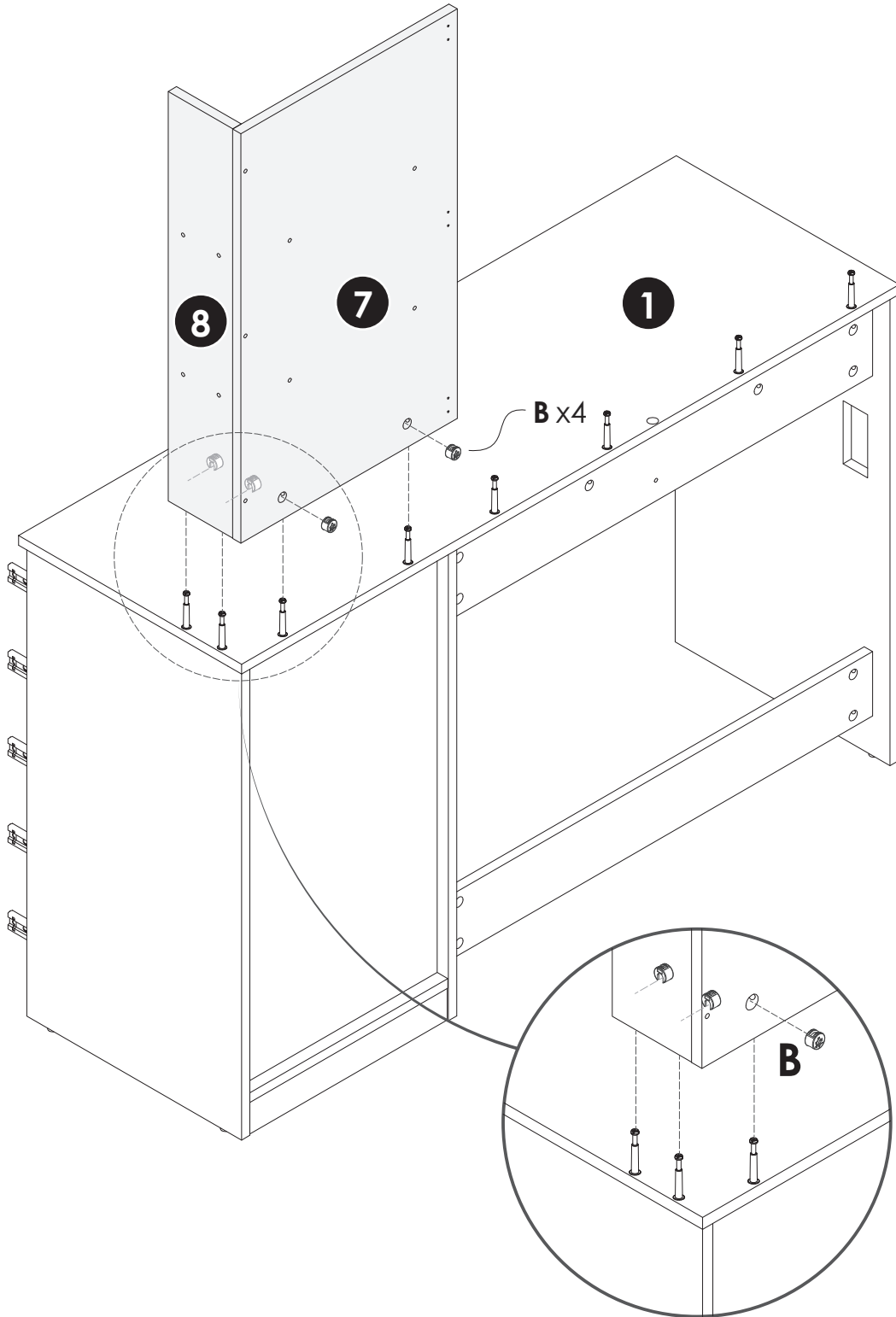
A x8



STEP **15**

YOU WILL NEED

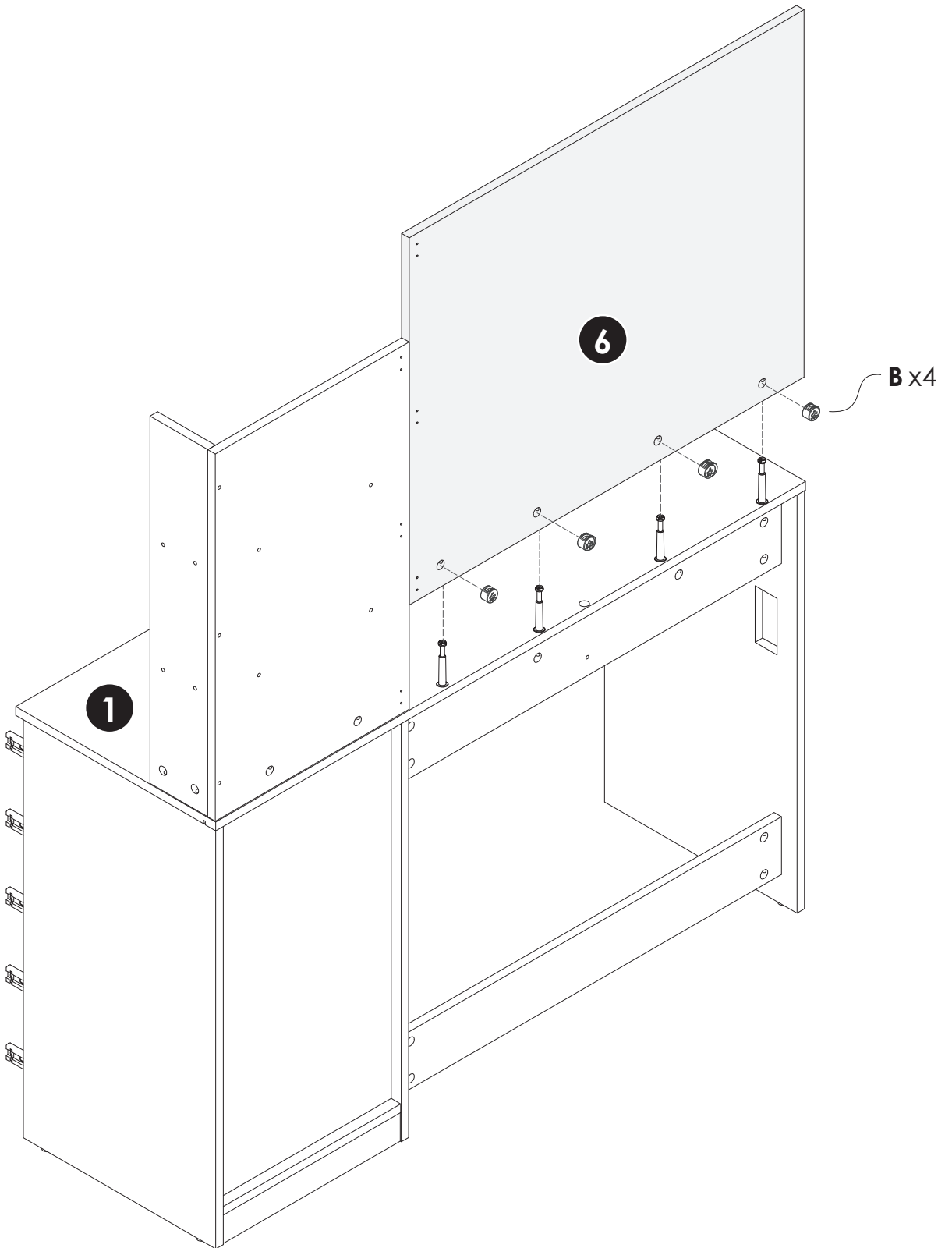
B x4



STEP **16**

YOU WILL NEED

B x4



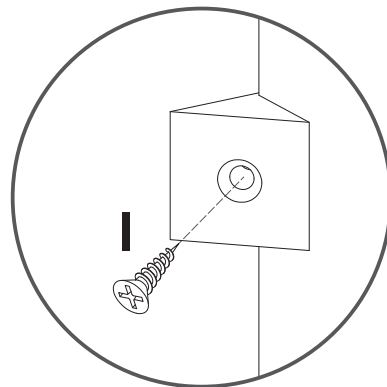
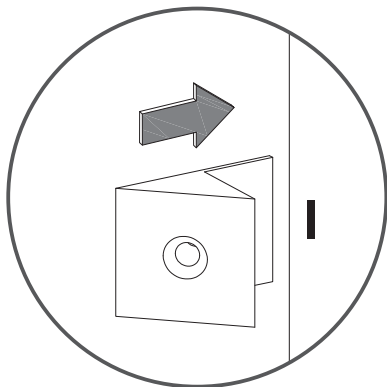
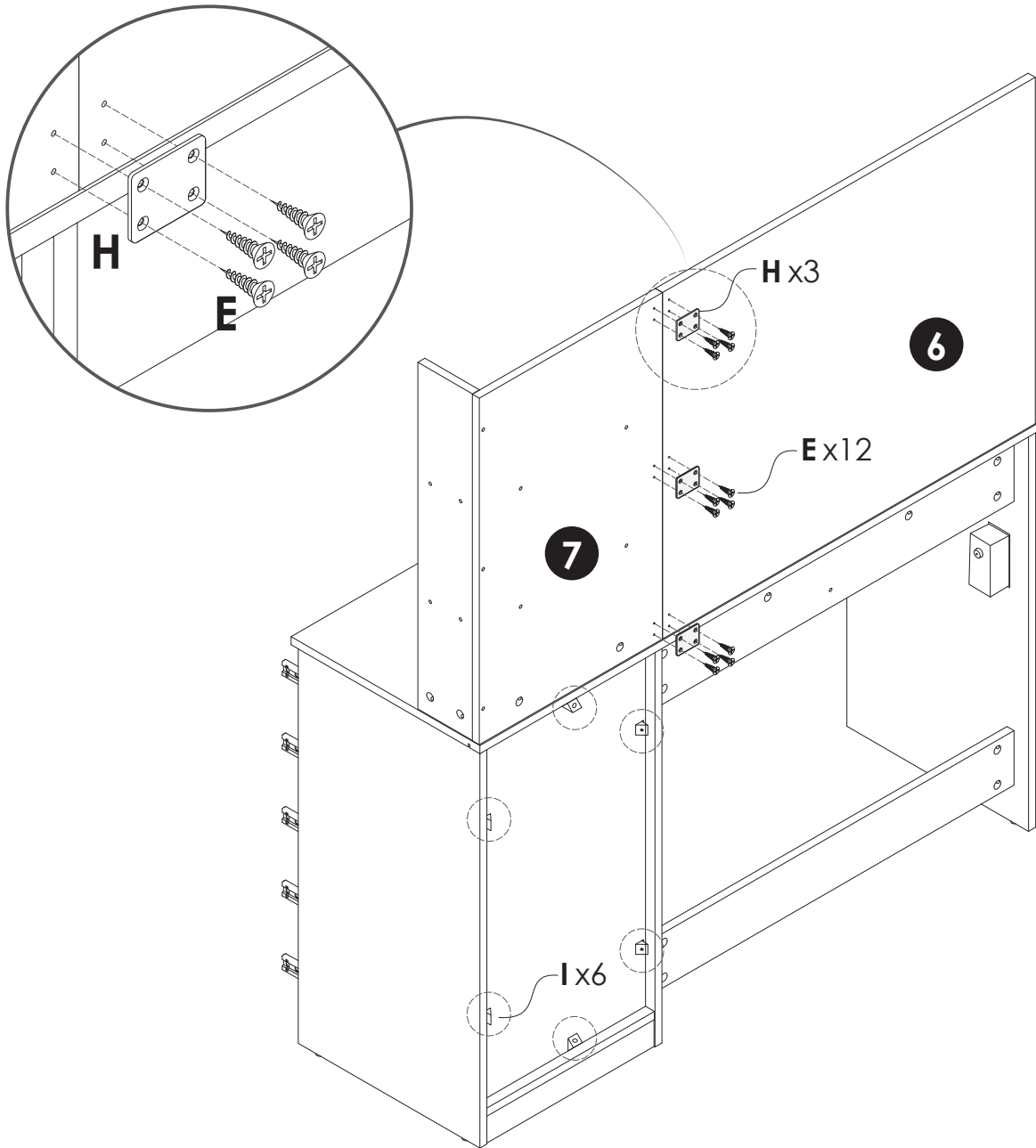
STEP 17

YOU WILL NEED

H x3

E x12

I x6

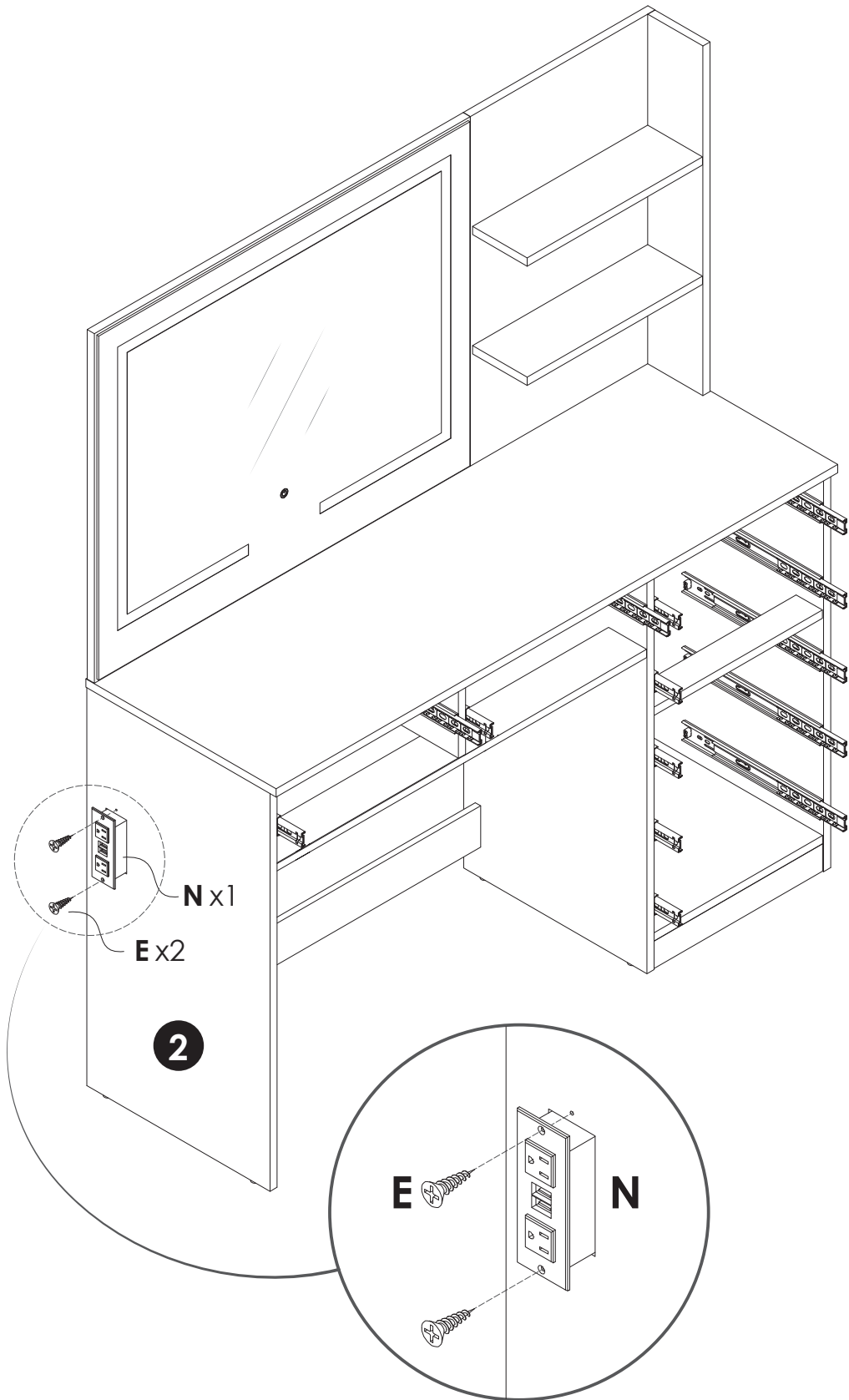


STEP **18**

YOU WILL NEED

E x2

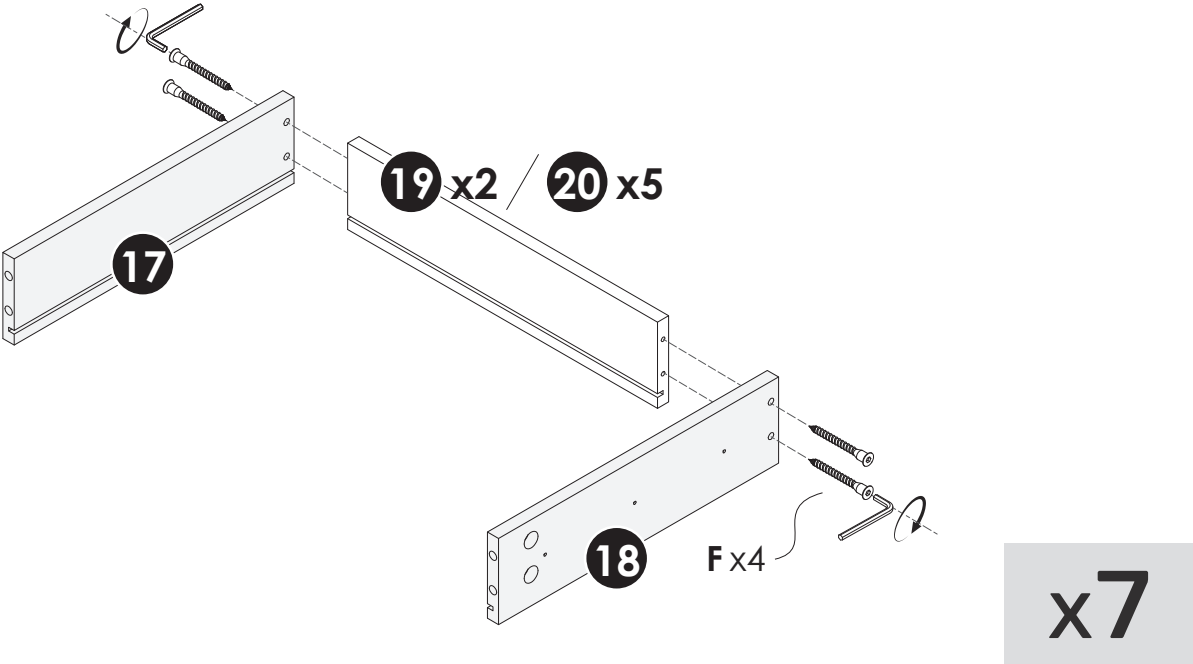
N x1



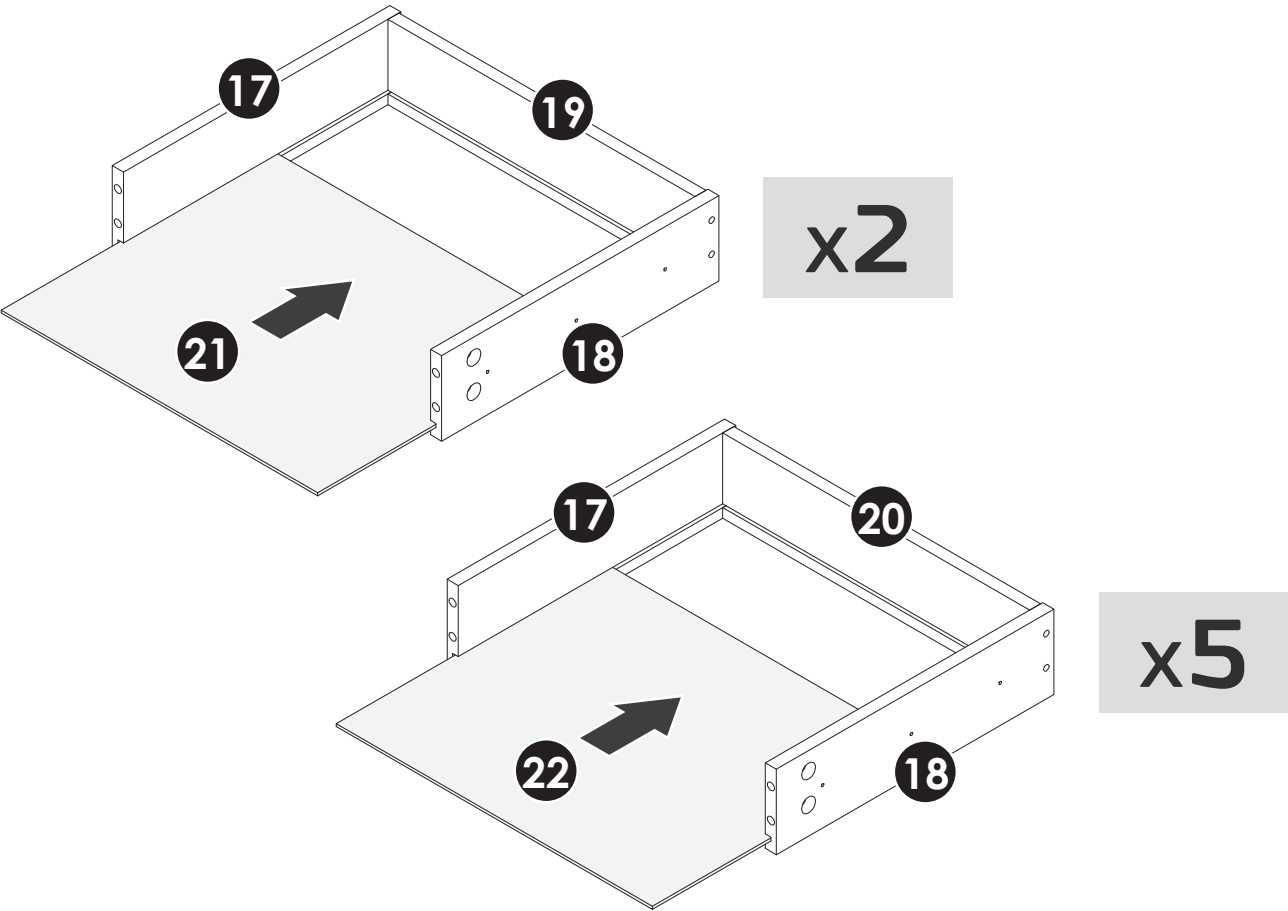
STEP **19**

YOU WILL NEED	
F x28	

1



2



STEP 20

YOU WILL NEED

A x8

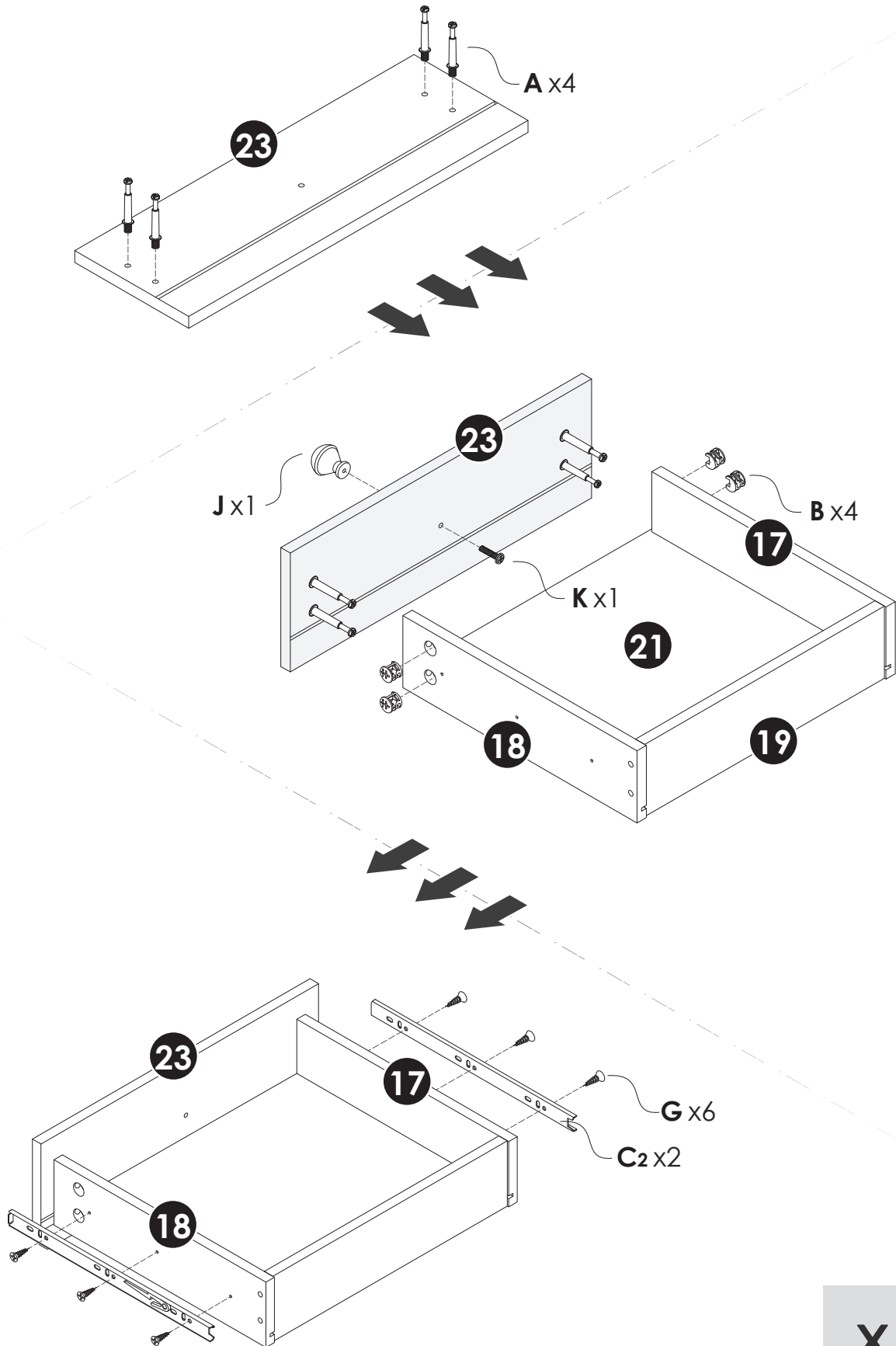
B x8

J x2

K x2

C₂ x4

G x12



x2

STEP 21

YOU WILL NEED

A x20

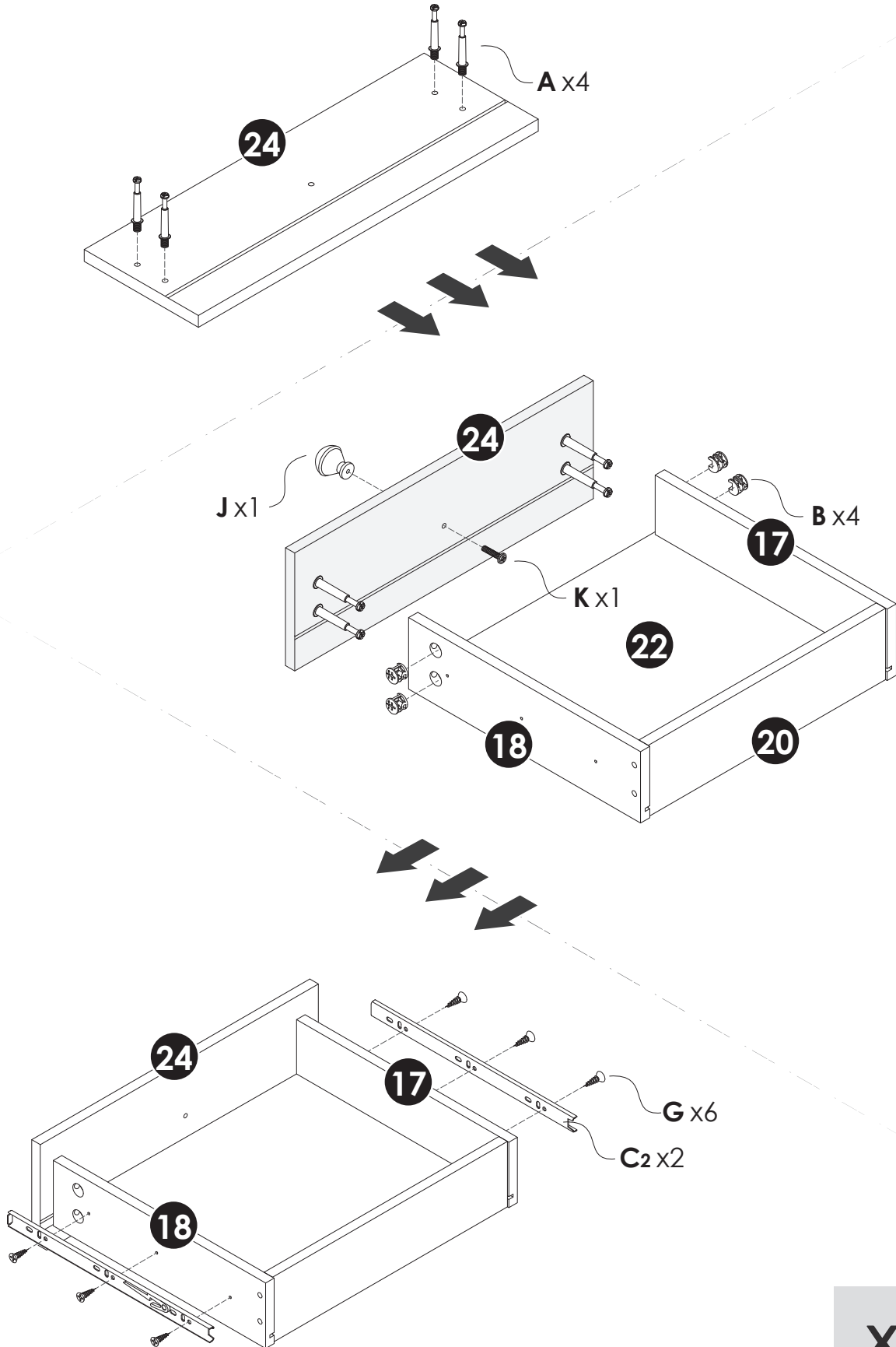
B x20

J x5

K x5

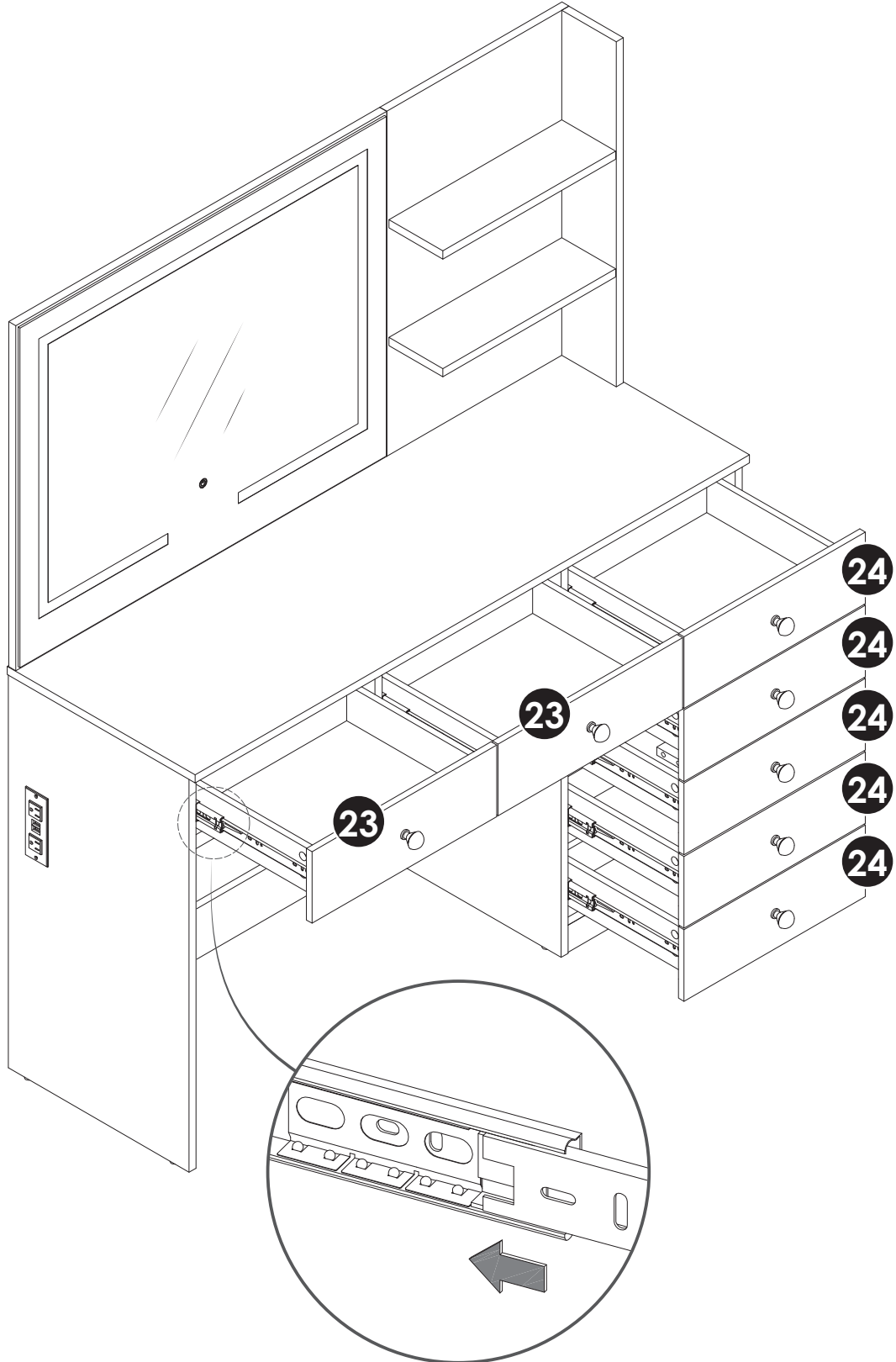
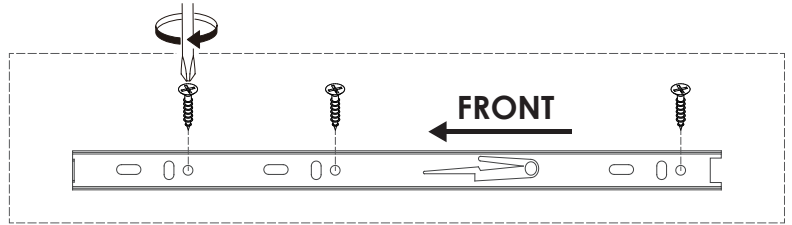
C₂ x10

G x30



x5

STEP 22

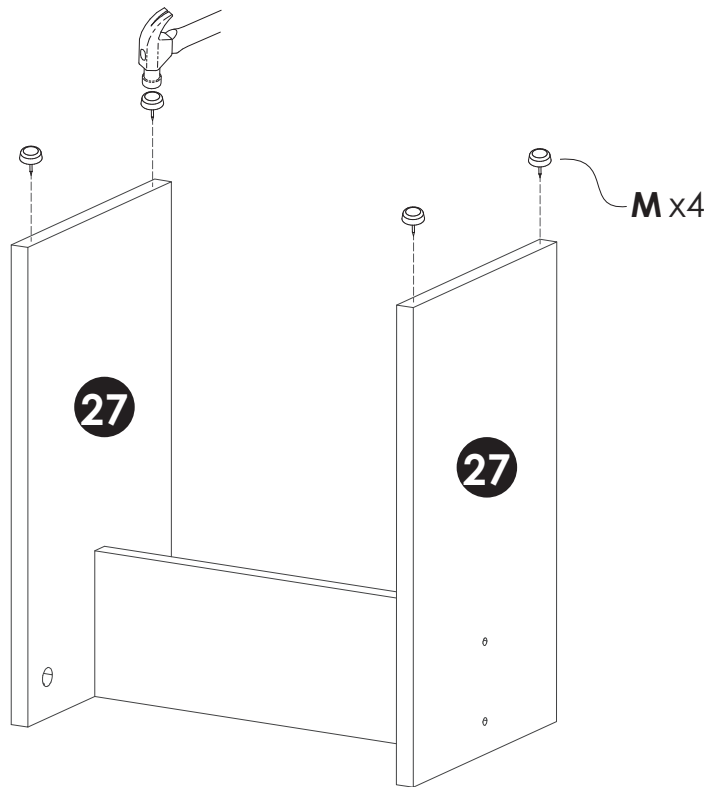
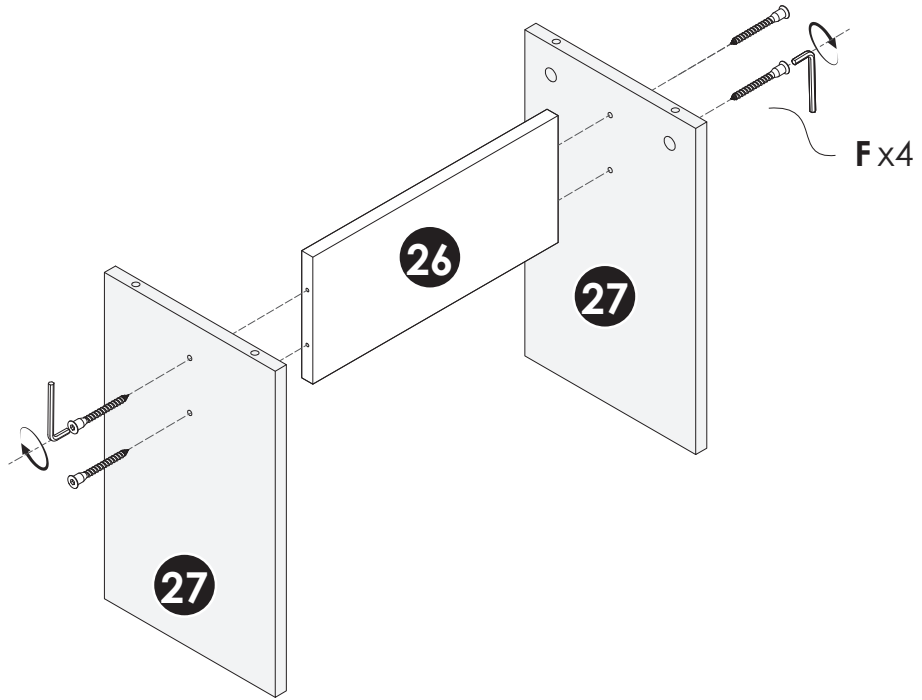


STEP **23**

YOU WILL NEED

F x4

M x4

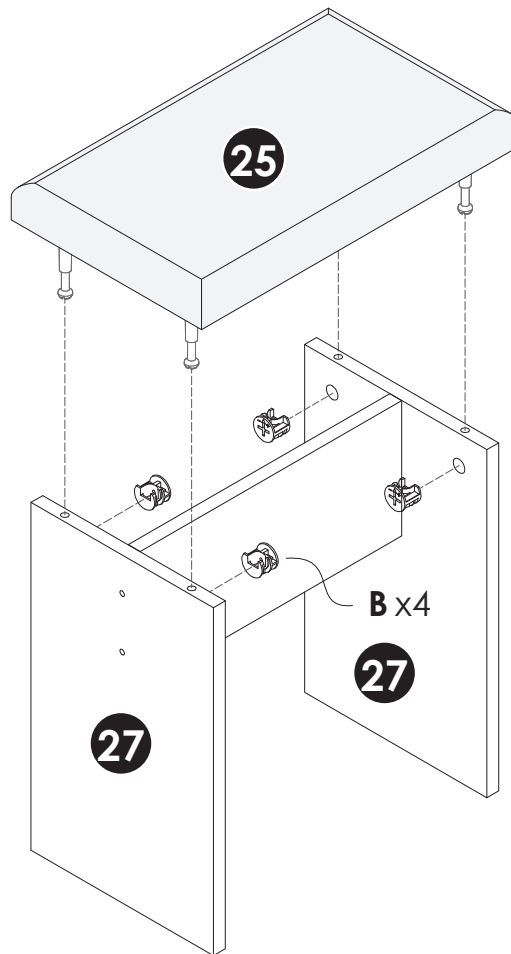
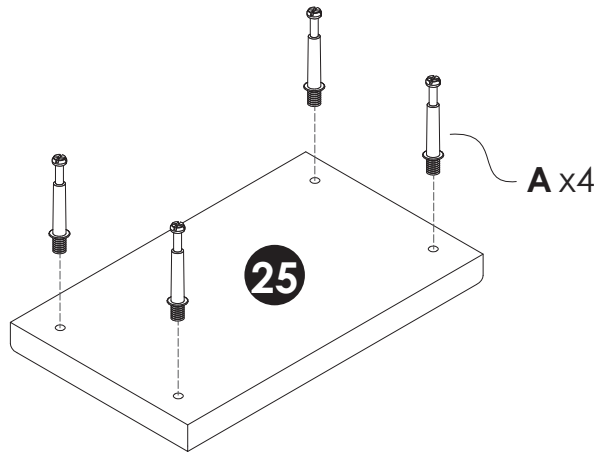


STEP **24**

YOU WILL NEED

A x4

B x4

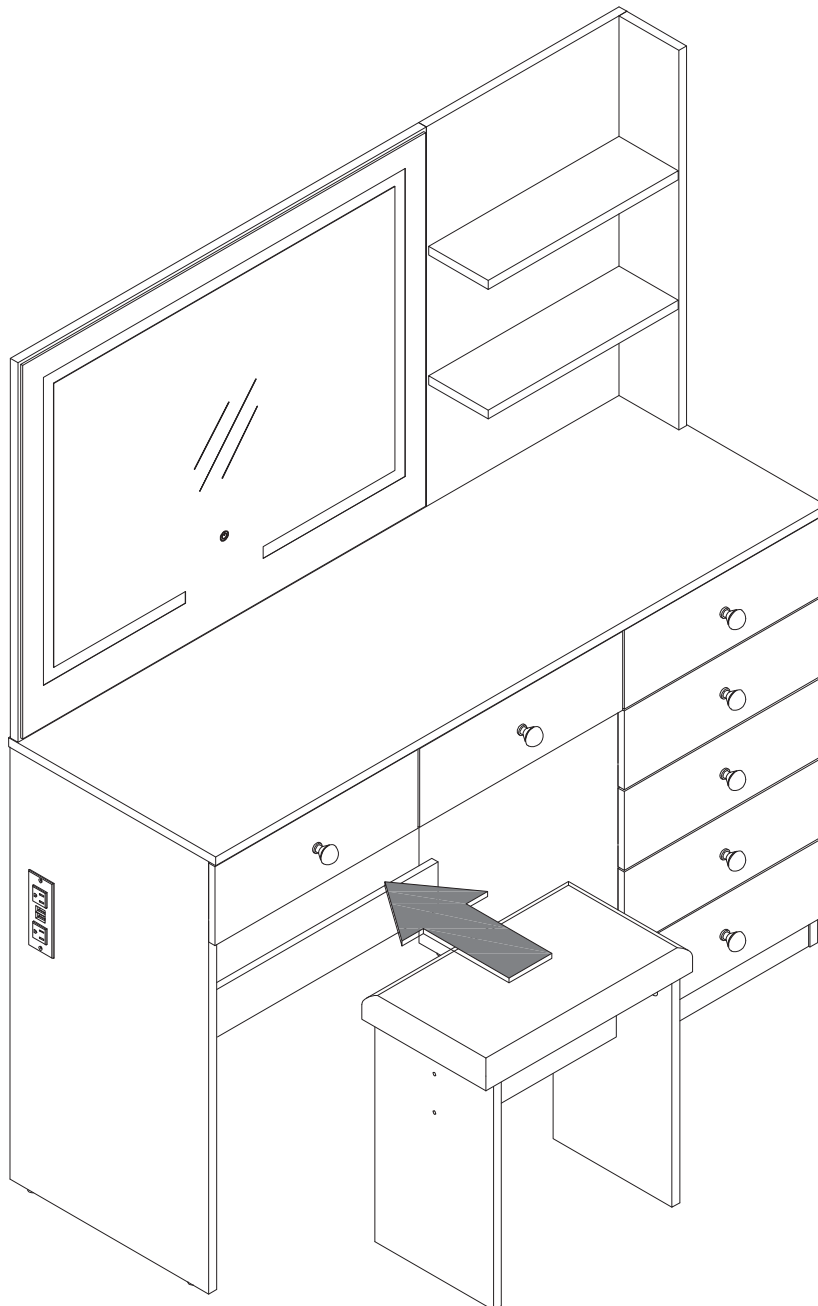
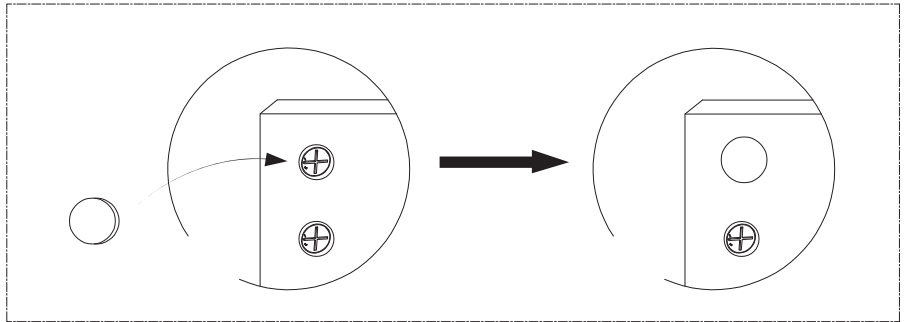
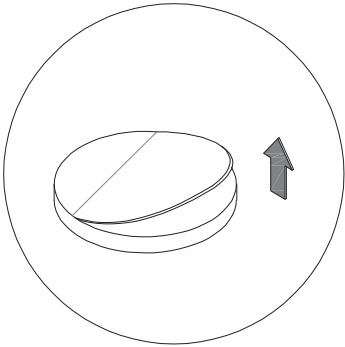


STEP **25**

YOU WILL NEED

L x32

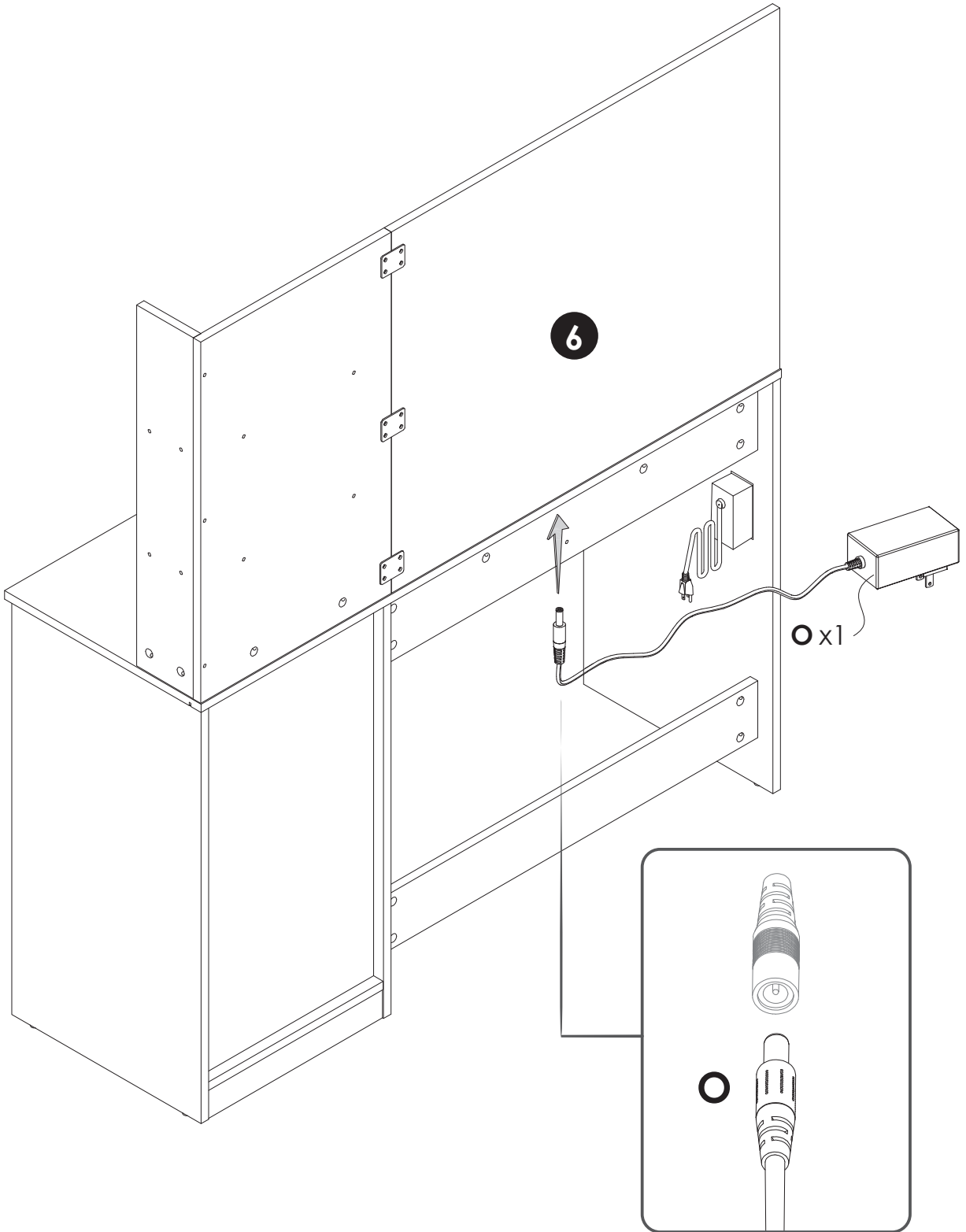
H x1



STEP **26**

YOU WILL NEED

○ x1



WARRANTY

We provide an **18-month** warranty on the product starting from the date of the original purchase. If the product has any manufacturing defect, please contact us through email with details about the problem. We will send you further information about the return or exchange.

Model: JY-240415

Made in China

