

Bathroom Vanity

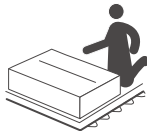
ASSEMBLY INSTRUCTIONS

Notice:

1. Follow the installation instructions. Please confirm all accessories are preset before installation.
2. Do not fully tighten the screws during initial assembly. Fully tighten screws only once all pieces which are correctly assembled.
3. If you encounter any problems during installation, please contact our customer service.
4. Please unbox the item from the side with an open-label and put a carpet on the floor to avoid scratching it.



Recommended installers : 2



Put a carpet on the floor before unpacking

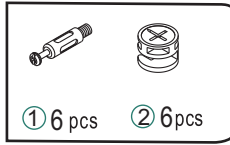
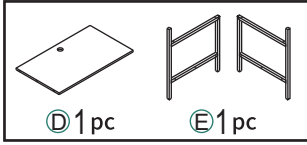


Estimate installation time:
30 minutes

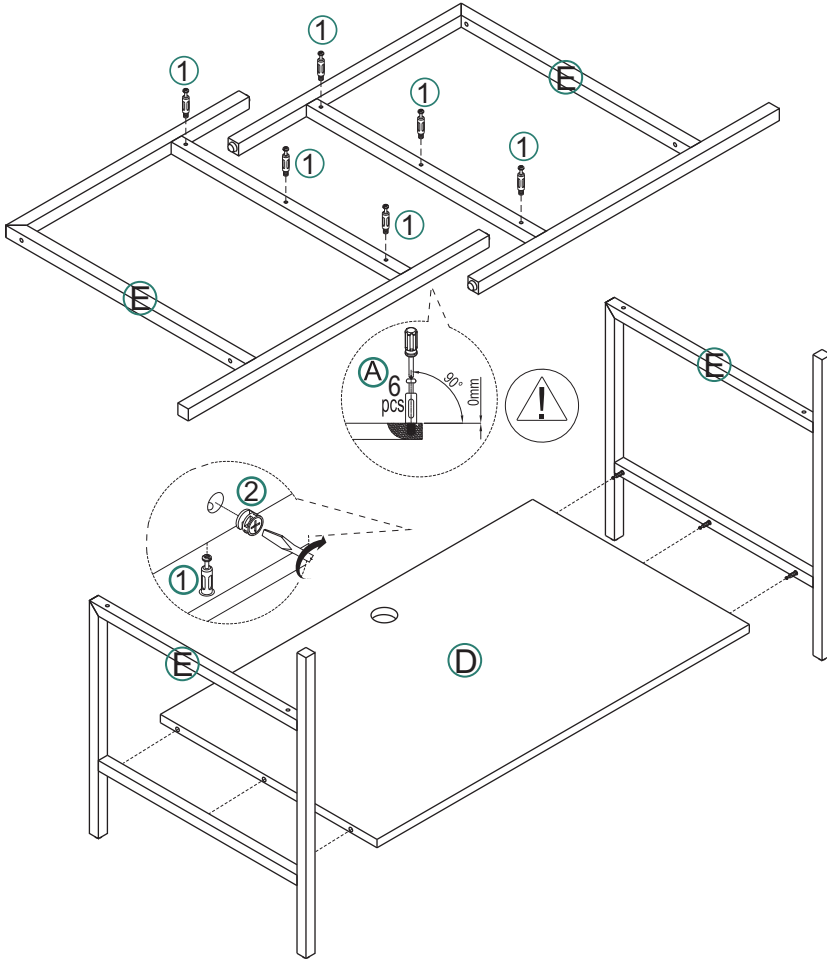
Item no.	Reference Image	Qty	Item no.	Reference Image	Qty
A		x1	1	 Ø6x26mm	x6
B		x1	2	 Ø15x9mm	x6
C		x1	3	 Ø3.5x33mm	x4
D		x1	4		x1
E		x1			

ASSEMBLY INSTRUCTIONS

1



The floor needs to be covered with paper or carpet protective material before installation!

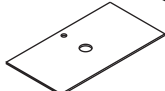


ASSEMBLY INSTRUCTIONS

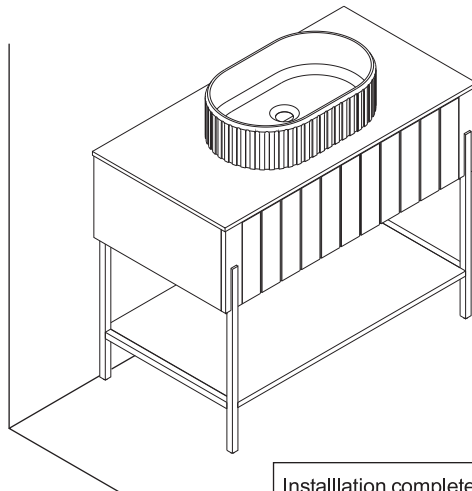
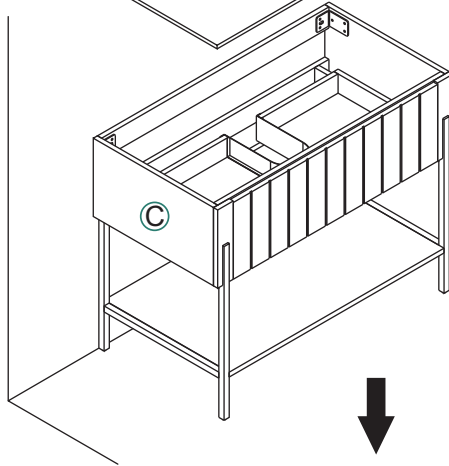
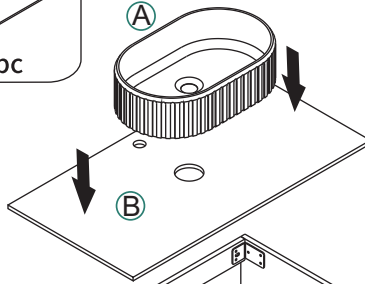
3



Ⓐ 1pc



Ⓑ 1pc



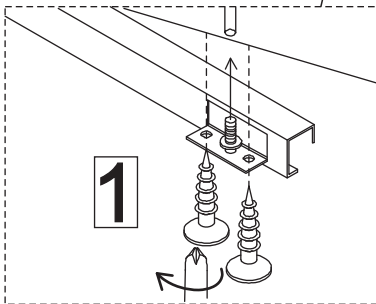
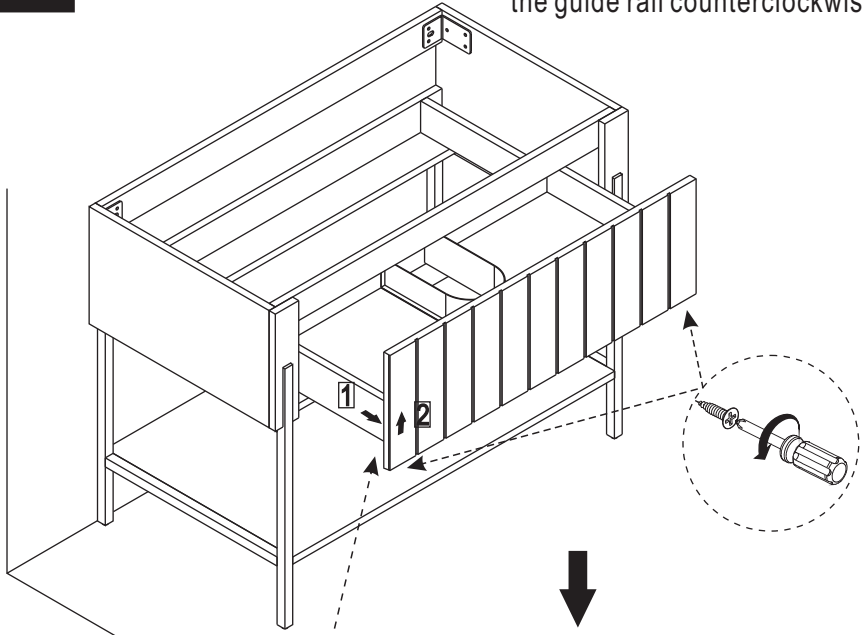
5

ASSEMBLY INSTRUCTIONS

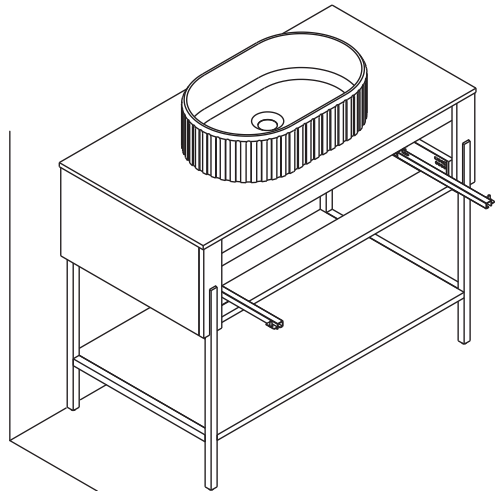
4

Installation of drain assembly

Turn the screw at the bottom of the guide rail counterclockwise!

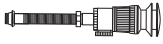


Move out the drawer

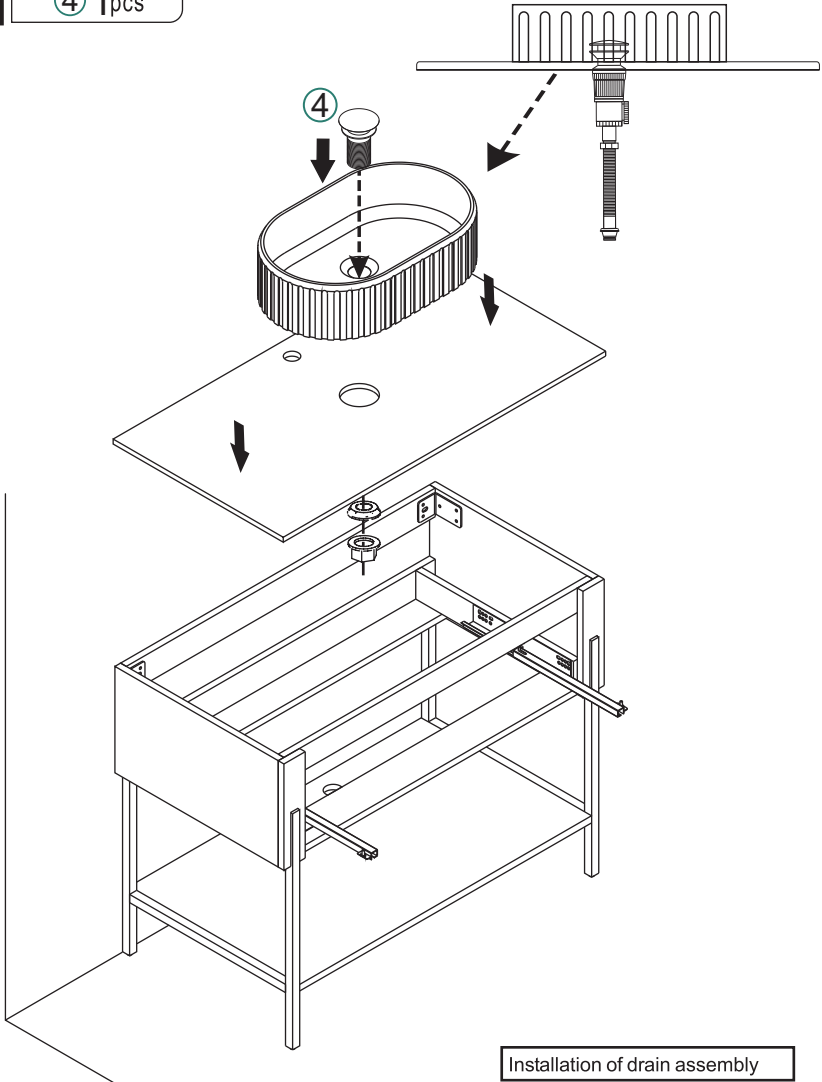


ASSEMBLY INSTRUCTIONS

5

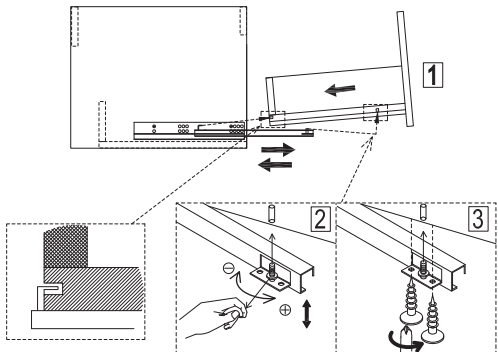
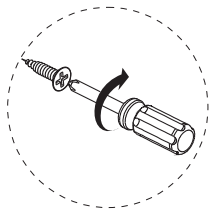
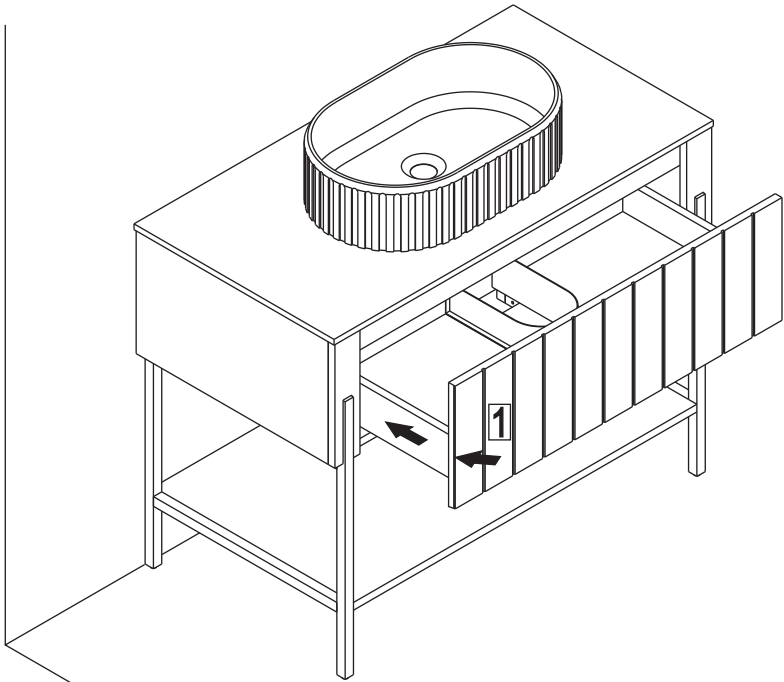


④ 1 pcs



ASSEMBLY INSTRUCTIONS

6



Installation completed