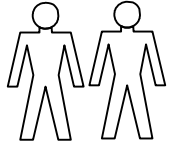


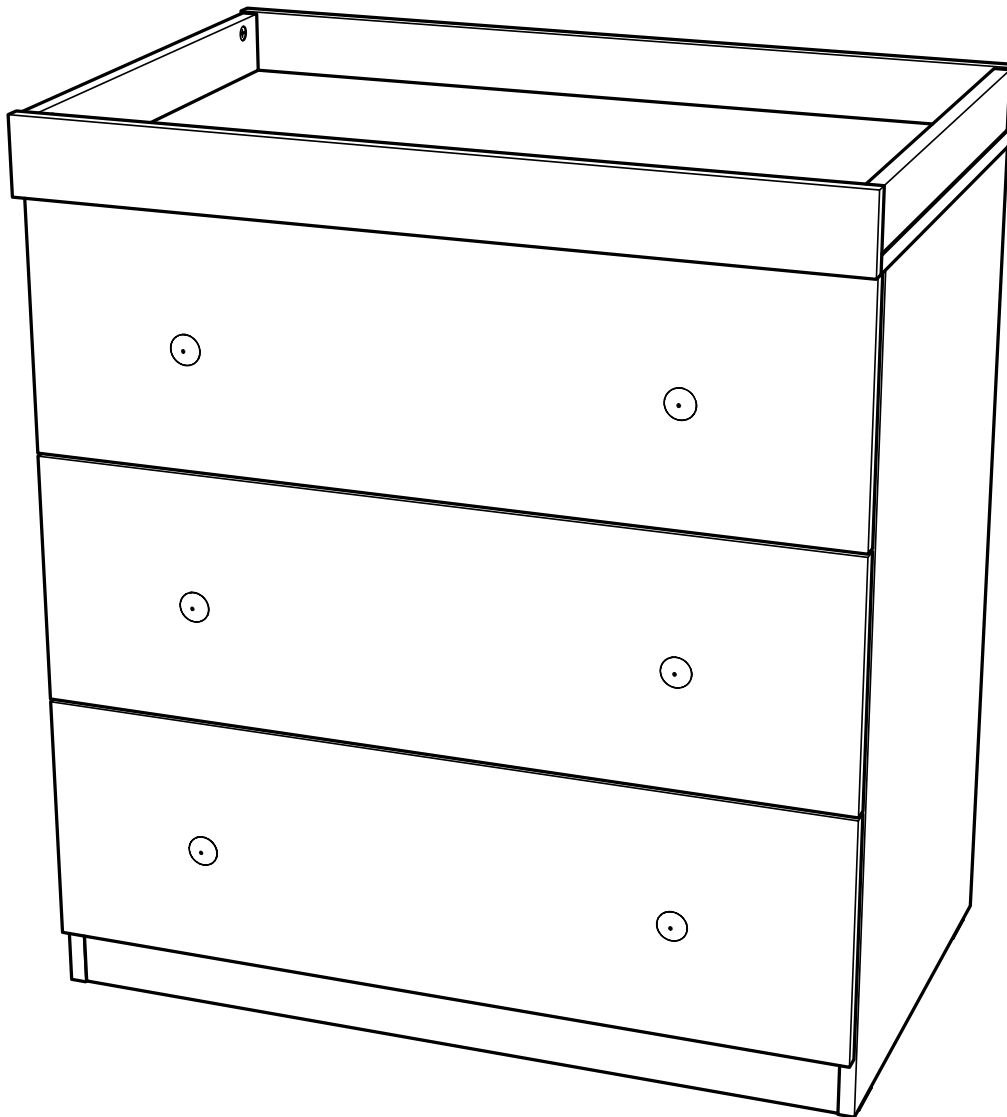
*DO NOT DRAG  
2 MAN LIFT*

# *Harlington*



## *Dresser*

Assembly instruction



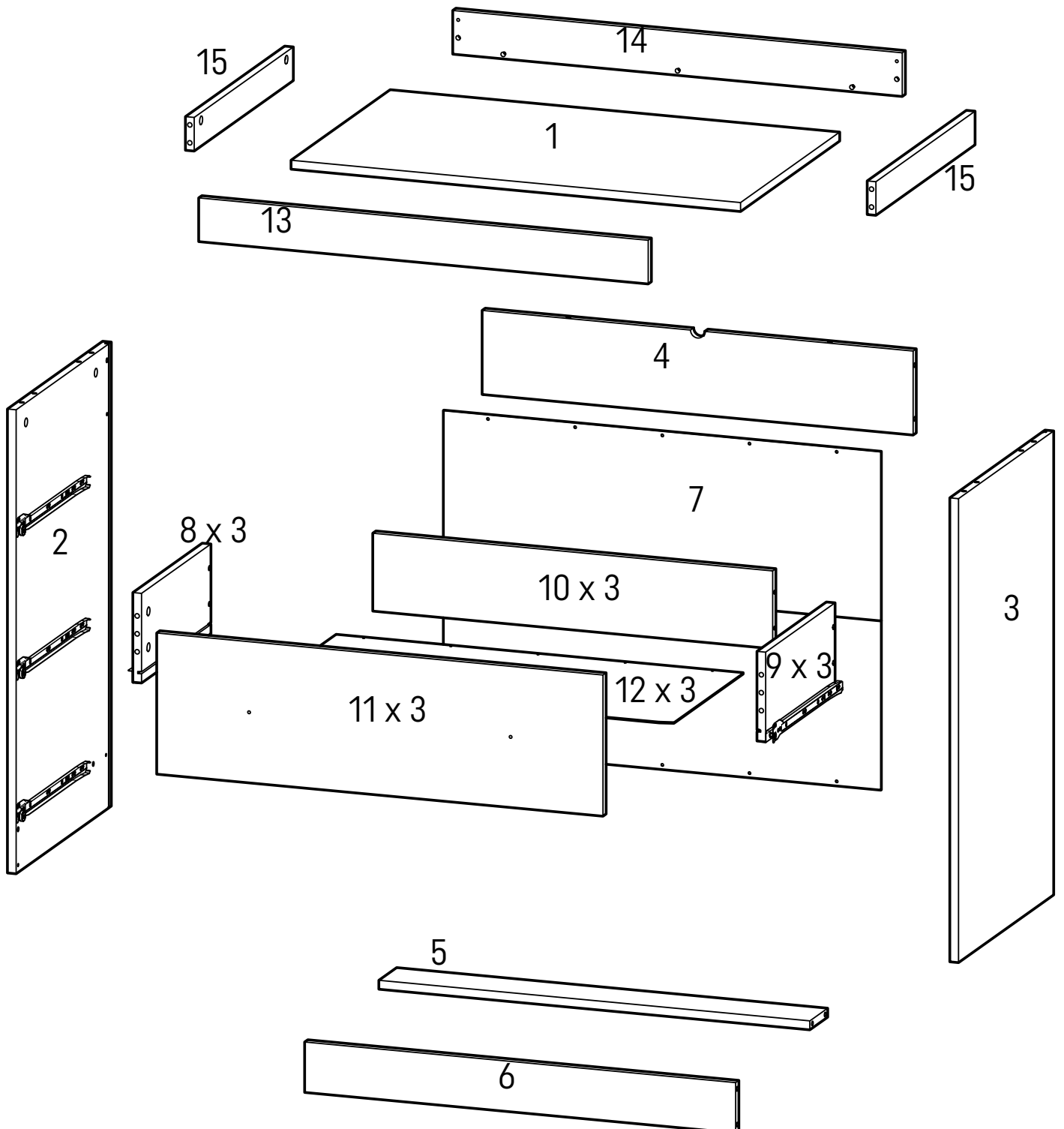
**IMPORTANT: RETAIN FOR FUTURE REFERENCE:  
READ CAREFULLY**


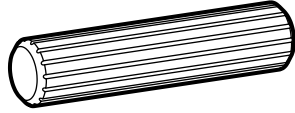
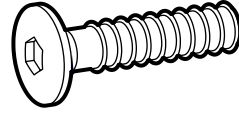
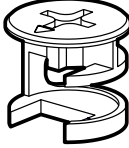
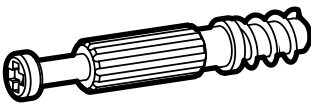
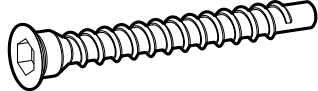


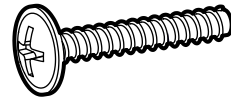

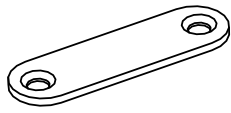
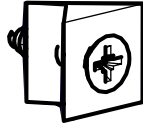

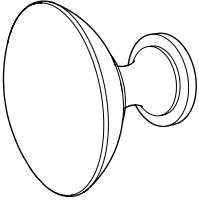
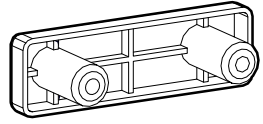
**IND. 4021013**

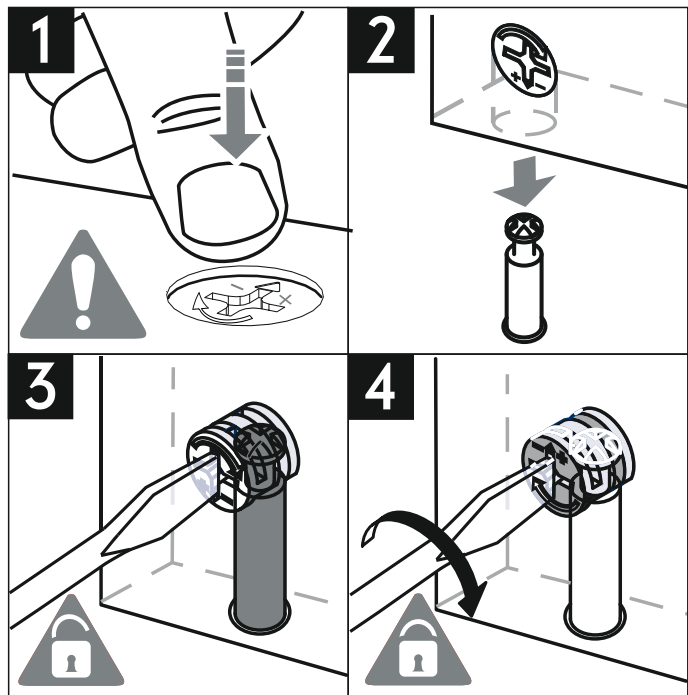
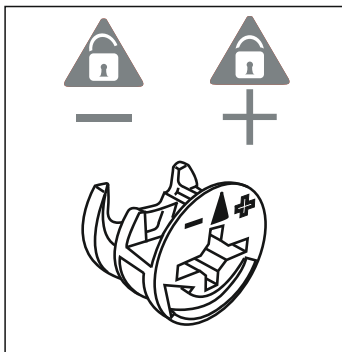
# BEFOR ASSEMBLY


## MAIN COMPONENTS

- unpack all the parts and identify them against the fitting and components list.
- do not discard any packaging until you have checked that you have all parts as shown below.
- you may find the construction of your dresser easier if you have the help of another person.
- crosshead screwdriver (not provided).



<p>1000806</p>  <p>x 1</p>	<p>1005857</p>  <p>x 20</p>	<p>1005727</p>  <p>x 3</p>
<p>1005367</p>  <p>x 28</p>	<p>1006091</p>  <p>x 28</p>	<p>1005876</p>  <p>x 12</p>
<p>1006012</p>  <p>x 31</p>	<p>1002152</p>  <p>x 3</p>	<p>1005471</p>  <p>x 6</p>
<p>1115207</p>  <p>x 4</p>	<p>1001786</p>  <p>x 2</p>	<p>1006022</p>  <p>x 4</p>
<p>1000893</p>  <p>x 1</p>	<p>1127179</p>  <p>x 6</p>	<p>1000868</p>  <p>x 4</p>

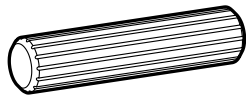


ARTIKELNUMMER ITEM NUMER ARTIKELNUMMER		4021013	AANTAL QUANTITY ANZAHL	AFTMETINGEN [mm] DIMENSIONS [mm] ABMESSUNGEN [mm]		
1	1/2	2217263	1	825	500	16
2	2/2	2217265	1	828	480	16
3	2/2	2217266	1	828	480	16
4	2/2	2217267	1	791	150	16
5	2/2	2217264	1	791	90	16
6	2/2	2217268	1	791	90	16
7	2/2	2208760	1	803	604	2,5
8	2/2	2217270	3	350	160	16
9	2/2	2217271	3	350	160	16
10	1/2	2217272	3	734	139	16
11	1/2	2217269	3	819	252	16
12	1/2	2217273	1	747	355	2,5
13	1/2	2217274	1	825	78	16
14	1/2	2217275	1	825	78	16
15	2/2	2217276	2	500	60	16

EN. In case of complain please advise the spare part number.

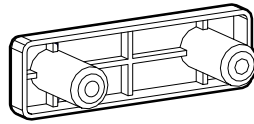
1

1005857



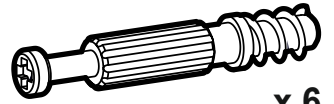
x 4

1000868



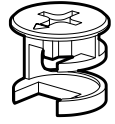
x 4

1006091

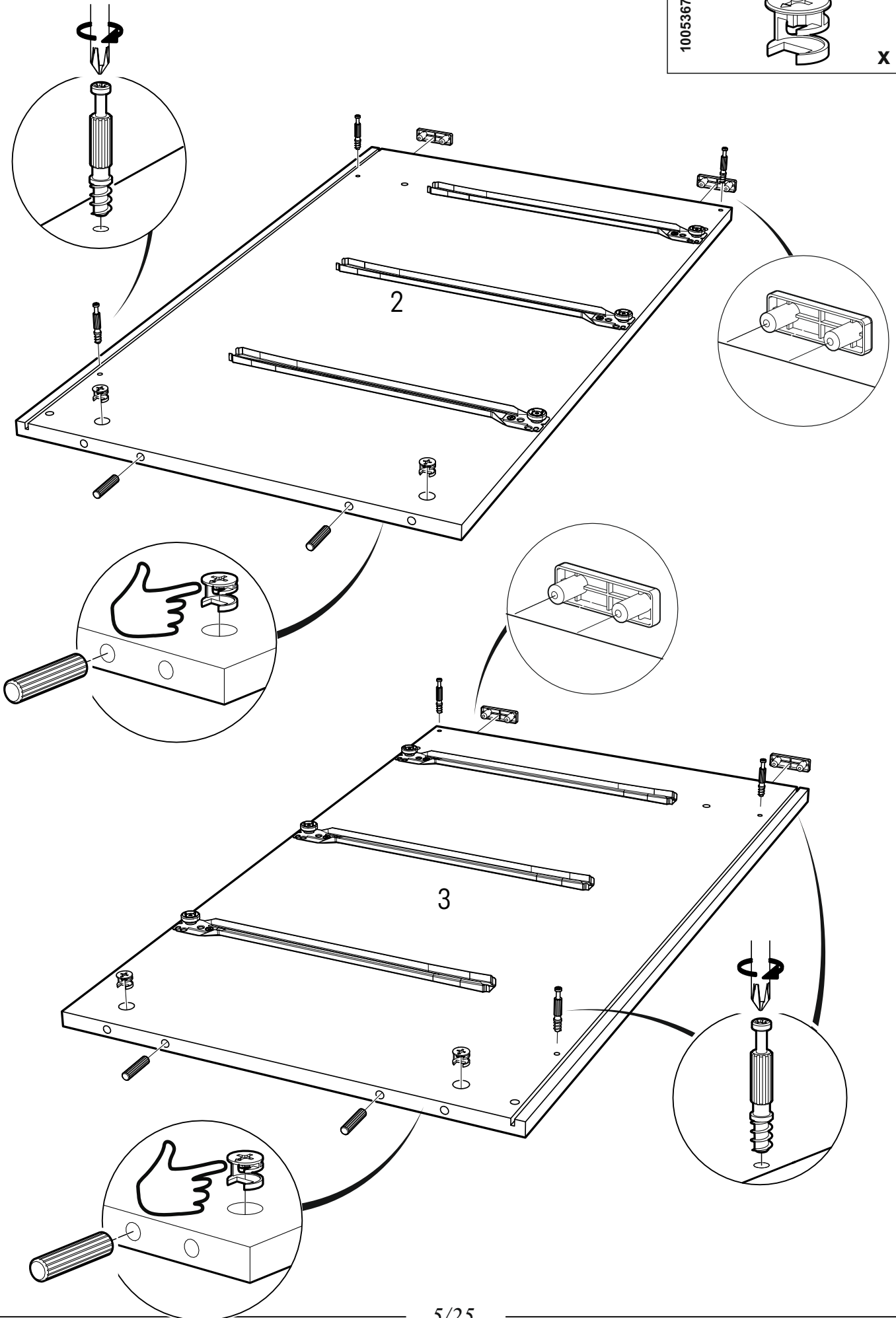


x 6

1005367

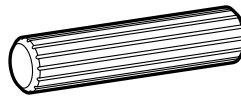


x 4



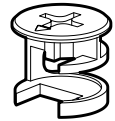
2

1005857

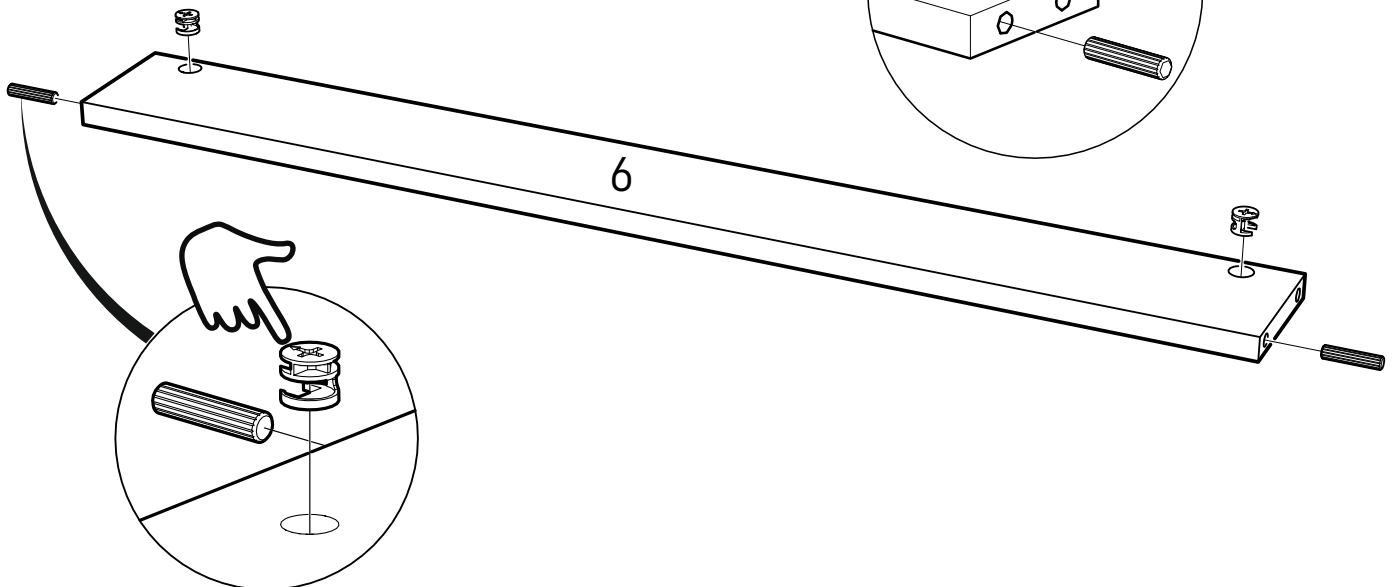
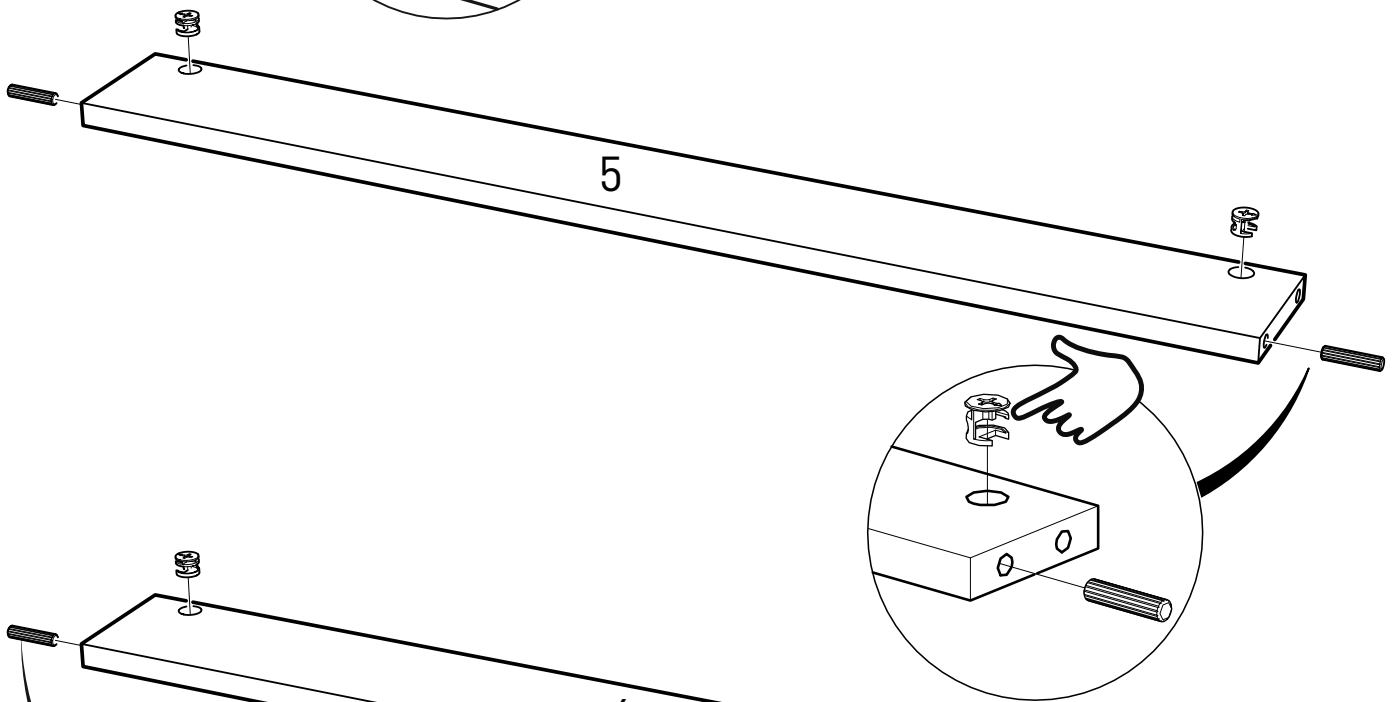
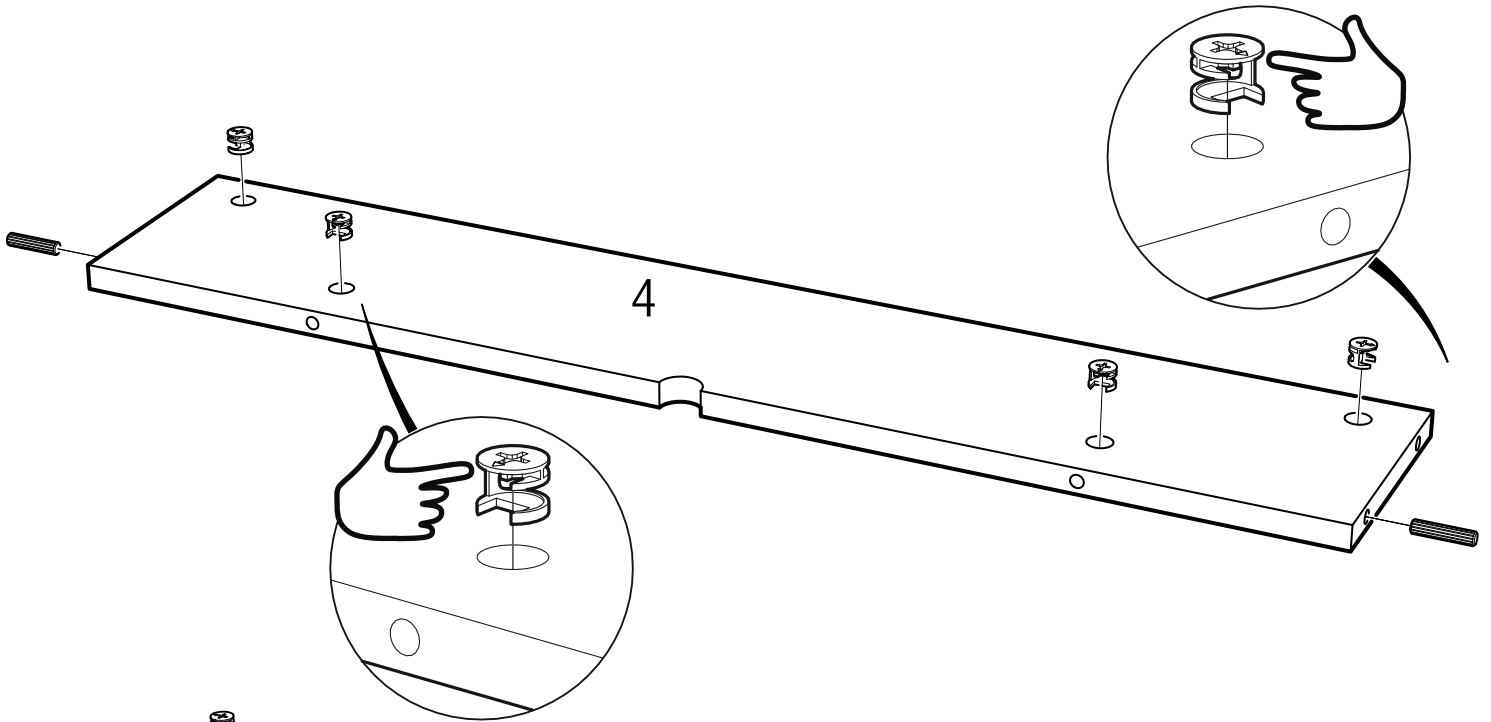


x 6

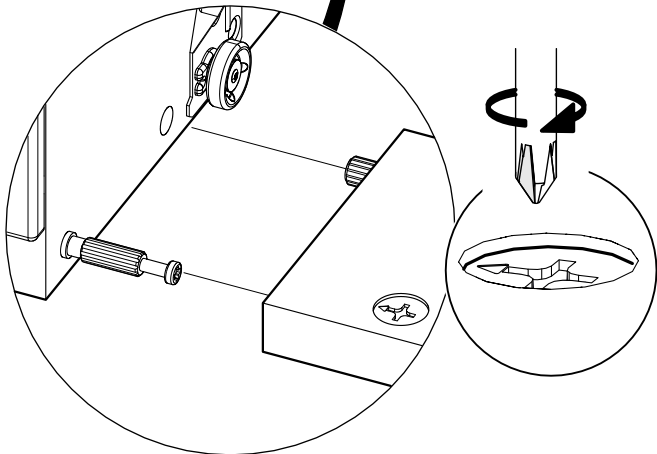
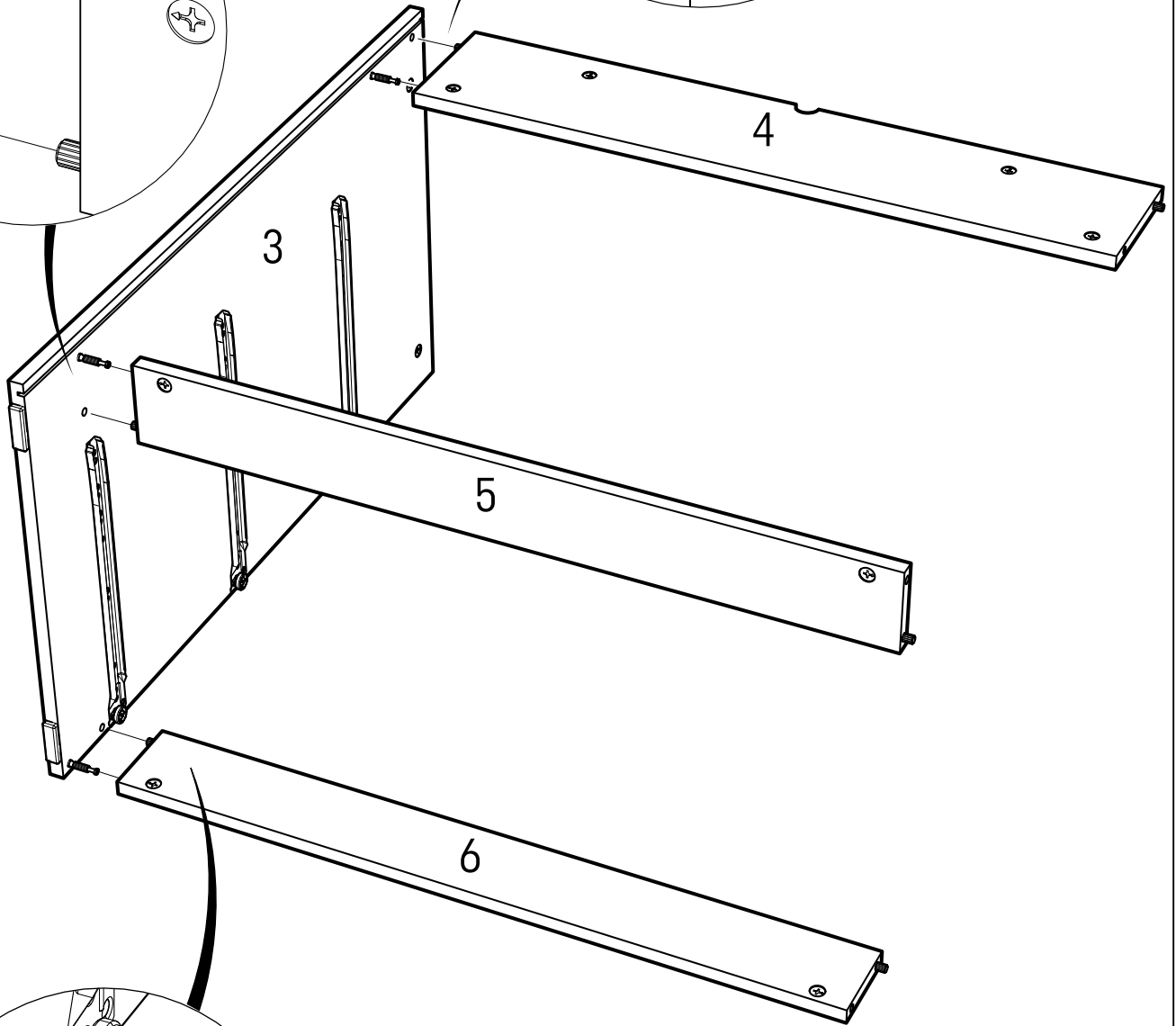
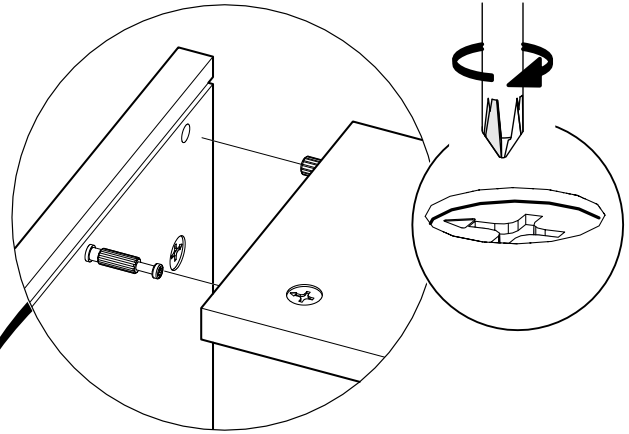
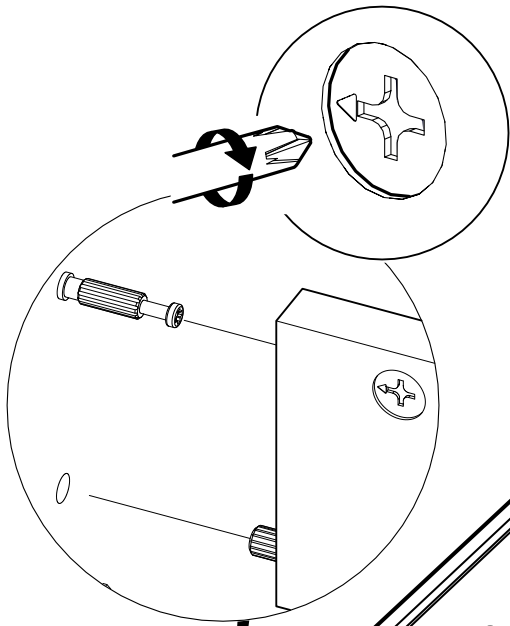
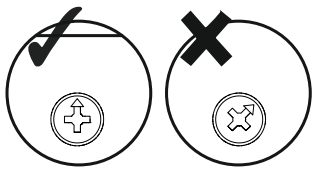
1005367



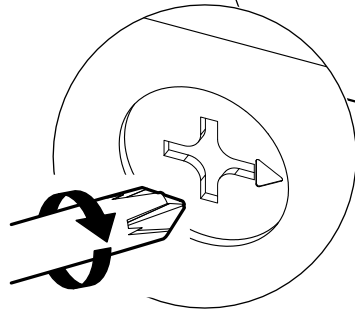
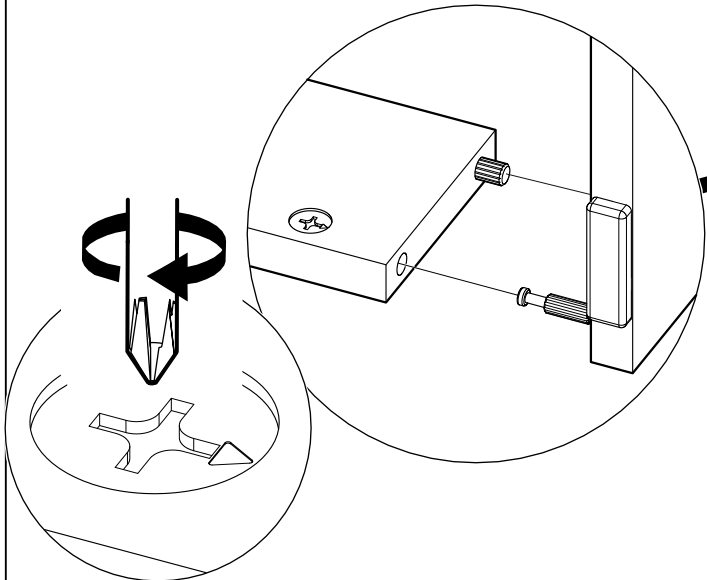
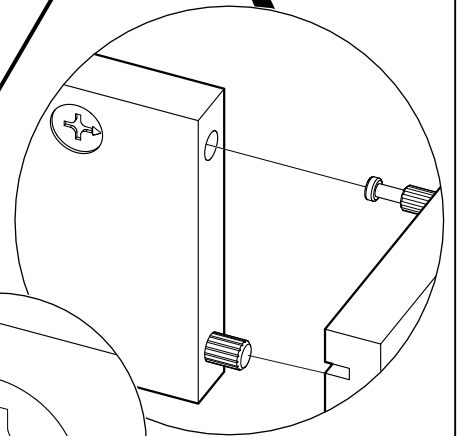
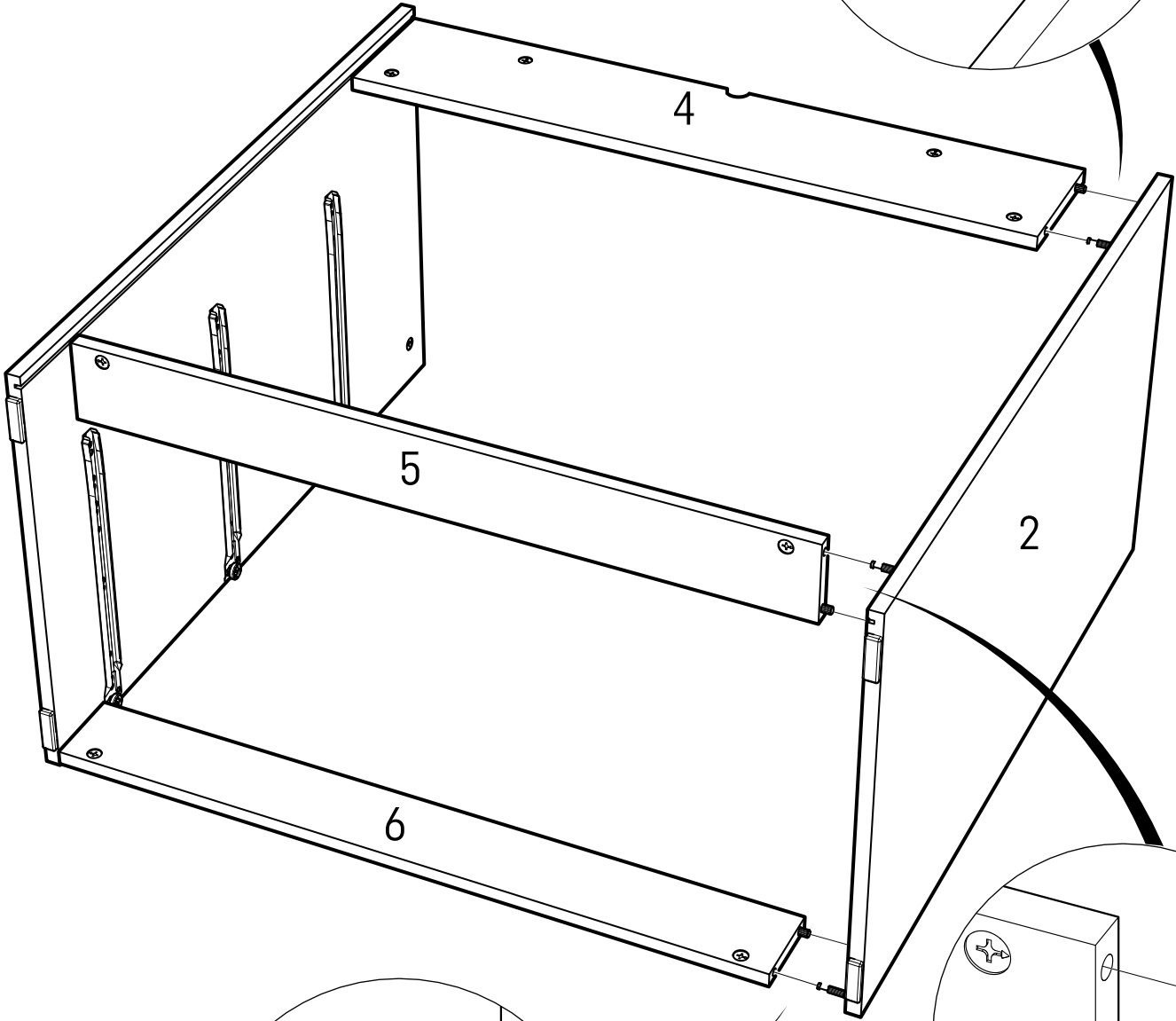
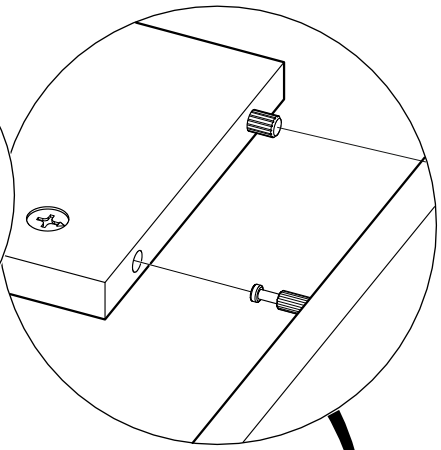
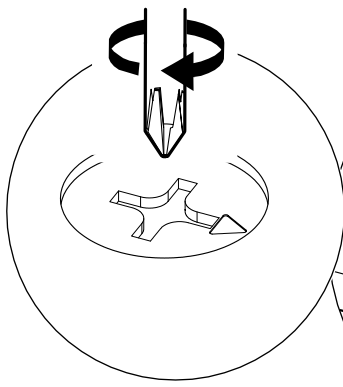
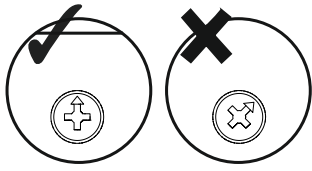
x 8



3

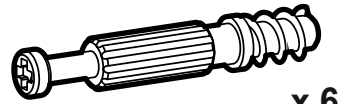


4

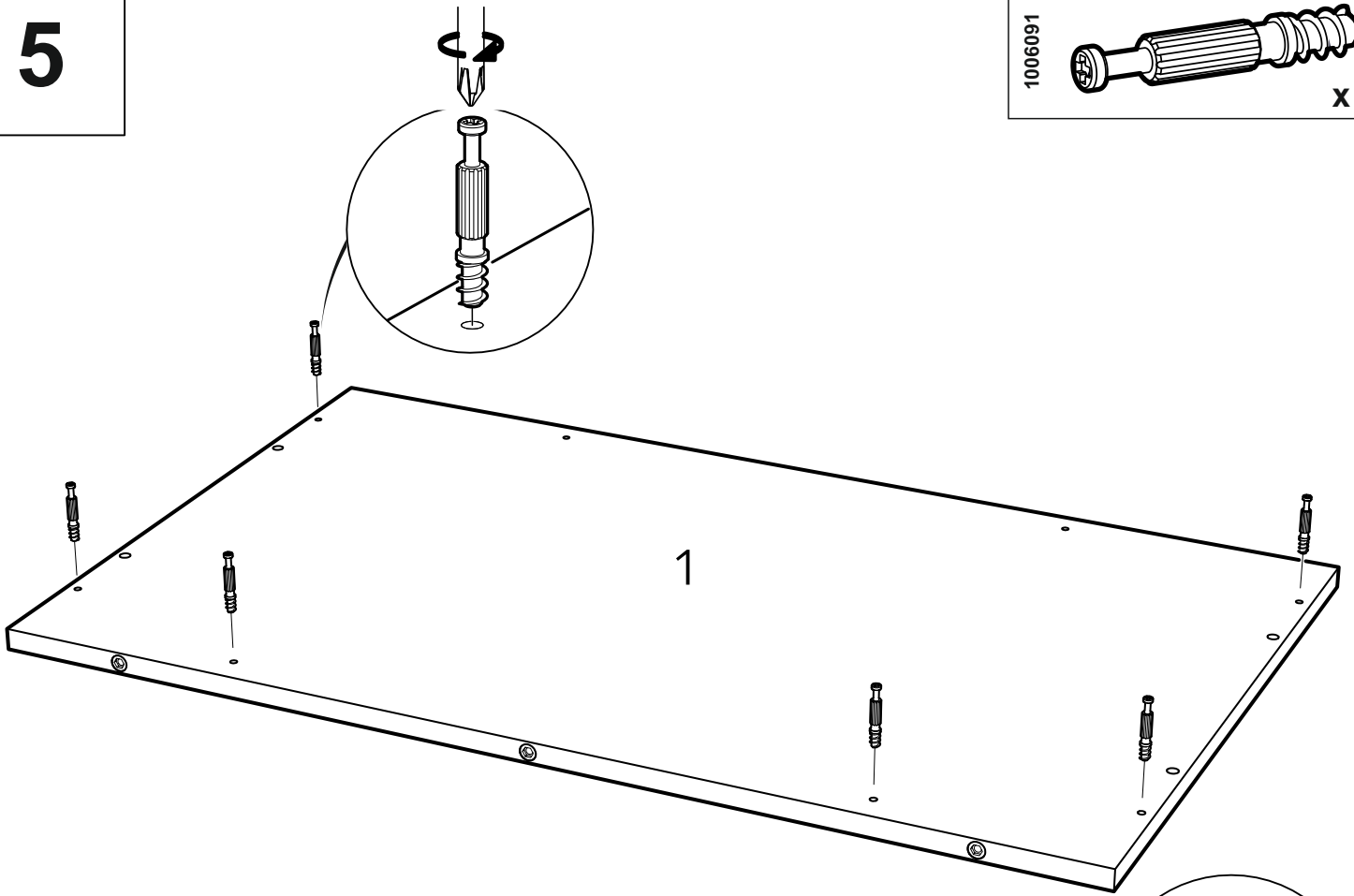


5

1066091



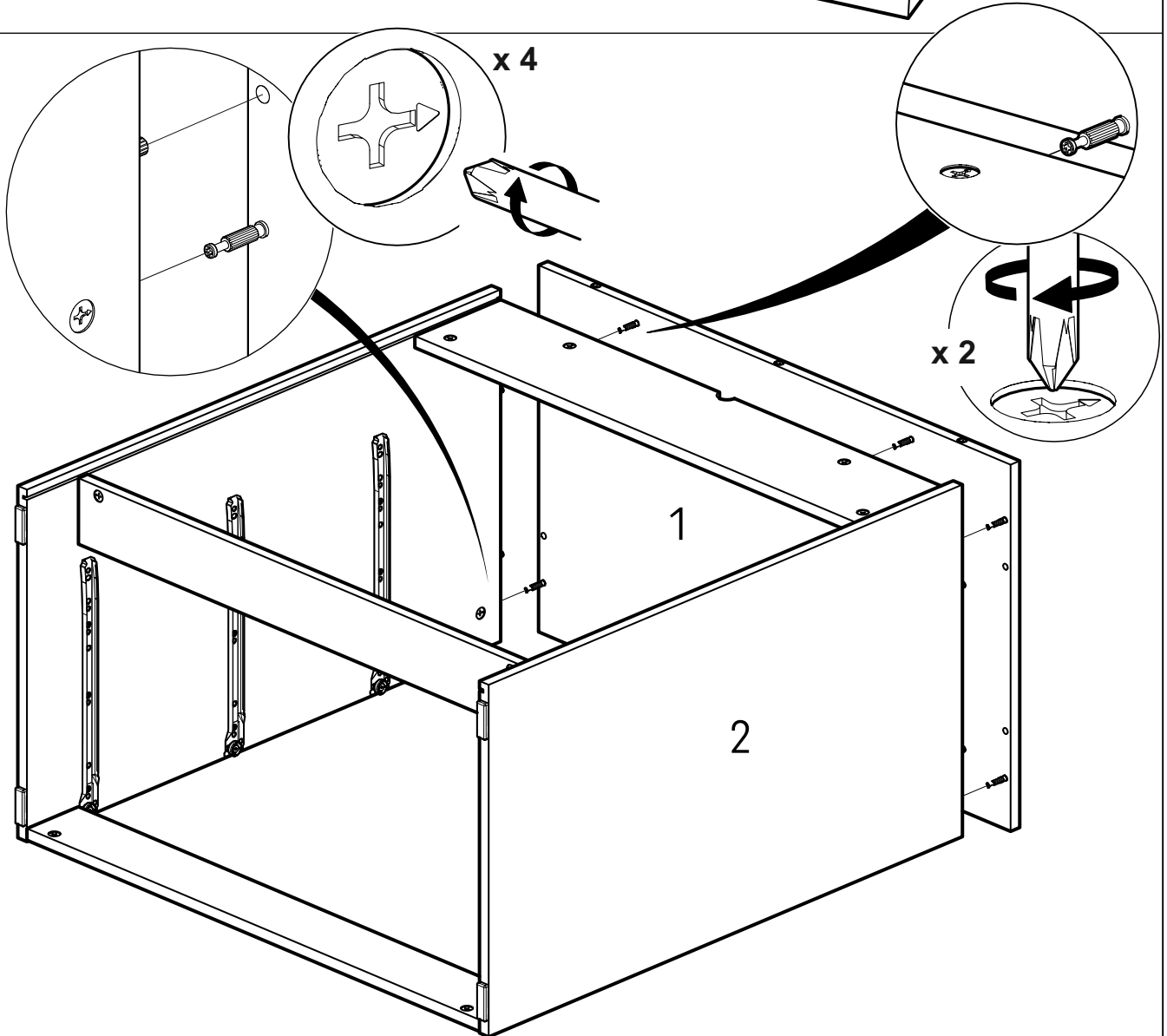
x 6



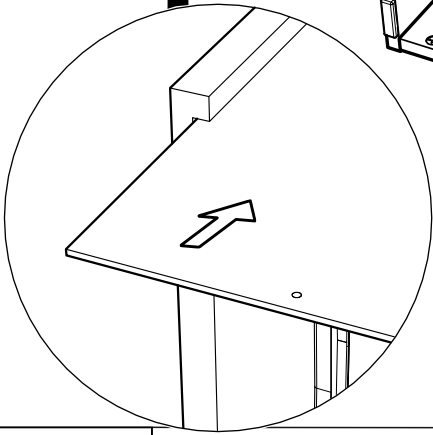
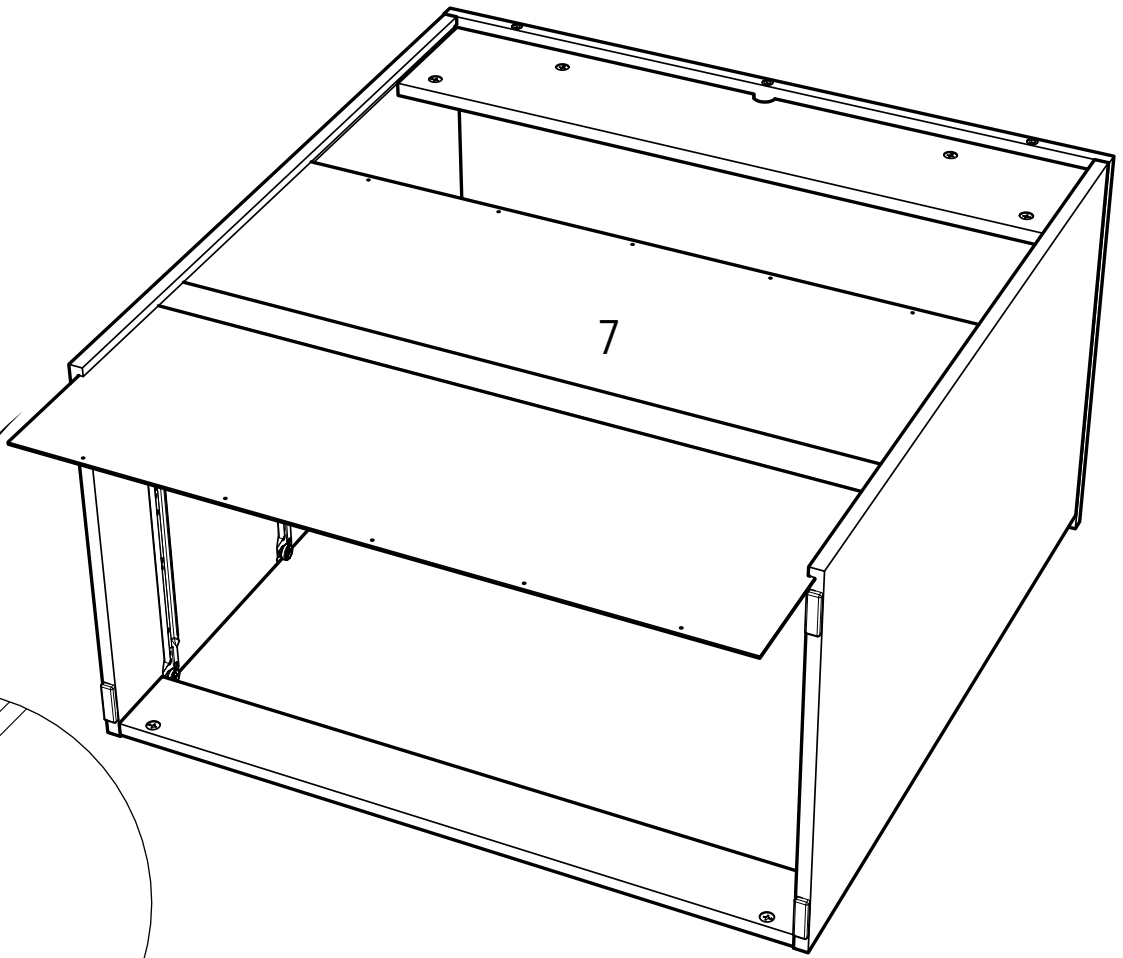
6

x 4

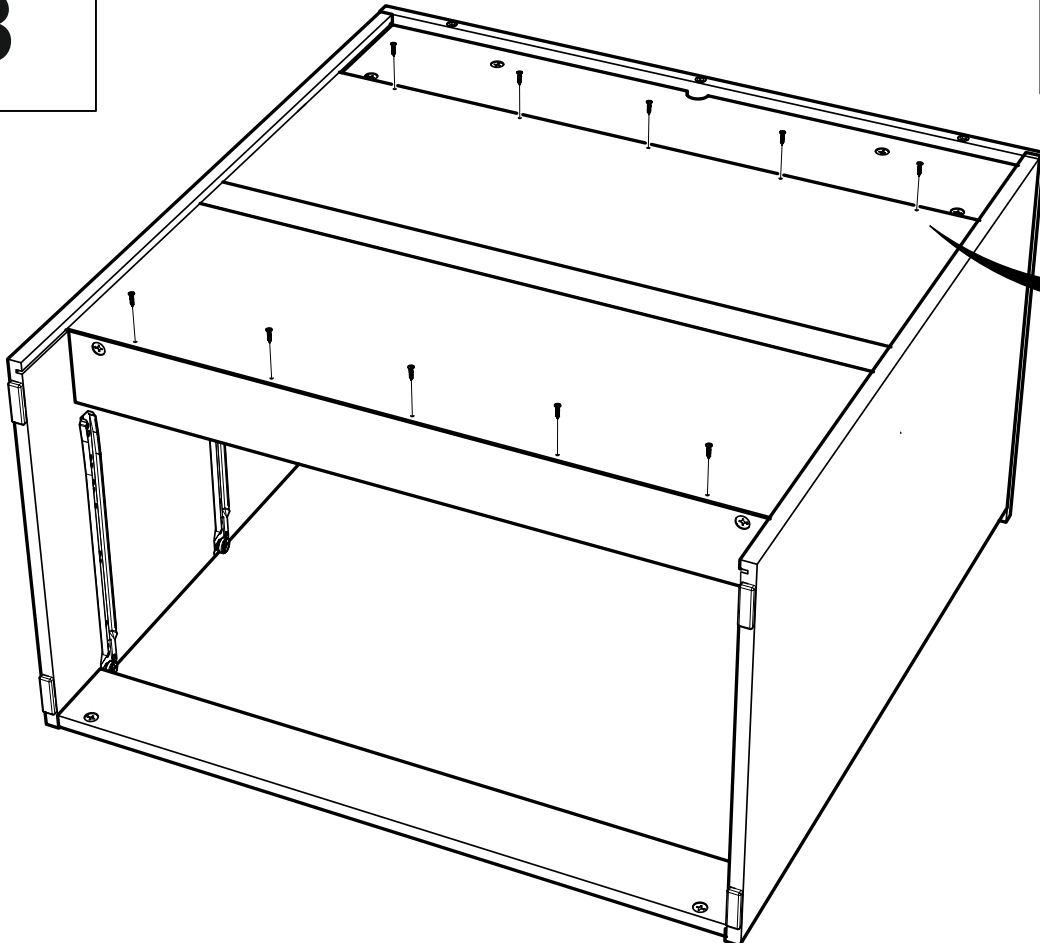
x 2



7



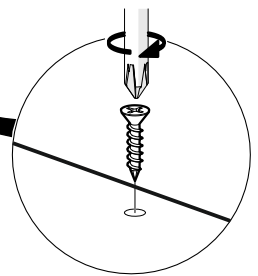
8



1006012

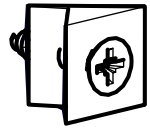


x 10

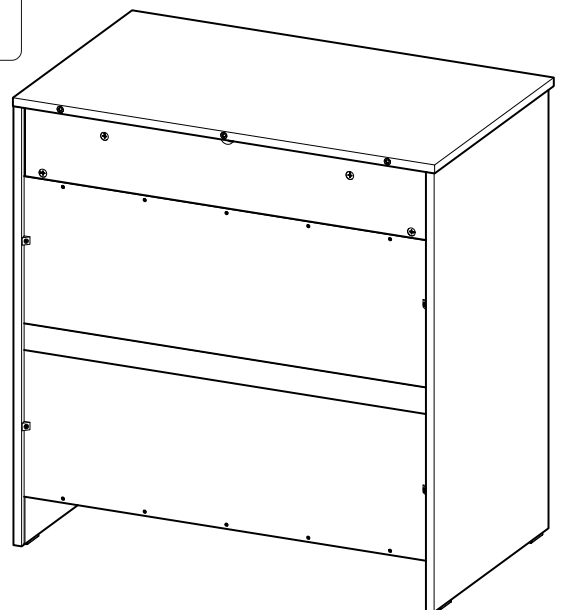
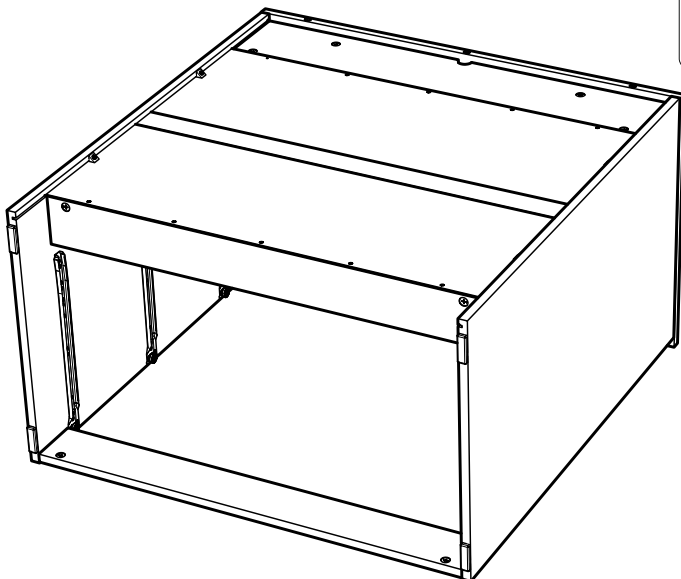
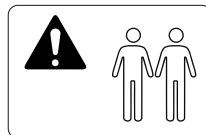
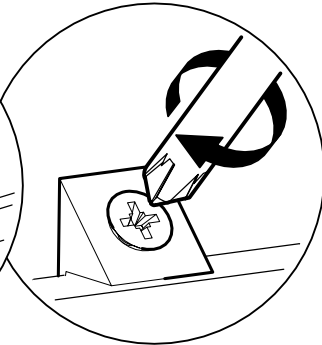
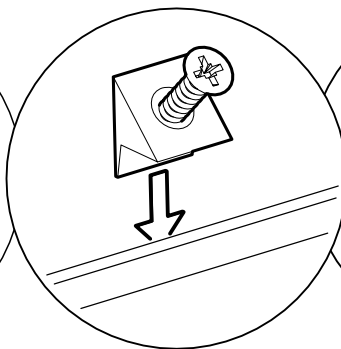
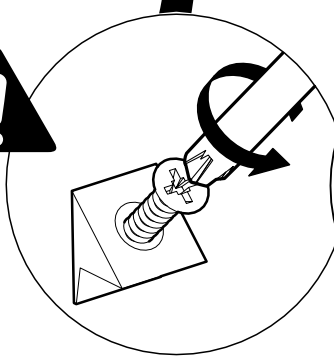
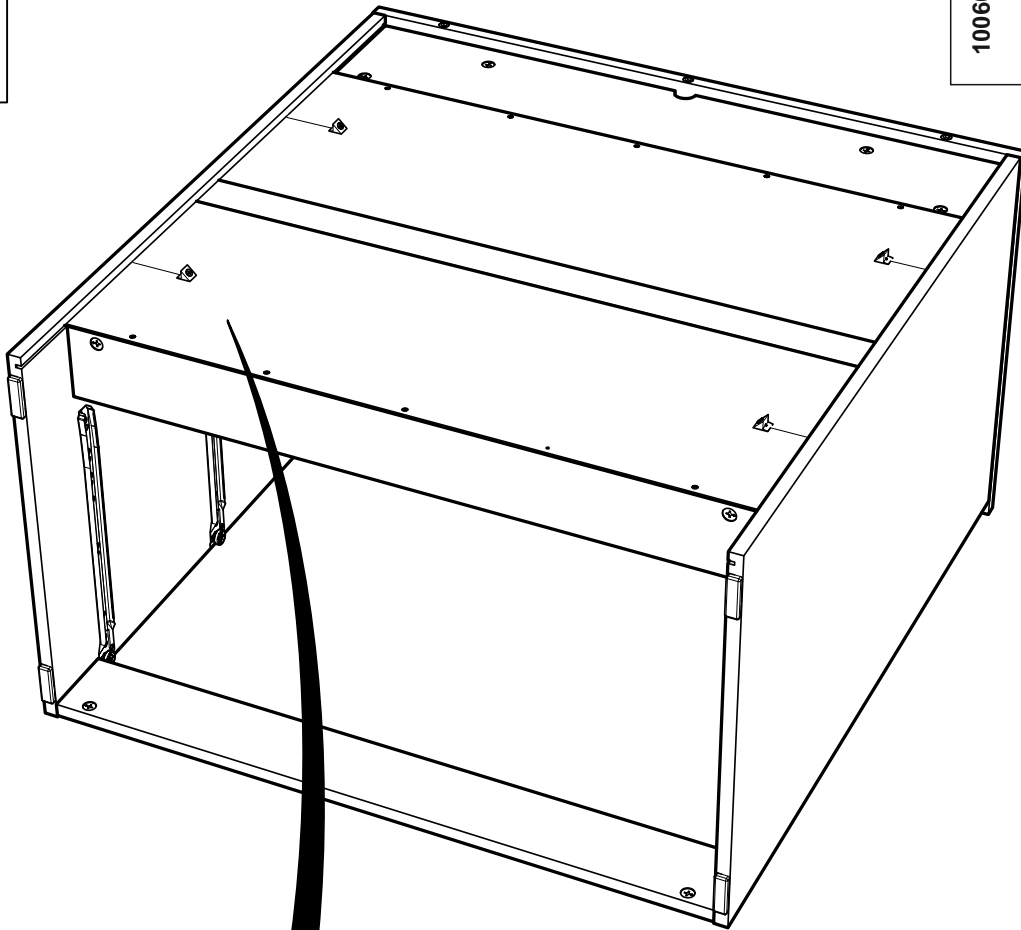


9

1006022

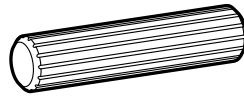


x 4



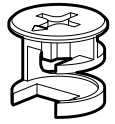
10

1005857

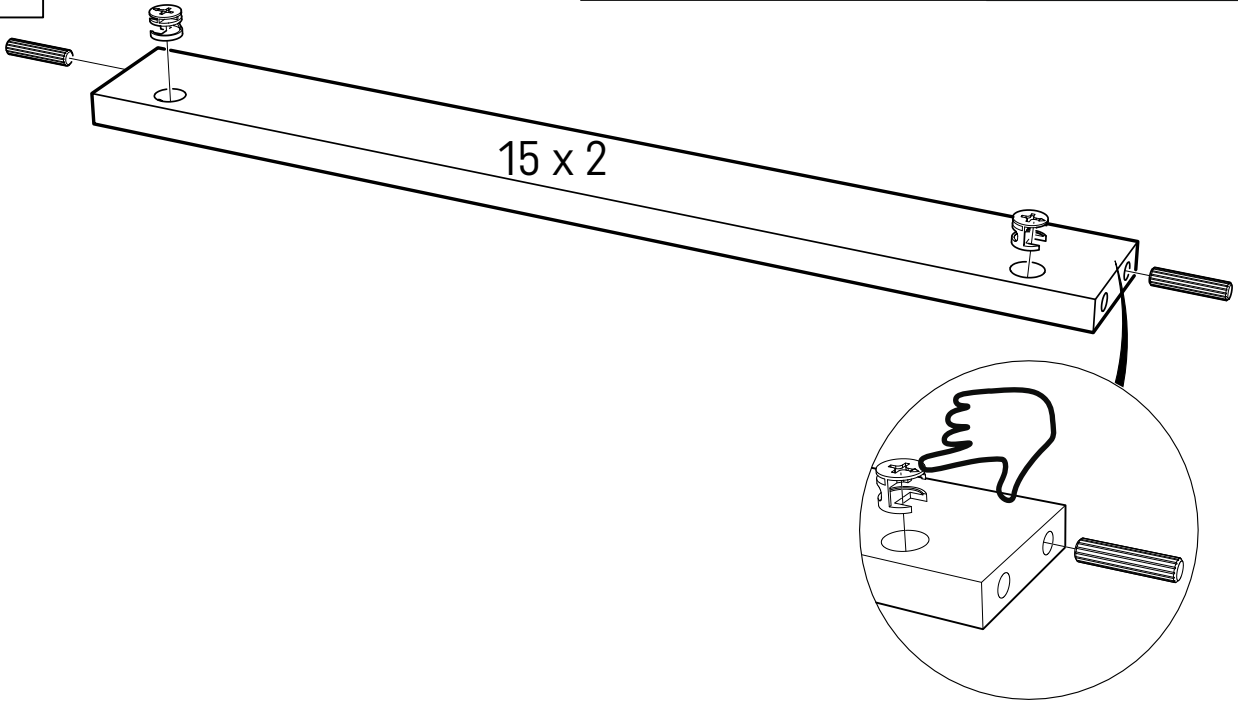


x 4

1005367

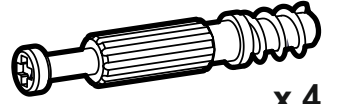


x 4

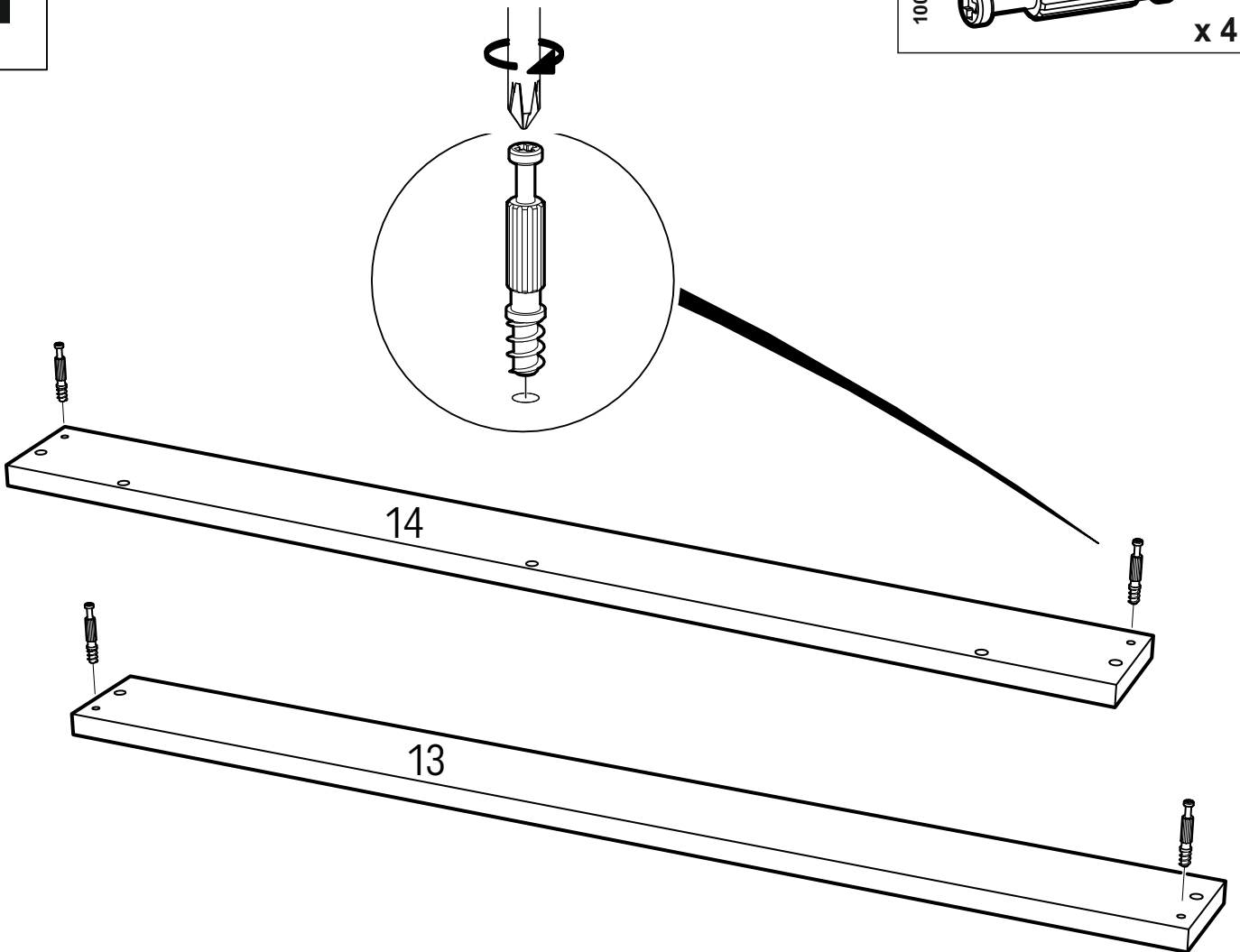


11

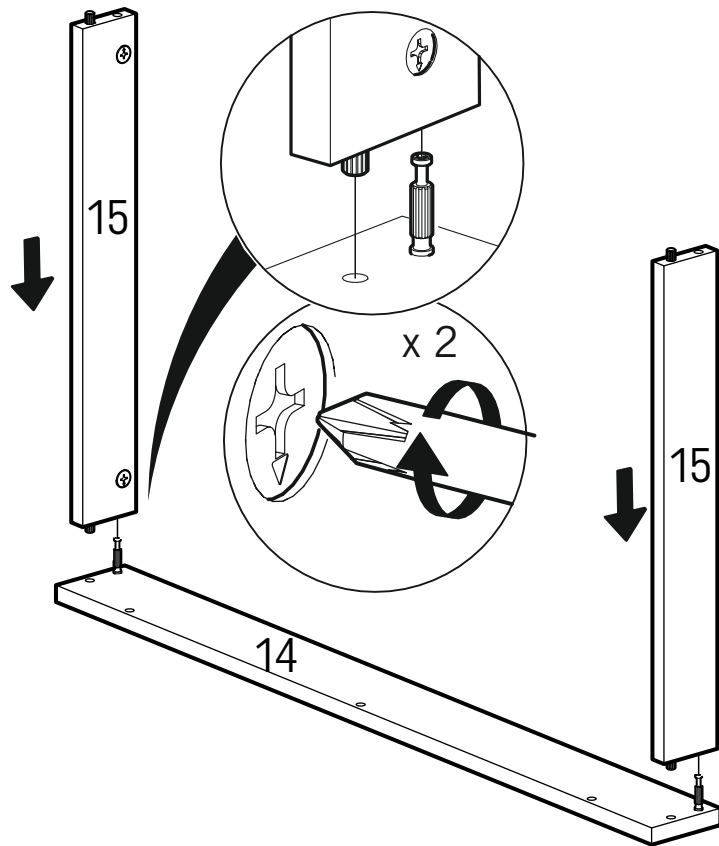
1006091



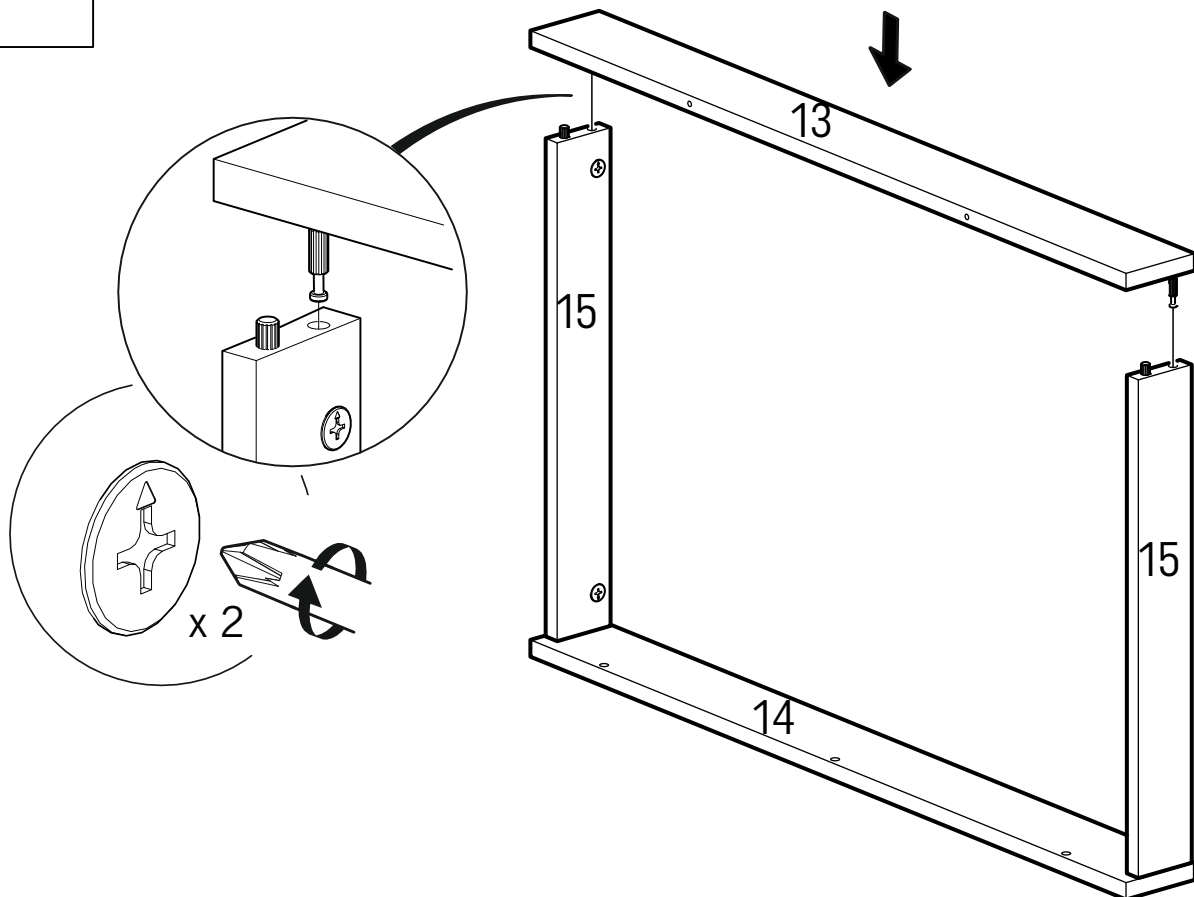
x 4



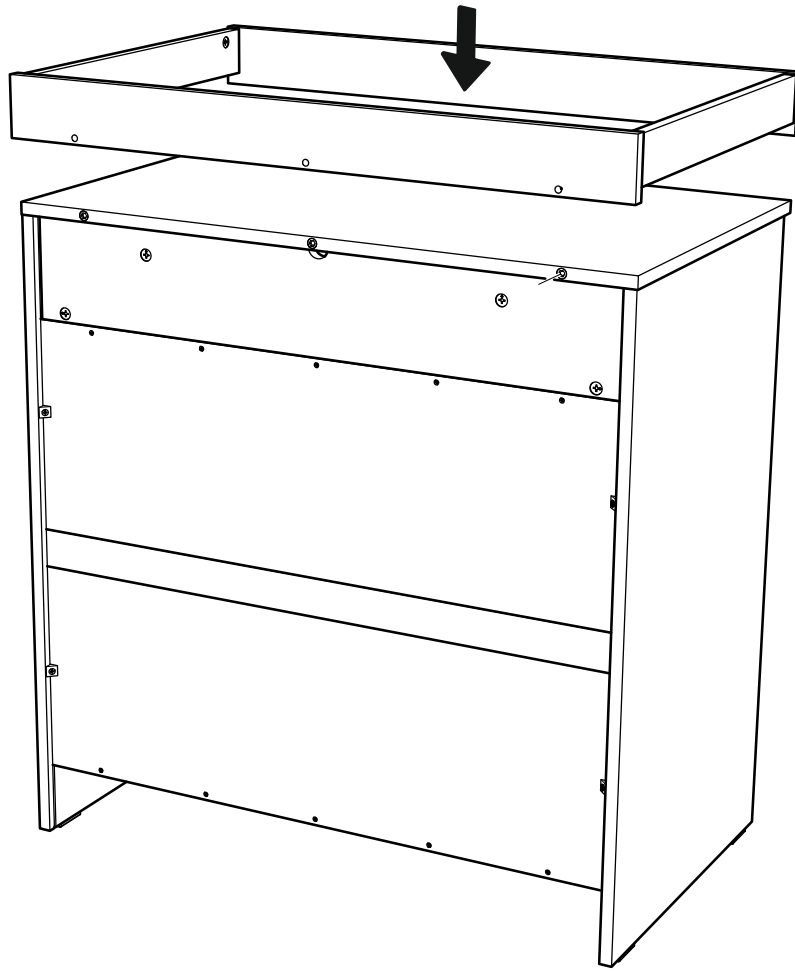
12



13

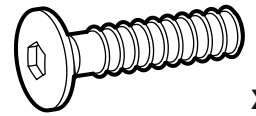


14

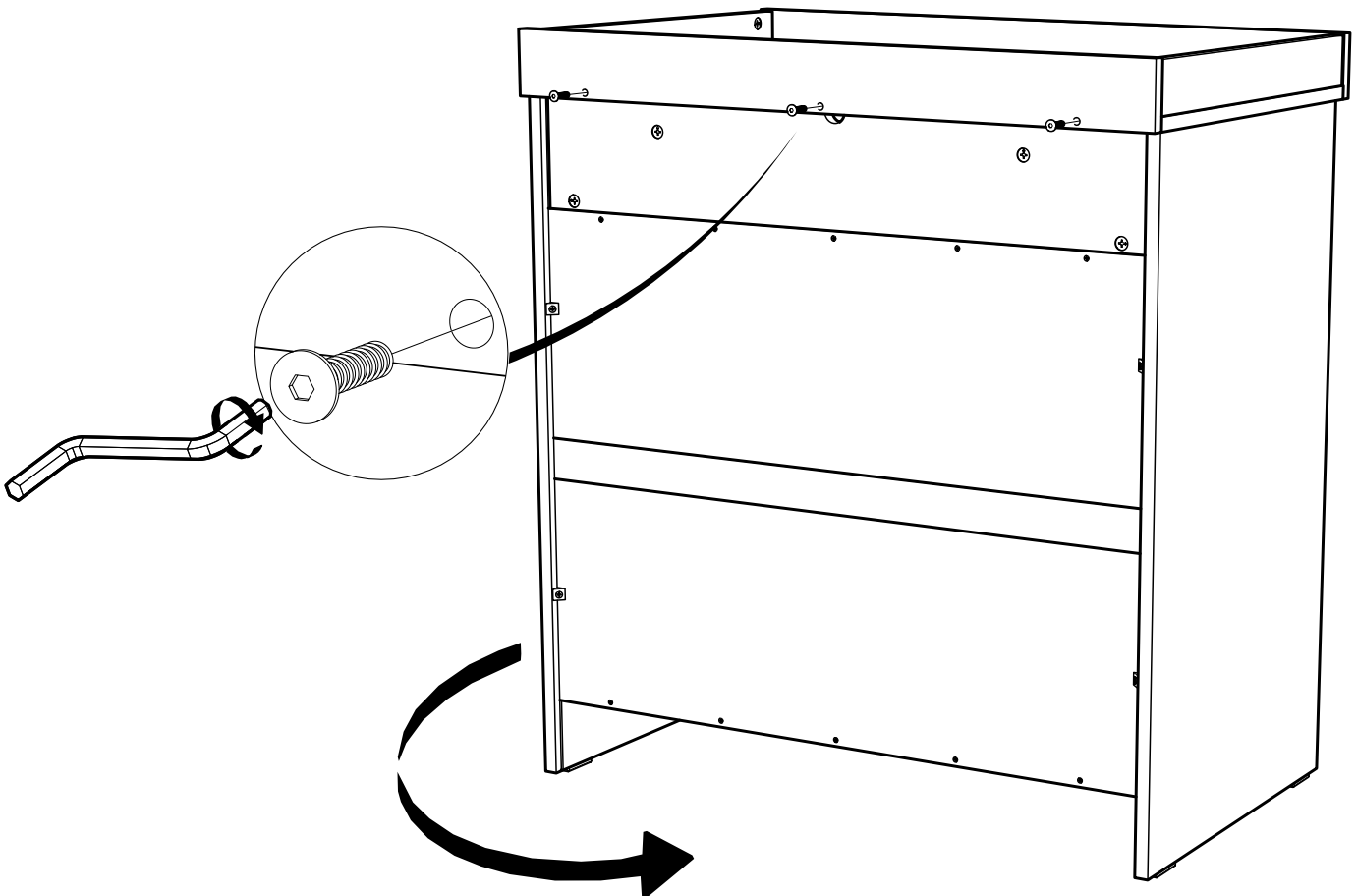


15

1005727

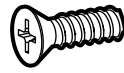


x 3



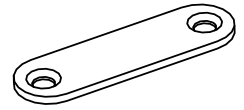
# 16

1115207

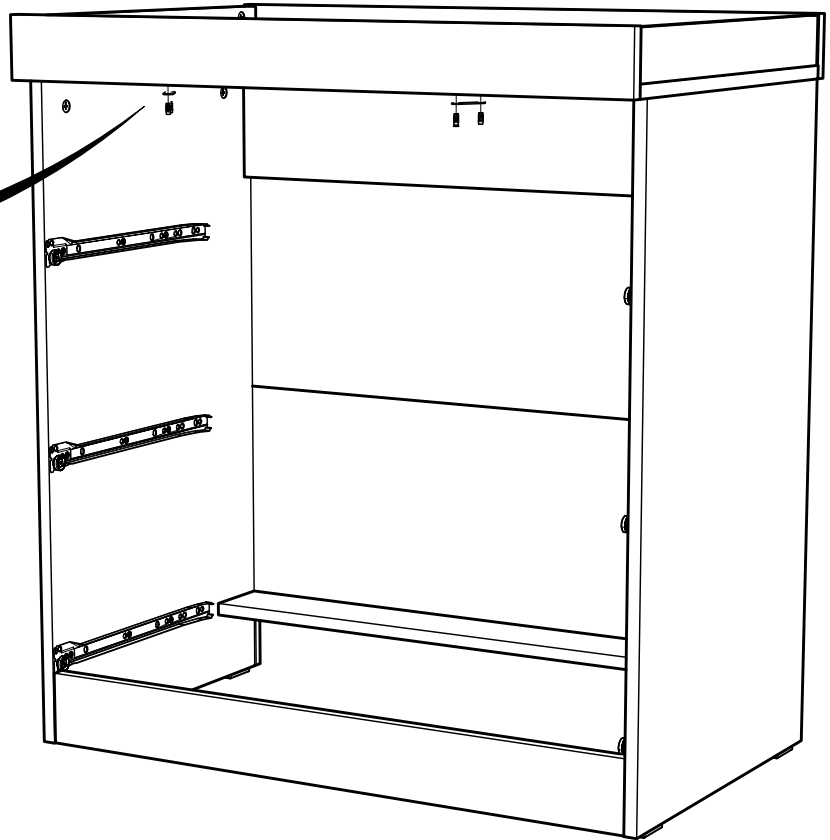
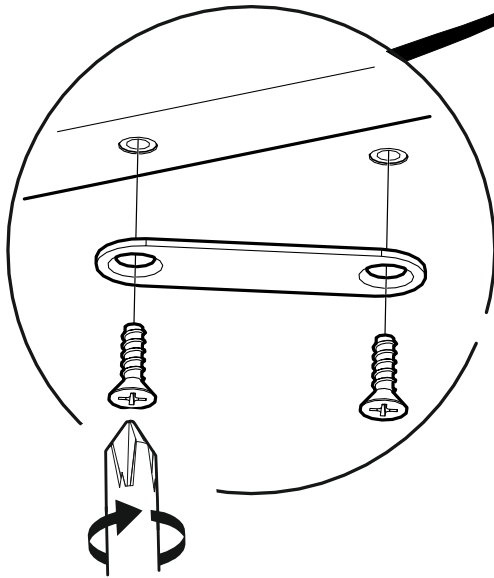


x 4

1001786

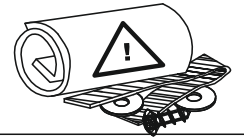


x 2



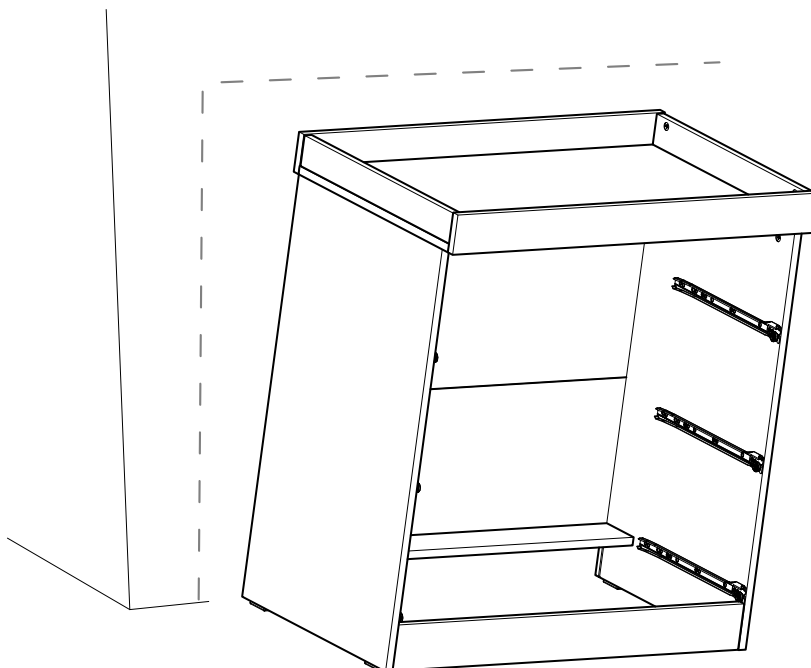
# 17

1000893

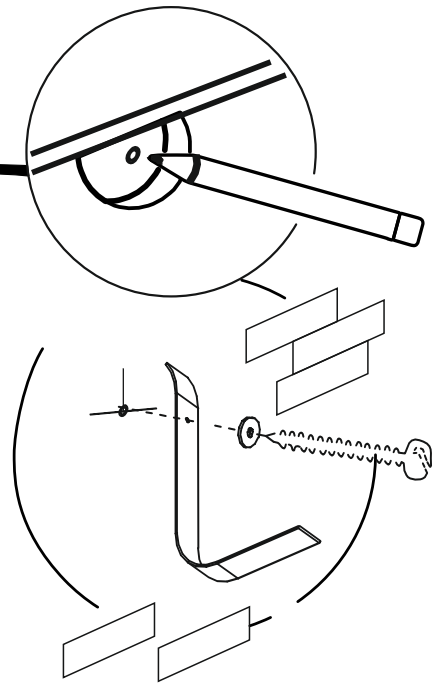
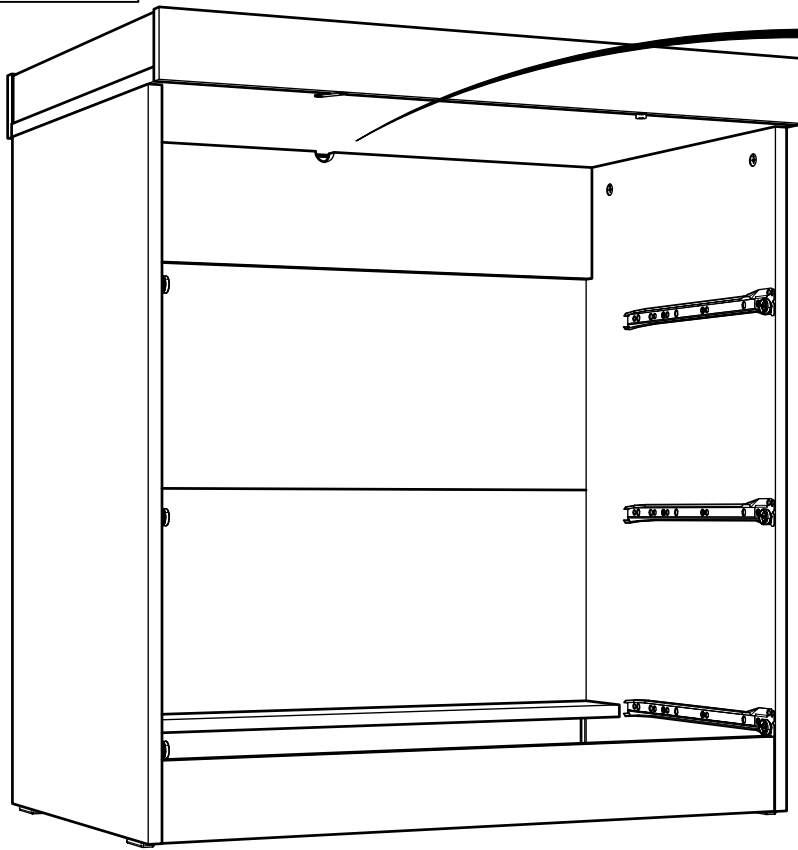


x 1

**ATTENTION!** Furniture shall be fixed to the wall to prevent it from falling over during the use. Fixing the furniture to the wall shall be carried out in accordance to instruction attached to the fitting

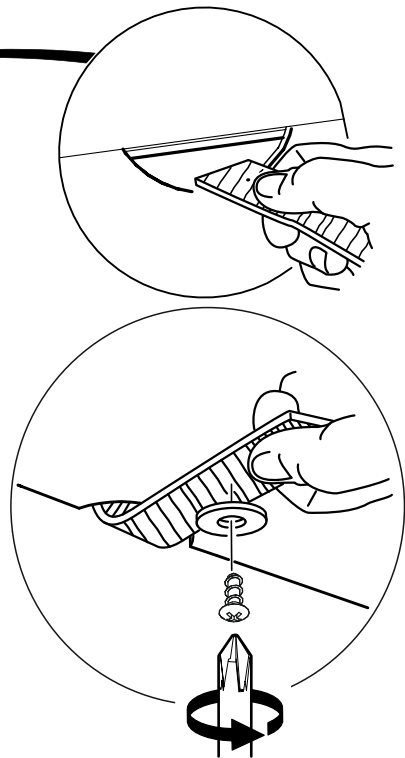
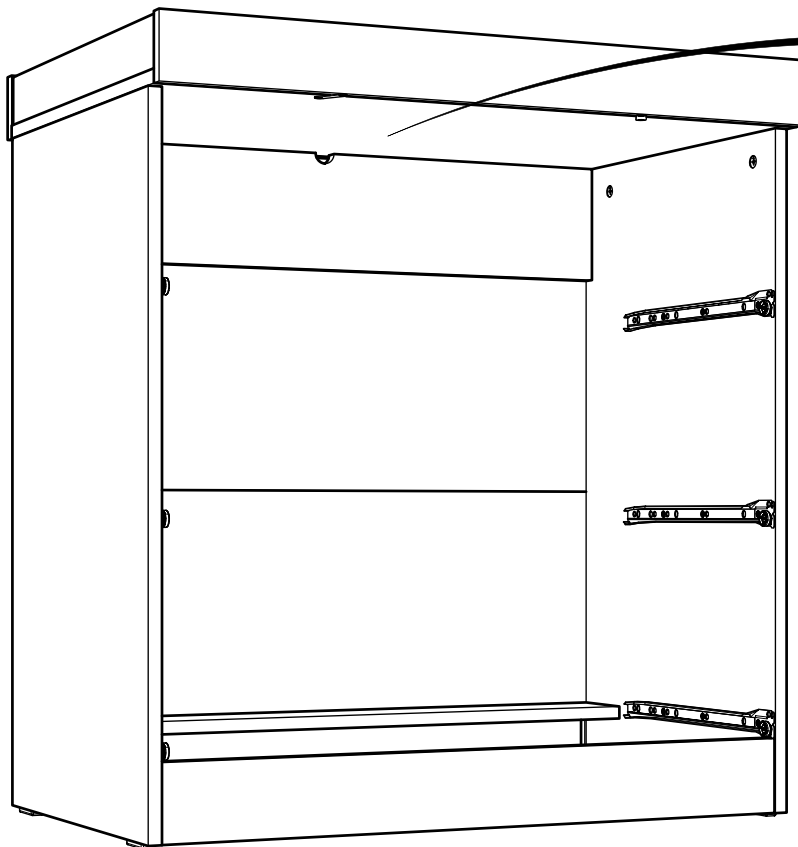


# 18



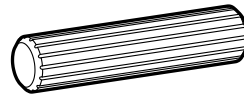
Appropriate fittings shall be chosen for slat assembly depending on wall kind. If you are not sure about the wall kind please consult it with an expert.

# 19



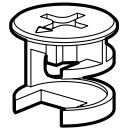
20

1005857

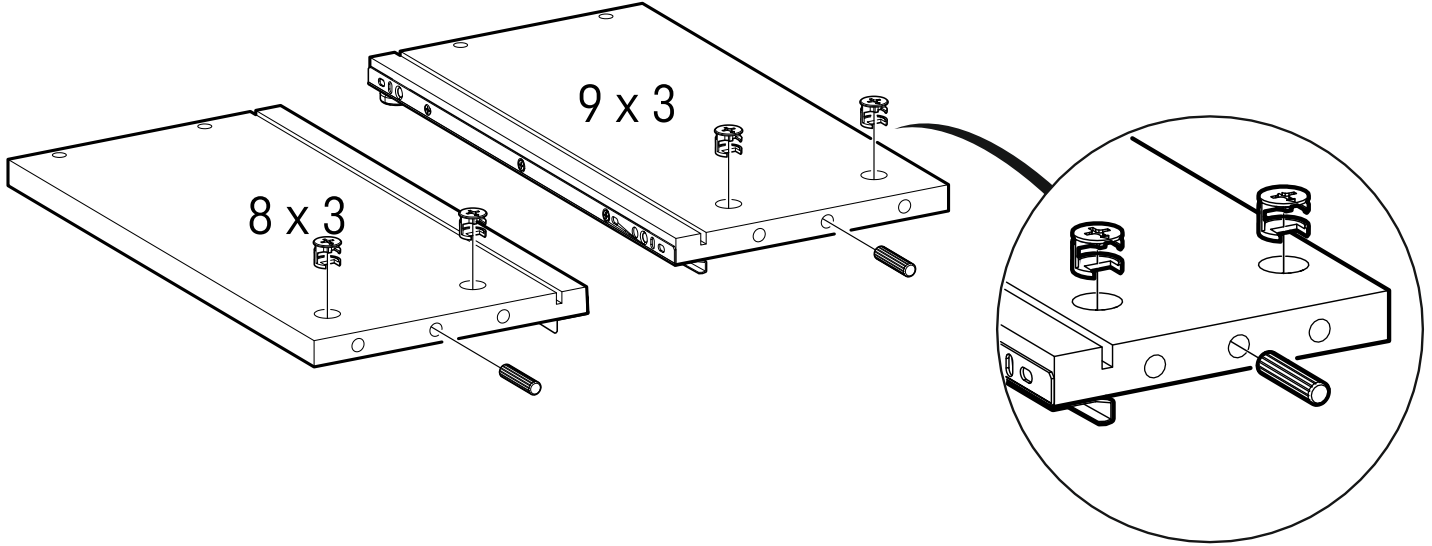


x 6

1005367

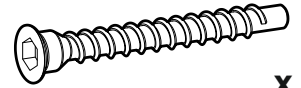


x 12

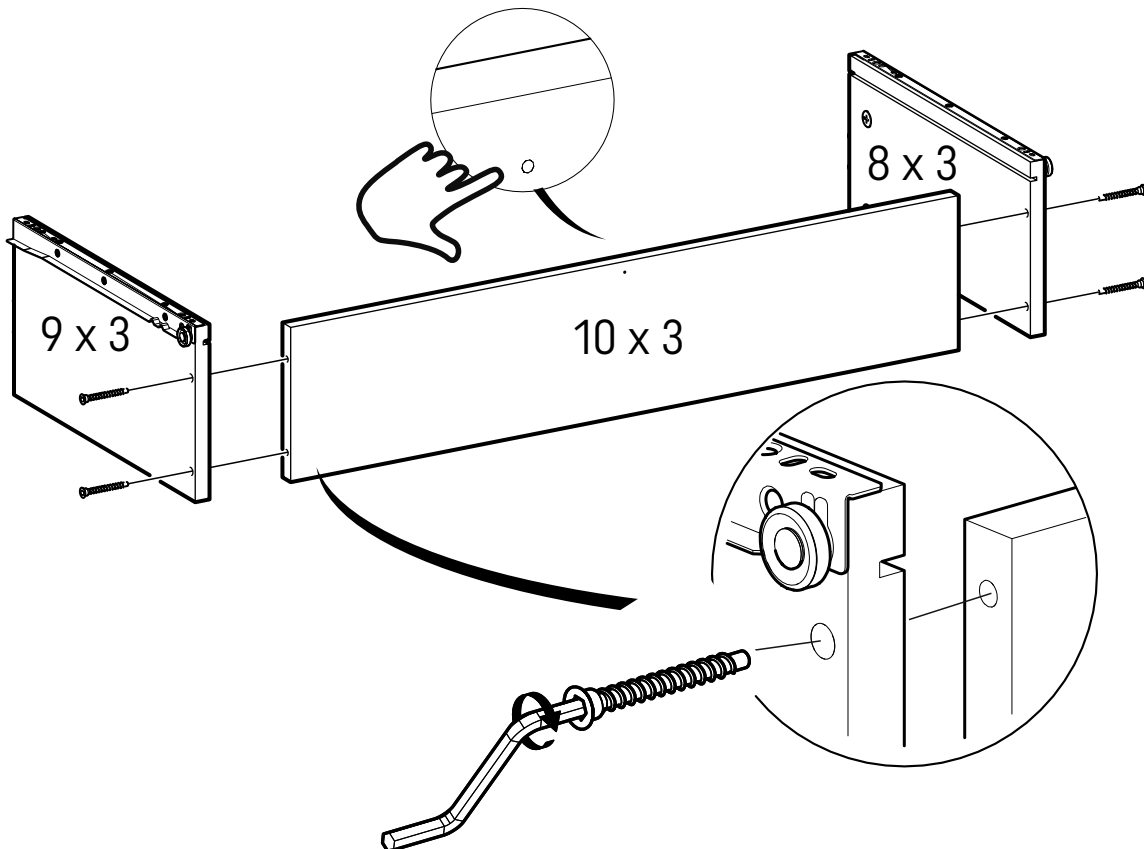


21

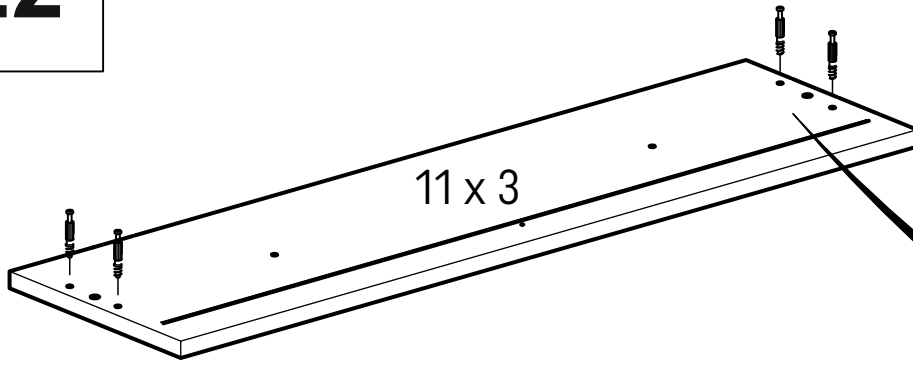
1005876



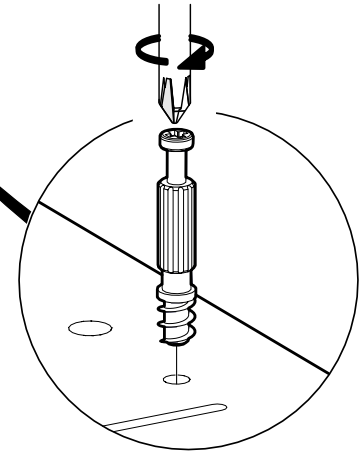
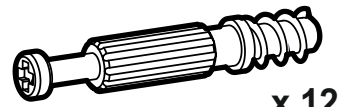
x 12



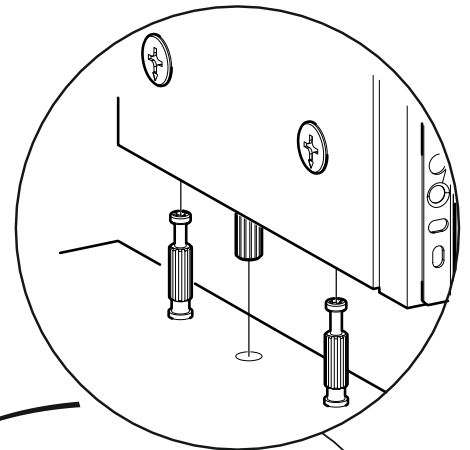
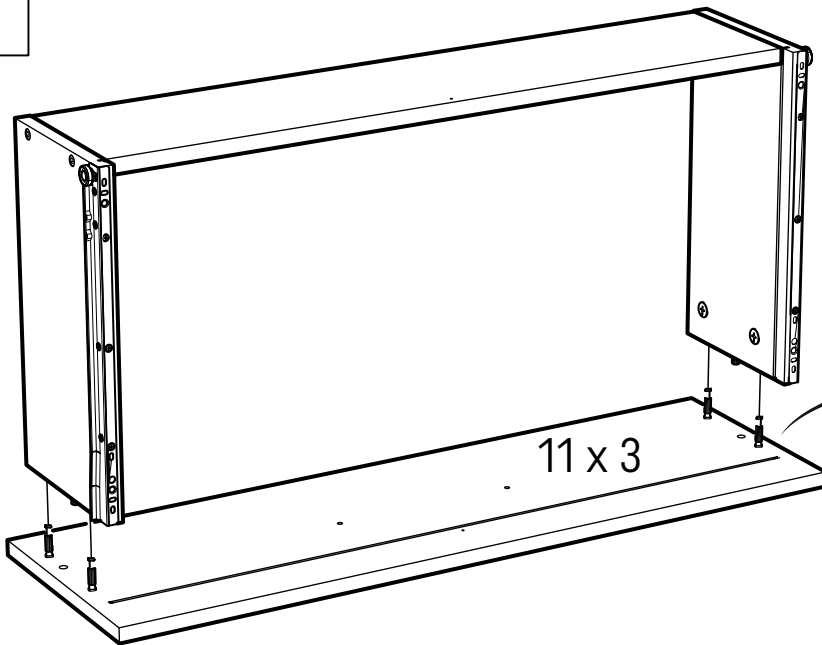
22



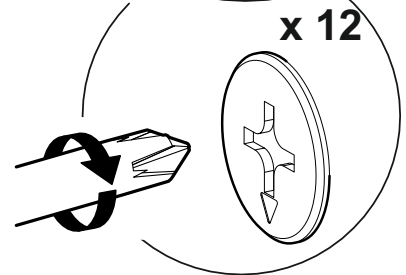
1006091



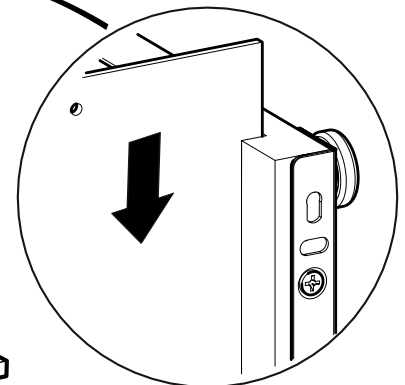
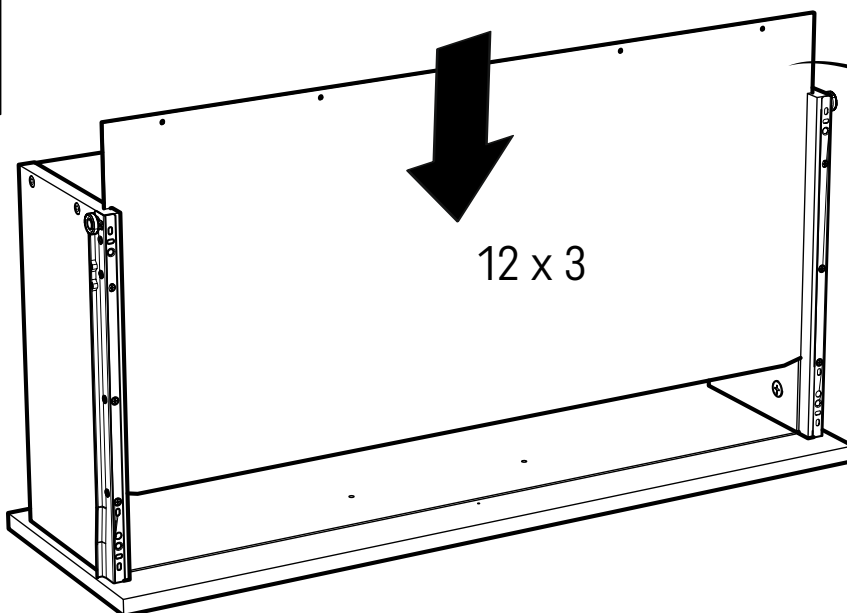
23



x 12



24

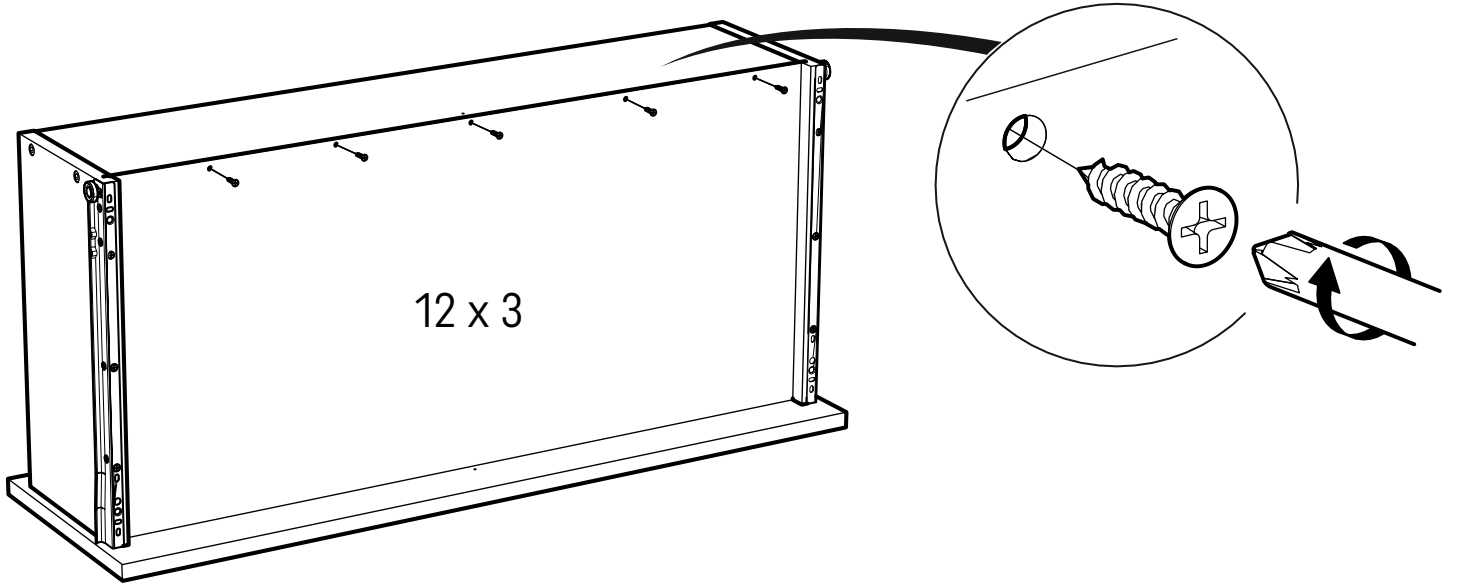


25

1006012



x 15



12 x 3

26

1006012

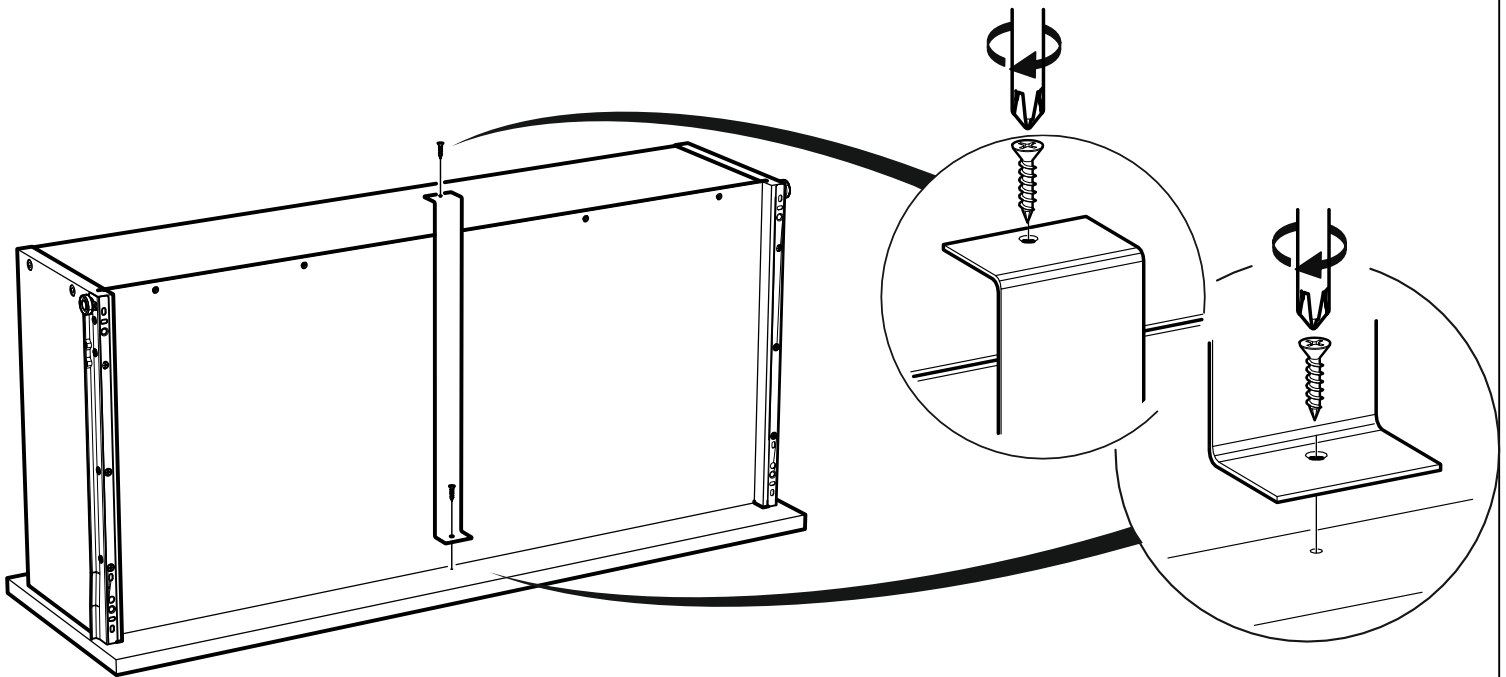


x 6

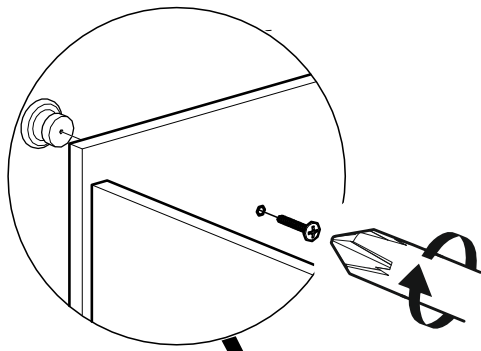
1002152



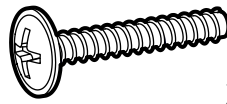
x 3



27

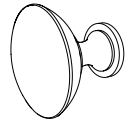


1005471

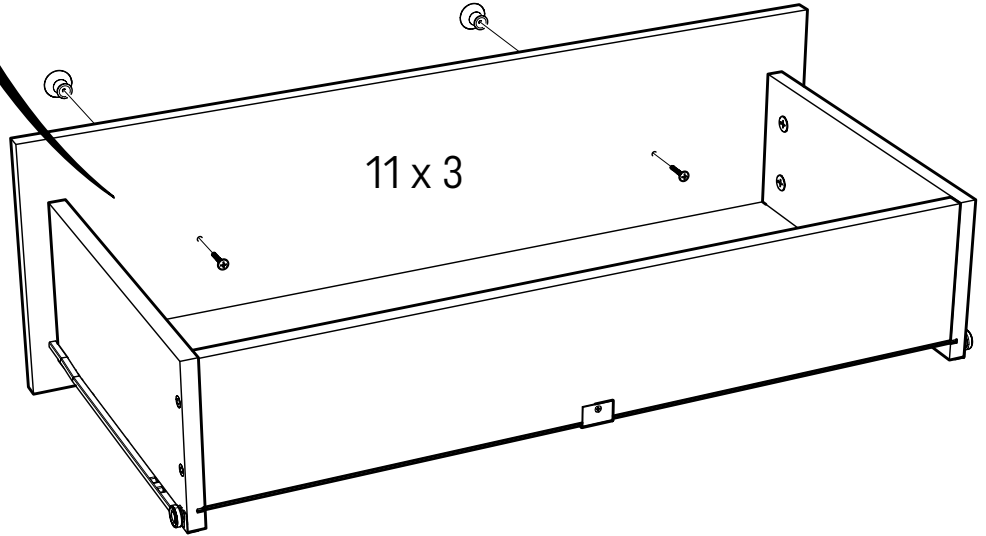


x 6

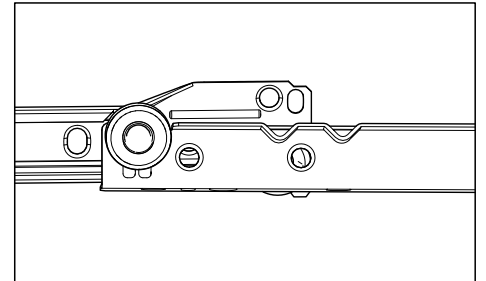
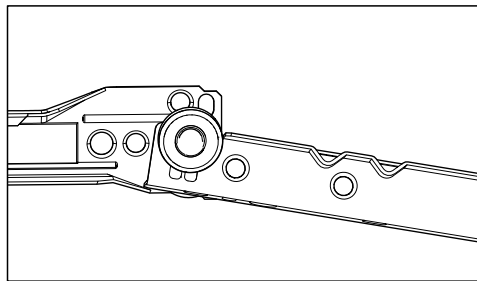
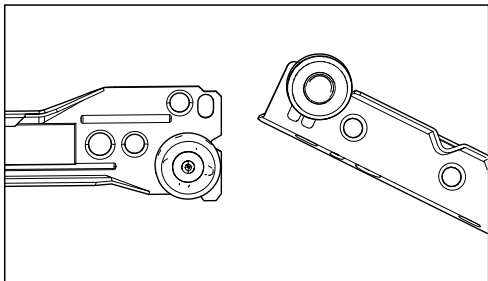
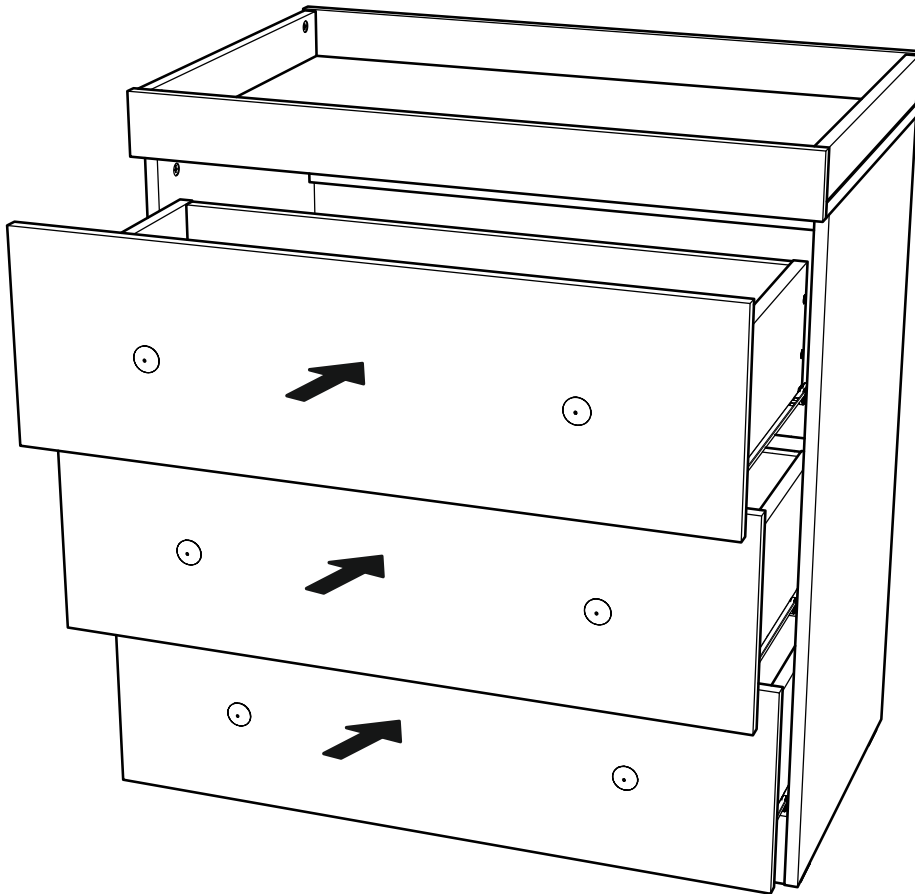
1127179

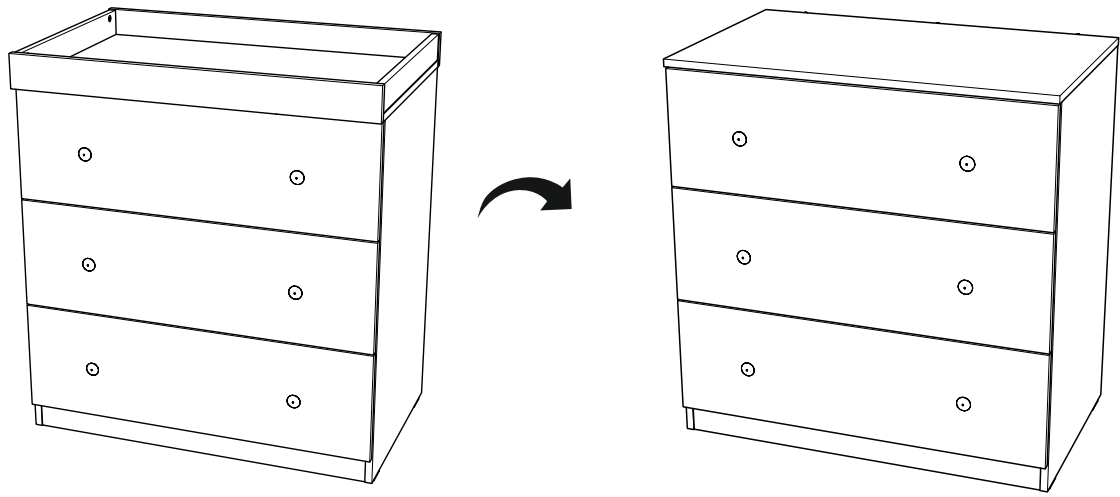


x 6

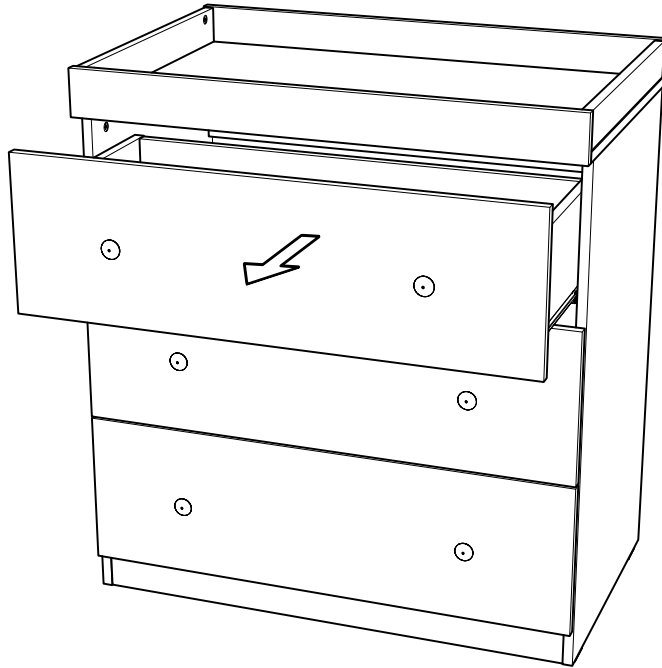


28

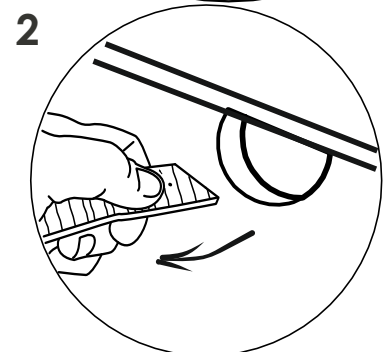
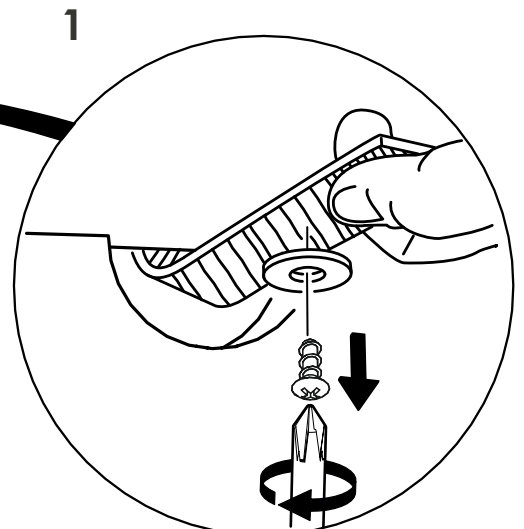
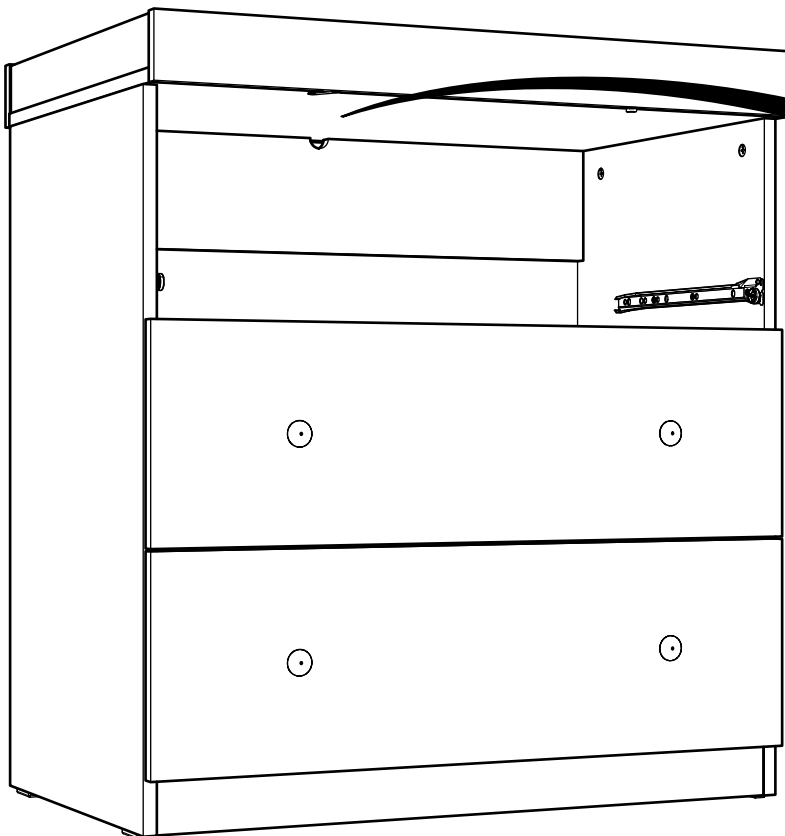




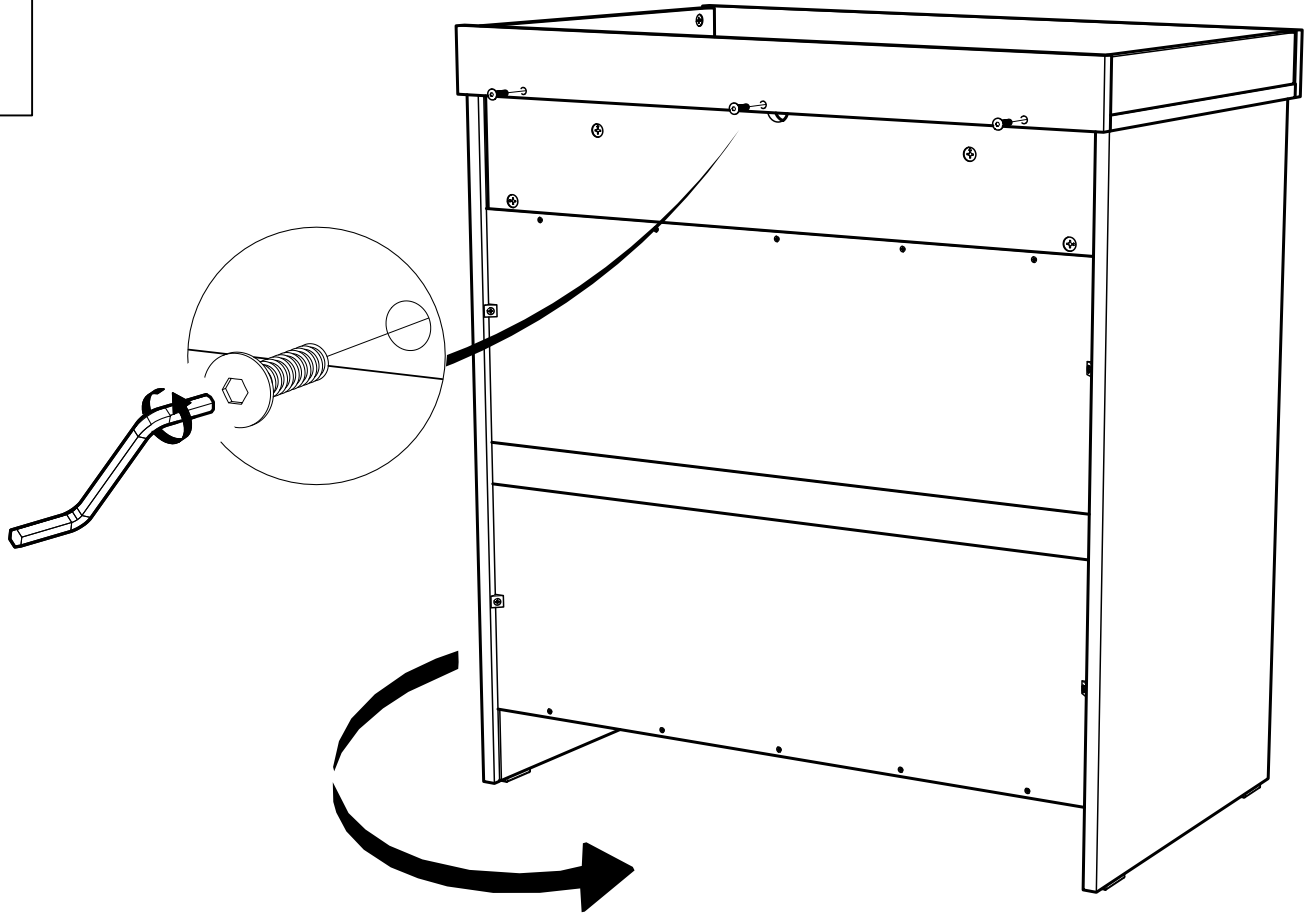
**29**



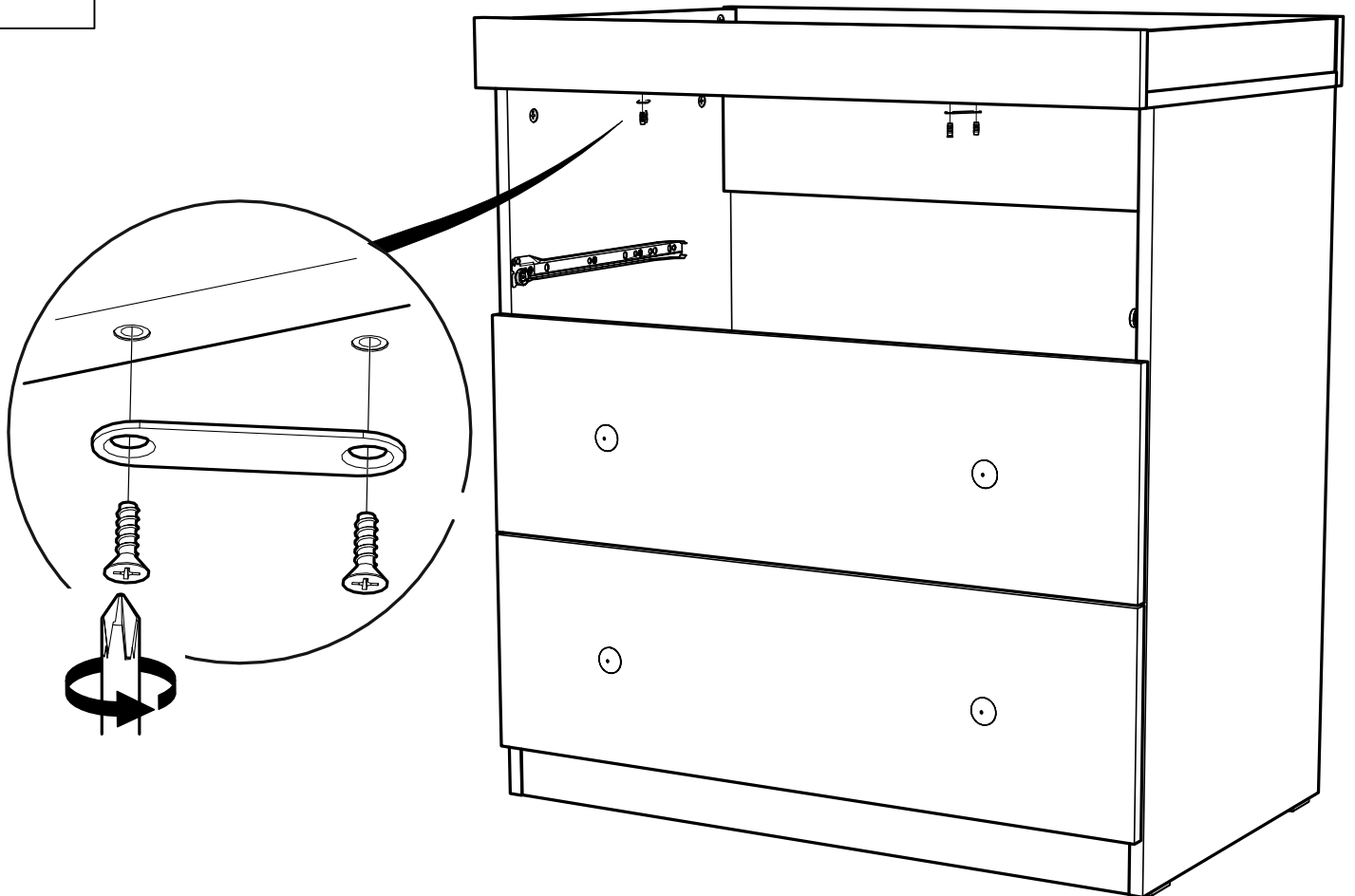
**30**



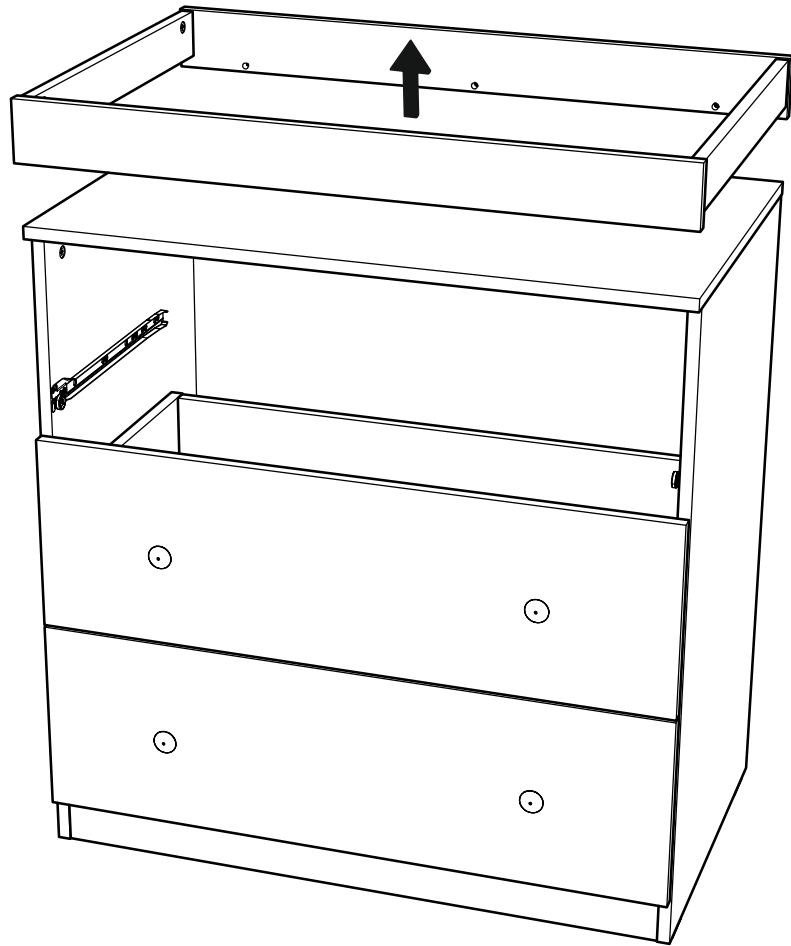
31



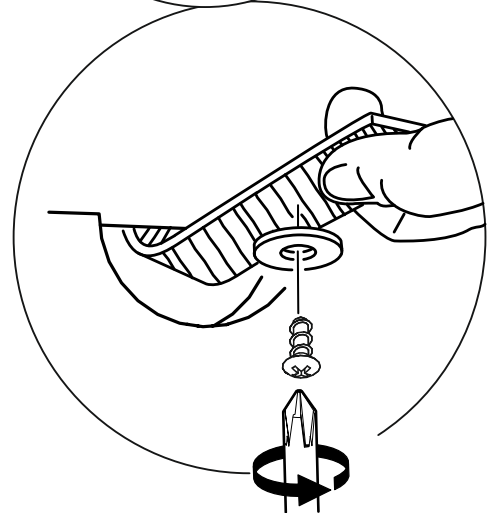
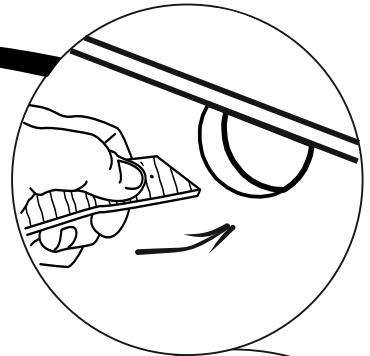
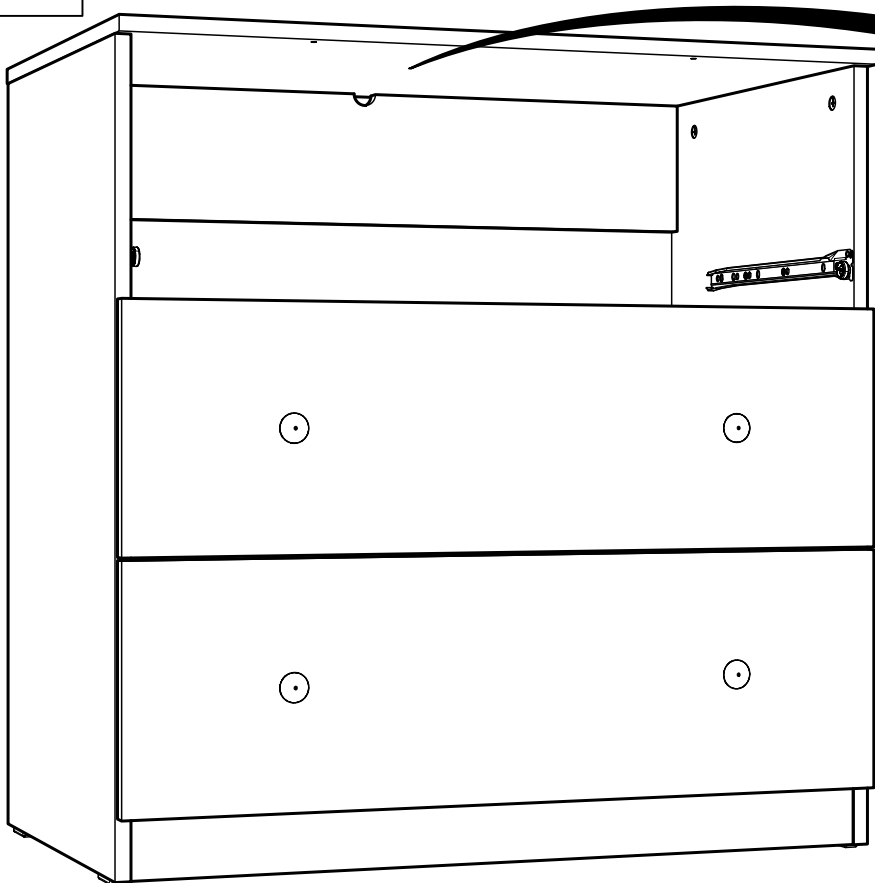
32



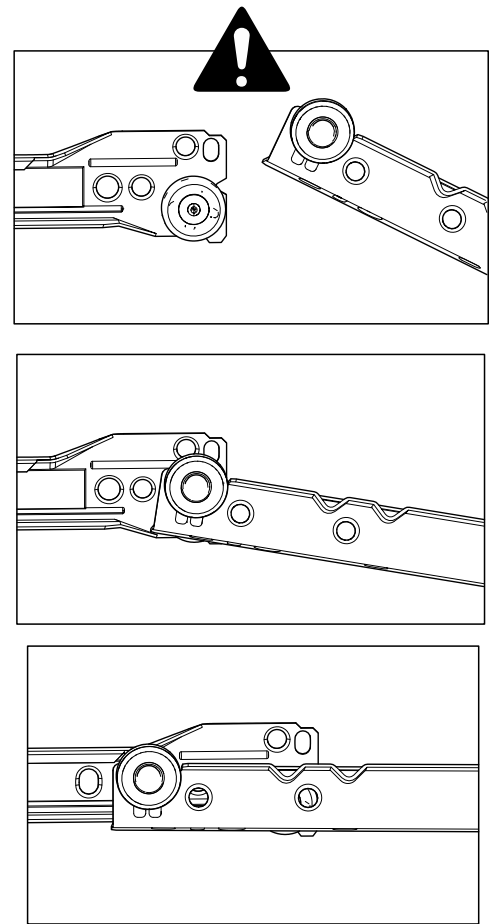
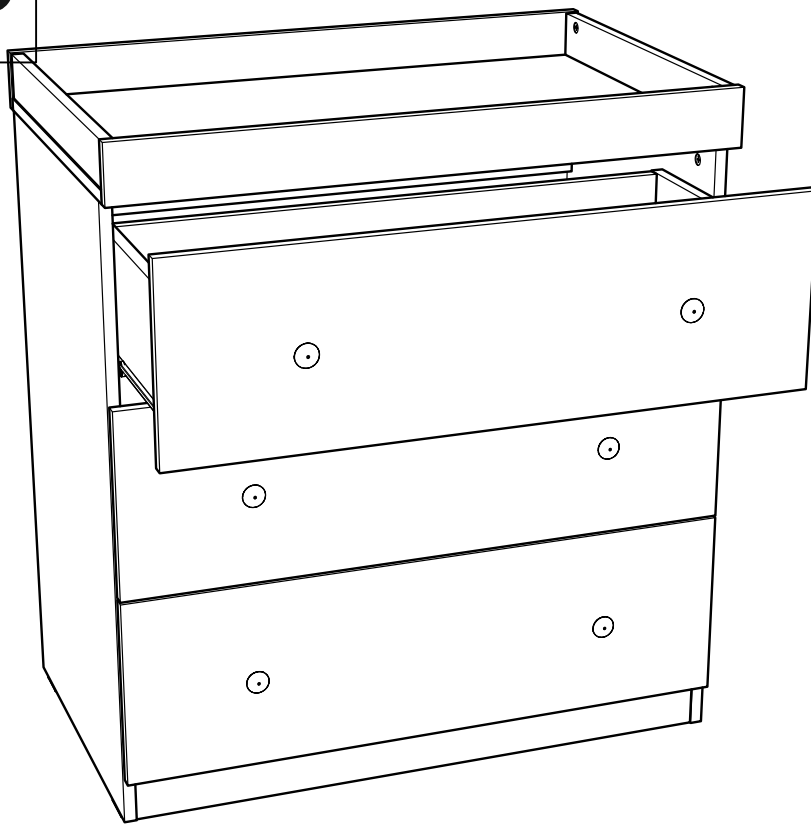
33



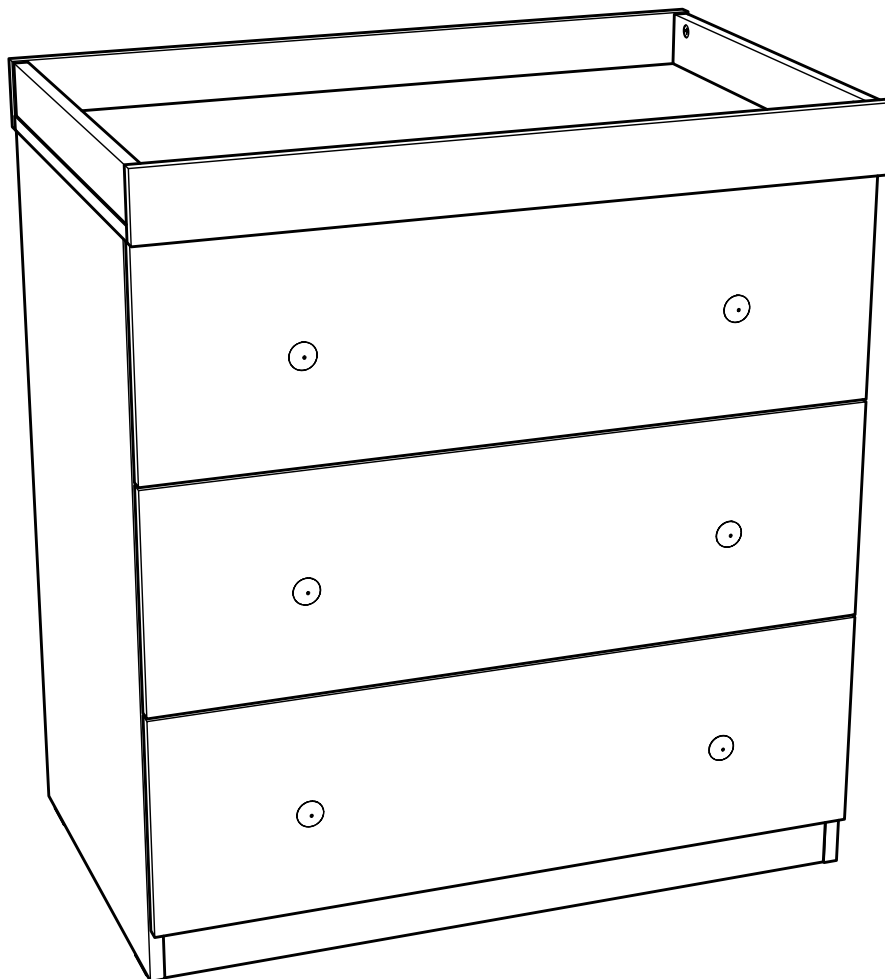
34



35



36



## Safety

---

**Warning:** Do not leave your child unattended.

Always use the wall attachment strap provided.

All assembly fixings should always be tightened properly. Care should be taken that no screws are loose because a child could trap parts of their body, or clothing (e.g. strings, necklaces, ribbons, dummies, etc.) which could pose a risk of strangulation.

Be aware of the risks of open fires and other such sources of strong heat, such as electric bar fires, gas fires, etc. in the near vicinity of the dresser.

Suitable for use with a changing mat of max size 79x78 cm.

The changing area is suitable for use up to 12 months old or 11kg in weight.

Do not use the dresser if any of the parts are broken, torn or missing.

Any additional or replacement parts can only be obtained from the manufacturer or the distributor.

ensure there are no small parts fittings are left after assembly as these can be a choking hazard.

This product conforms to: EN 12221-1:2008+A1:2013

## Maintenance

---

Take care when handling or moving the furniture. Careless handling may cause damage.

Regularly check that all fixings are tightened and that there are no broken or damaged parts.

## Cleaning

---

Your dresser can be cleaned by wiping with a damp cloth and drying with a soft clean cloth. Do not use abrasives, bleach, alcohol or ammonia based household polishes.

---

Little Acorns

01952460696 and address:

The Malthouse,

Sheriffhales, Shifnal.

Shropshire TF11 8RD