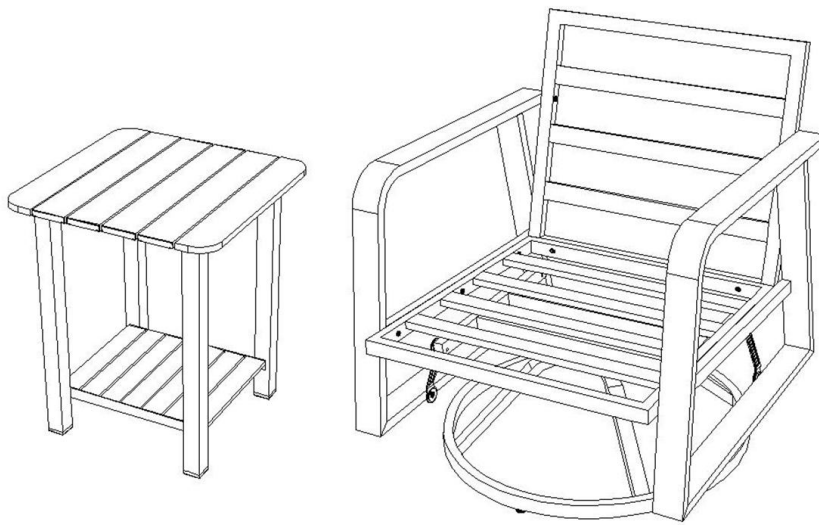


ASSEMBLY GUIDE

SWIVEL CHAIR & SIDE TABLE ASSEMBLY GUIDE



NOTICE



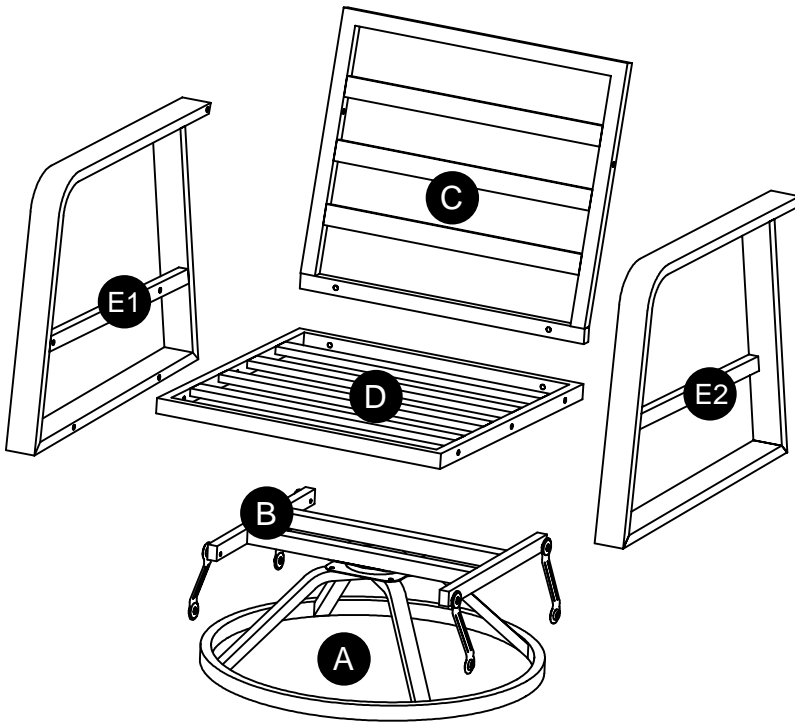
Please Read Carefully Before Installation

Dear customer, thank you very much for your support!

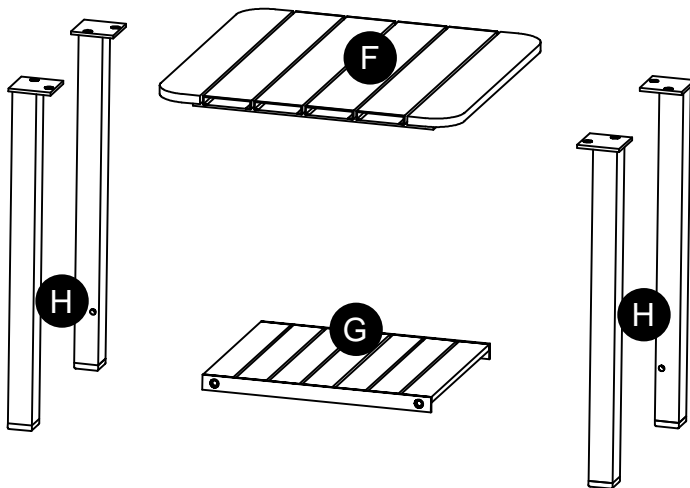
If you have purchased a patio conversation set, the packages may arrive at different times. For detailed tracking information, please contact us.

PARTS LIST

(Swivel Chair & Side Table)



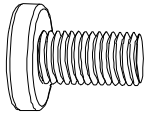
- Ⓐ Chair Base x1
- Ⓑ U-shaped Fitting x1
- Ⓒ Chair Back x1
- Ⓓ Seat Panel x1
- Ⓔ Right Arm x1
(when seated)
- Ⓕ Left Arm x1
(when seated)



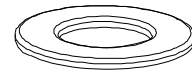
- Ⓕ Table Top x1
- Ⓖ Table Tray x1
- Ⓗ Table Leg x4

PARTS LIST

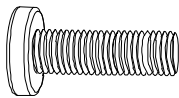
(Swivel Chair & Side Table)



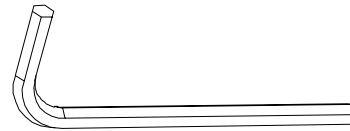
I
Screw (M6x15mm)



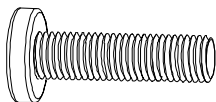
M
Metal Washers



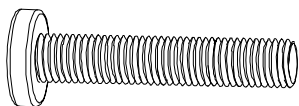
J
Screw (M6x28mm)



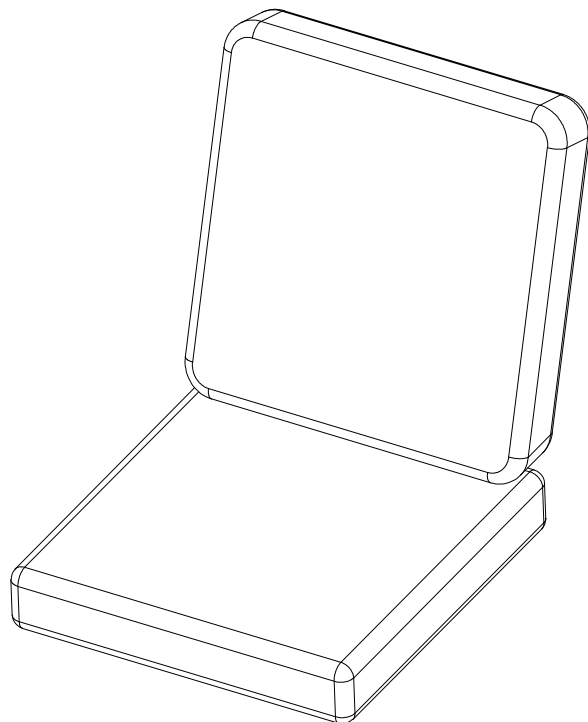
N
Allan Wrench x1



K
Screw (M6x35mm)



L
Screw (M6x45mm)

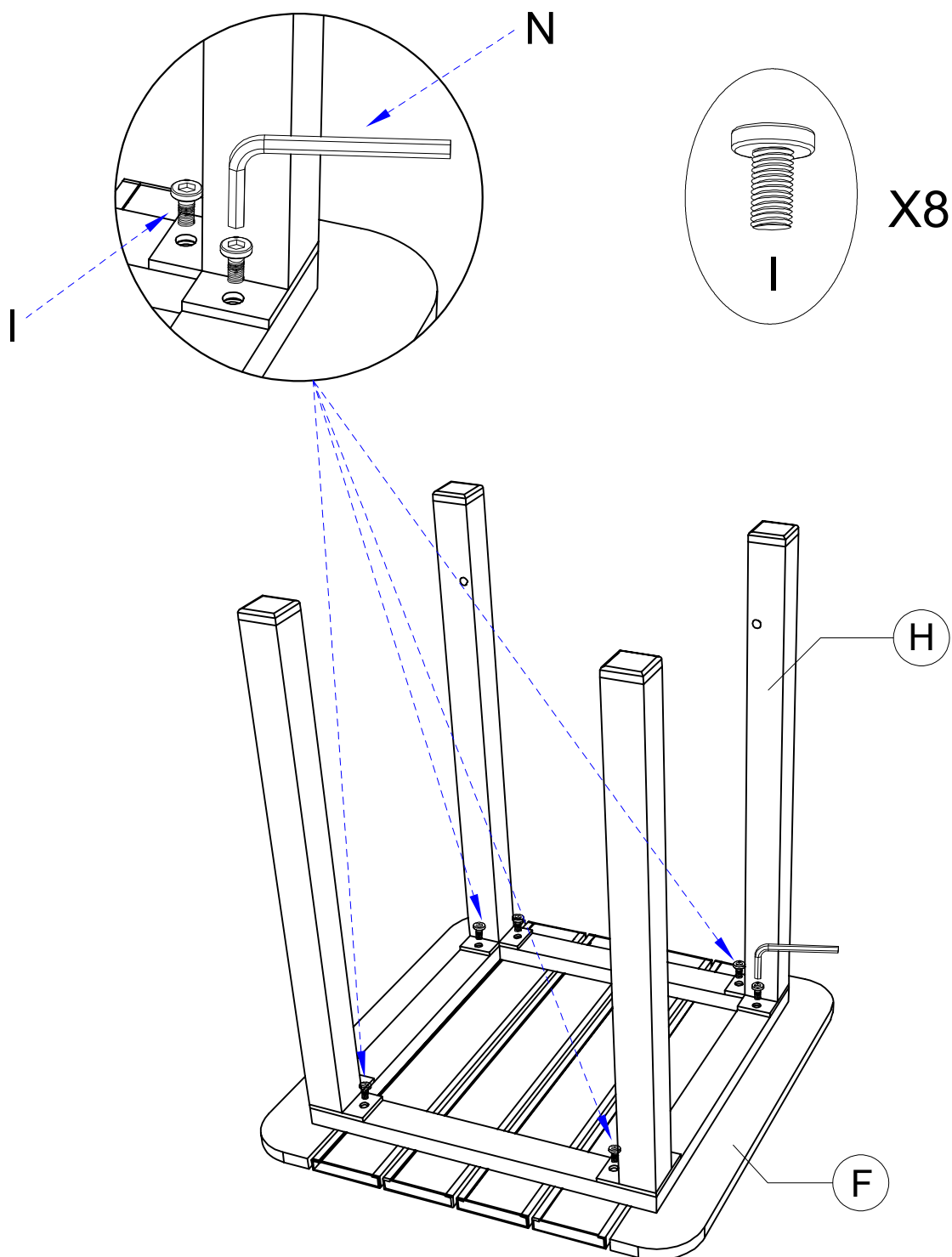


Side Table Assembly Instruction



Do not fully tighten the screws during initial assembly.
Fully tighten screws only once all pieces which are correctly assembled.

STEP 1

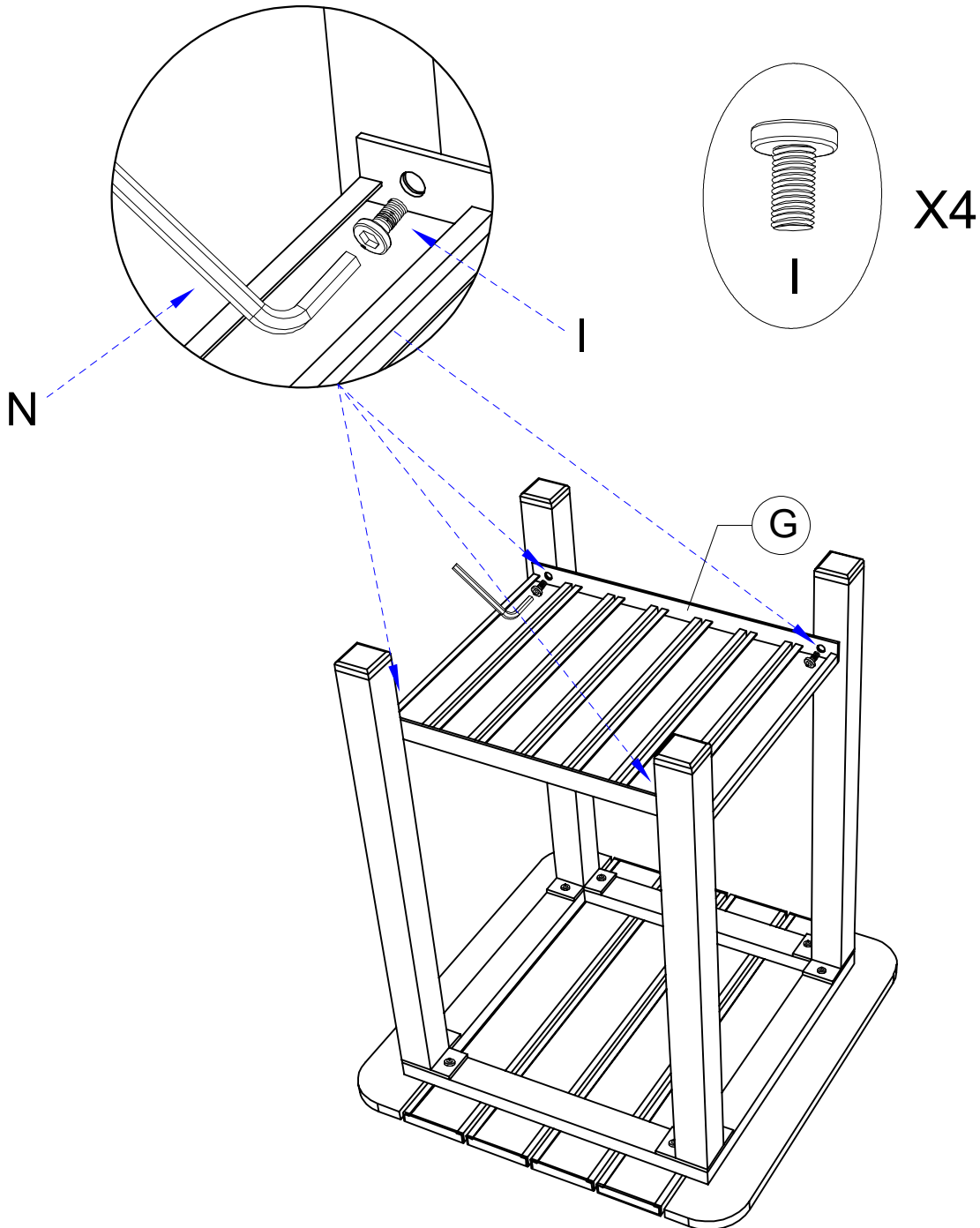


Side Table Assembly Instruction



Do not fully tighten the screws during initial assembly.
Fully tighten screws only once all pieces which are correctly assembled.

STEP 2



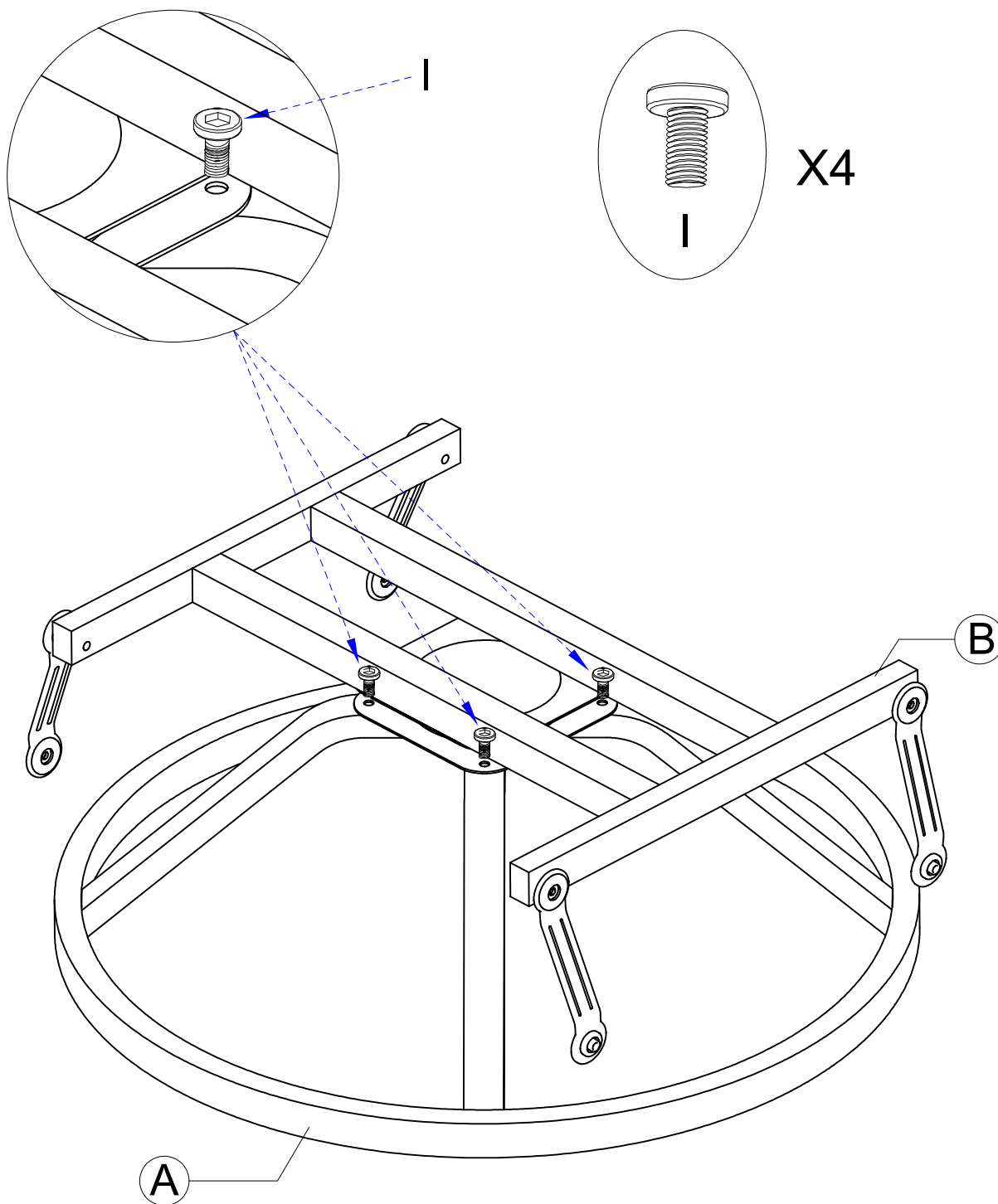
Fully tighten all the screws !
The side table is completed !

Swivel Chair Assembly Instruction



Do not fully tighten the screws during initial assembly.
Fully tighten screws only once all pieces which are correctly assembled.

STEP 3

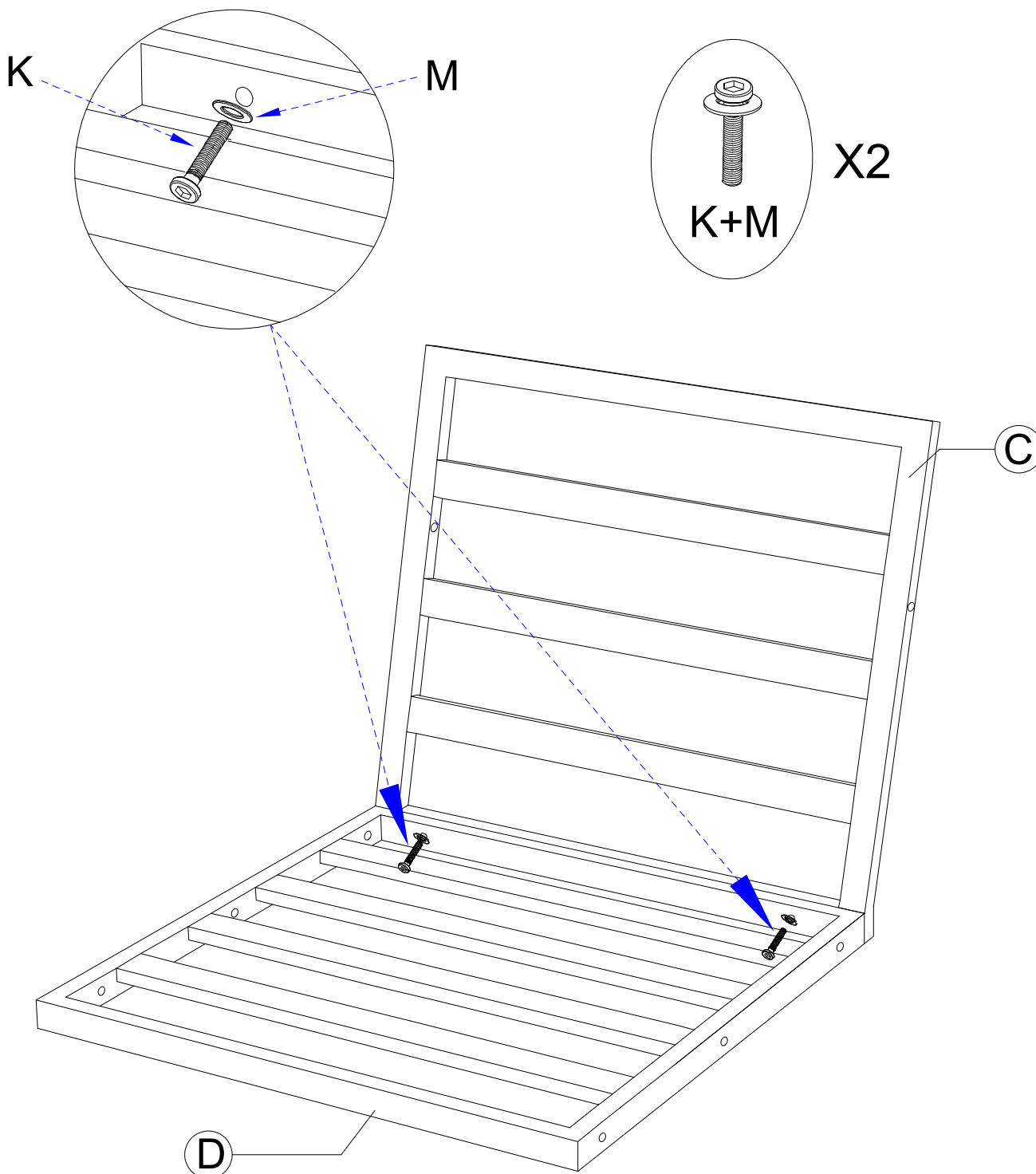


Swivel Chair Assembly Instruction



Do not fully tighten the screws during initial assembly.
Fully tighten screws only once all pieces which are correctly assembled.

STEP 4

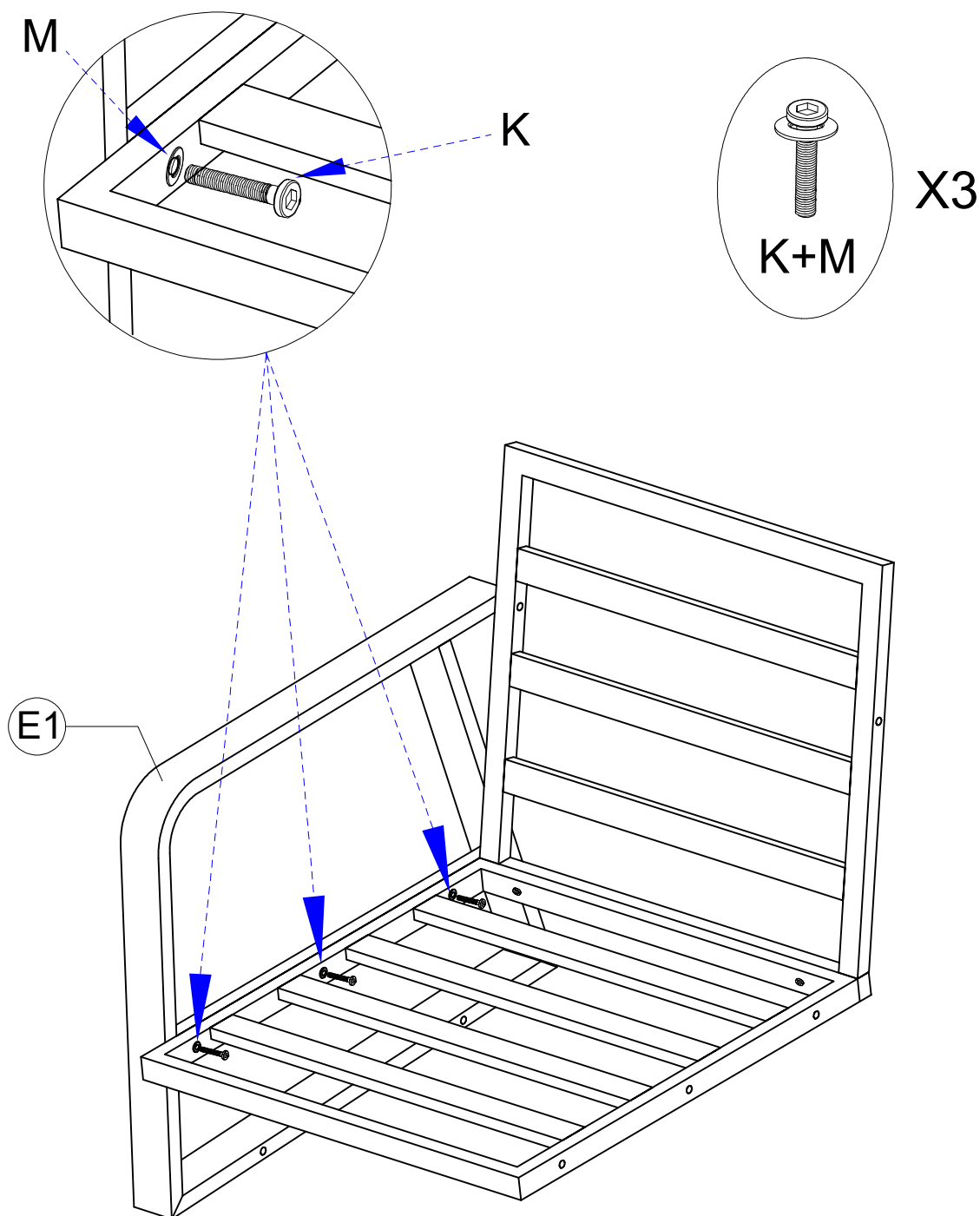


Swivel Chair Assembly Instruction



Do not fully tighten the screws during initial assembly.
Fully tighten screws only once all pieces which are correctly assembled.

STEP 5

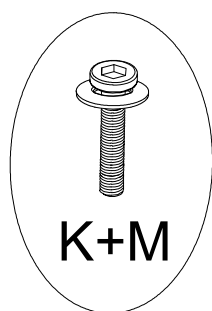


Swivel Chair Assembly Instruction



Do not fully tighten the screws during initial assembly.
Fully tighten screws only once all pieces which are correctly assembled.

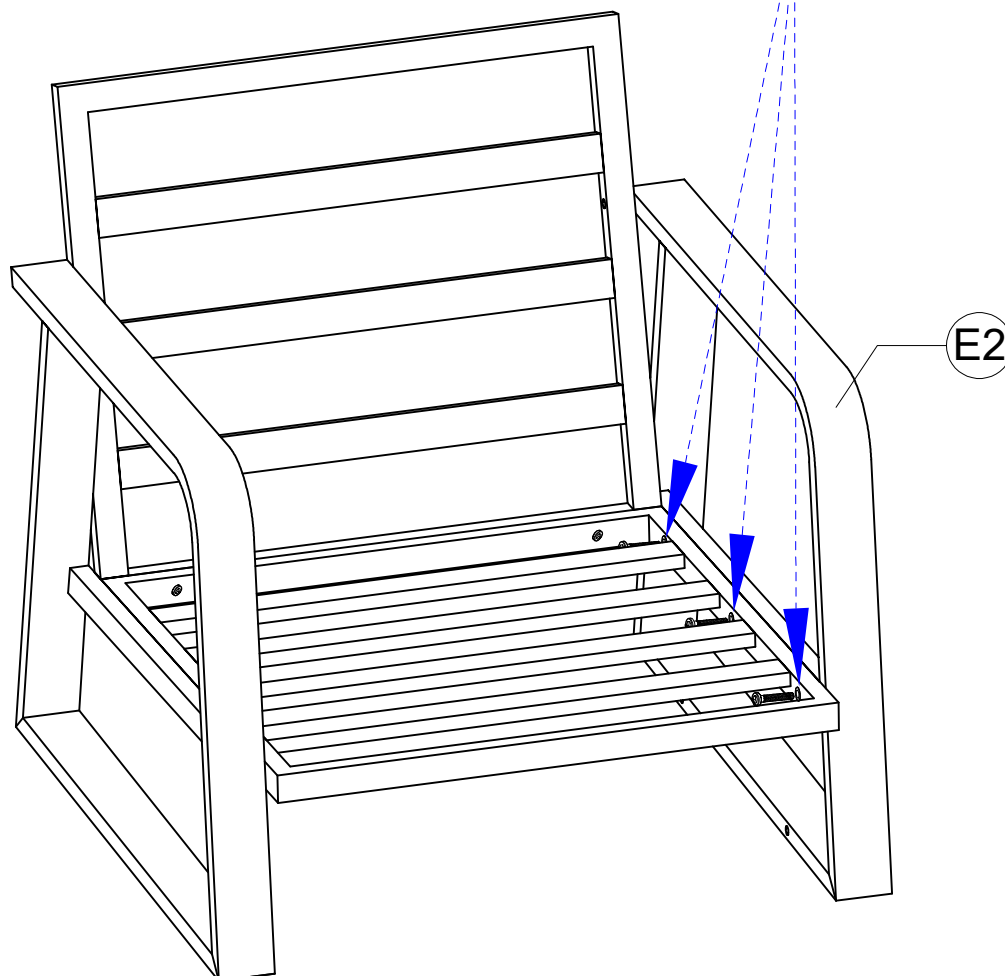
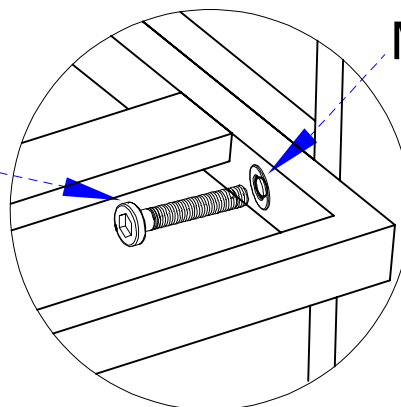
STEP 6



X3

K

M

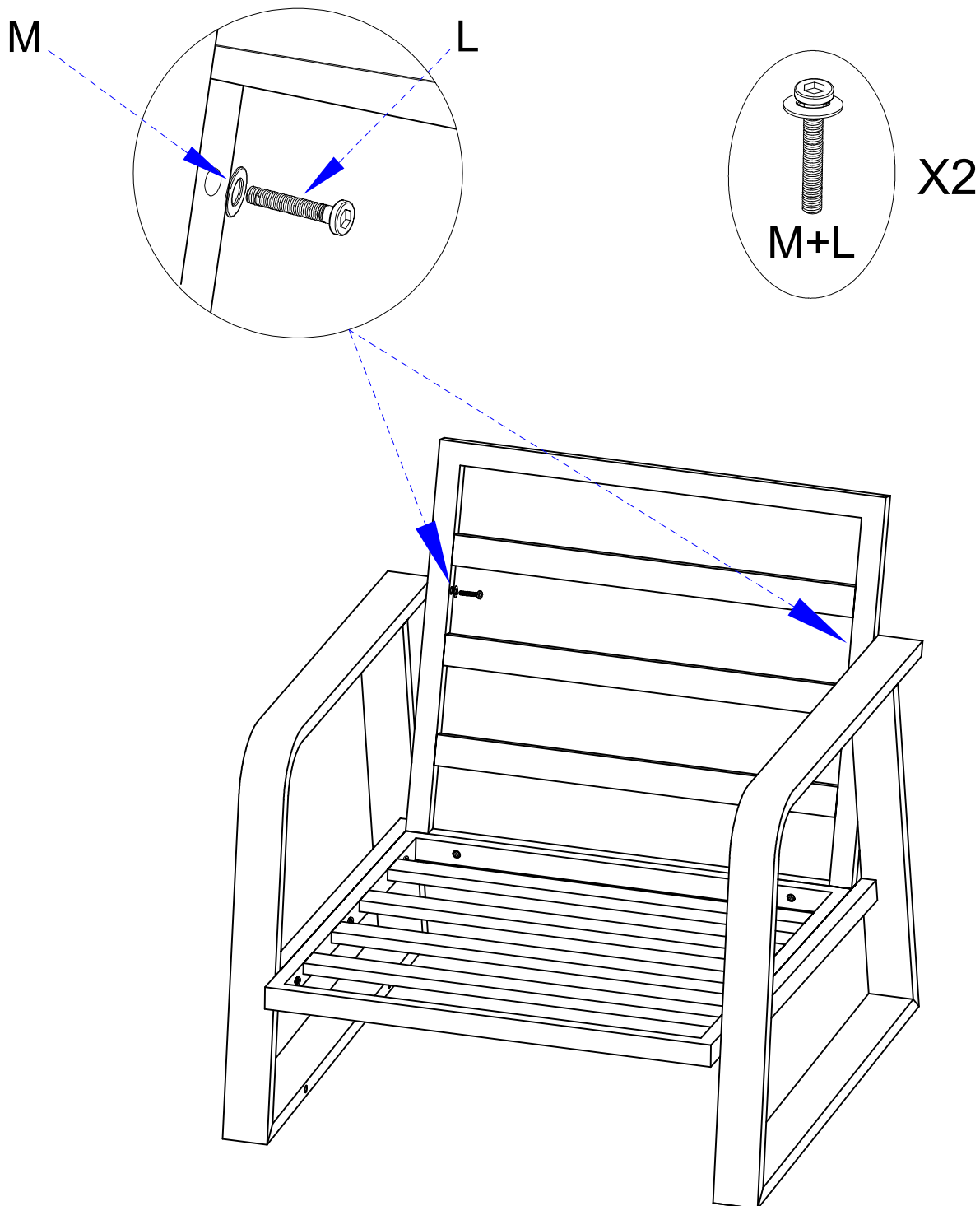


Swivel Chair Assembly Instruction



Do not fully tighten the screws during initial assembly.
Fully tighten screws only once all pieces which are correctly assembled.

STEP 7

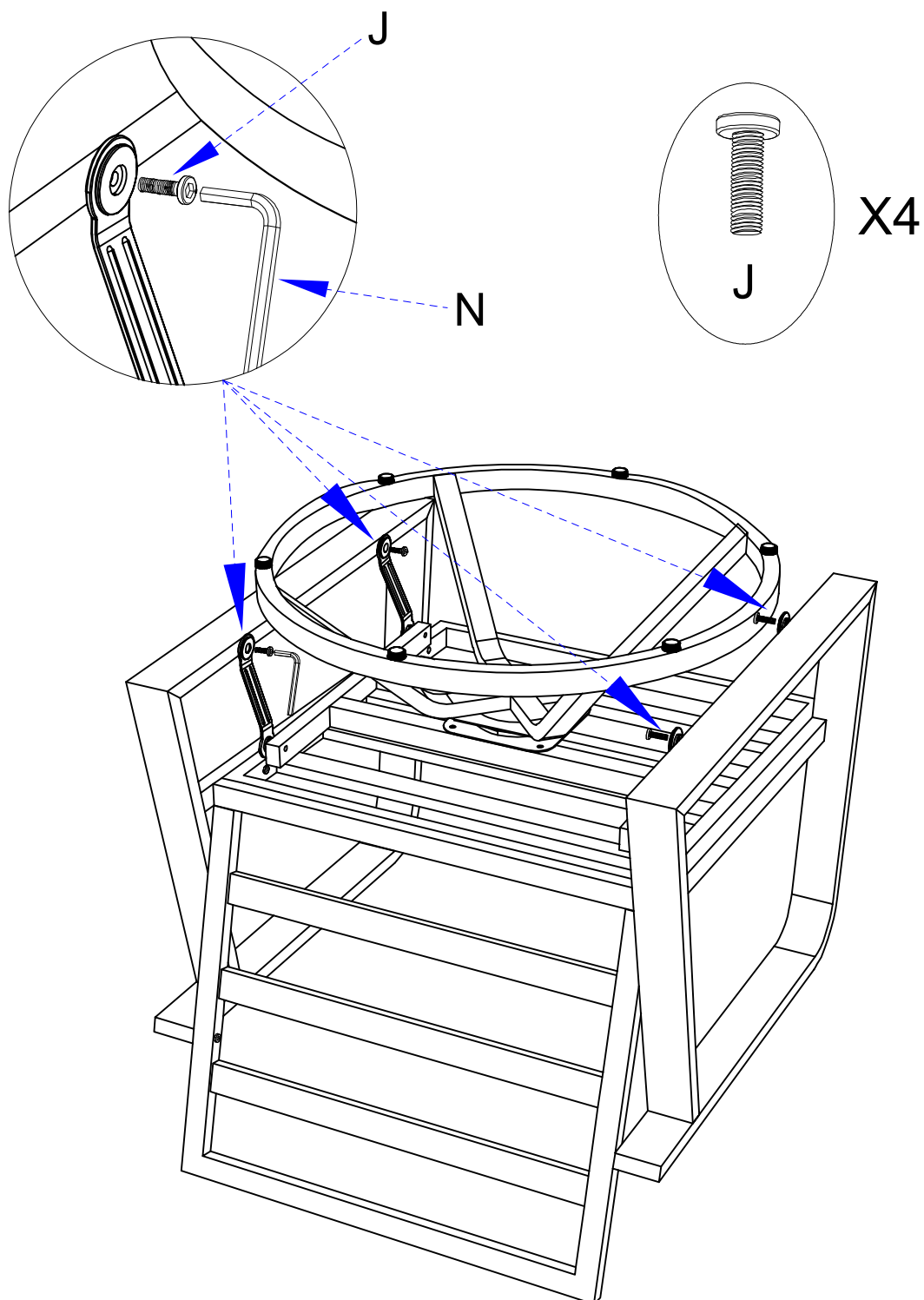


Swivel Chair Assembly Instruction



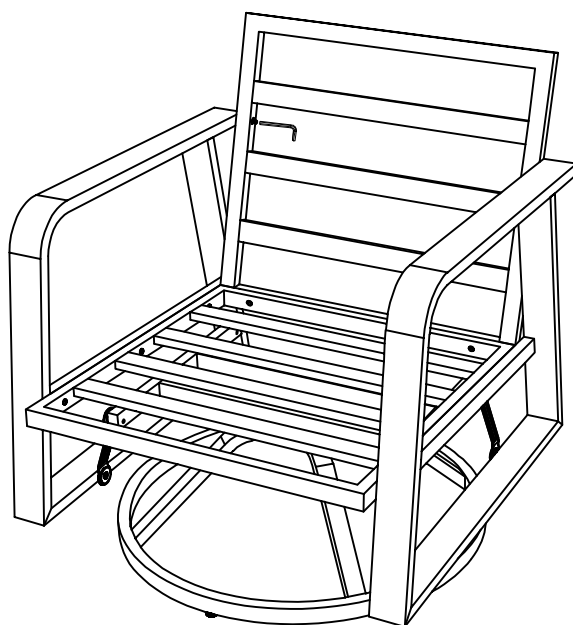
Do not fully tighten the screws during initial assembly.
Fully tighten screws only once all pieces which are correctly assembled.

STEP 8

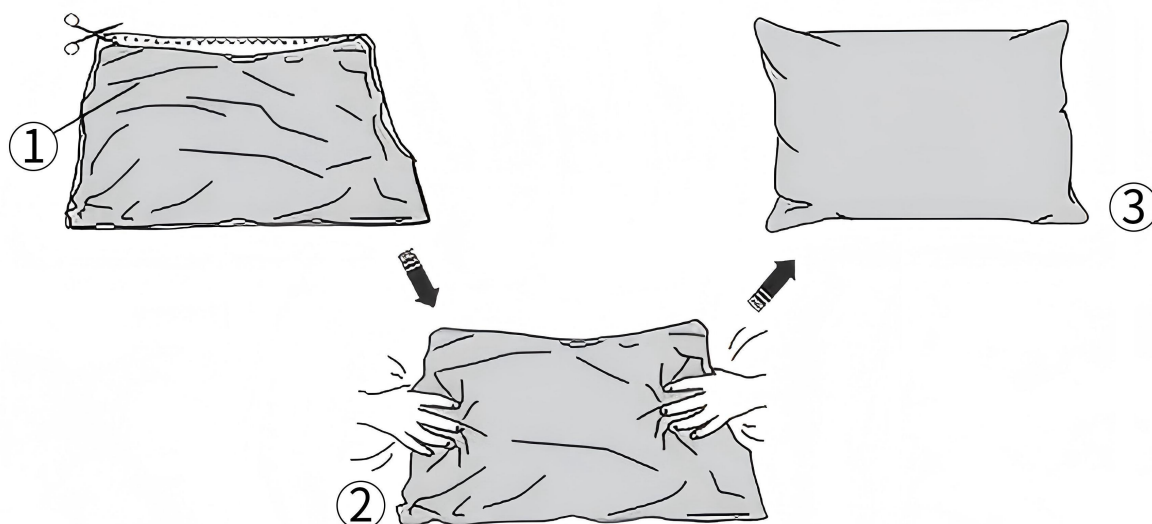


Swivel Chair Assembly Instruction

FINISH



Fully tighten all the screws and the chair is completed !



Unbox and fluff your cushion, then wait 48 hours for full rebound.