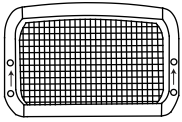
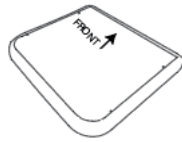


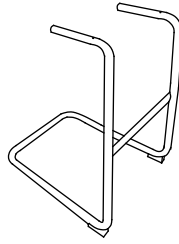
A



B



C

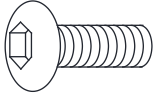


D



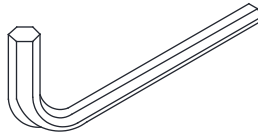
2PCS

E



M6*40
8PCS

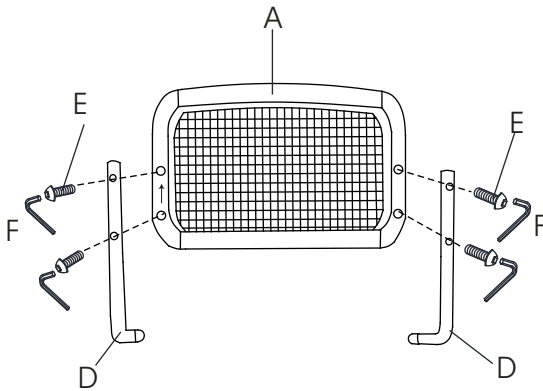
F



M6

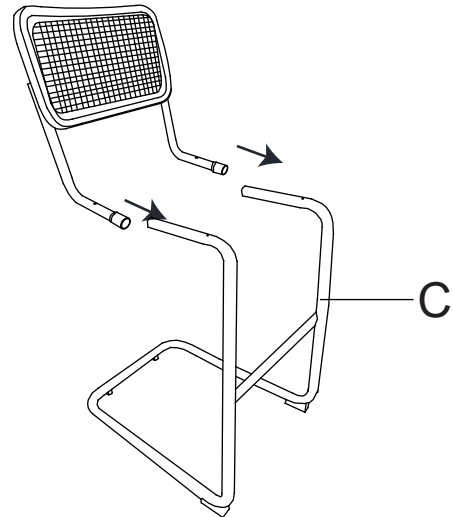
1

Please 80% tighten the bolts.



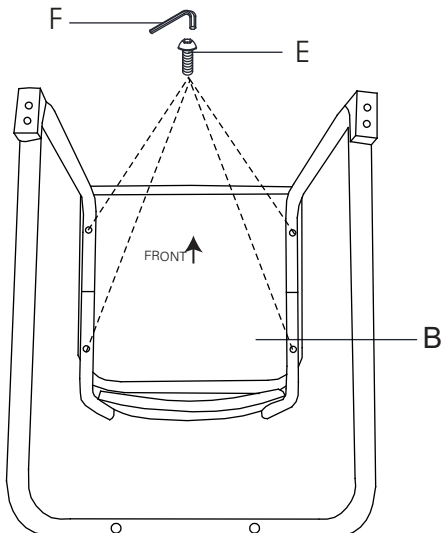
2

Please 100% tighten the frame.



3

Please 100% tighten the bolts.



4

Please 100% tighten the bolts.

