
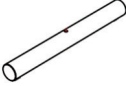
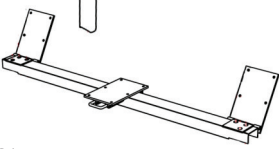
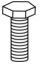







Bennet Flip and Nest Assembly Instructions

Parts Included:

- 1. Columns (2) 
- 2. Feet (2) 
- 3. Beam (1) 
- 4. Hardware:
 - Hex Head Bolts (2) 
 - Washer (8) 
 - Flat Head Bolts (6) 
 - Screws (18) 
 - Rubber Bumper (2) 
 - Small Screws (2) 
- 5. Optional Casters (4)
- 6. Table top

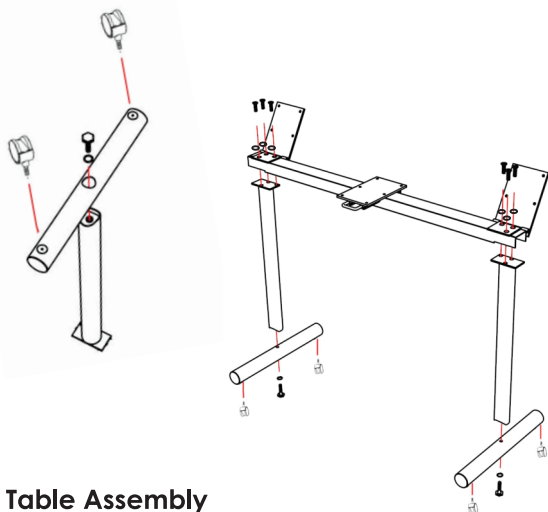
Tools Needed:

- 13mm ratchet wrench or impact drill
- 3/8" hex bit
- 13mm socket
- 13mm wrench (for optional casters)
- #3 Phillips bit
- Safety glasses

If you are missing parts or have any questions, please call Customer Service at 888.705-0777.

Instructions

Base Assembly



Base Assembly:

1. Assemble legs by setting mounting plate on the floor with the bottom of the column up. Place the foot over the column lining up the holes in the foot and the column. Insert hex head bolt and washer through the foot and into the column. Tighten bolt securely. If you purchased casters, remove glides and install casters now.
2. Slide the legs into the slots on the ends of beam and attach to beam with flat head bolts and washers. Start bolts by hand to prevent cross threading. Tighten the bolts with #3 Phillips bit with a fully charged impact drill.

Table Assembly

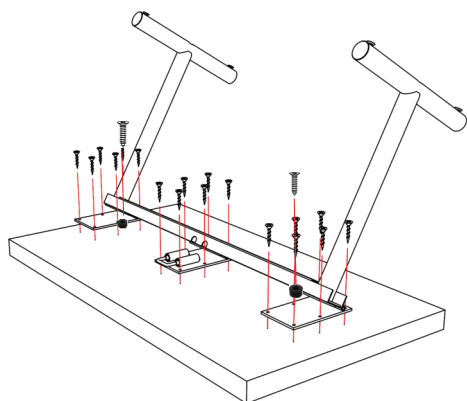


Table Assembly:

1. Lay table top upside down on cardboard or carpeted surface.
2. Position the base to align holes in hinges and with pre-drilled holes in the table top.
3. Use impact drill with #3 Phillips bit to install wood screws through the base in to table top. **Fully tighten screws.**
4. Using small screws, screw in rubber bumpers to table top where columns come in contact with table top.

Note: If you purchased optional modesty panel, attach it now.

5. Holding onto the edges of the top, carefully turn the table over in the upright position. Wipe of the top and the base with a soft clean cloth. Enjoy your table!



START BOLTS BY HAND TO PREVENT CROSS THREADING