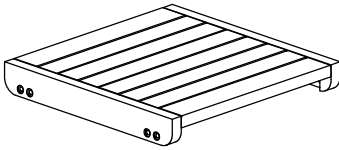

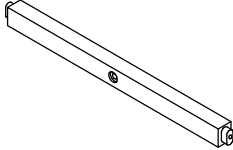
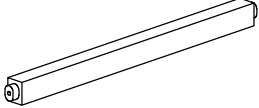






NOTE: 50% TIGHTEN BEFORE FIXING ALL BOLTS & SCREWS

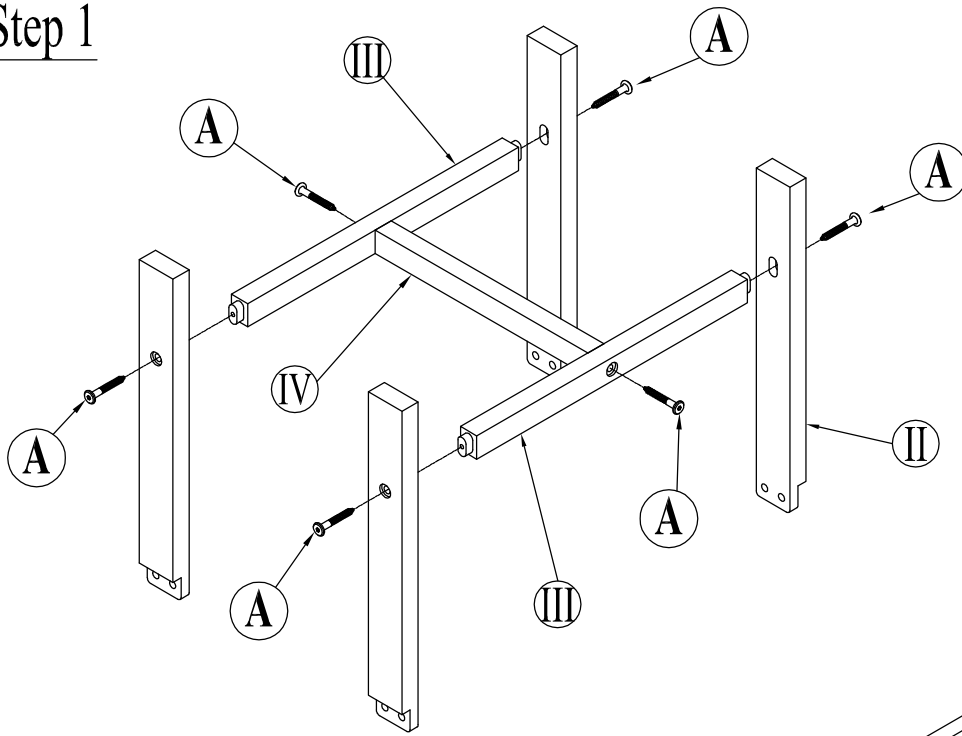
COMPONENTS LIST

 <p>Q'TY 1</p>	 <p>Q'TY 4</p>	 <p>Q'TY 2</p>	 <p>Q'TY 1</p>
---	--	---	--

HARDWARE LIST

A		6	F - Screw 7x50	C		8	Sleeve nut
B		8	Bolt 6x15	D		2	Allen Key

Step 1



Step 2

