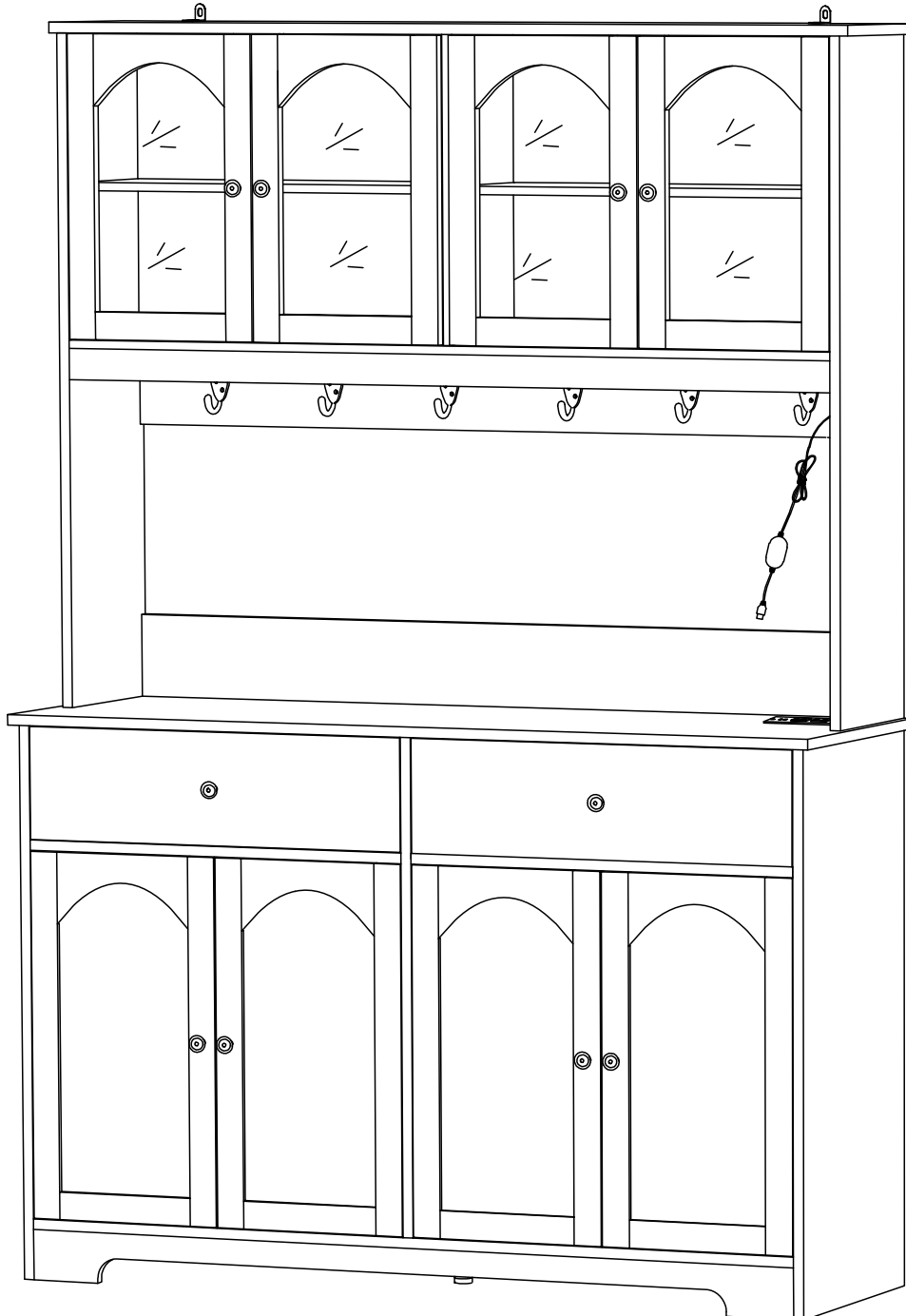


Instruction Manual



Cabinet

EN

Thank you for purchase on our products. Please contact us if you have difficulty with assembly or need replacement parts. Our customer service is here to assist you. Please attach your User Name or Order ID so that we can assist you better.

WARNING

Serious or fatal injury may occur from unexpected assembly or use.

1. During the assembly process, keep all parts away from babies or children.
2. Always securely fix this product to the wall. Make sure the wall area to be drilled is free from hidden electrical wires, water and gas pipes.
3. Use of tip-over restraints may only reduce, but not eliminate the risk of tip-over.
4. Unless specially designed to accommodate, do not set heavy objects on top of this product.
5. Place the heaviest items on the lowest shelf.
6. Never allow children to climb or bang on drawers, doors or shelves.

DE

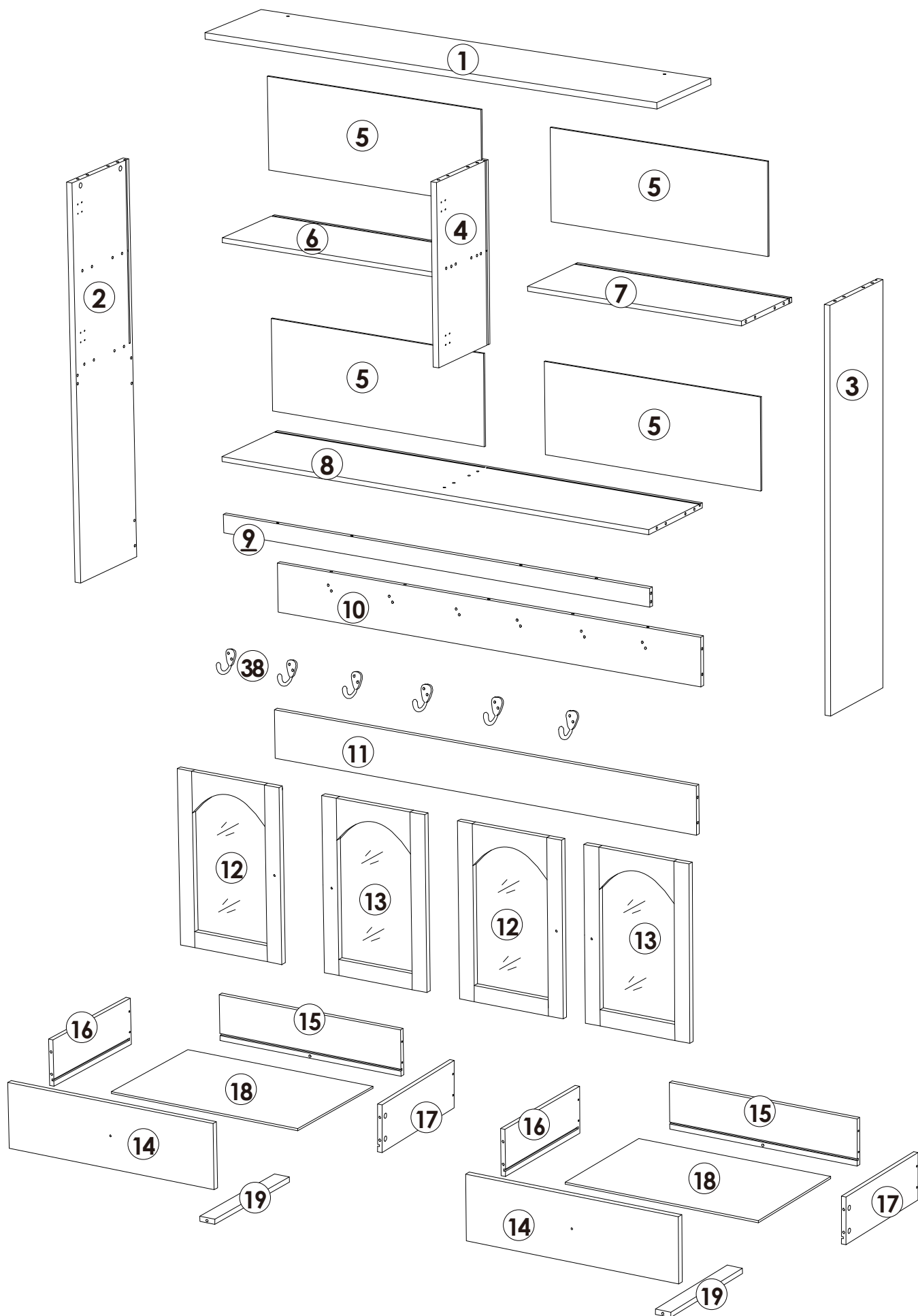
Vielen Dank für Ihren Kauf von uns Produkten. Bitte kontaktieren Sie uns, wenn Sie Probleme mit Montage haben oder Ersatzteile benötigen. Wir Kundenservice ist für Sie da. Bitte geben Sie Ihren Benutzernamen oder Ihre Bestellnummer an, damit wir Sie besser unterstützen können.

WARNUNG

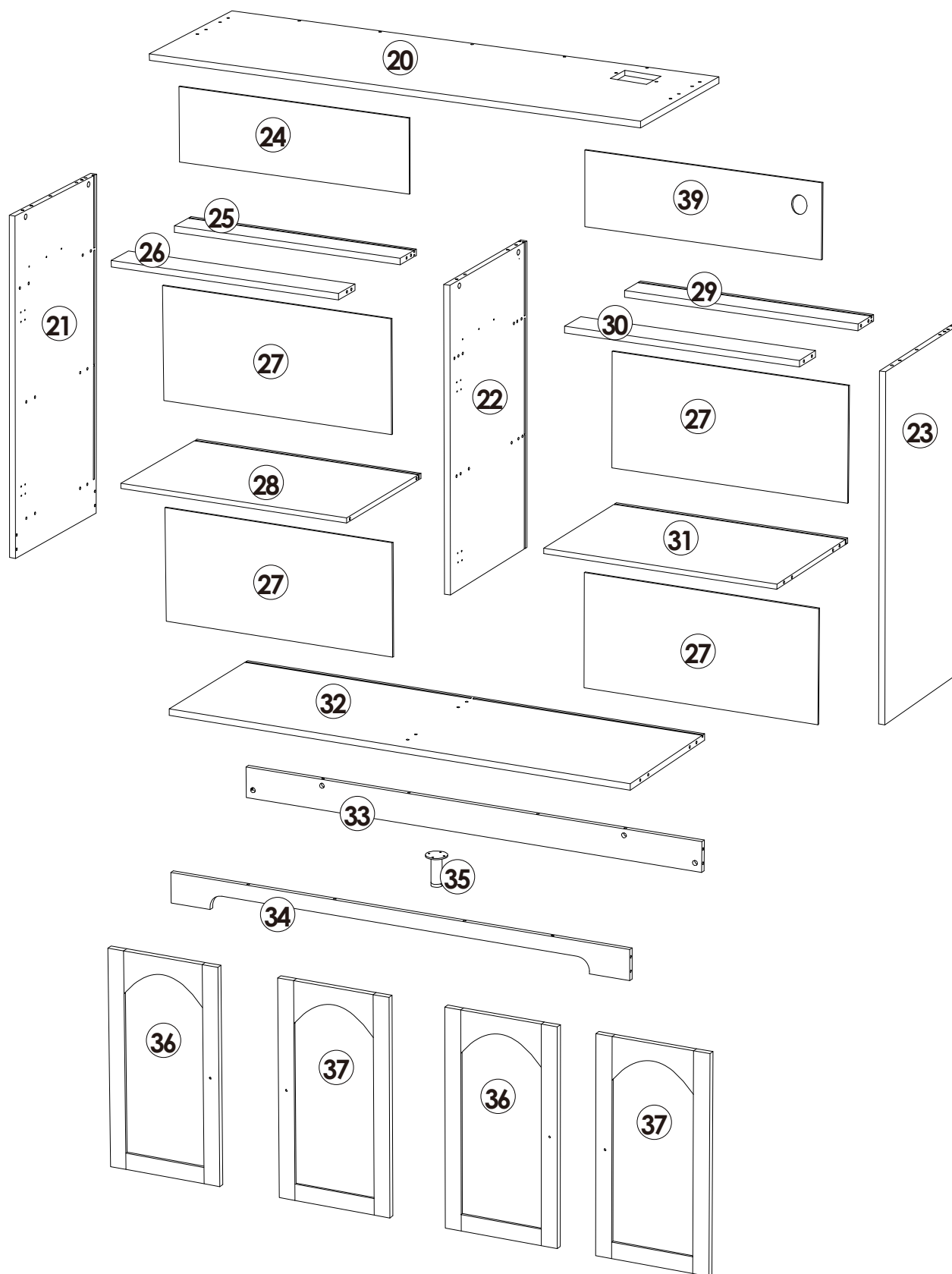
Bei unerwarteter Montage oder Verwendung können schwere oder tödliche Verletzung auftreten.

1. Legen Sie in den Montageprozess alle Teile weg von Babys oder Kindern.
2. Stellen Sie sicher, dass der gebohrte Wandbereich frei von verborgenen Stromkabeln, Wasser- und Gasleitungen ist, wenn Sie dieses Produkt an der Wand befestigen.
3. Die Verwendung von Kippsicherungen kann die Gefahr eines Kippens nur verringern, jedoch nicht beseitigen.
4. Setzen Sie bitte keine schweren Gegenstände auf dieses Produkt, es sei denn, dass das Produkt speziell für die Unterbringung konzipiert wird.
5. Legen Sie bitte die schwersten Gegenstände auf das unterste Regal.
6. Erlauben Sie nie Kindern, auf Schubladen, Türen oder Regale zu klettern oder zu knallen.

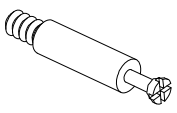

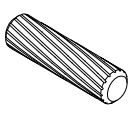
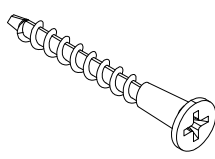
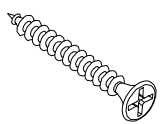
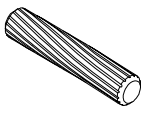
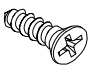
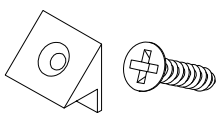
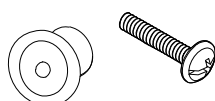
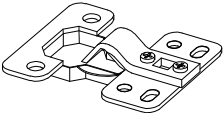
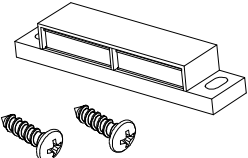

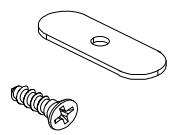
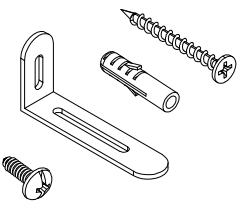
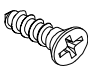

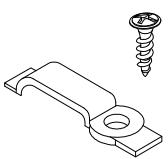
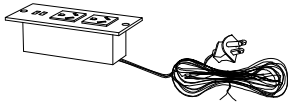

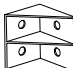
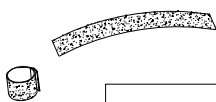
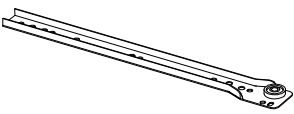
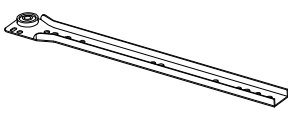
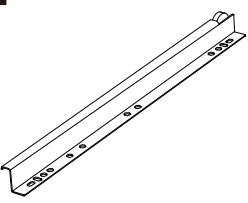
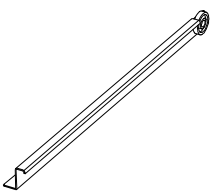
Parts List(EN) / Teile Liste(DE)



Parts List(EN) / Teile Liste(DE)

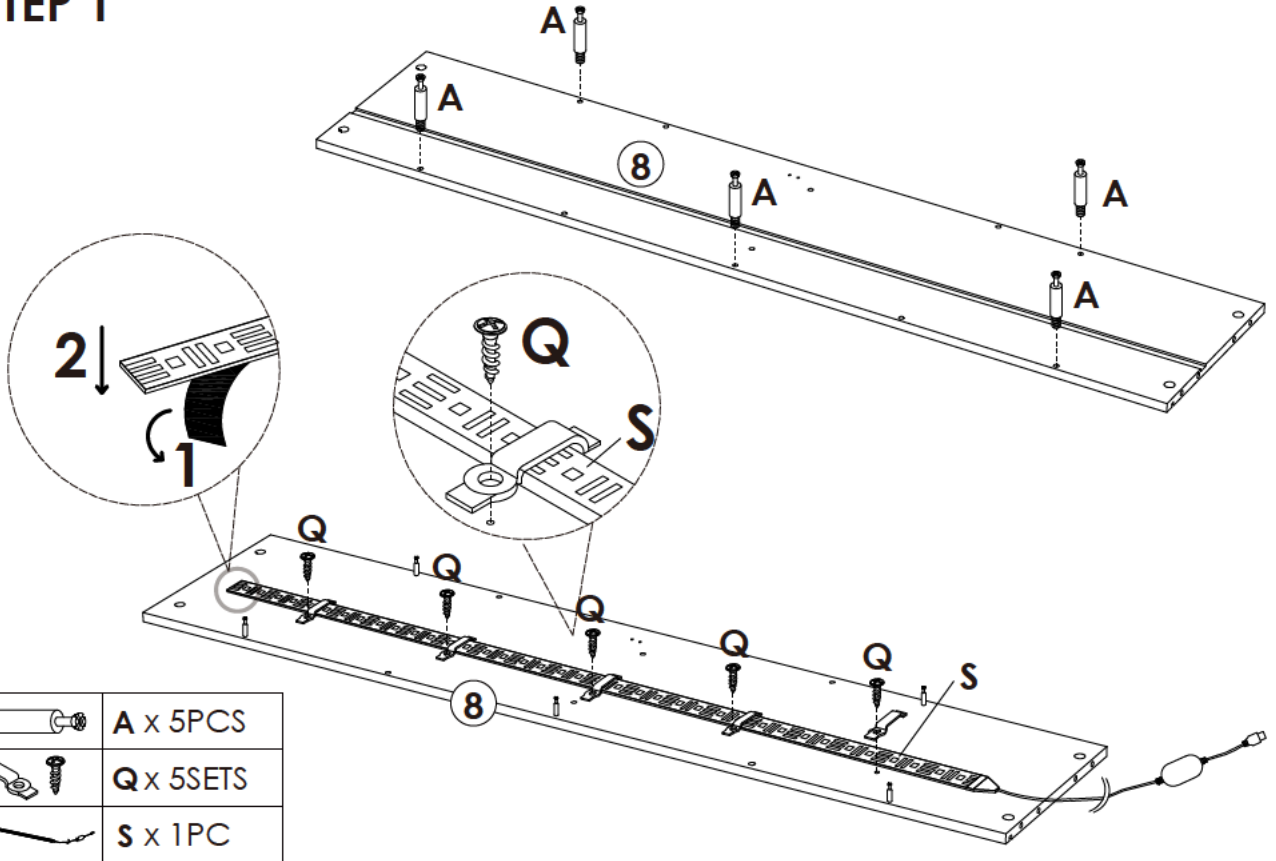


Parts List(EN) / Teile Liste(DE)

A 	B 	C 	D 
M6×35mm 76+4PCS	Ø15×9mm 76+4PCS	Ø6×30mm 56+2PCS	M5×40mm 14+2PCS
E 	F 	G 	H 
M4×30mm 8PCS	Ø6×50mm 6+1PCS	M3×12mm 14+2PCS	M3×14mm 16+2SETS
I 	J 	K 	L 
10SETS	16PCS	4SETS	M4×12mm 104+6PCS
M 	N 	O 	P 
8SETS	2SETS	M3.5×12mm 24+2PCS	6PCS
Q 	R 	S 	
5+2SETS	1PC	1PC	
T 	U 		
1PC	1PC		
CL 	CR 	DL 	DR 
L300mm 2PCS	L300mm 2PCS	L300mm 2PCS	L300mm 2PCS

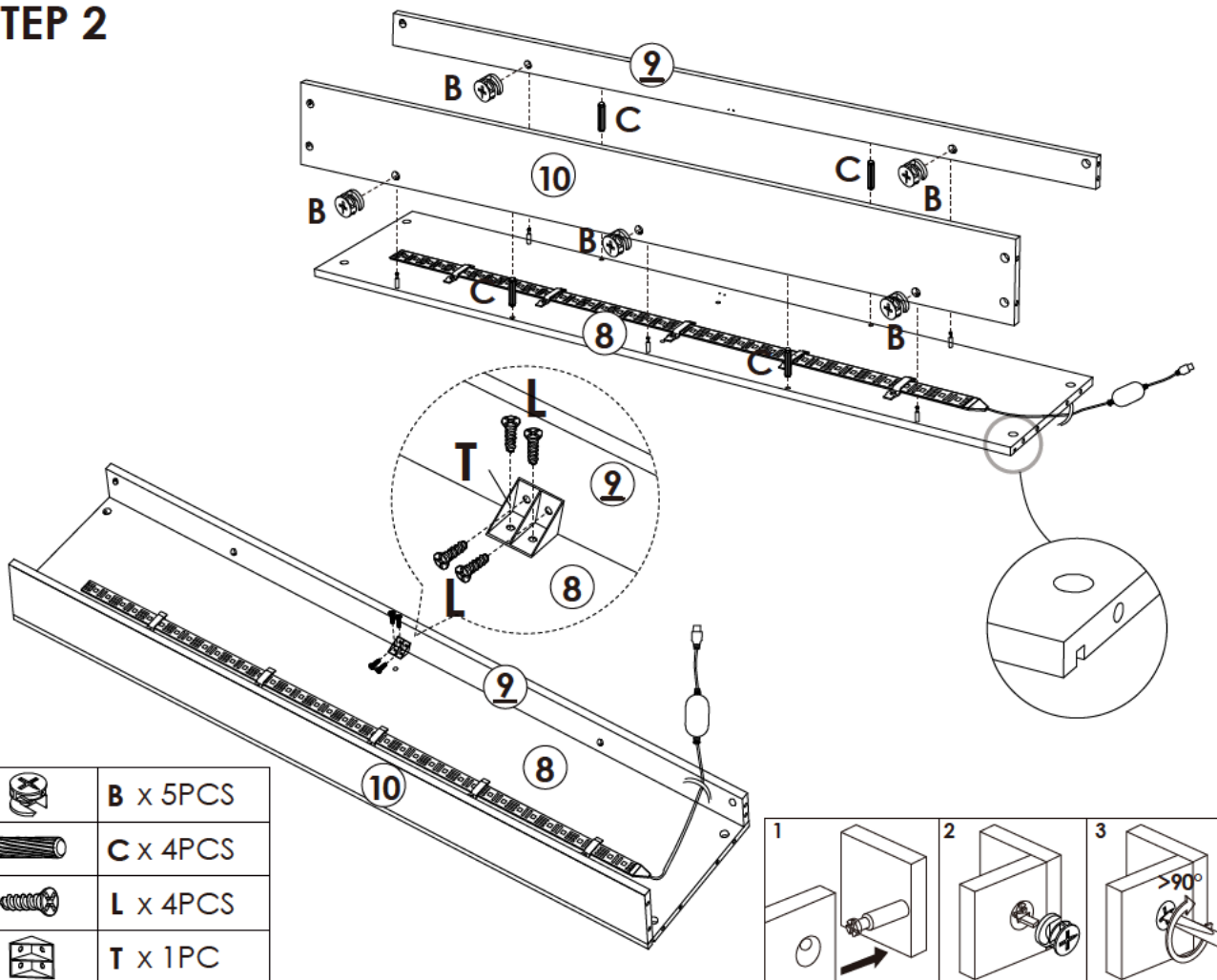
Assembly Steps(EN) / Montageschritte(DE)

STEP 1

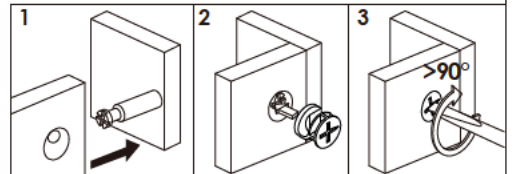


	A x 5PCS
	Q x 5SETS
	S x 1PC

STEP 2

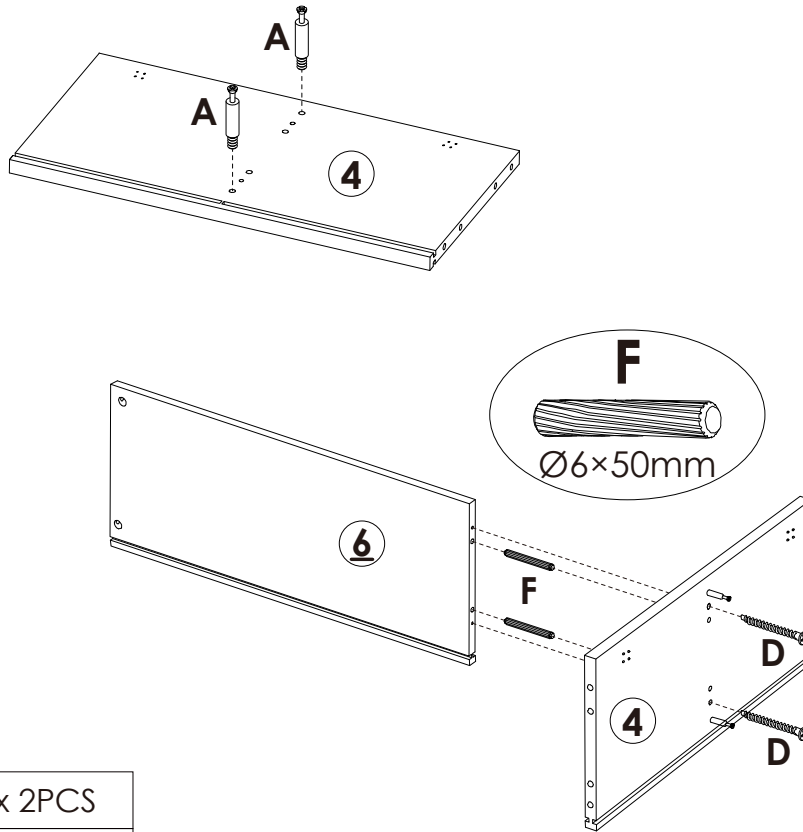


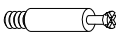


	B x 5PCS
	C x 4PCS
	L x 4PCS
	T x 1PC



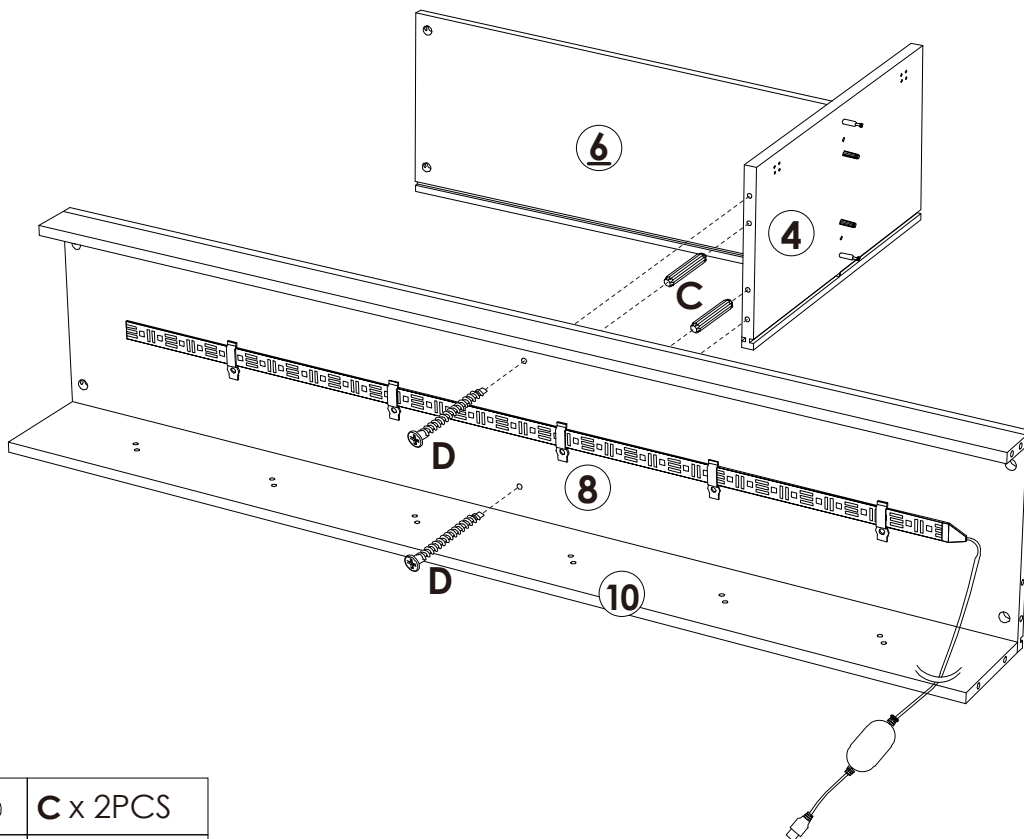
Assembly Steps(EN) / Montageschritte(DE)



STEP 3



	A x 2PCS
	D x 2PCS
	F x 2PCS

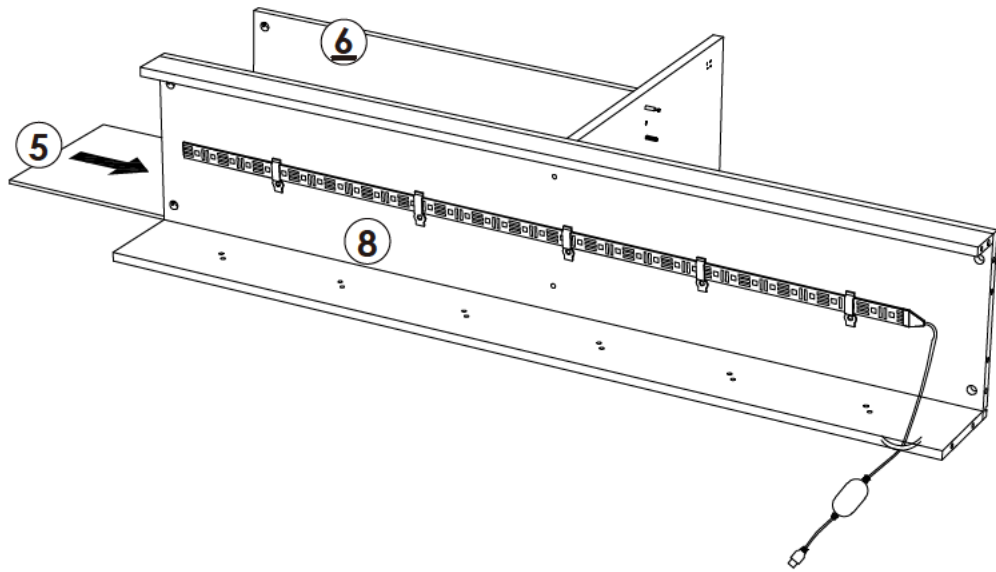
STEP 4



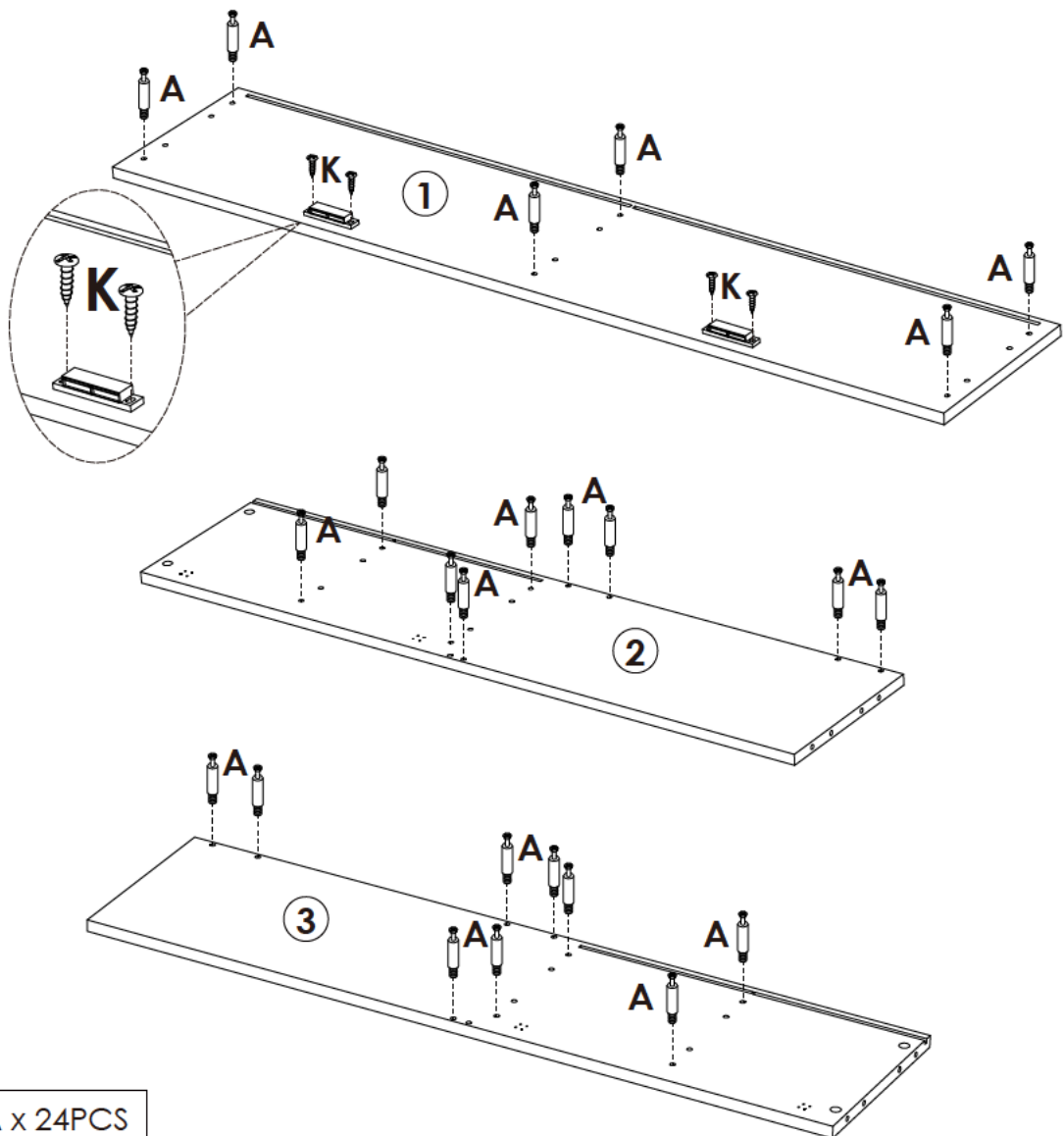
	C x 2PCS
	D x 2PCS

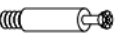

Assembly Steps(EN) / Montageschritte(DE)

STEP 5



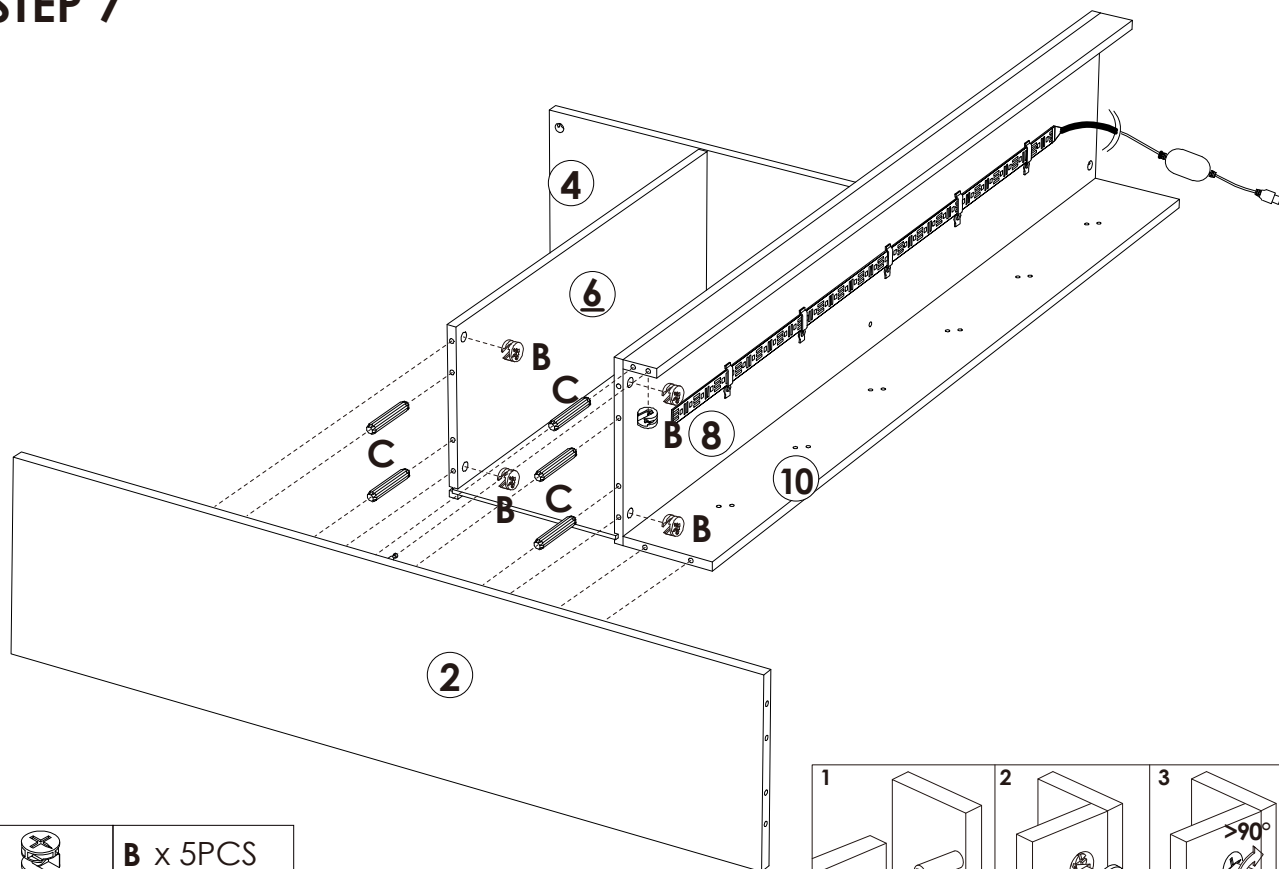
STEP 6





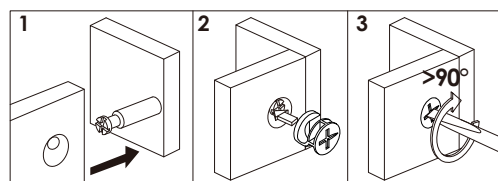
	A x 24PCS
	K x 2SETS

Assembly Steps(EN) / Montageschritte(DE)

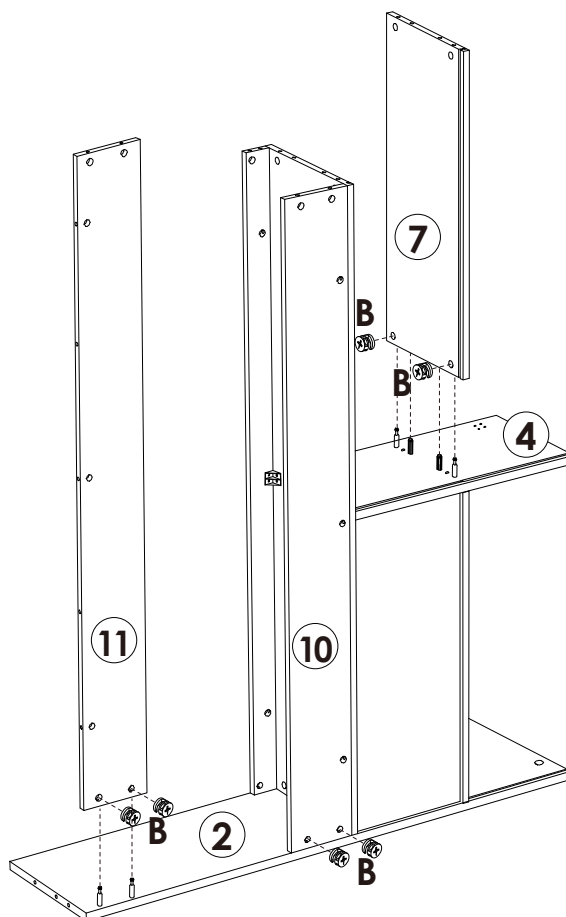
STEP 7




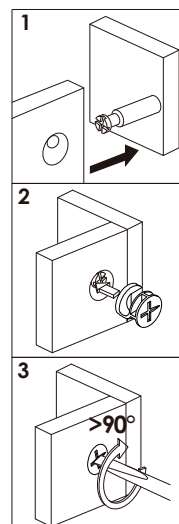
	B x 5PCS
	C x 5PCS



STEP 8

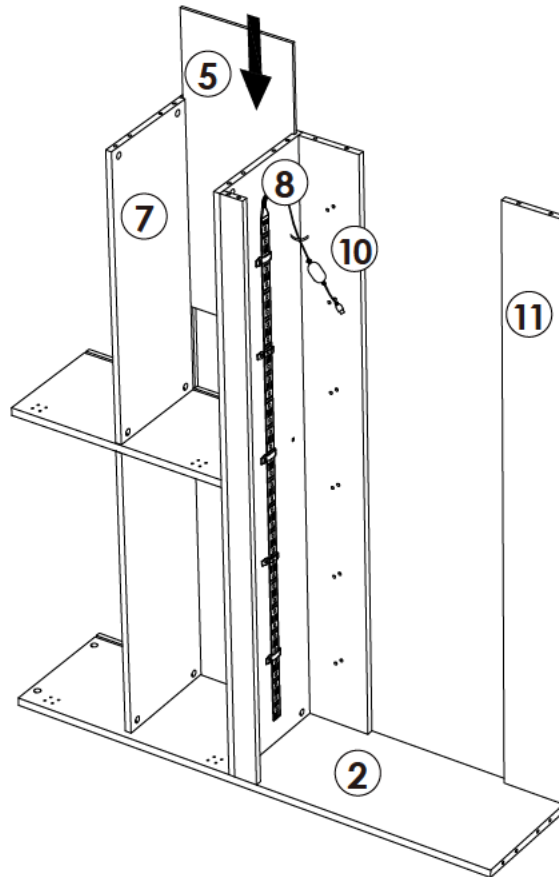


	B x 6PCS
---	-----------------

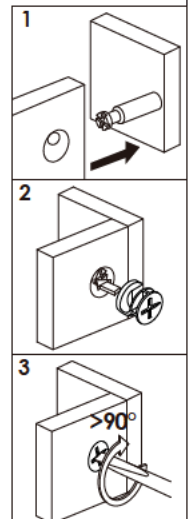
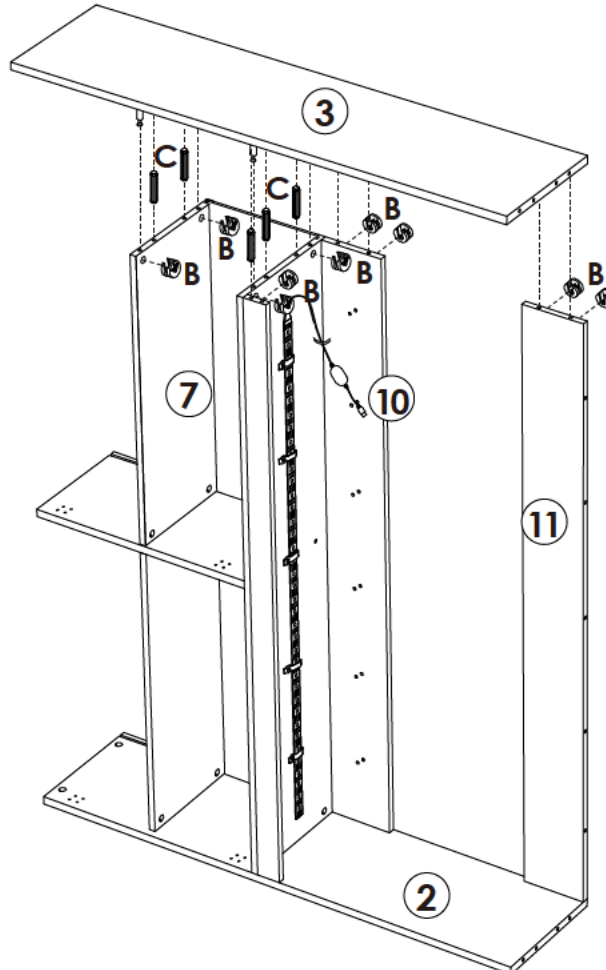


Assembly Steps(EN) / Montageschritte(DE)

STEP 9



STEP 10



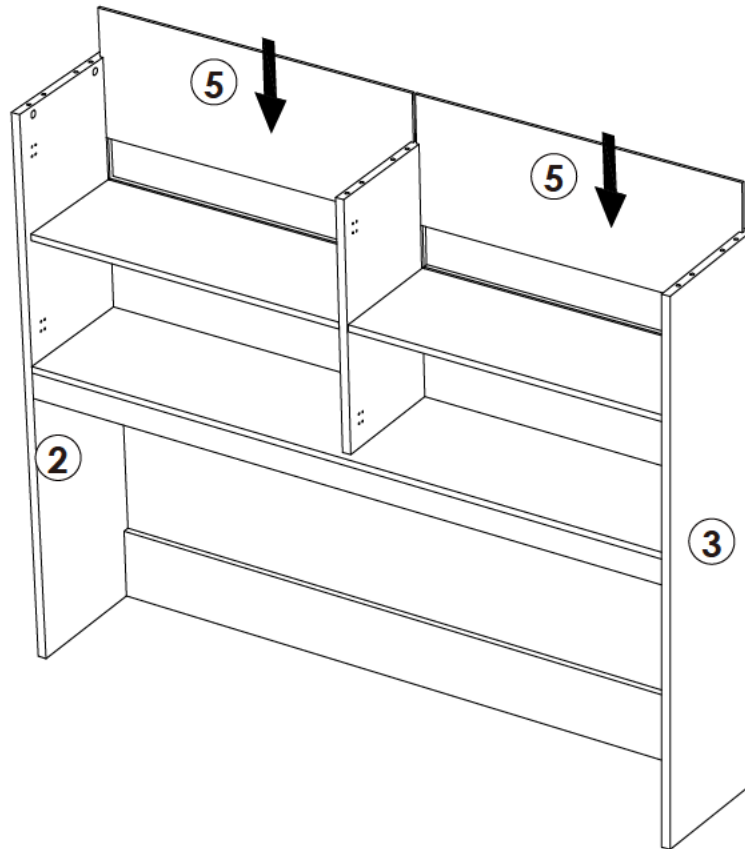
B x 9PCS



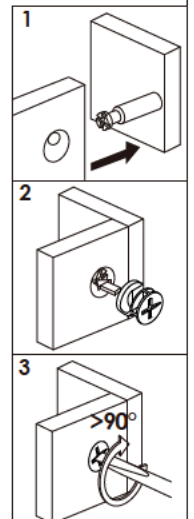
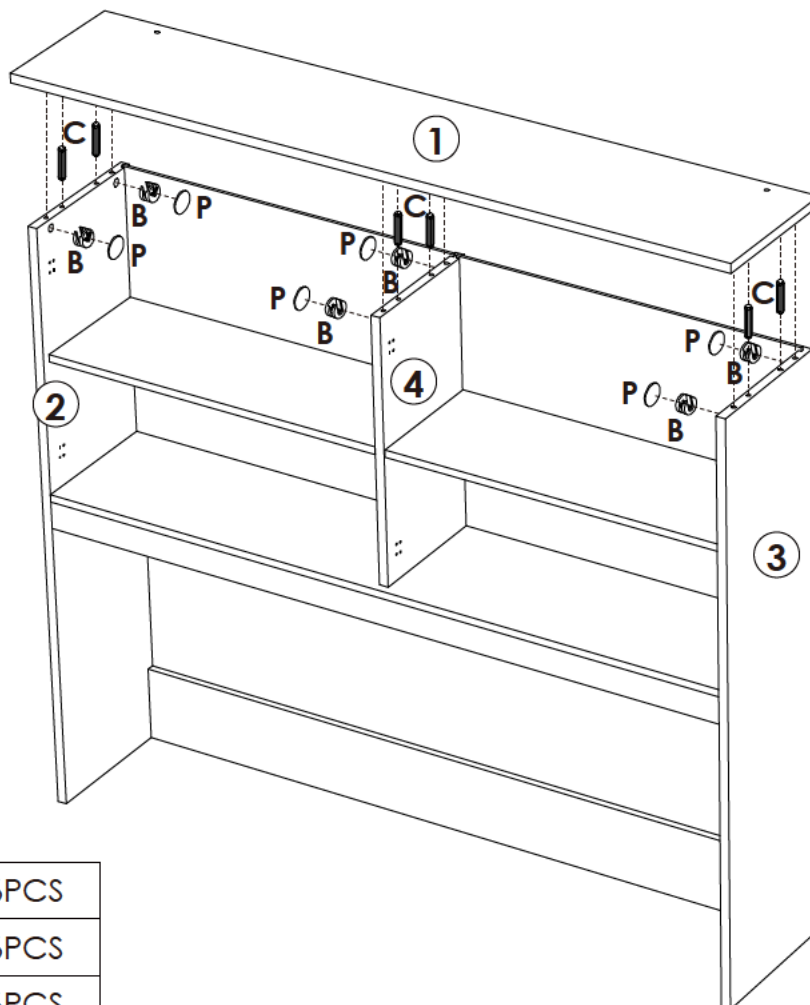
C x 5PCS




Assembly Steps(EN) / Montageschritte(DE)

STEP 11



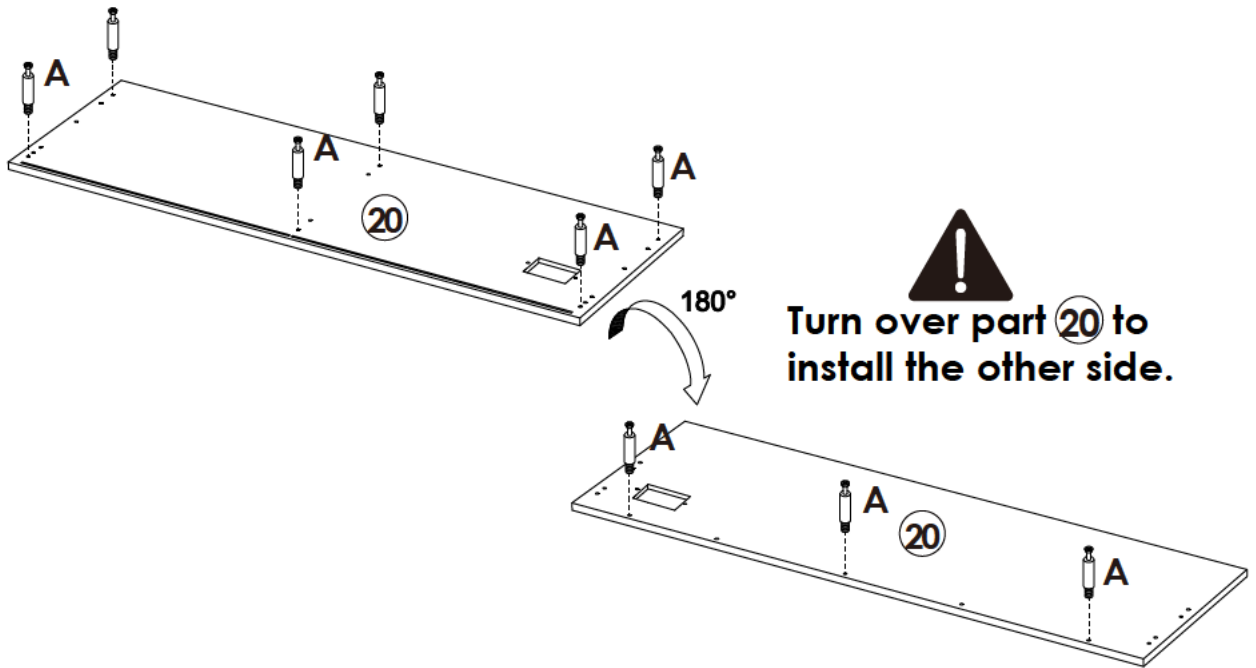
STEP 12

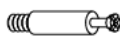


	B x 6PCS
	C x 6PCS
	P x 6PCS

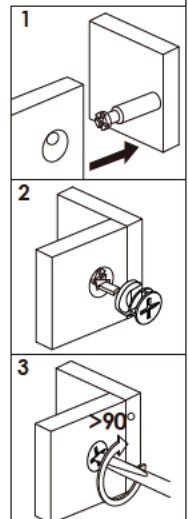
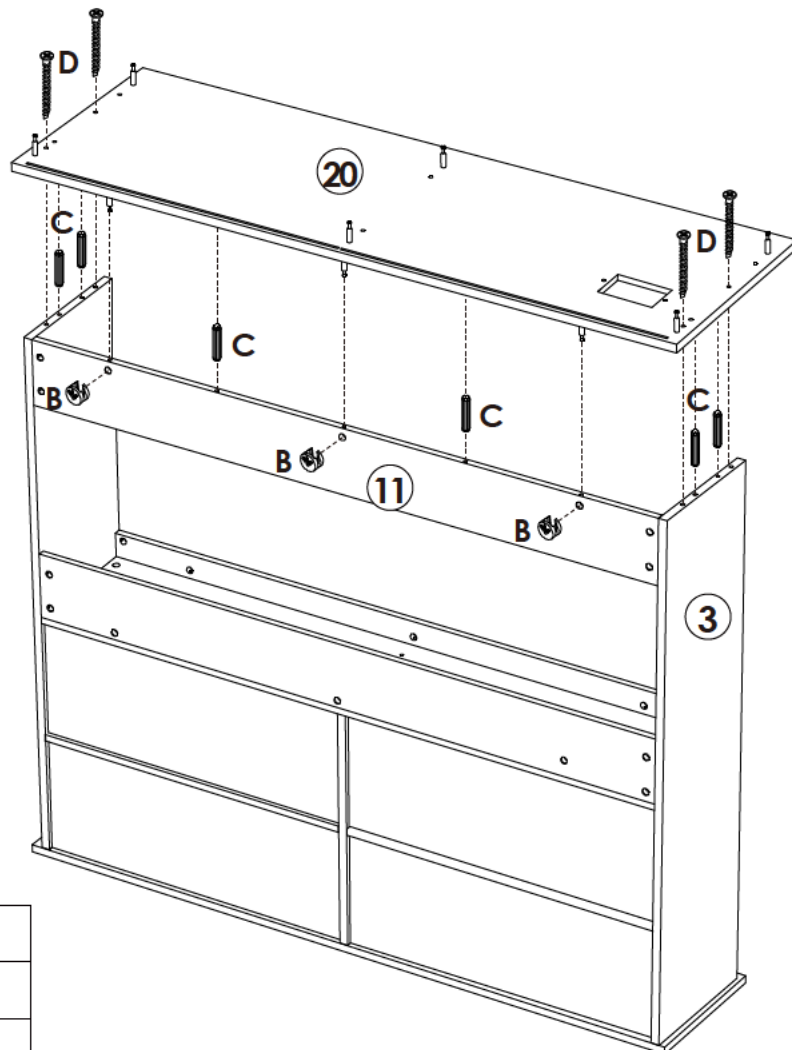
Assembly Steps(EN) / Montageschritte(DE)




STEP 13



 A x 9PCS

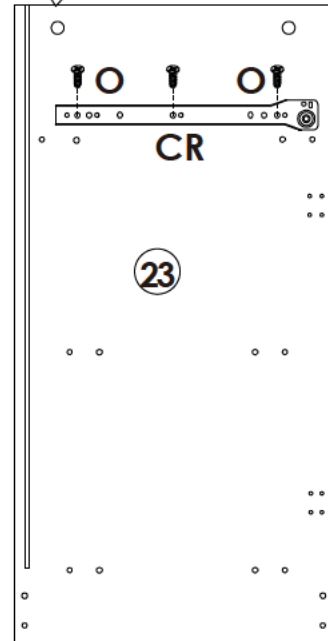
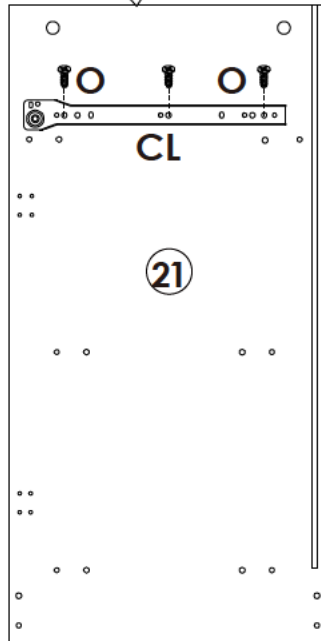
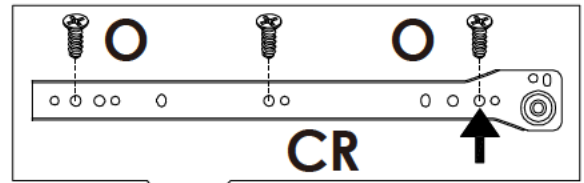
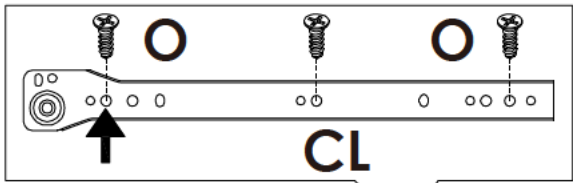
STEP 14






	B x 3PCS
	C x 6PCS
	D x 4PCS

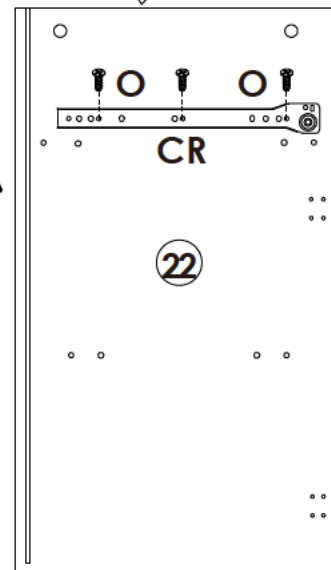
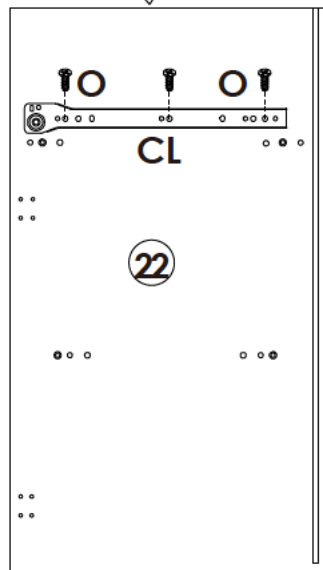
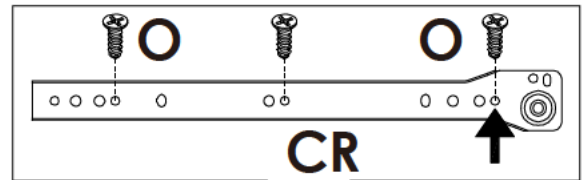
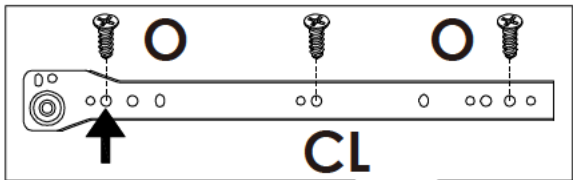
Assembly Steps(EN) / Montageschritte(DE)

STEP 15






	O x 6PCS
	CL x 1PC
	CR x 1PC

STEP 16

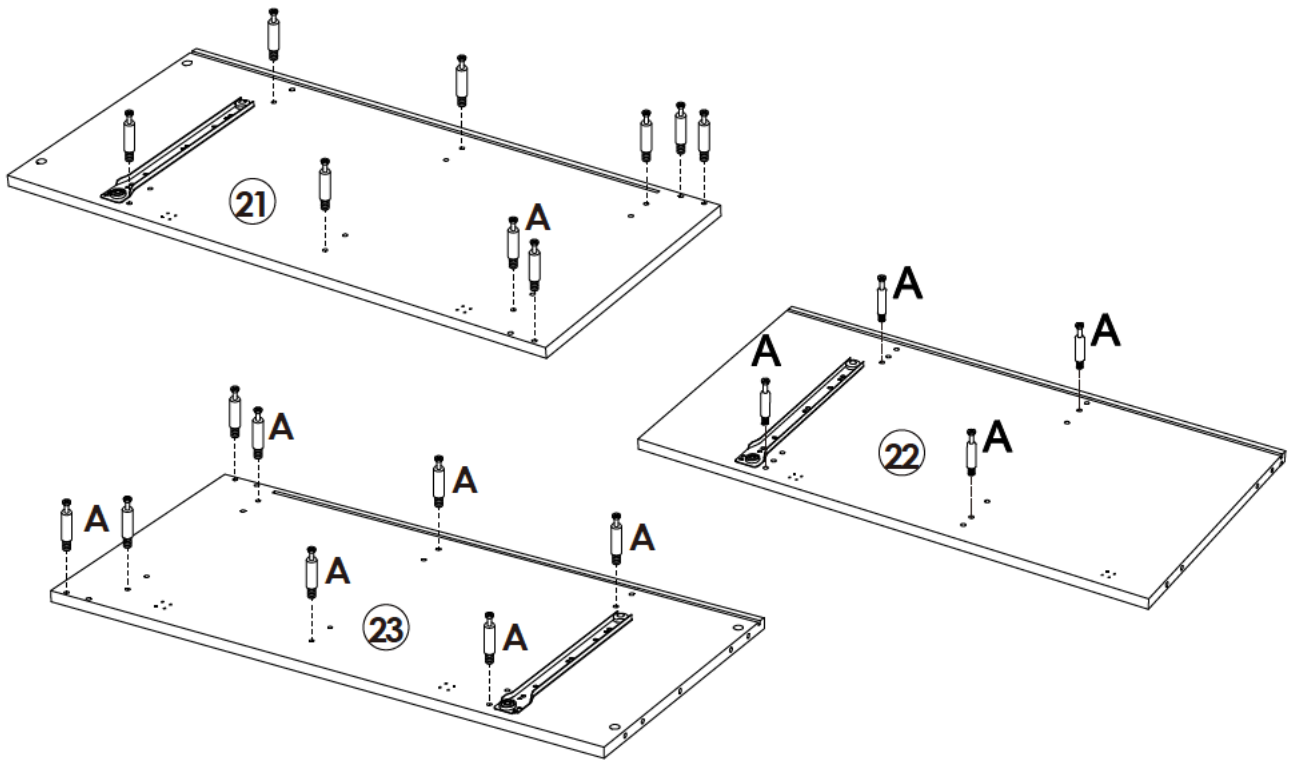


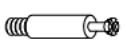
Turn over part 22 to install the other side.

	O x 6PCS
	CL x 1PC
	CR x 1PC

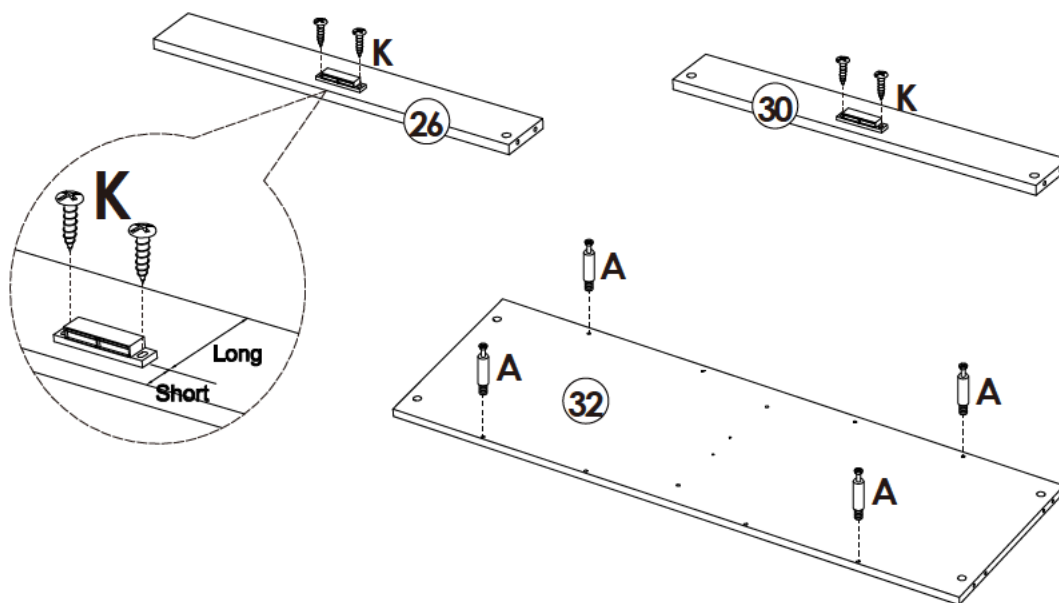
Assembly Steps(EN) / Montageschritte(DE)

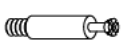
STEP 17



 A x 20PCS

STEP 18

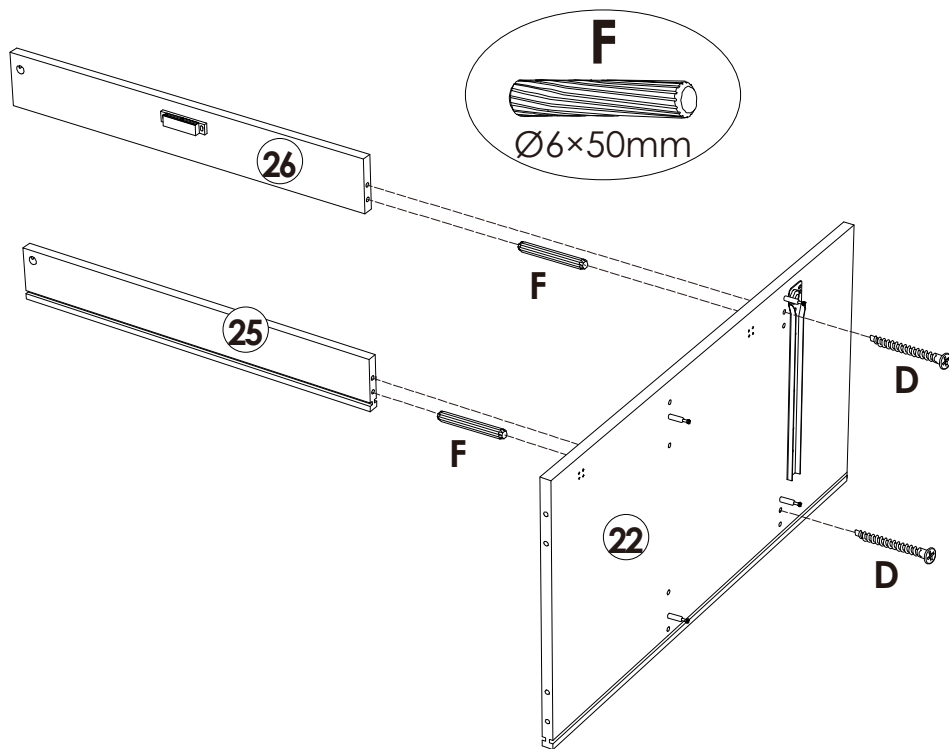


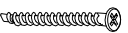

 A x 4PCS

 K x 2SETS

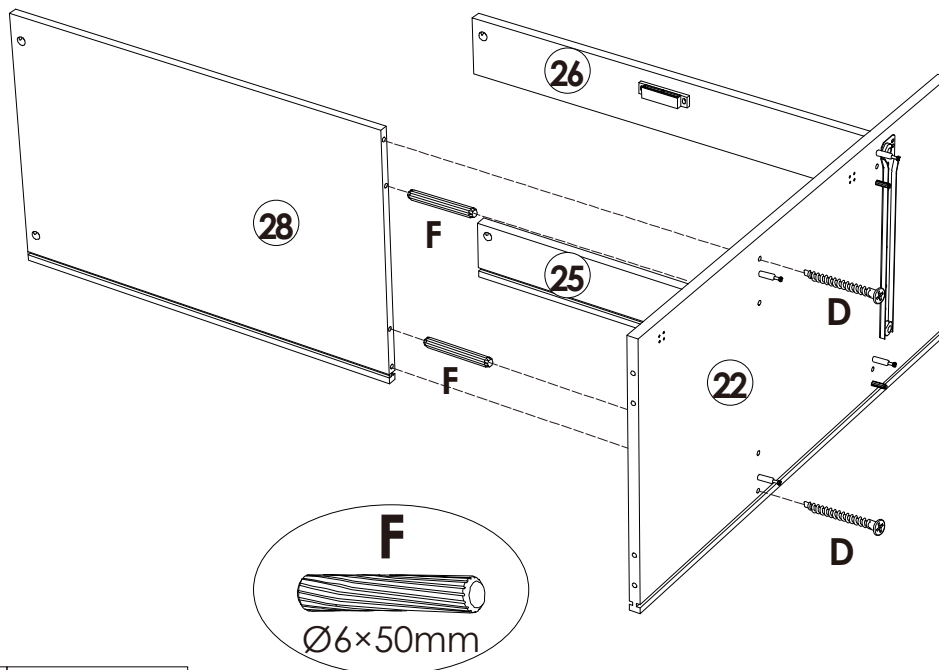
Assembly Steps(EN) / Montageschritte(DE)

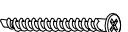

STEP 19



	D x 2PCS
	F x 2PCS

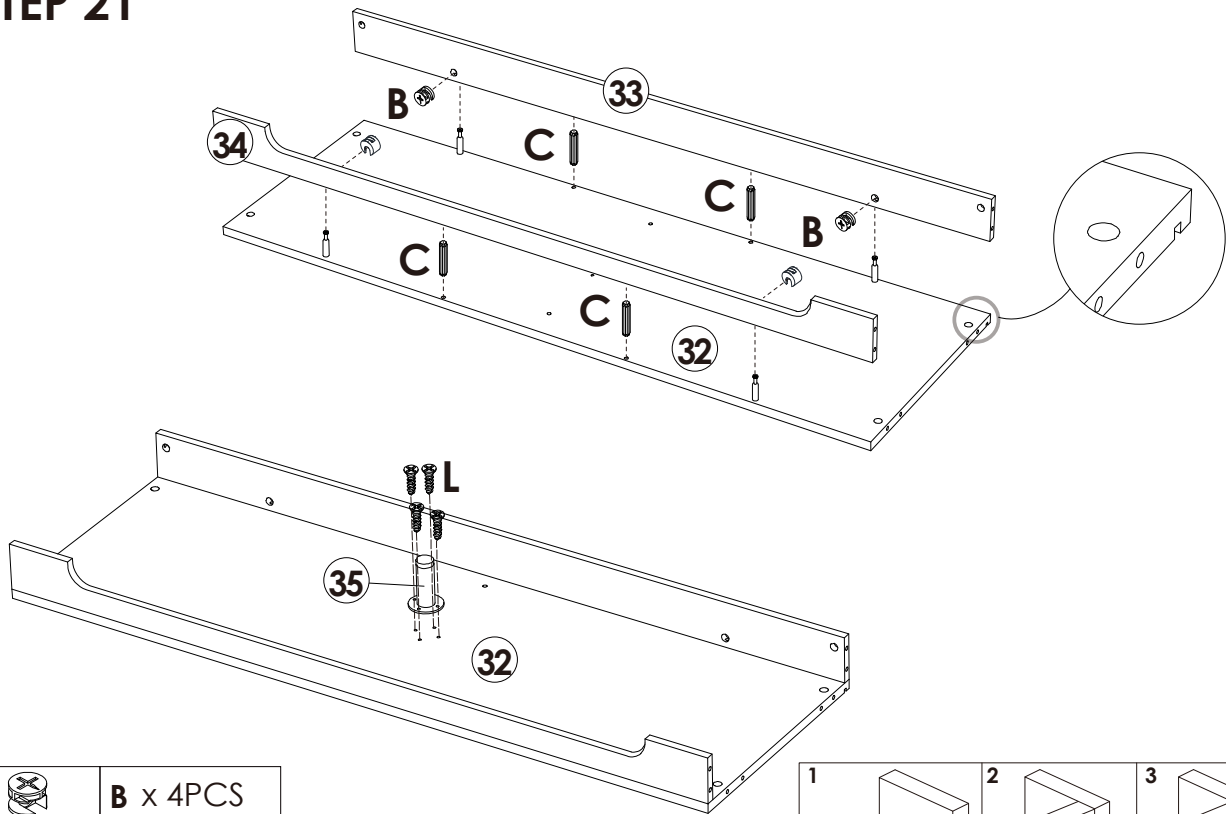
STEP 20






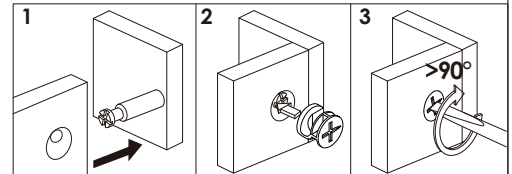
	D x 2PCS
	F x 2PCS

Assembly Steps(EN) / Montageschritte(DE)

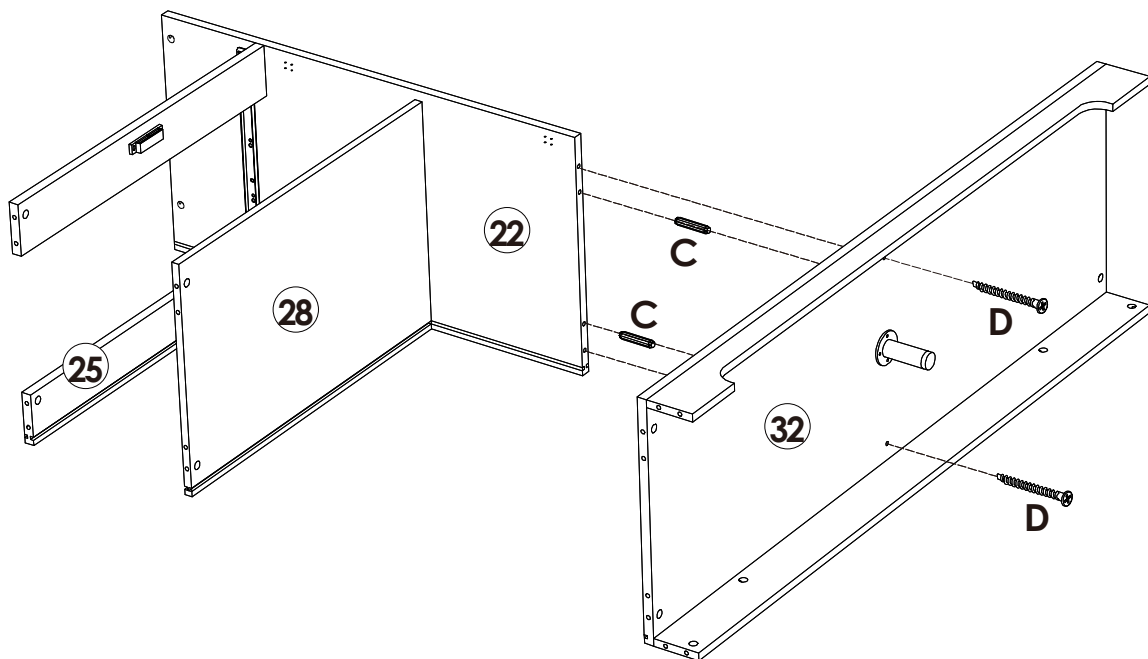
STEP 21


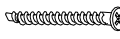


	B x 4PCS
	C x 4PCS
	L x 4PCS



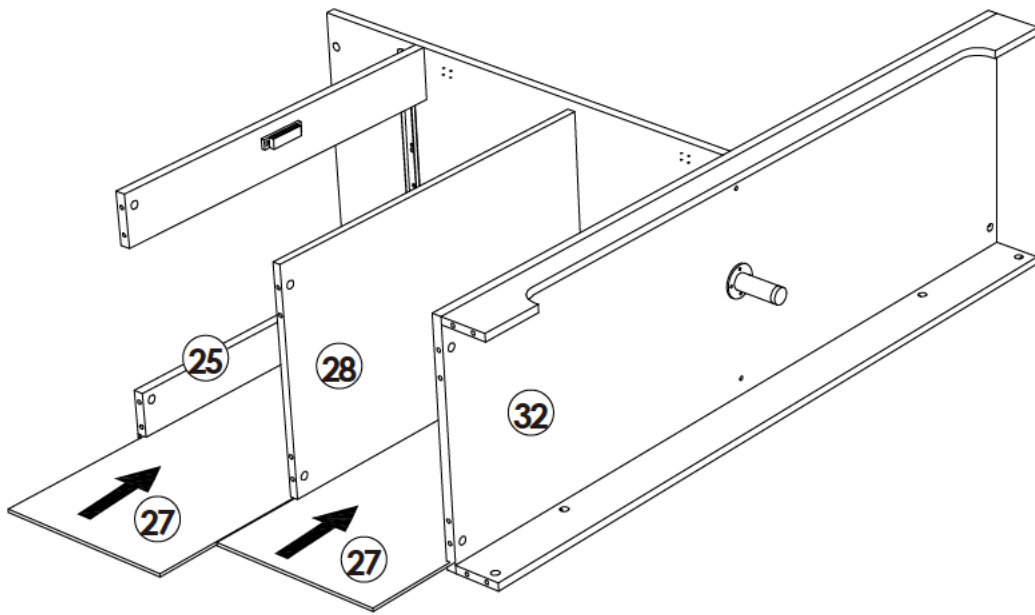
STEP 22



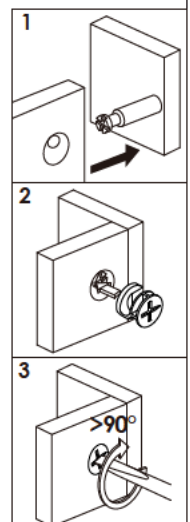
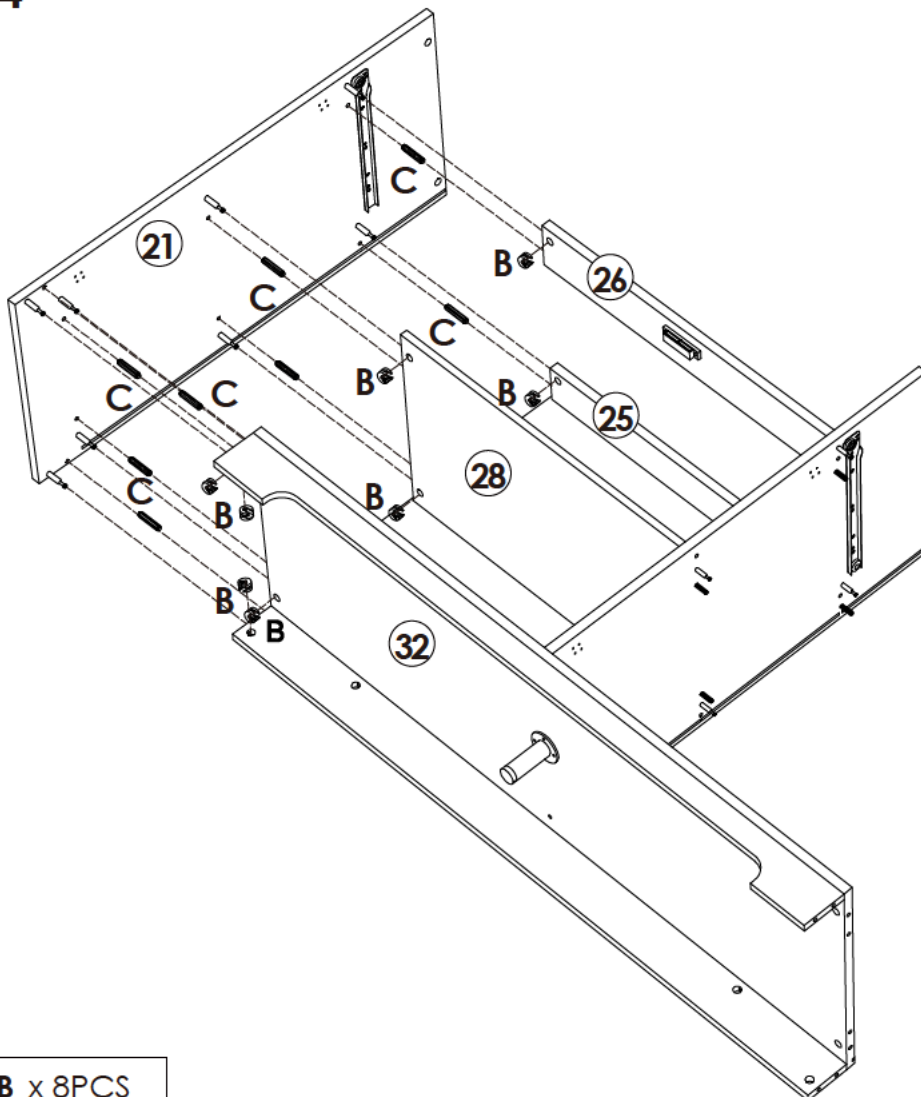
	C x 2PCS
	D x 2PCS



Assembly Steps(EN) / Montageschritte(DE)

STEP 23



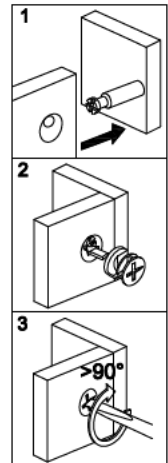
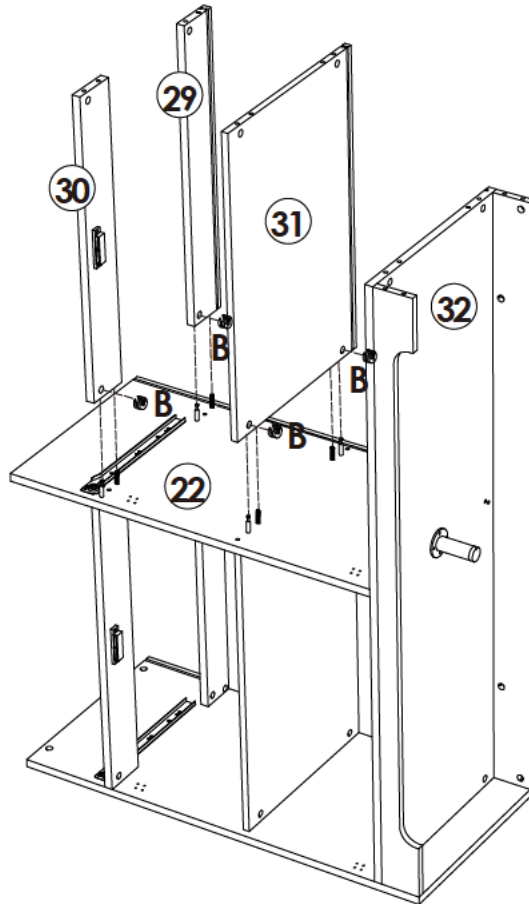
STEP 24



	B x 8PCS
	C x 8PCS

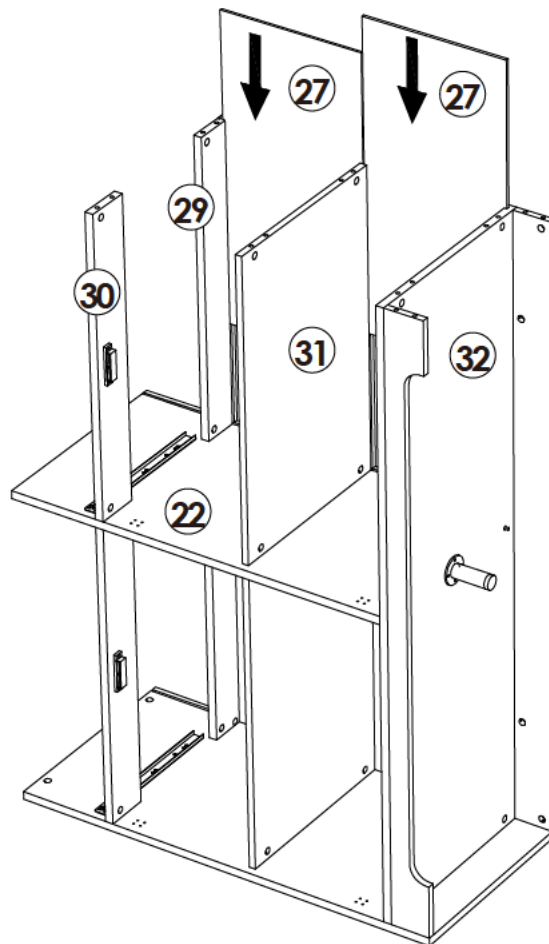
Assembly Steps(EN) / Montageschritte(DE)

STEP 25



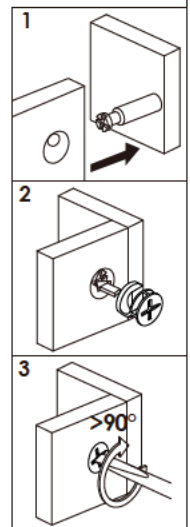
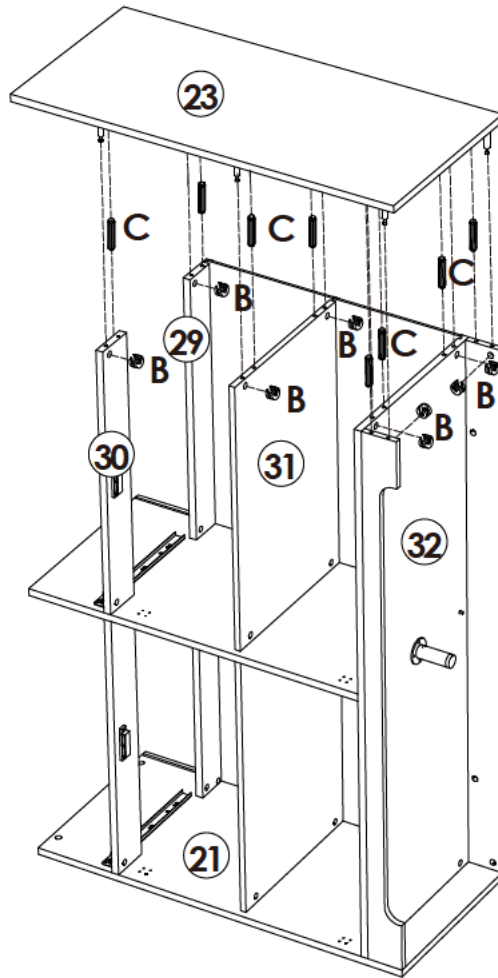
B x 4PCS



STEP 26



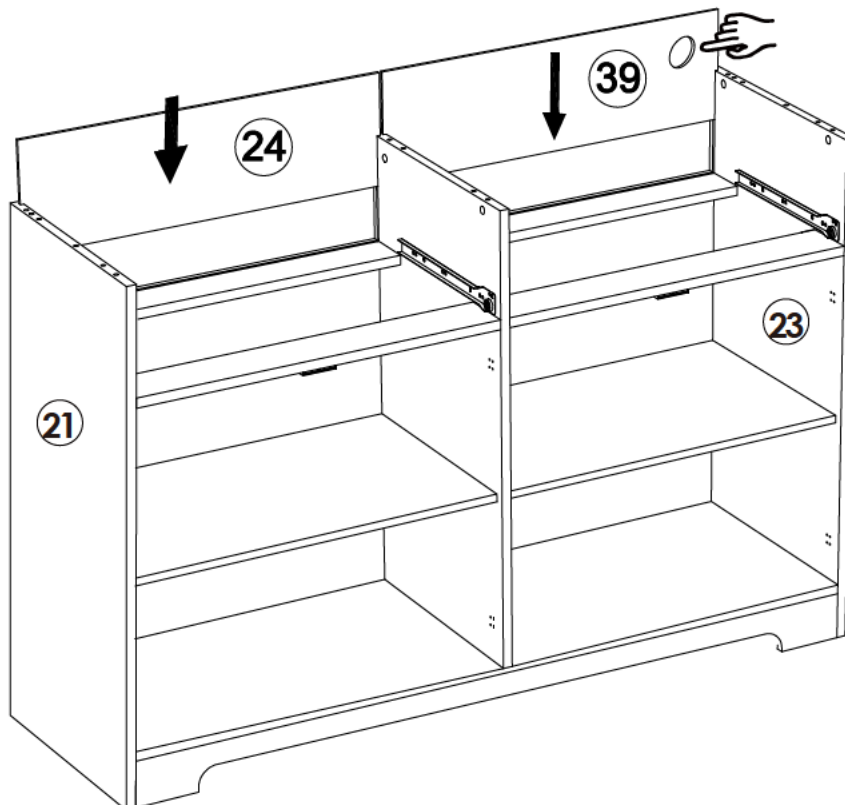
Assembly Steps(EN) / Montageschritte(DE)

STEP 27



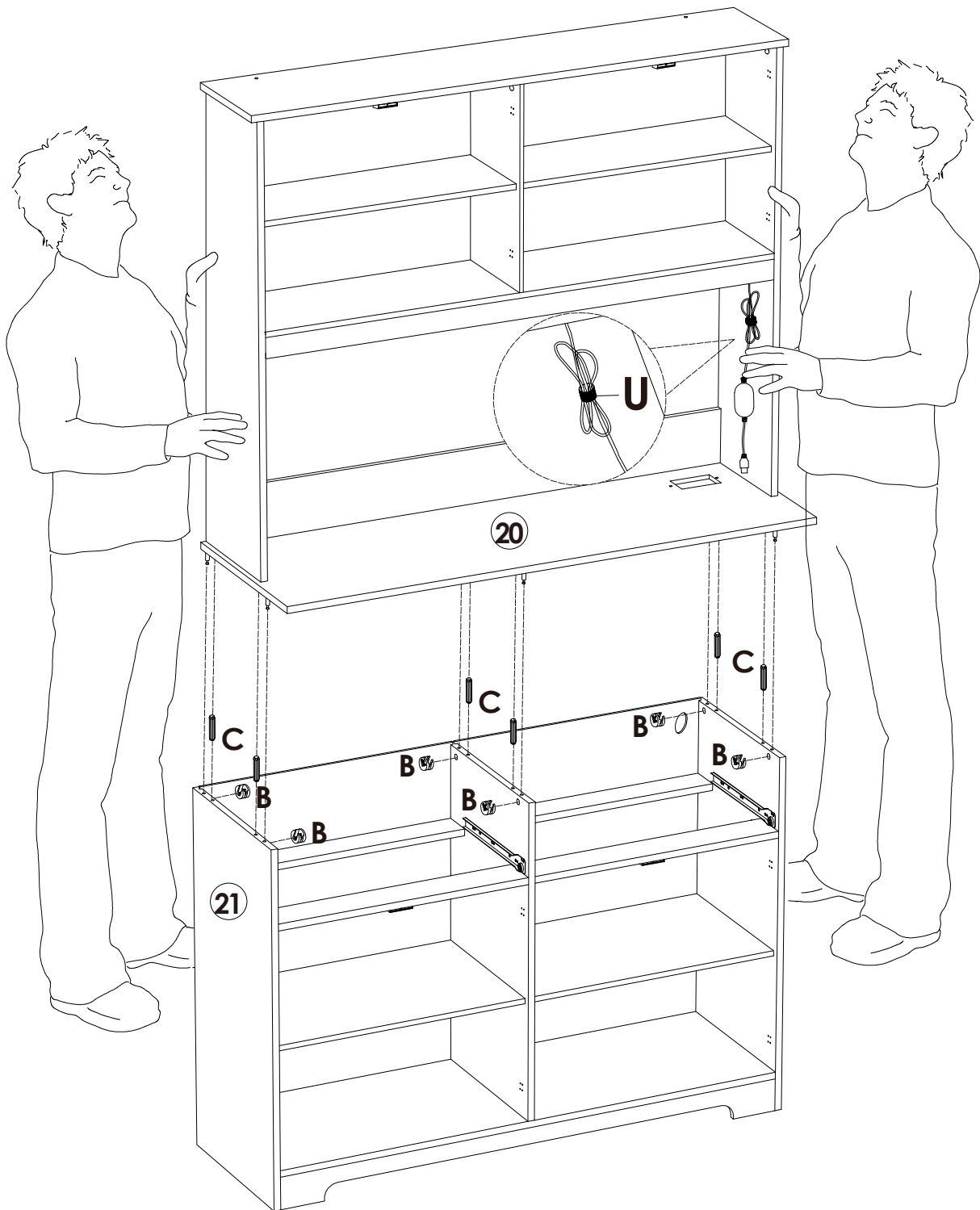
	B x 8PCS
	C x 8PCS




STEP 28

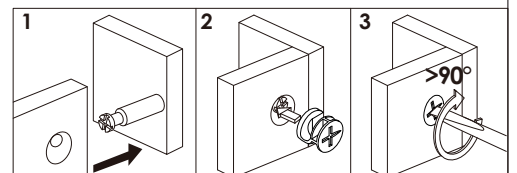


Assembly Steps(EN) / Montageschritte(DE)

STEP 29

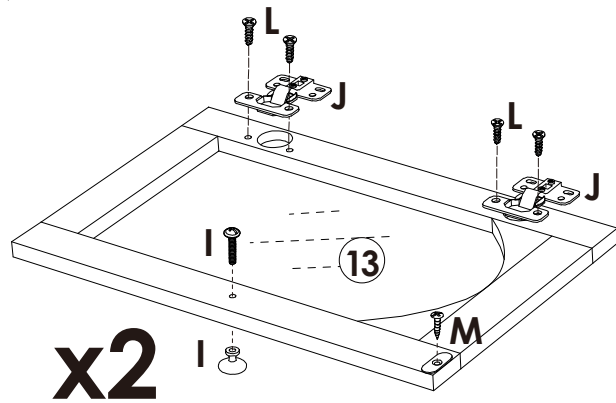
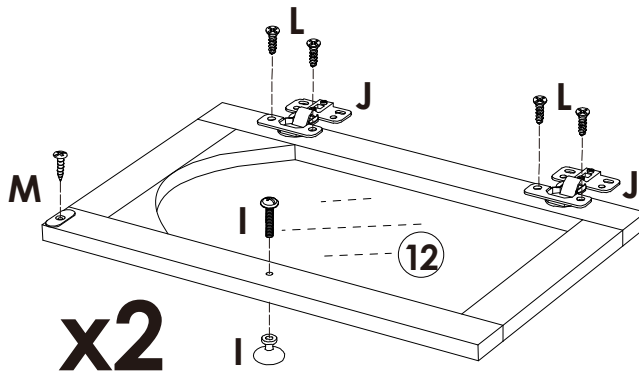






	B x 6PCS
	C x 6PCS
	U x 6PCS



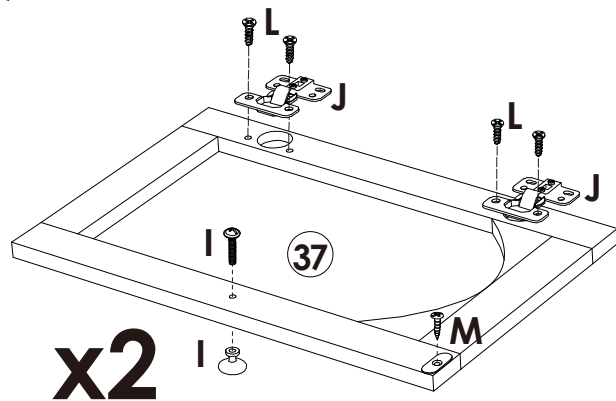
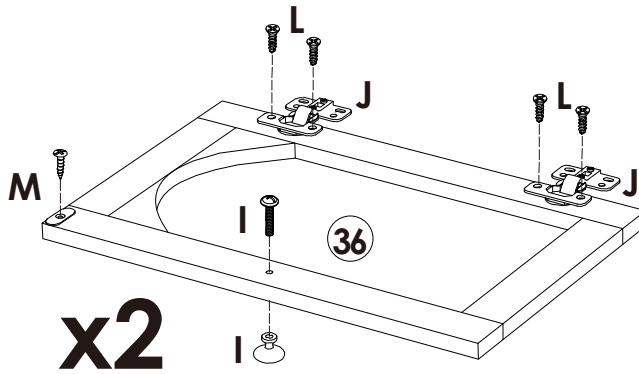
Assembly Steps(EN) / Montageschritte(DE)





STEP 30



	I x 4SETS
	J x 8PCS
	L x 16PCS
	M x 4SETS

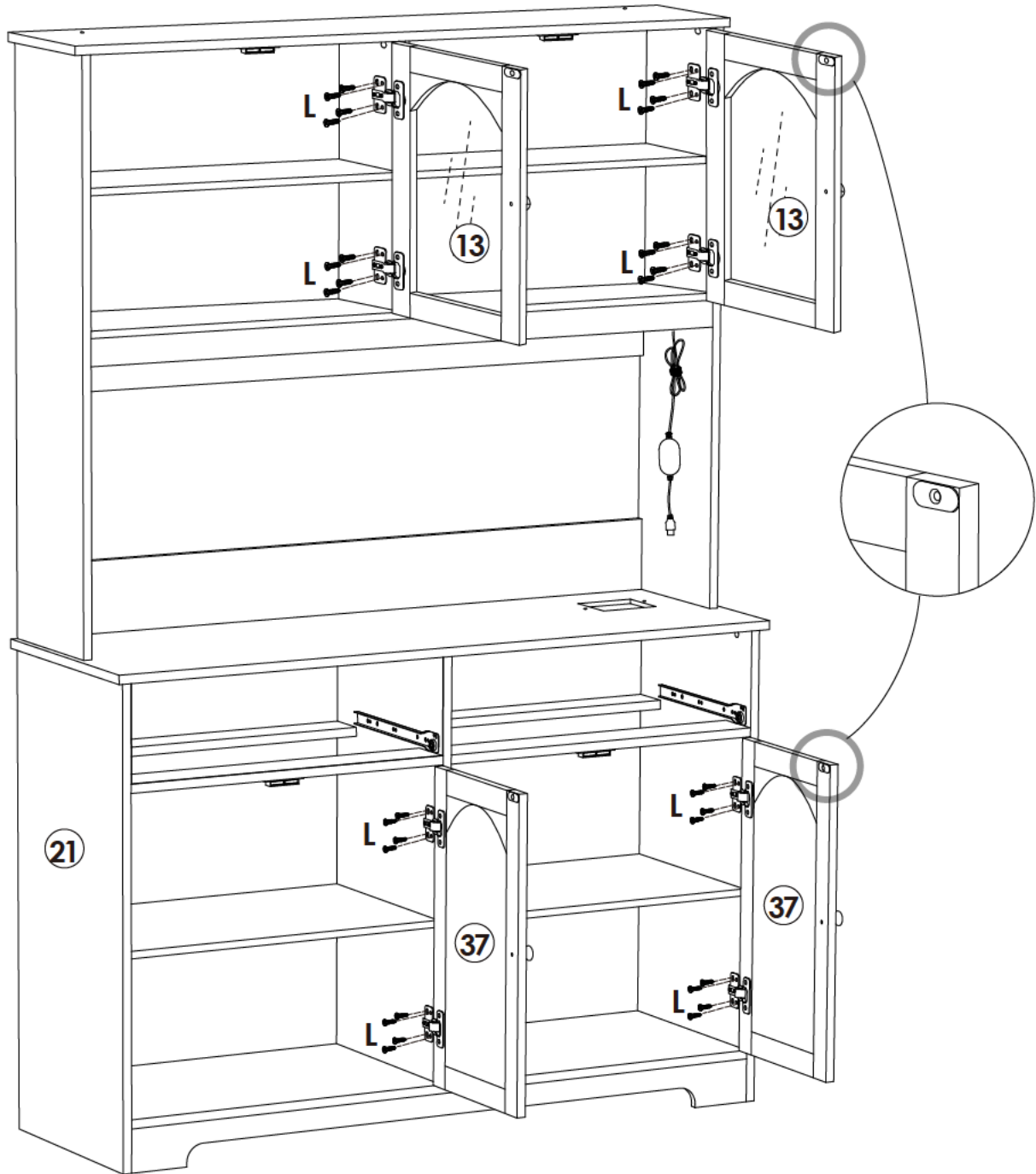
STEP 31



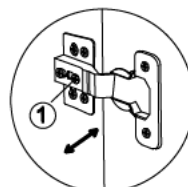
	I x 4SETS
	J x 8PCS
	L x 16PCS
	M x 4SETS

Assembly Steps(EN) / Montageschritte(DE)

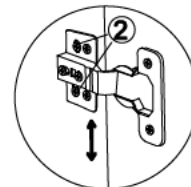
STEP 32



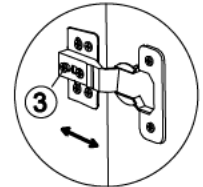
DOOR FITTING



To adjust in width



To adjust in height



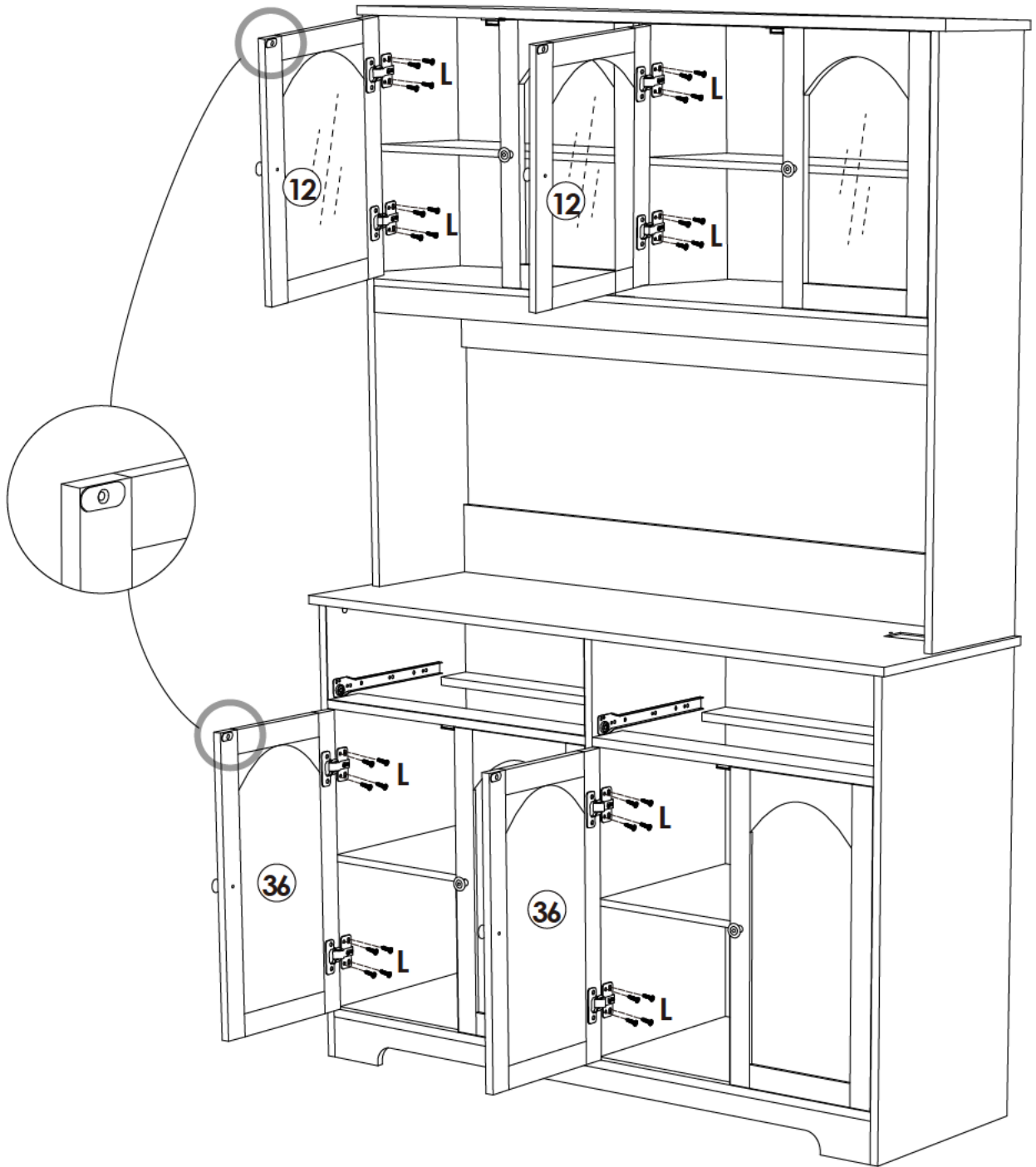
To adjust in depth



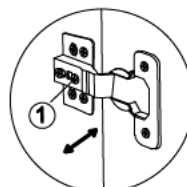
L x 32PCS

Assembly Steps(EN) / Montageschritte(DE)

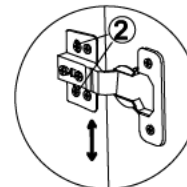
STEP 33



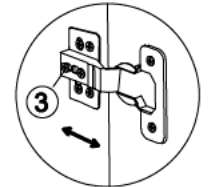
DOOR FITTING



To adjust in width



To adjust in height



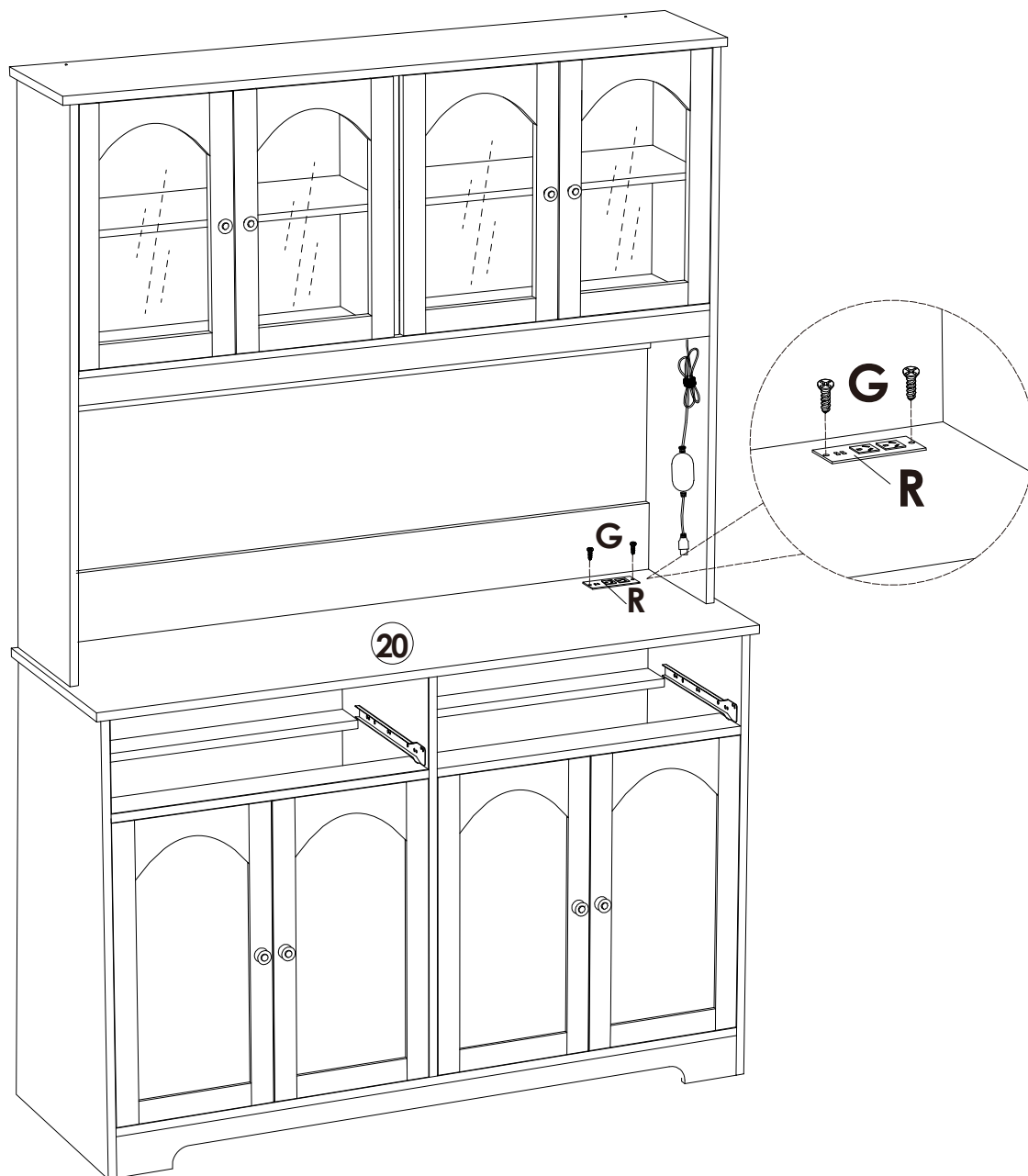
To adjust in depth





L x 32PCS

Assembly Steps(EN) / Montageschritte(DE)

STEP 34

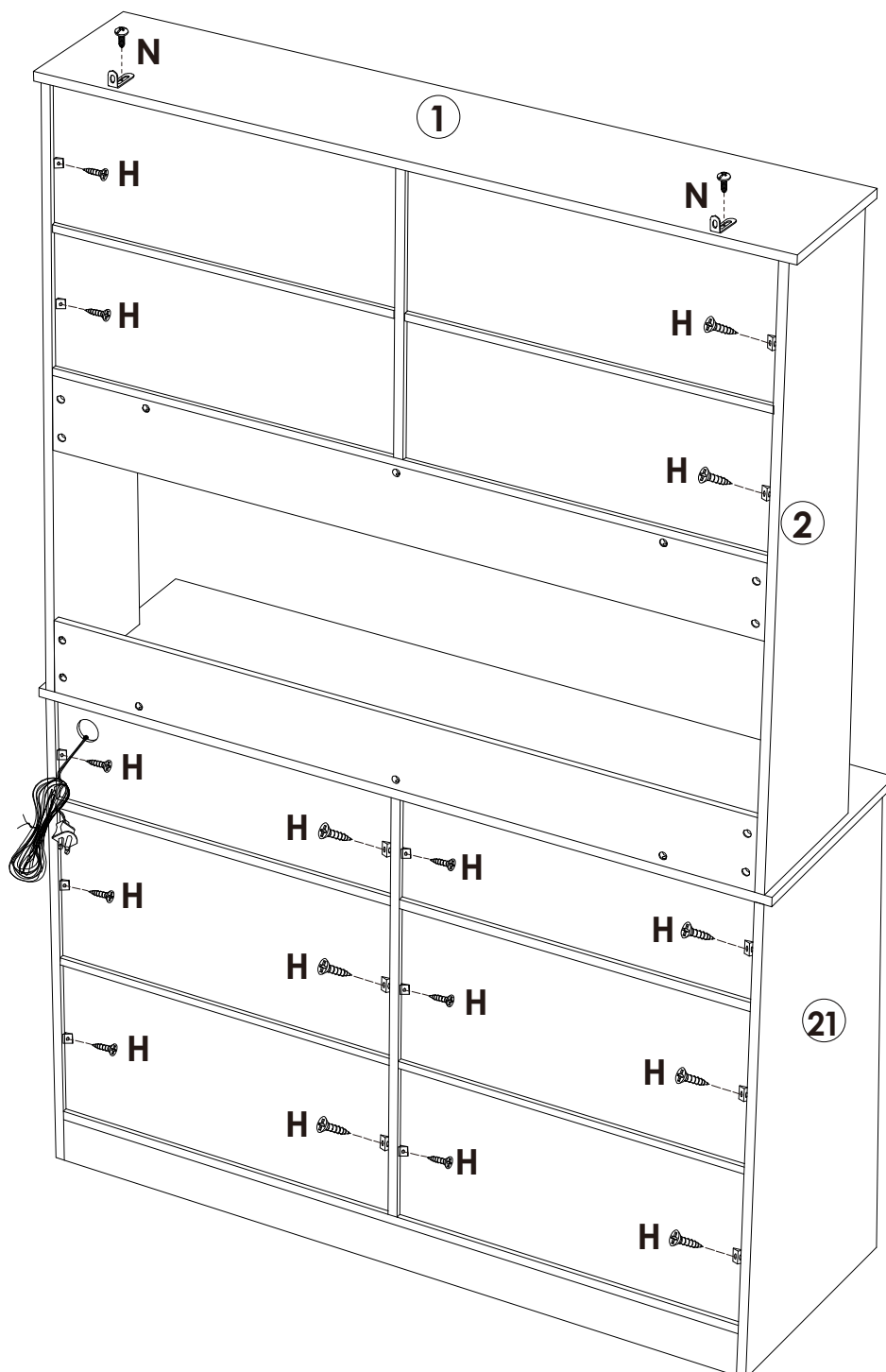




	G x 2PCS
	R x 1PC

Assembly Steps(EN) / Montageschritte(DE)

STEP 35

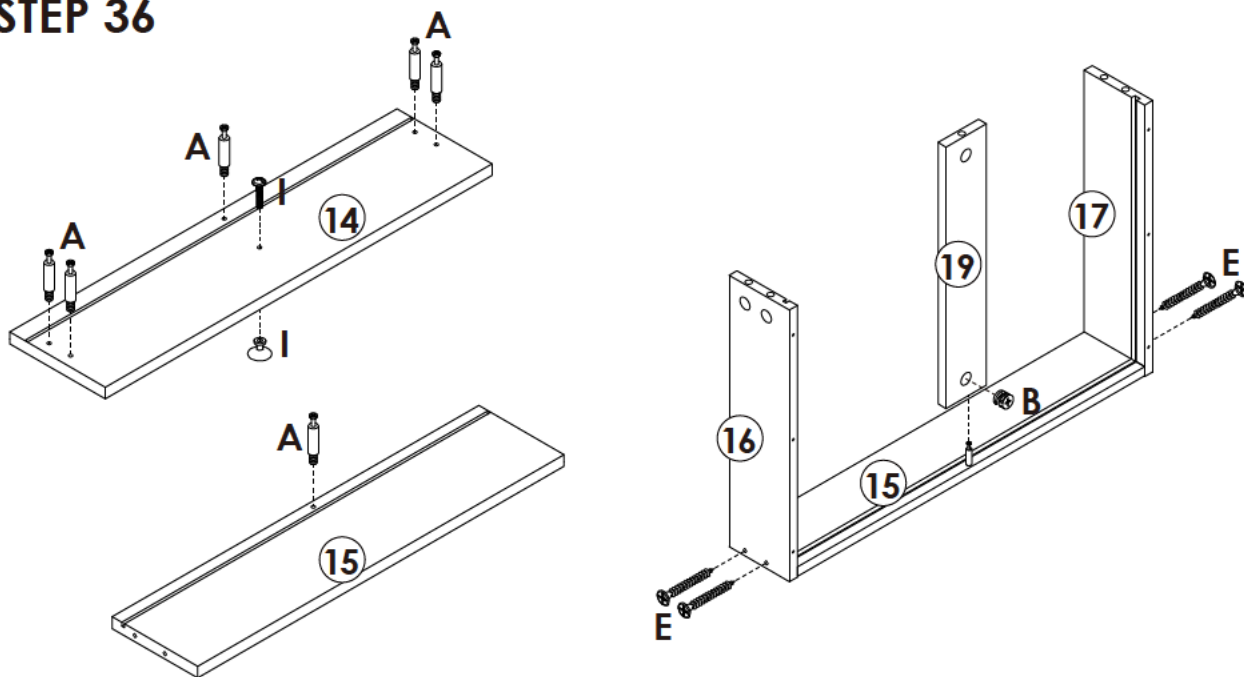
Lock the long side of the "N" L-shaped metal plate to the ① board with the "N" short screw

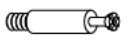

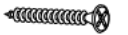



	H x 16SETS
	N x 2SETS

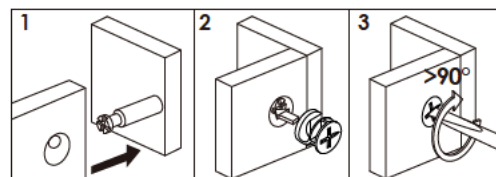
Assembly Steps(EN) / Montageschritte(DE)

STEP 36

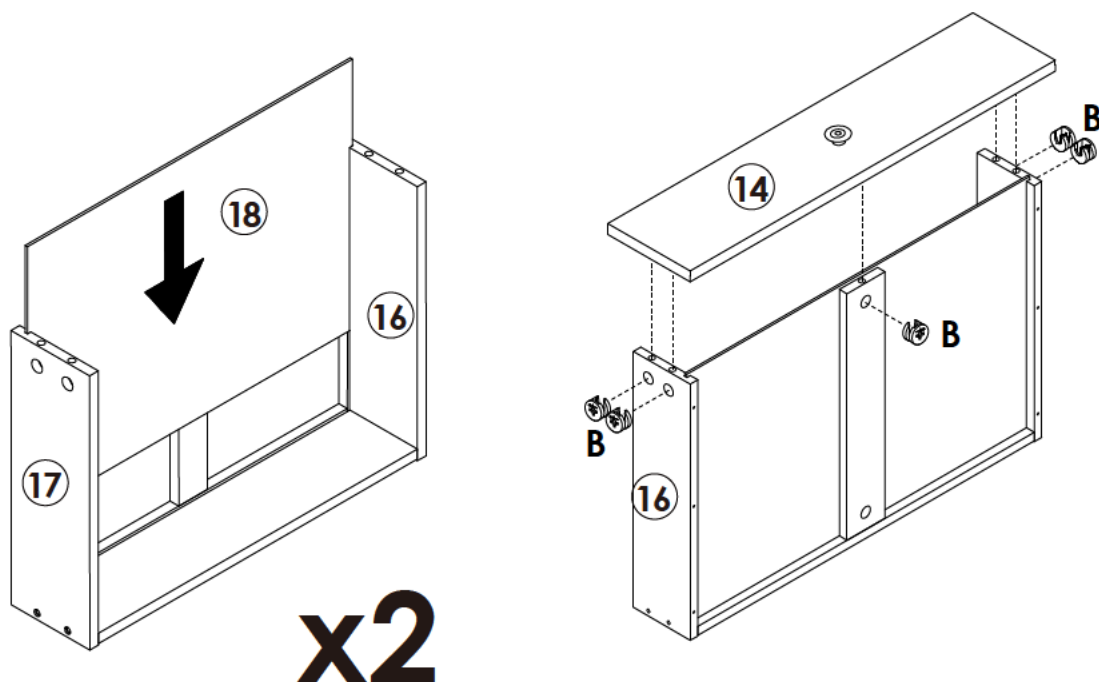


	A x 12PCS
	B x 2PCS
	E x 8PCS
	I x 2SETS


x2

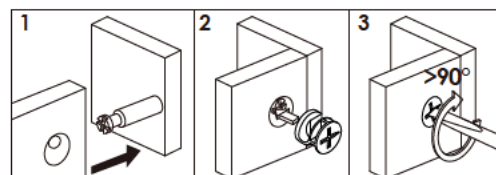


STEP 37



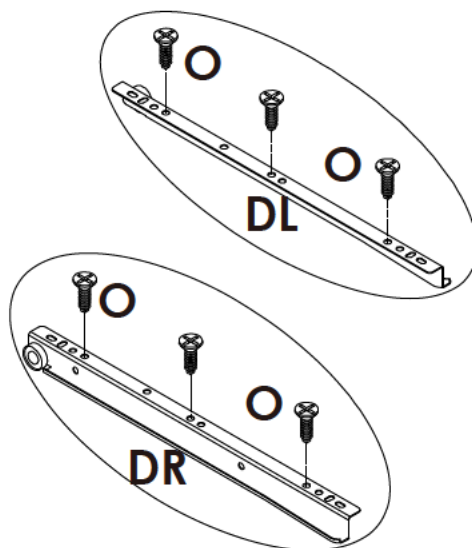
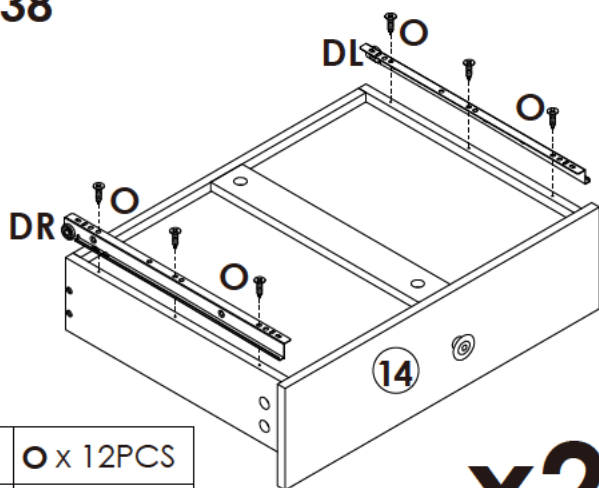
x2




	B x 10PCS
---	-----------



Assembly Steps(EN) / Montageschritte(DE)

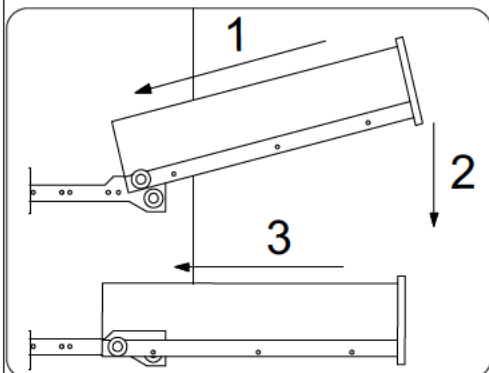
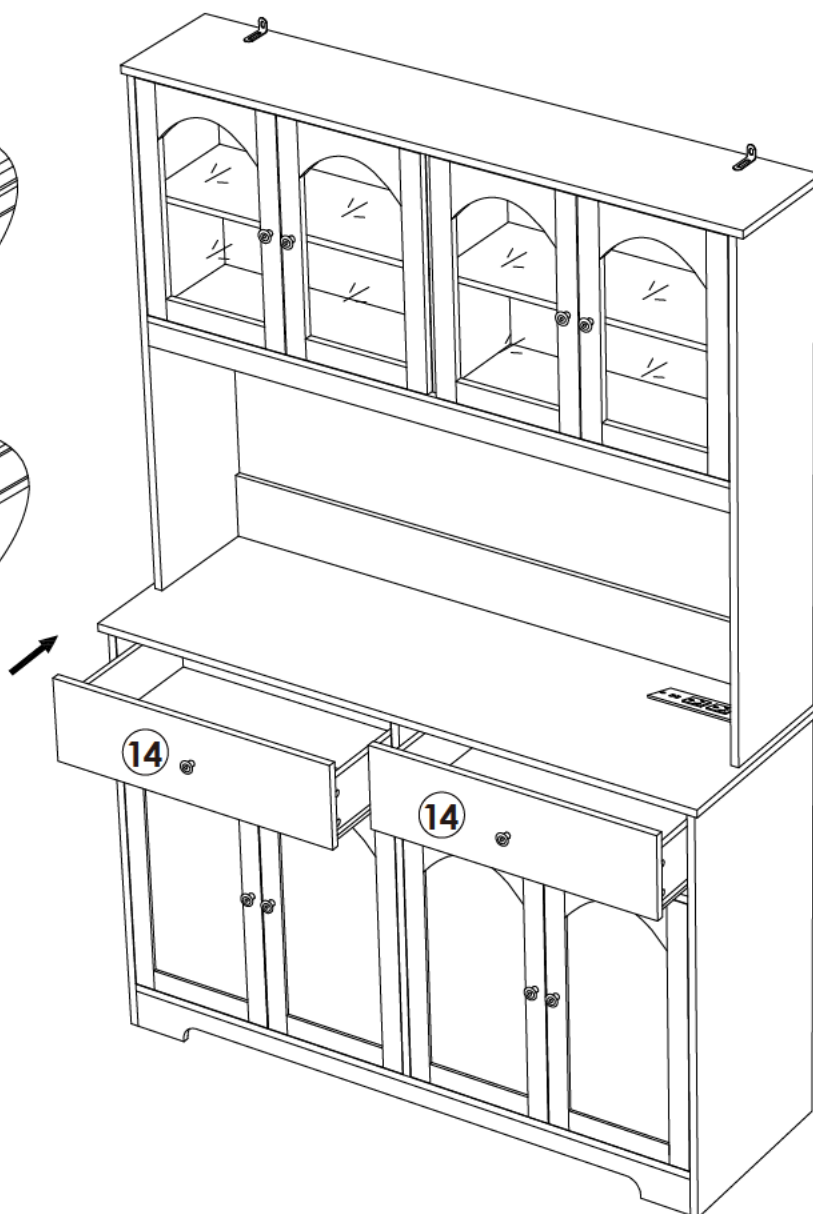
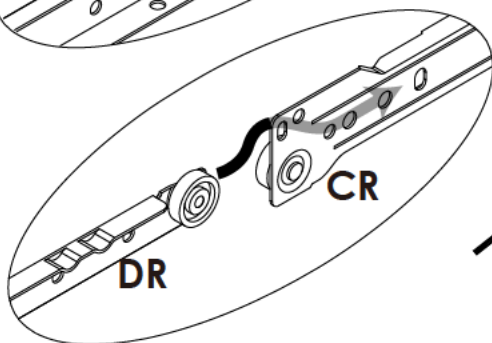
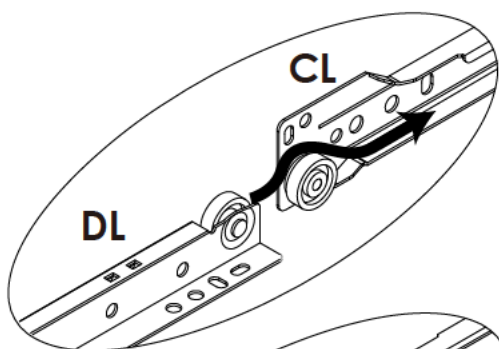
STEP 38



	O x 12PCS
	DL x 2PCS
	DR x 2PCS

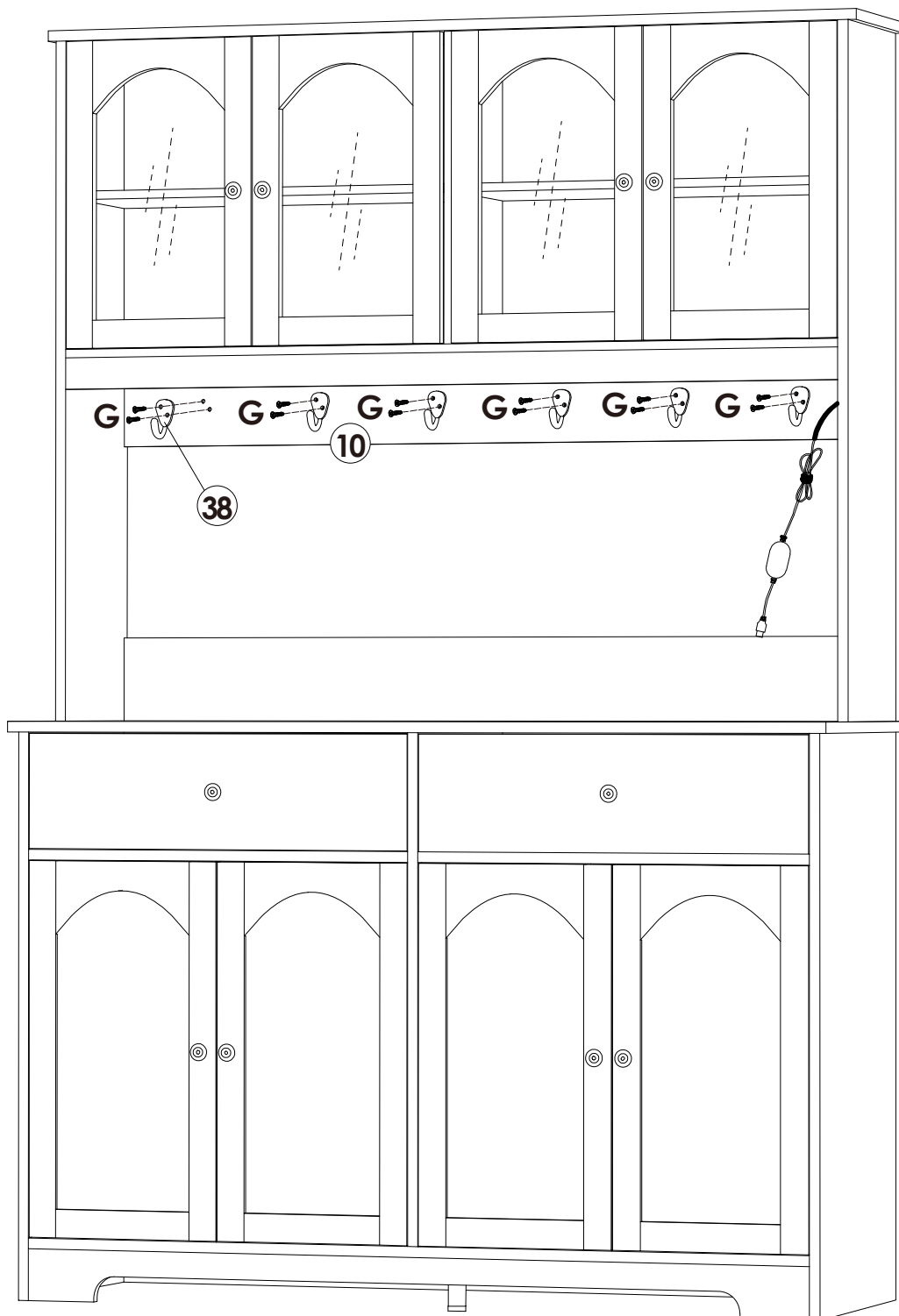
x2

STEP 39



Assembly Steps(EN) / Montageschritte(DE)

STEP 40

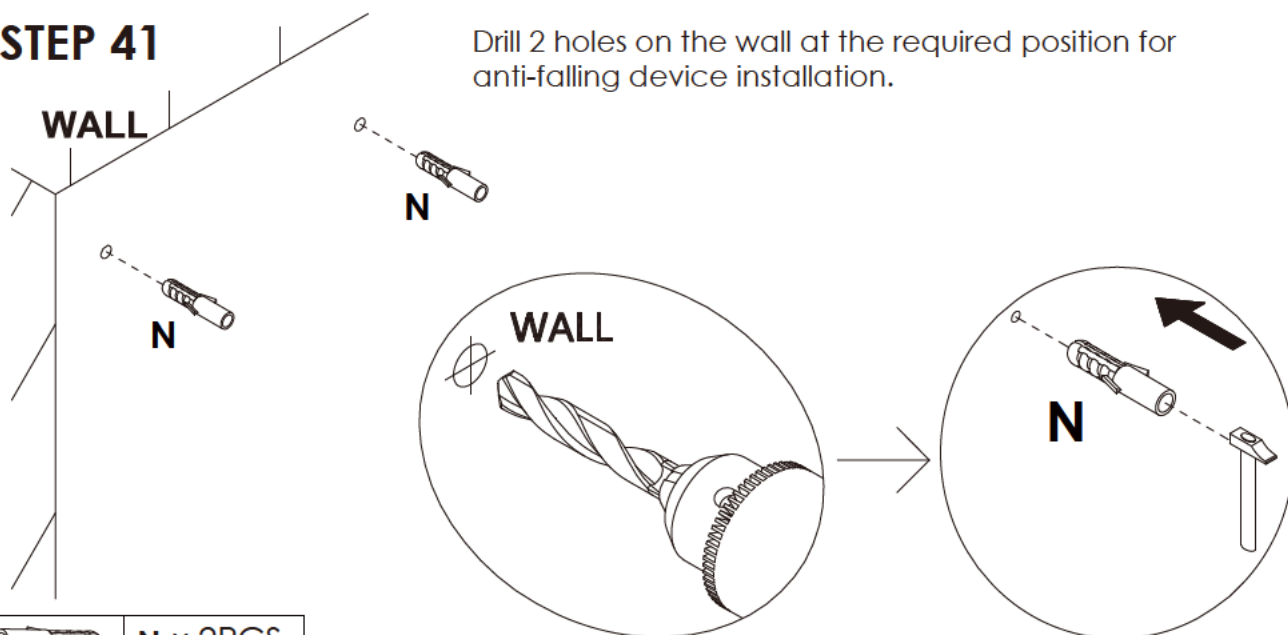



G x 12PCS

Assembly Steps(EN) / Montageschritte(DE)

STEP 41

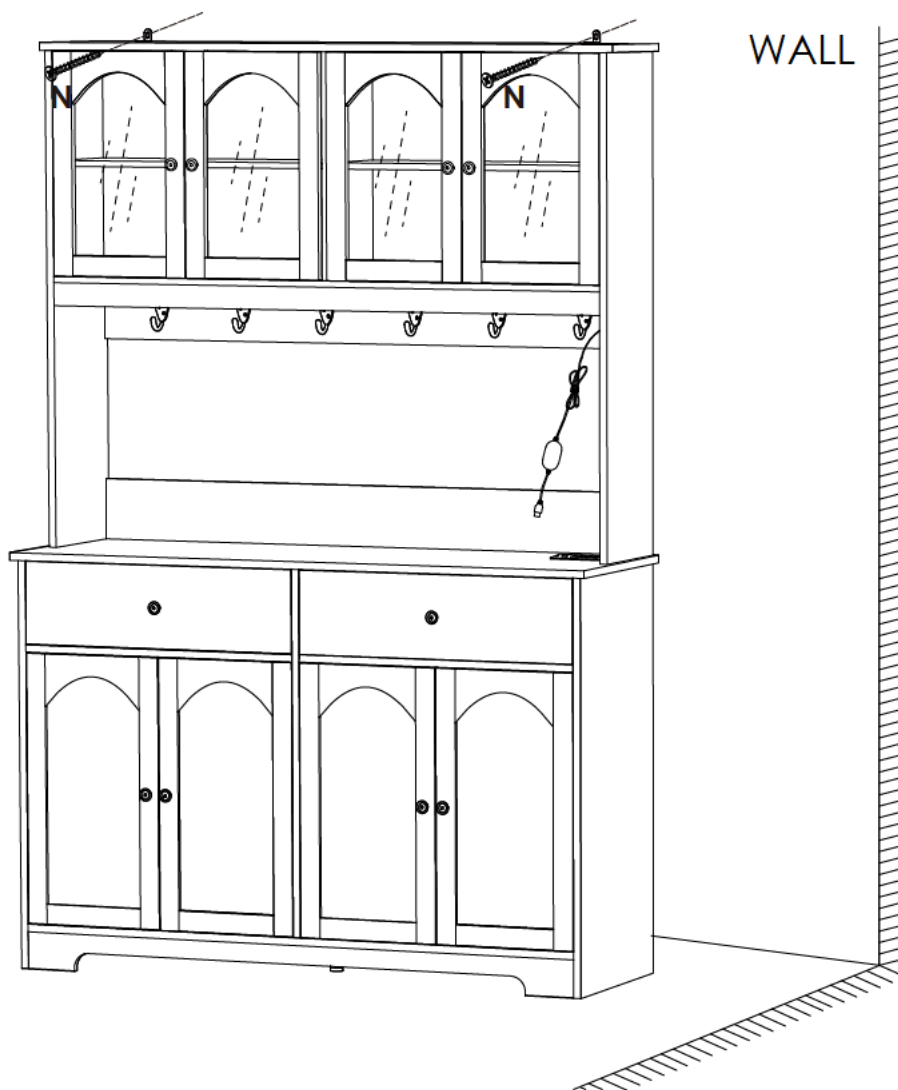
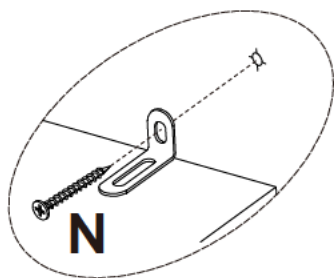
Drill 2 holes on the wall at the required position for anti-falling device installation.



 N x 2PCS

STEP 42

Move the cabinet to the required position, use the "N" long screw to fix the cabinet to the wall.

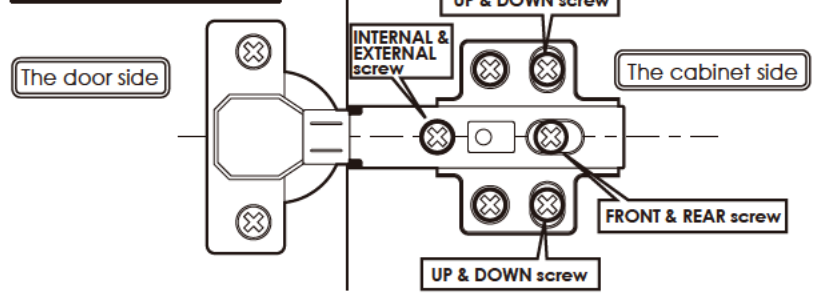


 N x 2PCS

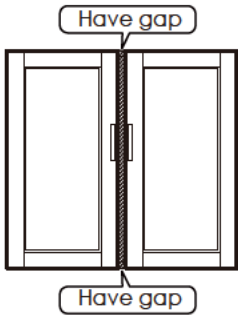
The ways to adjust the door

- Before adjusting the hinge, please check whether the cabinet is skewed.
- If the skew can not be repaired, please remove the anti-tipping device first, then adjust the cabinet to vertical position.
- Please adjust the hinge with the door open.
- Please operate it with more than 2 people, one person holds the door and the other one adjusts the screw.

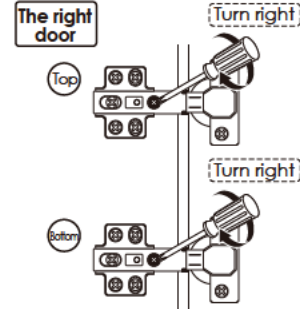
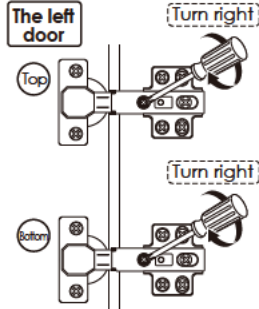
Components Name



Obvious gaps between doors or Doors don't look closed

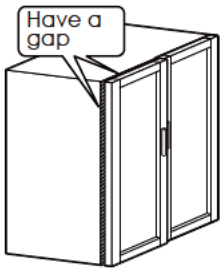


- 1 Turn "internal & external screw" to the right can make the door approach inside. Please adjust the doors little by little.



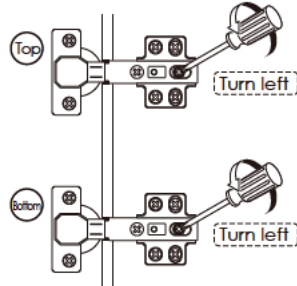
※ If the 2 doors are overlap, please turn the "internal & external screw" to the left.

When door is crooked



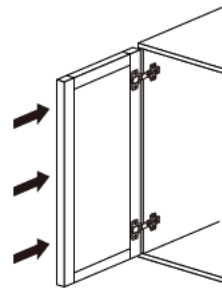
Please take the following steps to adjust first.

- 1 Rotate the "front and rear screws" to the left

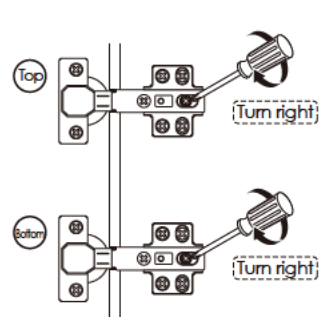


※ After adjusting the "front and rear screw", the door still does not change, please turn the "internal & external screw" to the right slightly.

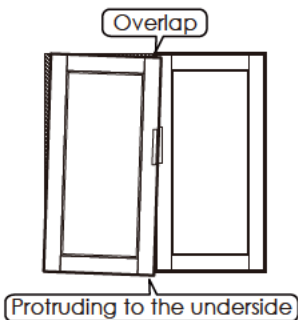
- 2 Push the door to the cabinet



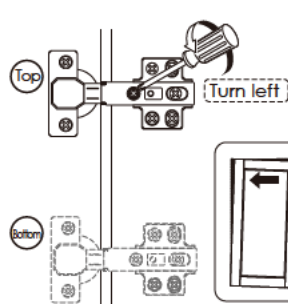
- 3 Rotate the "front and rear screws" to the right



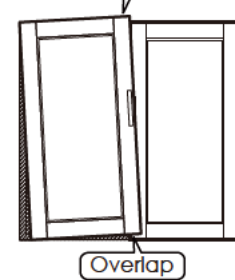
When door is leaning



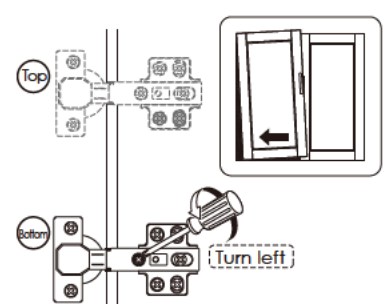
- 1 Turn "internal & external screw" to the left can make the top of the door tilted outward.



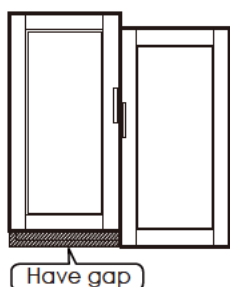
Protruding to the upside



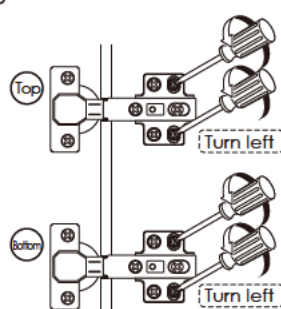
- 1 Turn "internal & external screw" to the left can make the bottom of the door tilted outward.



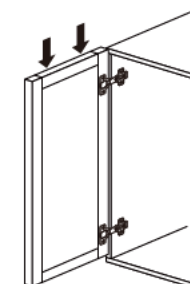
When the door is higher on top



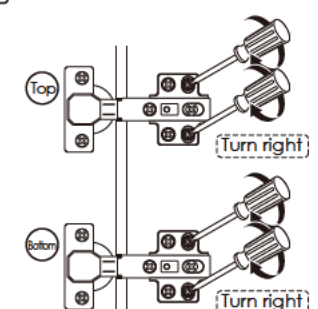
- 1 Turn "up & down screw" to the left



- 2 Lower the door's height so that 2 doors are of the same height.



- 3 Turn "up & down screw" to the right



※ If the door is lower on bottom, please lift up the left door slightly on step 2



WARNING



Children have died from furniture tipover. To reduce the risk of furniture tipover:

- **ALWAYS** install Anti-tip device provided.
- **NEVER** put a TV on this product.
- **NEVER** allow children to stand, climb or hang on any drawers, doors, or shelves.
- **NEVER** open more than one drawer at a time.
- Place heaviest items in the lowest drawers.



***This is a permanent label.
Do not remove!***