

Assembly Instructions

Thank you for
purchasing a
product

For a chance to win a voucher
simply post a picture of your new product on
your preferred social channels tagging .
One winner will be selected at random each month.

*Terms & conditions may apply.

ASSEMBLY INSTRUCTIONS **FABRIC CHAIR GREY**

IMPORTANT : READ THESE INSTRUCTIONS CAREFULLY BEFORE ATTEMPTING TO ASSEMBLE OR USE YOUR FABRIC CHAIR GREY.

PLEASE KEEP THESE INSTRUCTIONS FOR FUTURE REFERENCE.

ASSEMBLY:

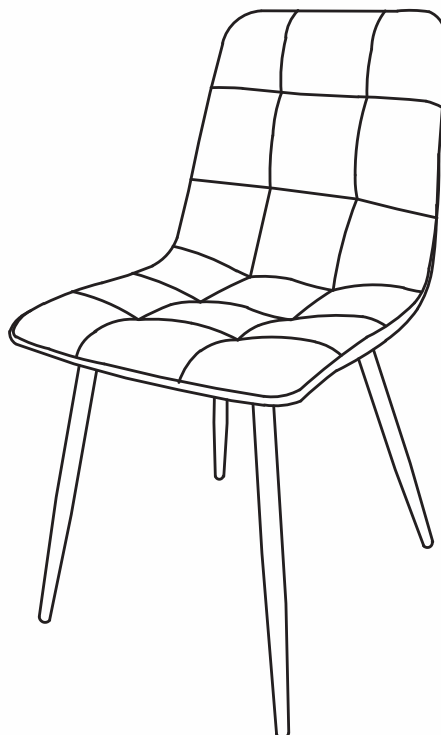
Assembly should be carried out with this item laying flat, not standing upright.
Assemble on a soft, clean surface to prevent damages.
Please use an eraser to remove the numbers printed on the pieces.

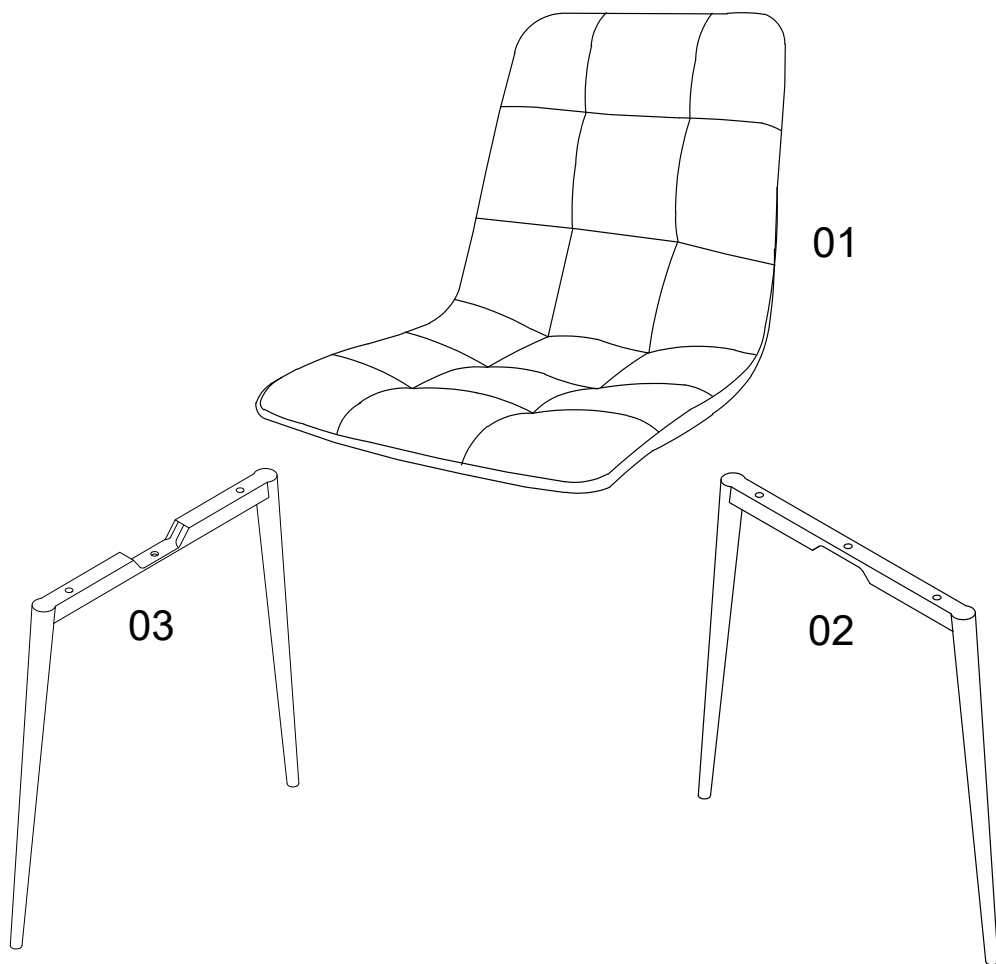
HEALTH & SAFETY:

DO NOT use this product if any parts are missing, damaged or worn.
DO NOT use this product unless all fixings are secured.
Always use on a level, even surface.





CARE & MAINTENANCE:

Periodically check all screws & fixings to ensure they are secure.
DO NOT push this product as this will cause damage.
Keep any sharp objects away from this product.





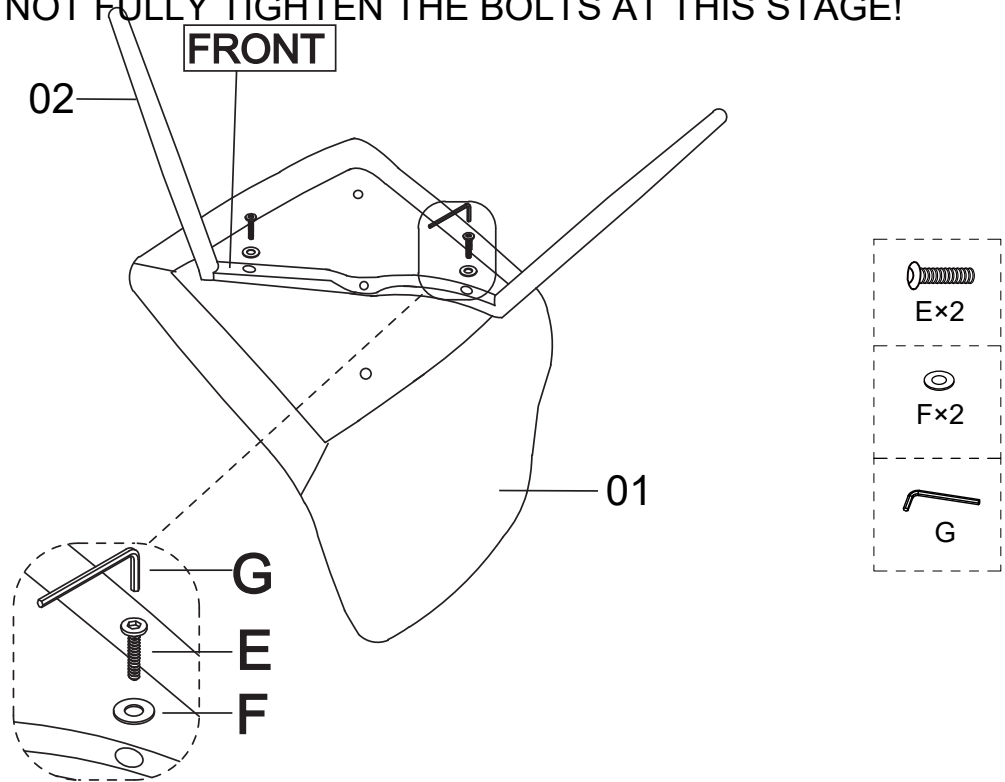
Parts List			
Part	Description	Box	Qty
01	Seat	1	1
02	Leg-1	1	1
03	Leg-2	1	1

Hardware List				
Part	Description			Qty
D	Bolt	M6x20mm		1
E	Bolt	M6x35mm		4
F	Washer	16mm		5
G	Allen key	M4		1

**** Some screws and wooden dowel may remain.**

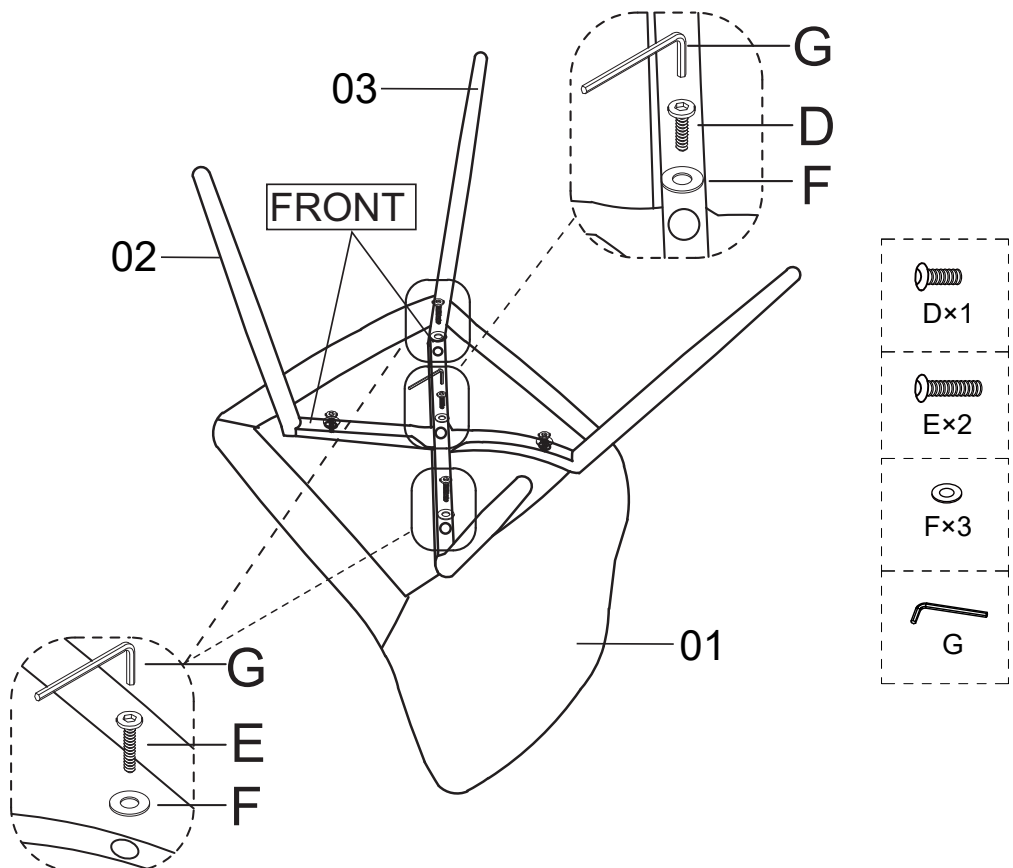
Step 1: Please attach the Leg(02) to the Seat(01) with hardware E&F.

ATTENTION: DO NOT FULLY TIGHTEN THE BOLTS AT THIS STAGE!

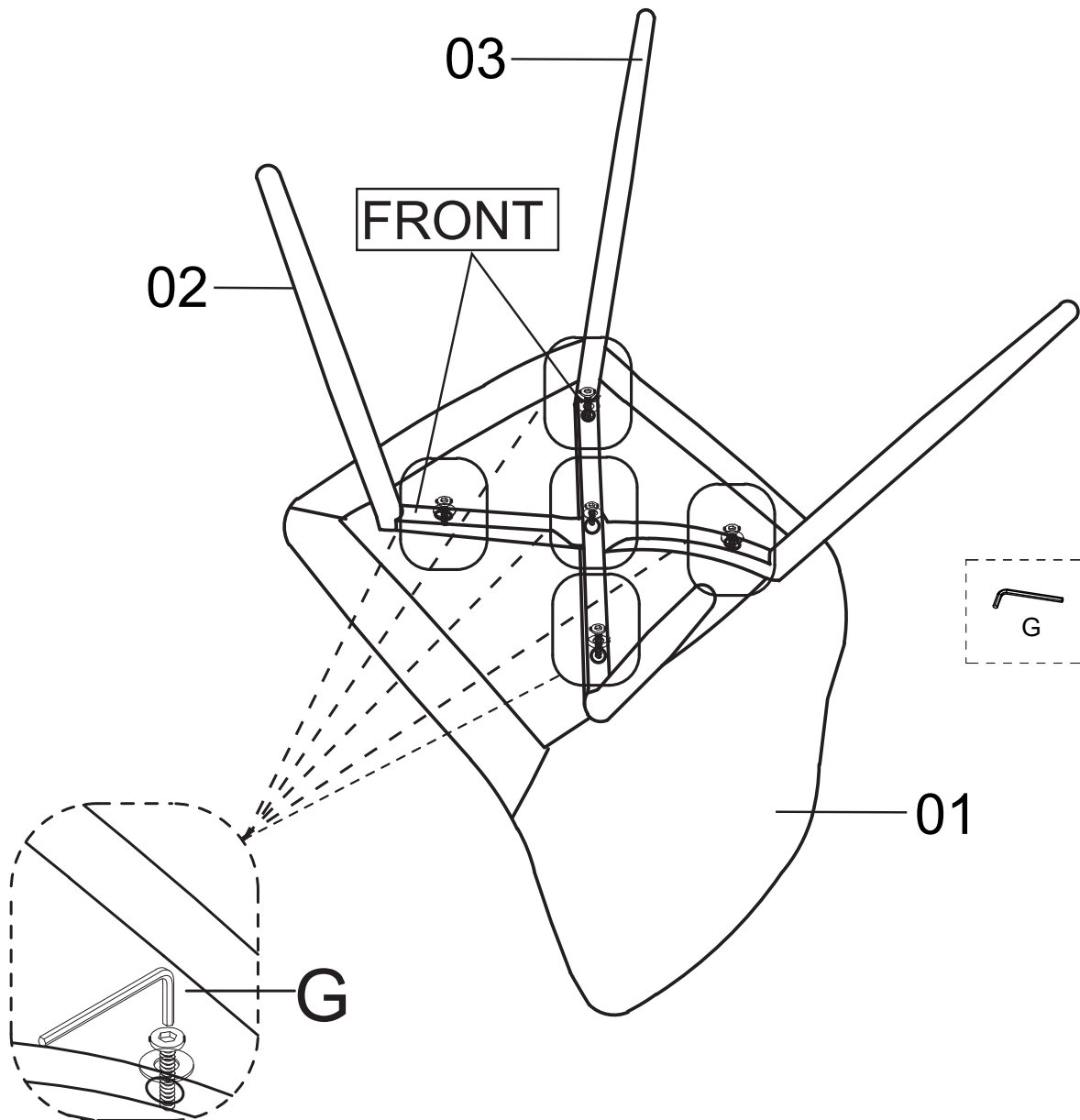


Step 2: Please attach the Leg(03) to the Seat(01) with hardware D,E&F.

ATTENTION: DO NOT FULLY TIGHTEN THE BOLTS AT THIS STAGE!



Step 3: Please fully tighten all the bolts.



Additional Information:

- If you have any issues with your item please contact the retailer directly you purchased it from who will be able to resolve any issues with Birlea.
- Why don't you send us photos of your assembled furniture to be shared in our feature on instagram.
- **WARNING:** If this bed is placed on a non-carpeted floor you must place some protection under all leg to stop the bed from moving. If this is not adhered to there is no guarantee if the bed frame collapse.